



US00D898879S

(12) **United States Design Patent** (10) **Patent No.:** **US D898,879 S**
Kalb et al. (45) **Date of Patent:** **** Oct. 13, 2020**

(54) **MODULAR TOOLING COUPLER**

FOREIGN PATENT DOCUMENTS

(71) Applicant: **Norgren Automation Solutions, LLC**,
Saline, MI (US)

WO 2014045390 A1 3/2014
WO 2014156508 A1 10/2014

(72) Inventors: **James R. Kalb**, Petersburg, MI (US);
Michael Thomas Charlton, Clinton,
MI (US)

OTHER PUBLICATIONS

Invitation to Pay Additional Fees, and, Where Applicable, Protest
Fee dated Jun. 28, 2016, pp. 3-4, International Patent Application
No. PCT/US2016/018025.

(73) Assignee: **Norgren Automation Solutions, LLC**,
Saline, MI (US)

Primary Examiner — Sandra S Snapp

Assistant Examiner — Ieisha N Price

(**) Term: **15 Years**

(74) *Attorney, Agent, or Firm* — Young Basile Hanlon &
MacFarlane, P.C.

(21) Appl. No.: **29/602,497**

(22) Filed: **May 1, 2017**

(51) **LOC (12) Cl.** **23-01**

(57) **CLAIM**

(52) **U.S. Cl.**

The ornamental design for a modular tooling coupler, as
shown and described.

USPC **D23/262**; D8/382

(58) **Field of Classification Search**

USPC D23/249, 259, 260, 262, 268, 269;
D8/382, 394, 396

CPC F16L 37/0841; F16L 37/35; F16L 37/34;
F16L 37/142; F16L 37/413; F16L 37/30;
F16L 17/025; F16L 21/022; F16L 5/02;
F16L 5/08; F16L 5/10; F16J 15/125

DESCRIPTION

See application file for complete search history.

FIG. 1 is a front perspective view of a modular tooling
coupler according to a first embodiment.

FIG. 2 is a top side view of the modular tooling coupler of
FIG. 1.

FIG. 3 is a bottom side view of the modular tooling coupler
of FIG. 1.

FIG. 4 is a front side view of the modular tooling coupler of
FIG. 1.

FIG. 5 is a back view of the modular tooling coupler of FIG.
1.

FIG. 6 is a left side view of the modular tooling coupler of
FIG. 1; and,

FIG. 7 is a right side view of the modular tooling coupler of
FIG. 1.

The broken lines in the drawings illustrate portions of the
modular tooling coupler and form no part of the claimed
design.

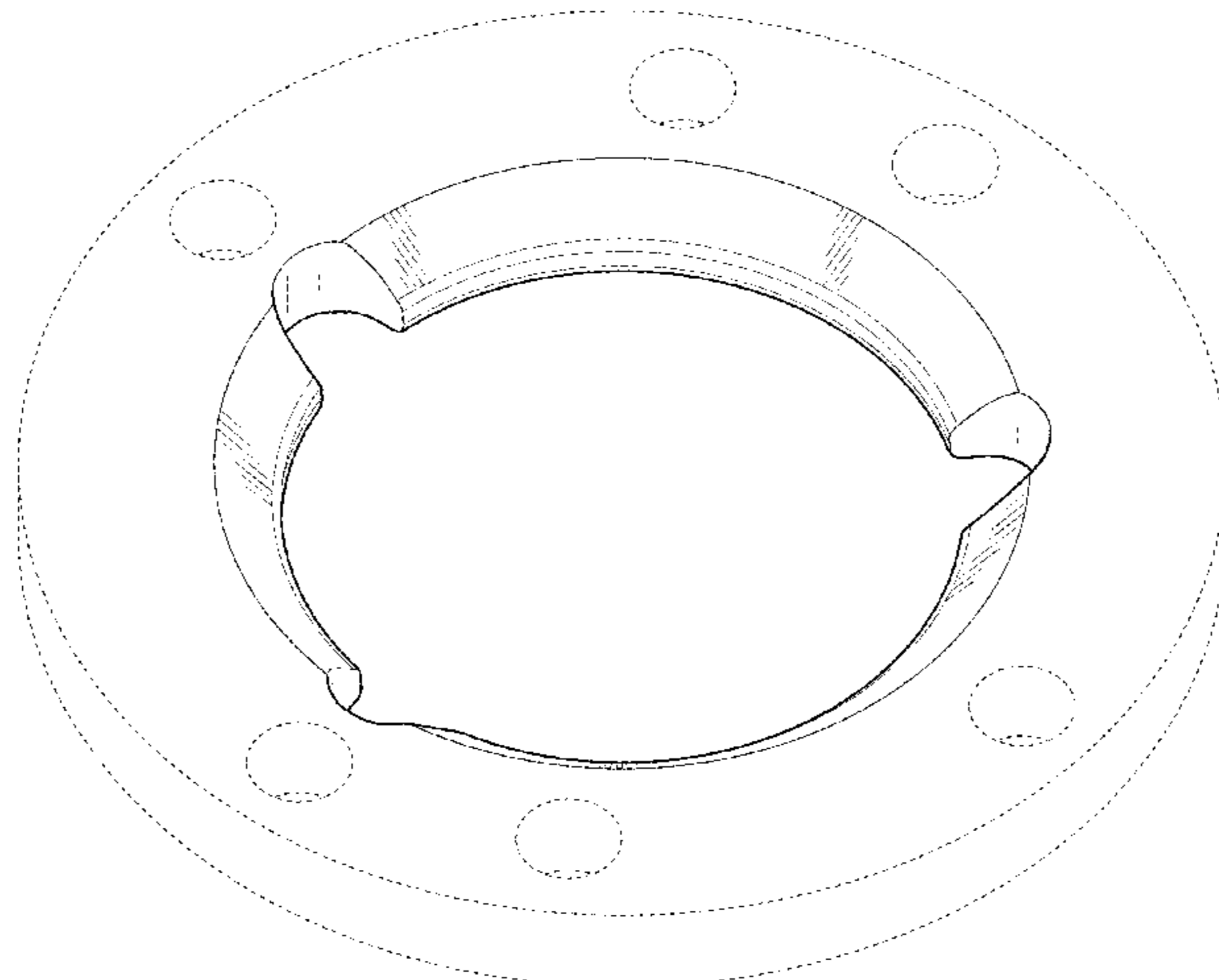
(56) **References Cited**

U.S. PATENT DOCUMENTS

4,135,418 A 1/1979 McCray et al.
4,350,463 A 9/1982 Friedline
4,655,655 A 4/1987 Schurfeld
4,767,246 A 8/1988 Camloh et al.
4,793,053 A 12/1988 Zuccaro et al.
4,824,298 A 4/1989 Lippacher et al.
4,836,068 A 6/1989 Erickson
4,863,323 A 9/1989 Glaser
4,919,023 A 4/1990 Bloink
D323,024 S * 1/1992 Petersson D23/269
5,211,501 A 5/1993 Nakamura et al.
D342,567 S * 12/1993 Boen D23/269
D363,979 S 11/1995 Clark

(Continued)

1 Claim, 3 Drawing Sheets



(56)

References Cited

U.S. PATENT DOCUMENTS

5,597,260 A * 1/1997 Peterson F16B 21/04
403/316
6,000,306 A 12/1999 Erickson
D456,897 S * 5/2002 Atkin D24/109
6,398,279 B1 6/2002 Kikut
6,422,570 B2 * 7/2002 Ikeda F16J 15/3216
277/549
6,439,860 B1 8/2002 Greer
6,932,358 B1 8/2005 Geisman et al.
6,938,879 B2 * 9/2005 Bancroft F16J 15/164
251/306
D529,146 S * 9/2006 Wortmann D23/269
D536,071 S * 1/2007 Wortmann D23/269
7,252,453 B1 8/2007 Little
7,621,200 B2 11/2009 Ichikawa
7,779,716 B2 8/2010 Dellach et al.
D633,183 S * 2/2011 Heintzman D23/269
8,005,570 B2 8/2011 Gloden et al.

D647,181 S 10/2011 Kovach
D698,904 S * 2/2014 Milligan D23/259
D710,485 S * 8/2014 Nudo D23/262
D719,199 S * 12/2014 Kurusu D15/138
D729,354 S * 5/2015 Kieper D23/262
D737,133 S 8/2015 Sandman et al.
D739,921 S 9/2015 Crochet, Sr. et al.
D751,238 S * 3/2016 Siuvatti D26/113
D753,800 S * 4/2016 Callaghan D23/249
D756,492 S 5/2016 Crochet, Sr. et al.
D780,548 S * 3/2017 Pomeroy D8/70
D805,884 S * 12/2017 Evitt D8/382
D840,339 S * 2/2019 Barekar D13/122
2009/0283656 A1 11/2009 Greer
2016/0153589 A1 6/2016 Schwinning et al.
2016/0236357 A1 8/2016 Kalb et al.
2016/0252201 A1 * 9/2016 Chintalapati F16L 37/0841
285/305
2017/0232620 A1 * 8/2017 Kalb B23B 31/1071
279/2.09

* cited by examiner

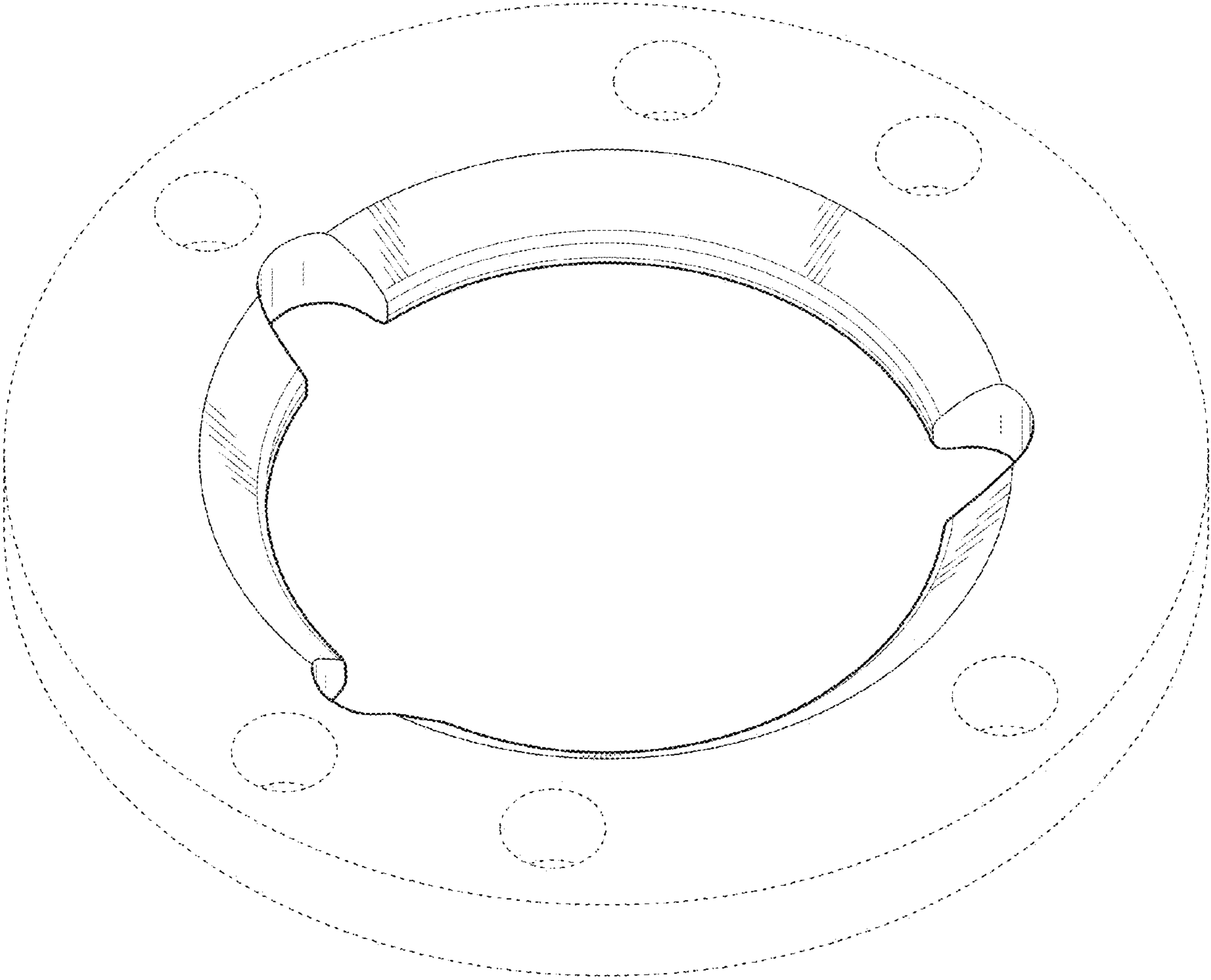


FIG. 1

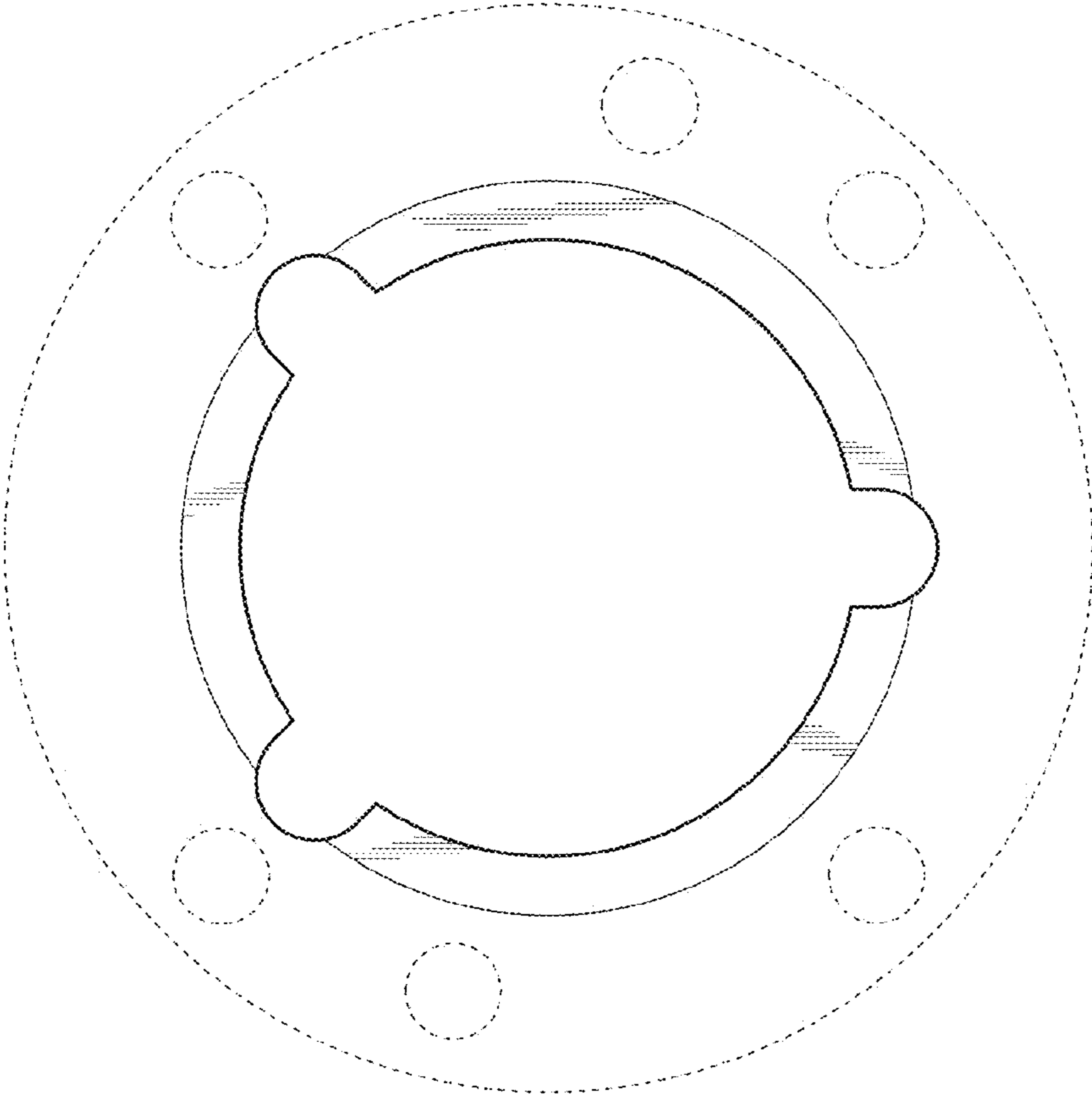


FIG. 2

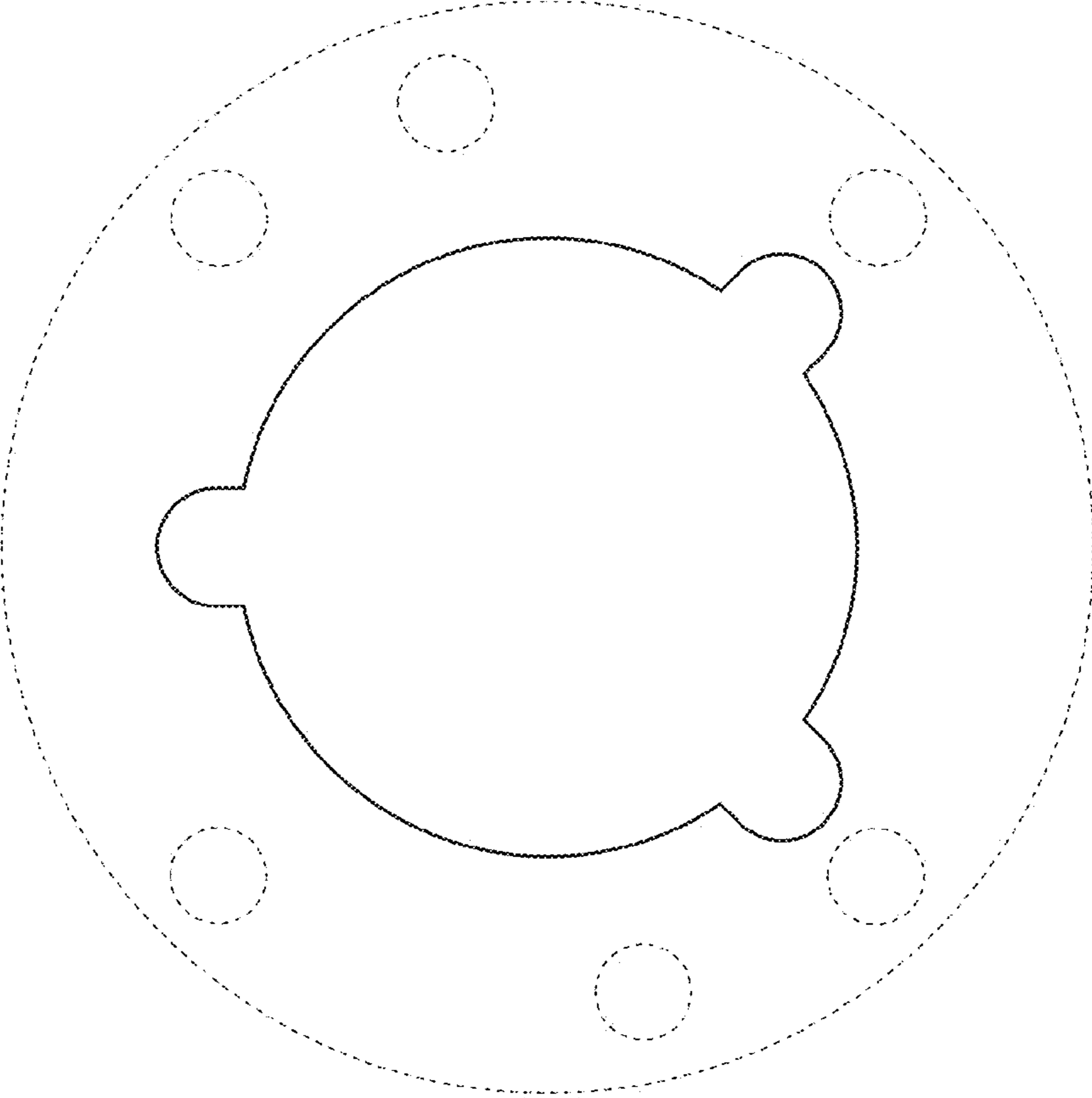


FIG. 3



FIG. 4



FIG. 5

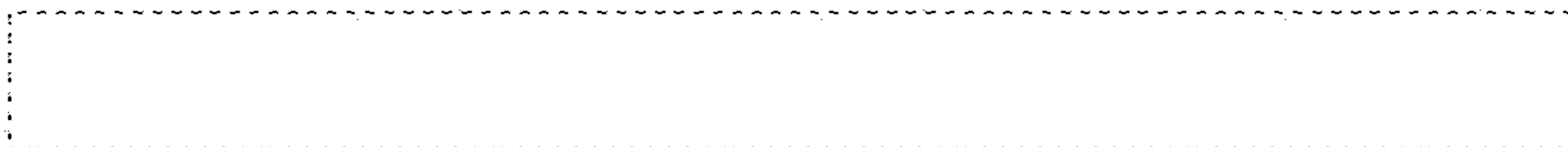


FIG. 6



FIG. 7