



US00D898878S

(12) **United States Design Patent**  
**Sprenger et al.**

(10) **Patent No.:** **US D898,878 S**

(45) **Date of Patent:** **\*\* Oct. 13, 2020**

- (54) **COUPLING INTERFACE**
- (71) Applicant: **Intel Corporation**, Santa Clara, CA (US)
- (72) Inventors: **Mark E. Sprenger**, Tigard, OR (US);  
**Joseph Broderick**, Beaverton, OR (US)
- (73) Assignee: **Intel Corporation**, Santa Clara, CA (US)

(\*\*) Term: **15 Years**

(21) Appl. No.: **29/661,638**

(22) Filed: **Aug. 29, 2018**

(51) **LOC (12) Cl.** ..... **23-01**

(52) **U.S. Cl.**  
USPC ..... **D23/260**; D23/259; D13/133

(58) **Field of Classification Search**  
USPC ..... D23/259, 266, 262, 263, 265, 260;  
D24/110–112, 127, 129; D8/382, 396;  
251/149.6–149.9; 285/149.6, 308, 320,  
285/148.9, 148.21, 148.22, 148.2;  
137/614.02, 614.05–614.06, 798;  
D13/133, 154; D14/432, 154  
CPC ..... A61M 39/26; F16L 27/073  
See application file for complete search history.

(56) **References Cited**

**U.S. PATENT DOCUMENTS**

|                |         |         |       |              |
|----------------|---------|---------|-------|--------------|
| D287,396 S *   | 12/1986 | Shemtov | ..... | D23/269      |
| D313,067 S *   | 12/1990 | Kotake  | ..... | D23/262      |
| 5,052,725 A *  | 10/1991 | Meyer   | ..... | F16L 37/0841 |
|                |         |         |       | 285/308      |
| D451,073 S *   | 11/2001 | Yasuda  | ..... | D13/133      |
| D482,761 S *   | 11/2003 | Gotoh   | ..... | D23/233      |
| 6,685,230 B1 * | 2/2004  | Bottura | ..... | F16L 37/0915 |
|                |         |         |       | 285/340      |

|                   |         |               |       |              |
|-------------------|---------|---------------|-------|--------------|
| D602,128 S *      | 10/2009 | Williams      | ..... | D23/262      |
| D617,881 S *      | 6/2010  | Tausch        | ..... | D23/262      |
| D627,039 S *      | 11/2010 | Yu            | ..... | D23/260      |
| D639,398 S *      | 6/2011  | Wilhelm       | ..... | D23/262      |
| 8,240,719 B2 *    | 8/2012  | Udhofer       | ..... | F16L 19/0231 |
|                   |         |               |       | 285/12       |
| D724,703 S *      | 3/2015  | Downs         | ..... | D23/262      |
| D791,940 S *      | 7/2017  | Maurice       | ..... | D24/129      |
| D830,524 S *      | 10/2018 | Vranish       | ..... | D23/262      |
| 2006/0108793 A1 * | 5/2006  | McGee         | ..... | F16L 37/088  |
|                   |         |               |       | 285/148.2    |
| 2015/0247594 A1 * | 9/2015  | Vijayadevaraj | ..... | F16L 13/142  |
|                   |         |               |       | 251/149.6    |

\* cited by examiner

*Primary Examiner* — Amy C Wierenga  
(74) *Attorney, Agent, or Firm* — Hanley, Flight and  
Zimmerman, LLC

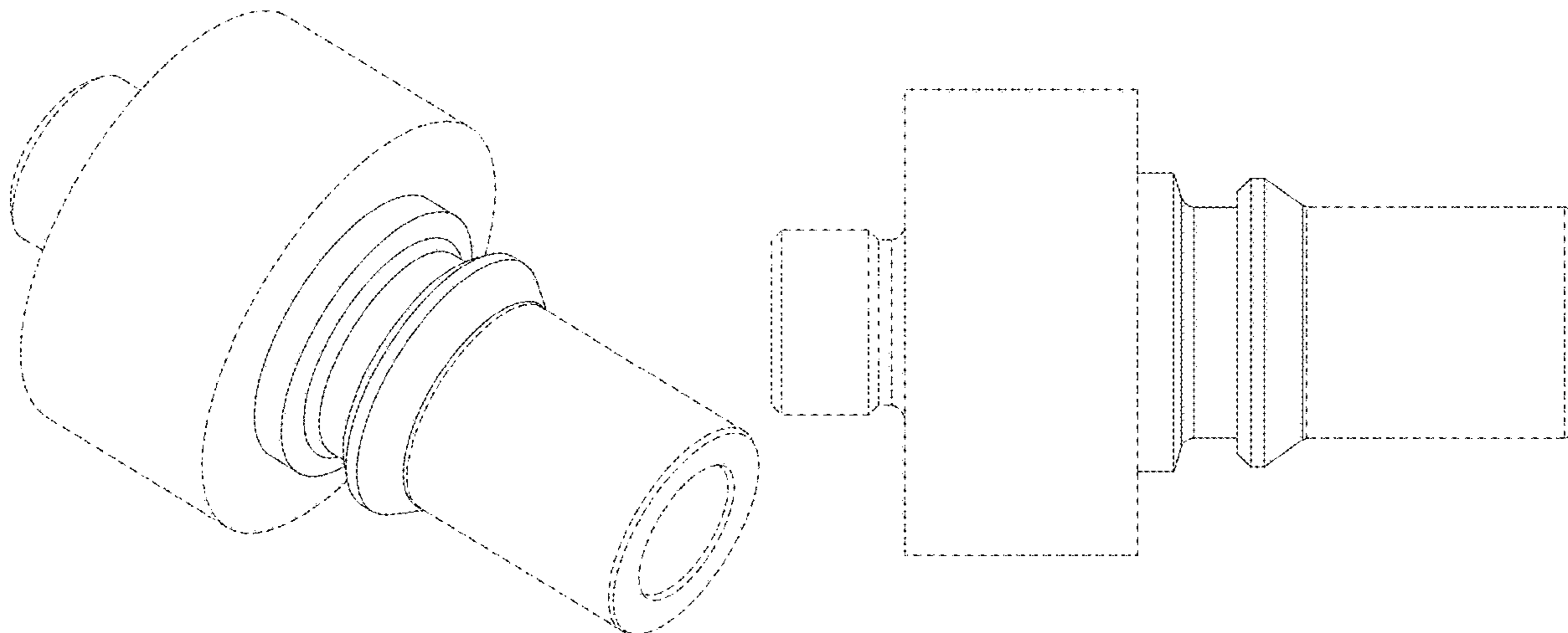
(57) **CLAIM**

The ornamental design for a “coupling interface,” as shown and described.

**DESCRIPTION**

FIG. 1 is a left, front perspective view of a coupling interface.  
FIG. 2 is a left side view of the coupling interface of FIG. 1.  
FIG. 3 is a rear view of the coupling interface of FIG. 1; and, FIG. 4 is a front view of the coupling interface of FIG. 1. The top view and bottom view of the coupling interface of FIG. 1 are the same as the left side view shown in FIG. 2. The right side view of the coupling interface of FIG. 1 is a mirror of the left side view shown in FIG. 2. The features shown in broken lines form no part of the claimed design.

**1 Claim, 4 Drawing Sheets**



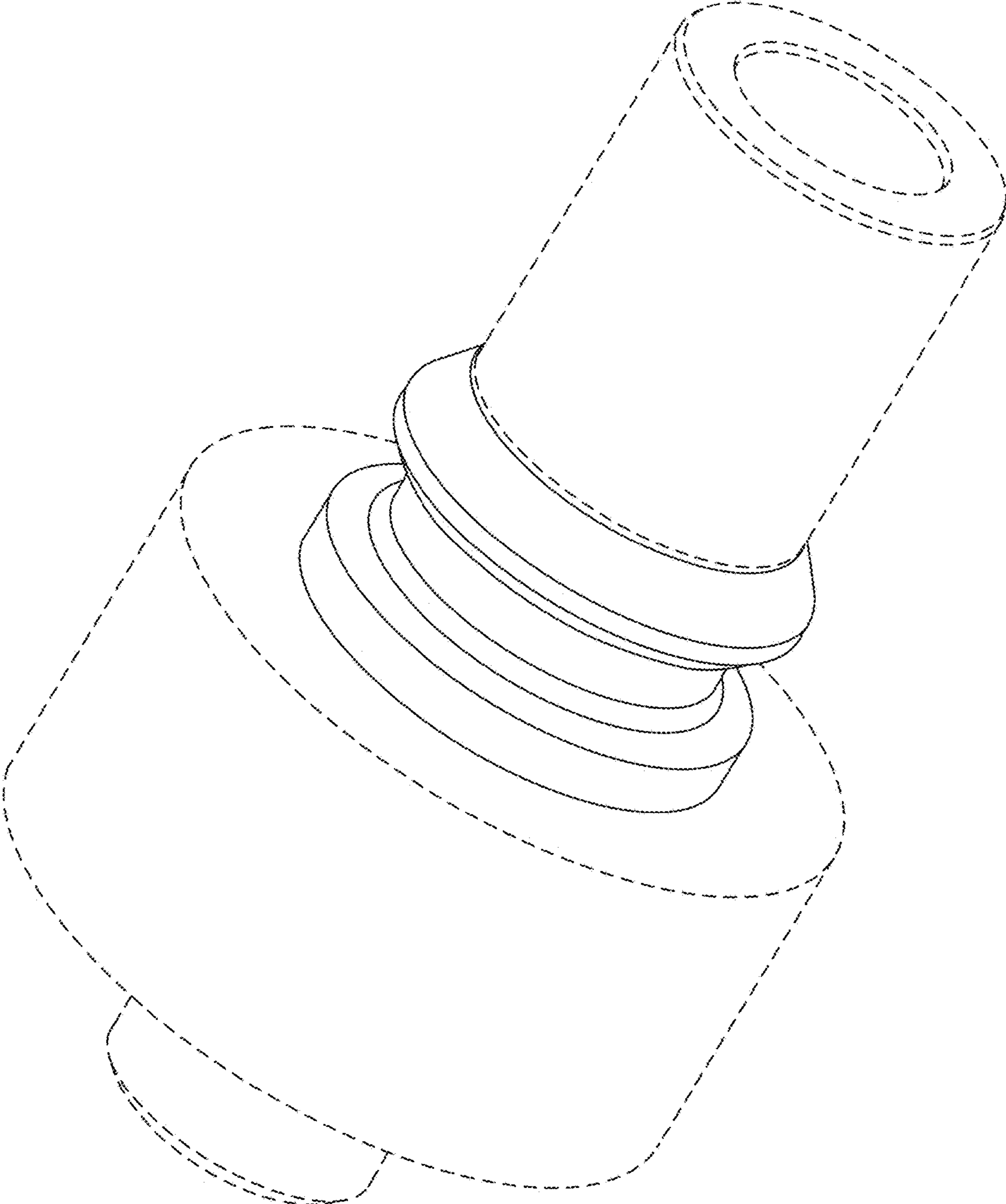
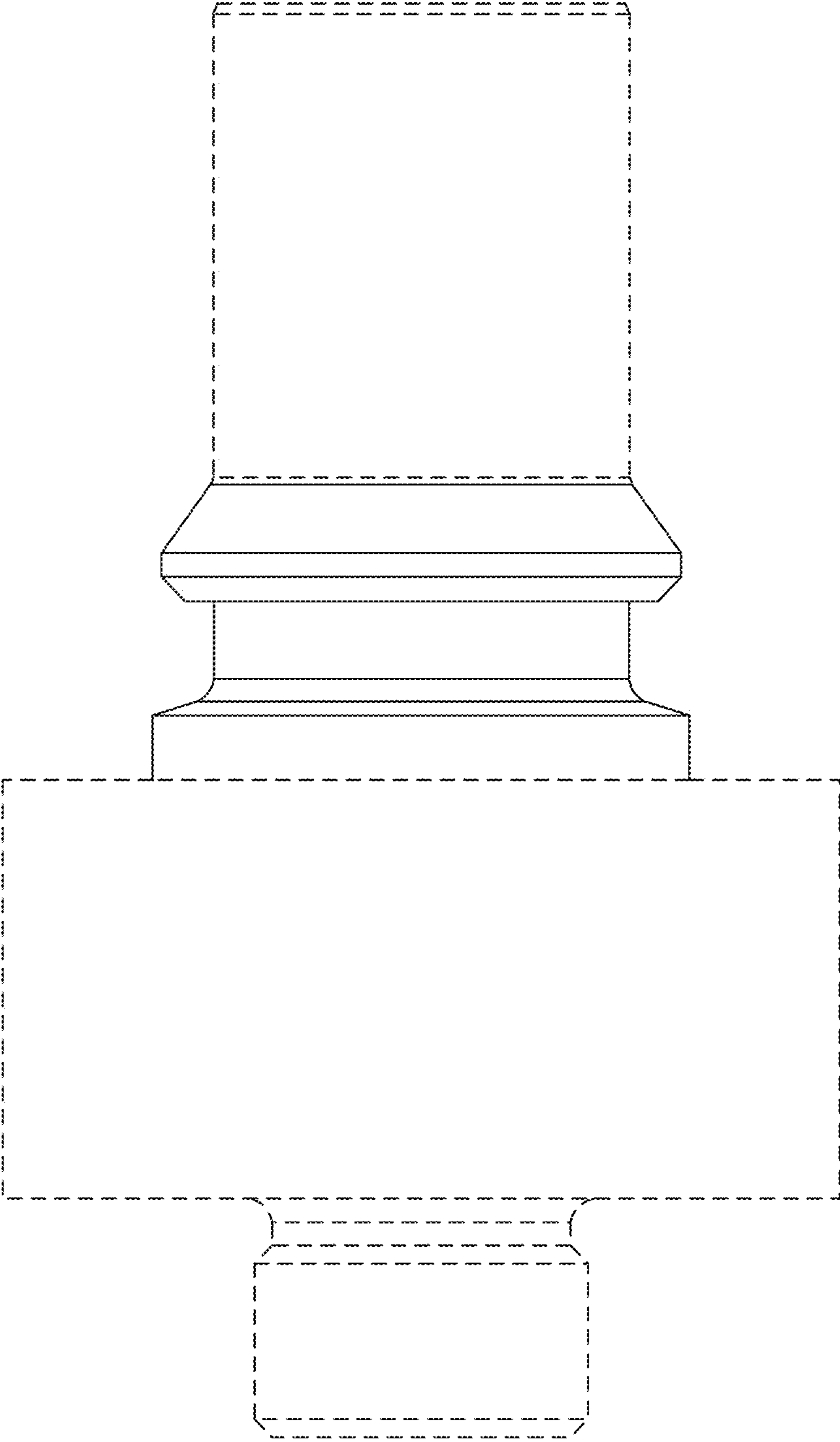


FIG. 1

FIG. 2



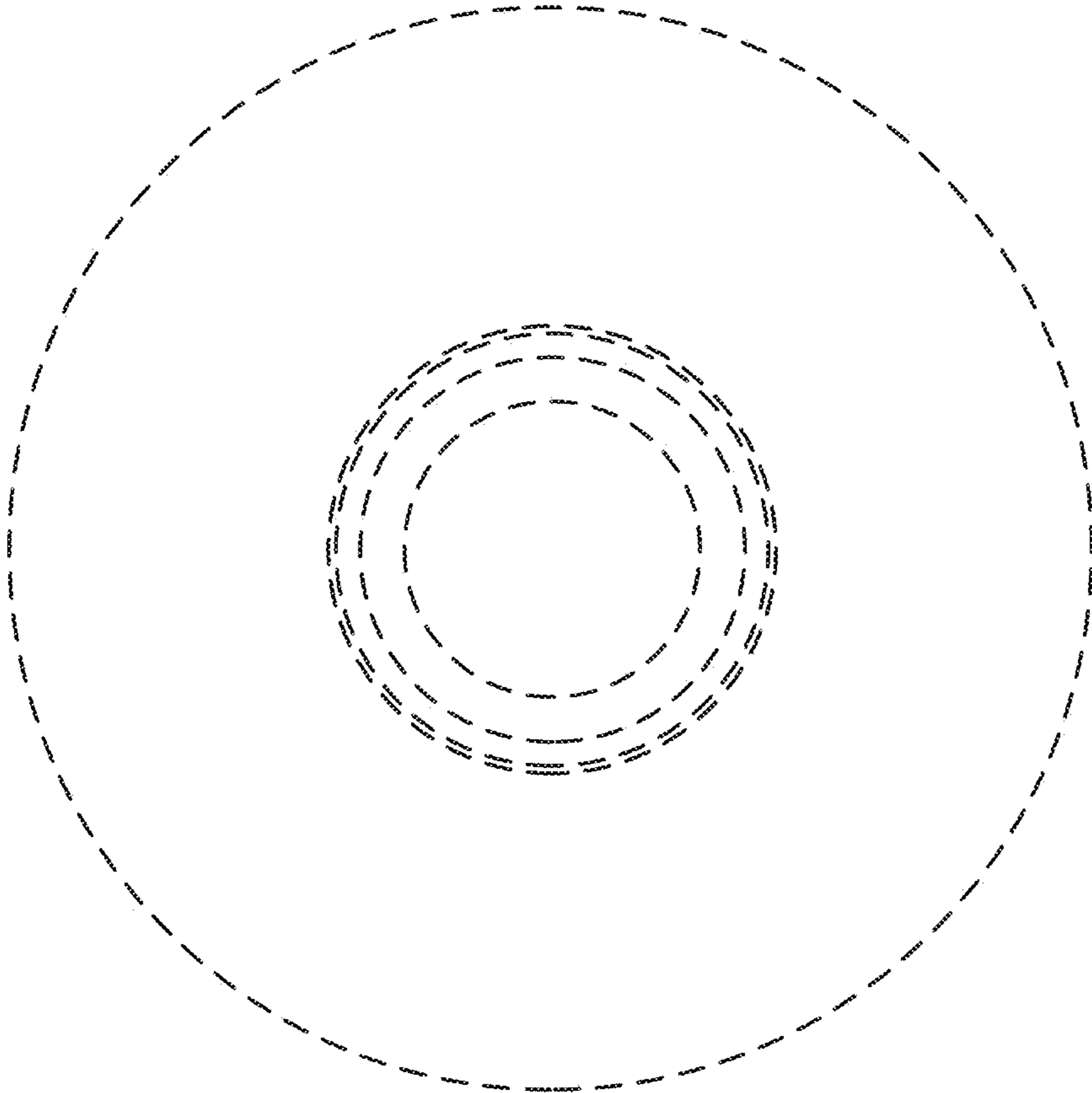


FIG. 3

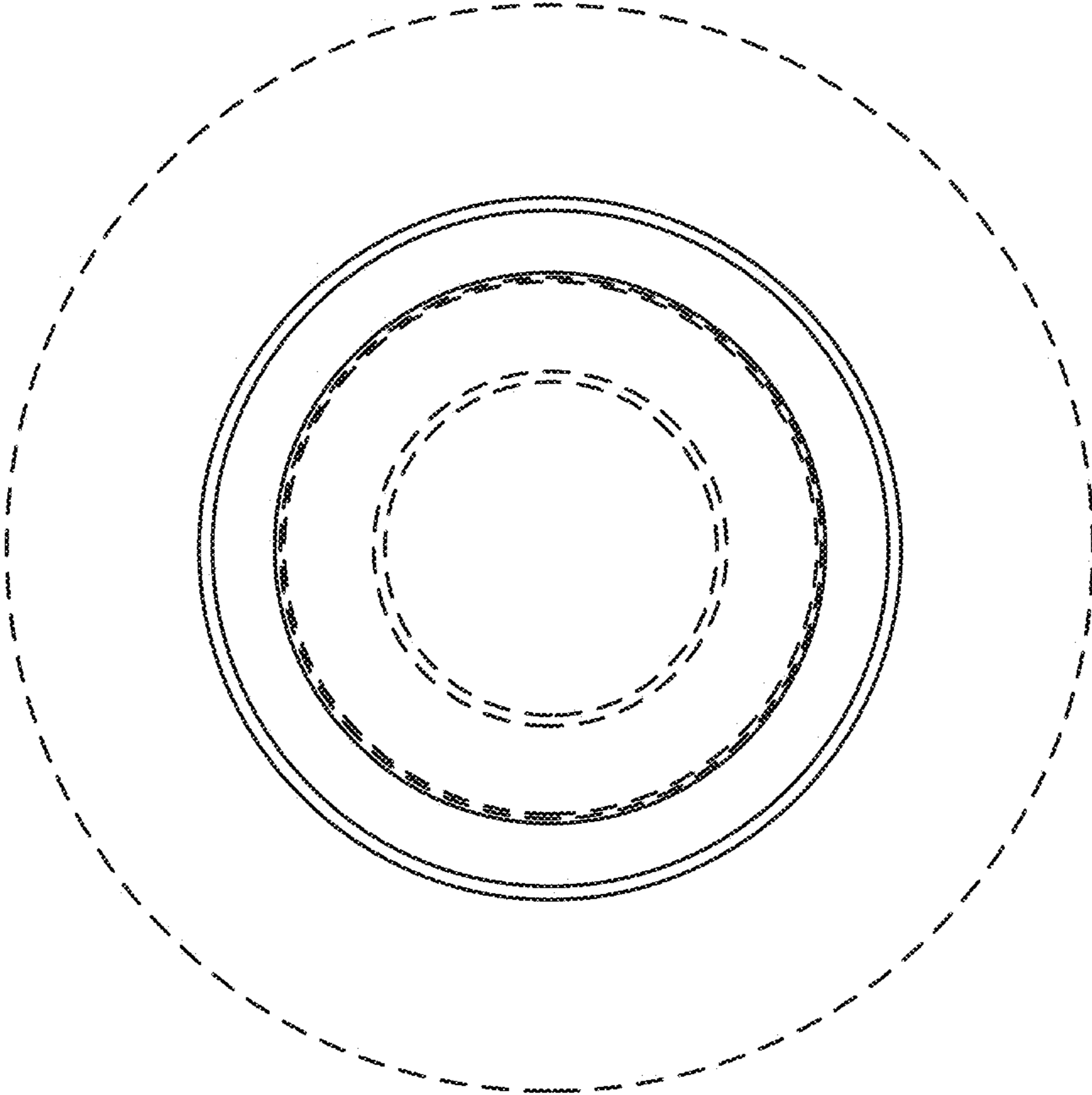


FIG. 4