



US00D898877S

(12) **United States Design Patent** (10) **Patent No.:** **US D898,877 S**
Schoenherr et al. (45) **Date of Patent:** **** Oct. 13, 2020**

(54) **SHOWER CONTROL**

(71) Applicant: **Hansgrohe SE**, Schiltach (DE)

(72) Inventors: **Tom Schoenherr**, Stuttgart (DE);
Matthias Oesterle, Winterbach (DE)

(73) Assignee: **Hansgrohe SE**, Schiltach (DE)

(**) Term: **15 Years**

(21) Appl. No.: **29/693,394**

(22) Filed: **Jun. 3, 2019**

(30) **Foreign Application Priority Data**

Dec. 4, 2018 (EM) 005843083-0021

(51) **LOC (12) Cl.** **23-01**

(52) **U.S. Cl.**
USPC **D23/254**

(58) **Field of Classification Search**

USPC D23/250, 252, 254, 238-243, 249;
D8/307-308, 353

CPC E03C 1/0408; E03C 1/09; E03C 1/042;
E03C 1/0412

See application file for complete search history.

(56) **References Cited**

U.S. PATENT DOCUMENTS

D725,235 S *	3/2015	Barber	D23/254
D761,388 S *	7/2016	Schoenherr	D23/250
D813,993 S *	3/2018	Schoenherr	D23/254
D816,190 S *	4/2018	Schoenherr	D23/254
D817,459 S *	5/2018	Schoenherr	D23/254

* cited by examiner

Primary Examiner — Robert A Delehanty

(74) *Attorney, Agent, or Firm* — Lora J. Graentzdoerffer

(57) **CLAIM**

The ornamental design for a shower control, as shown and described.

DESCRIPTION

FIG. 1 is a perspective view of a shower control showing our design;

FIG. 2 is a front elevation view;

FIG. 3 is a rear elevation view;

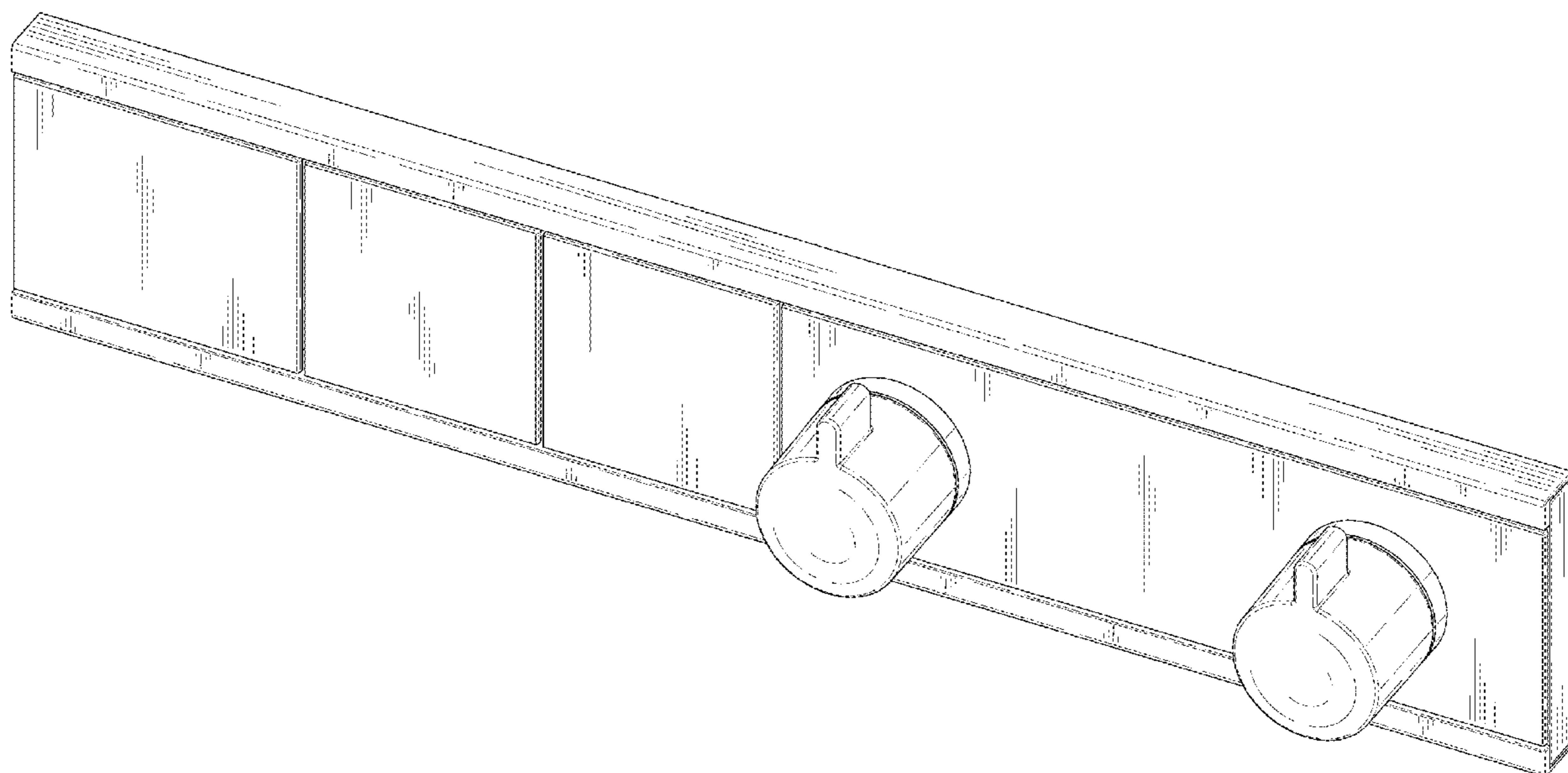
FIG. 4 is a side elevation view;

FIG. 5 is a top plan view; and,

FIG. 6 is a bottom plan view.

The broken-line disclosures in the view represents portions of the shower control in which the claimed design is embodied, but which forms no part of the claimed design.

1 Claim, 6 Drawing Sheets



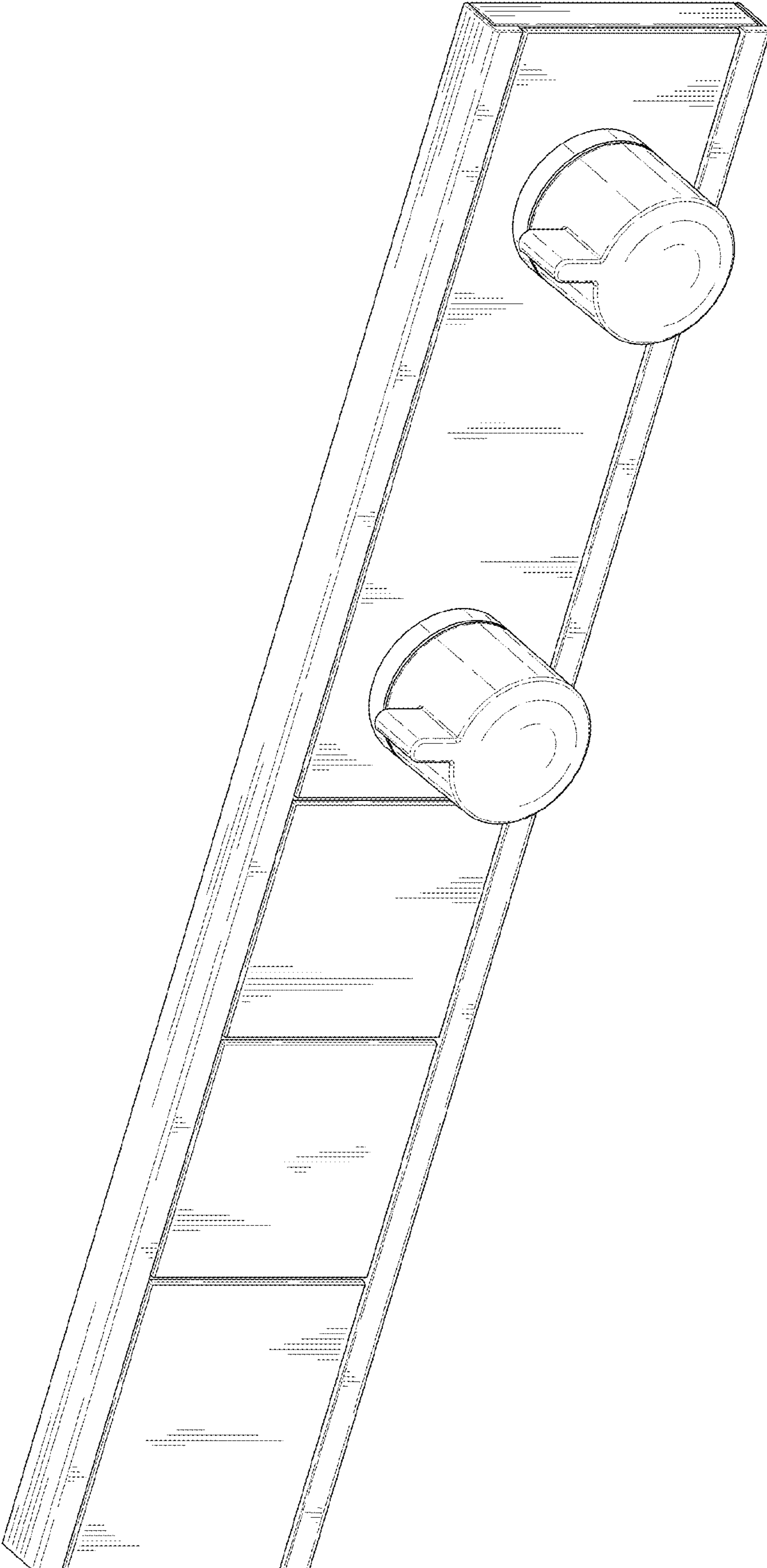


FIG. 1

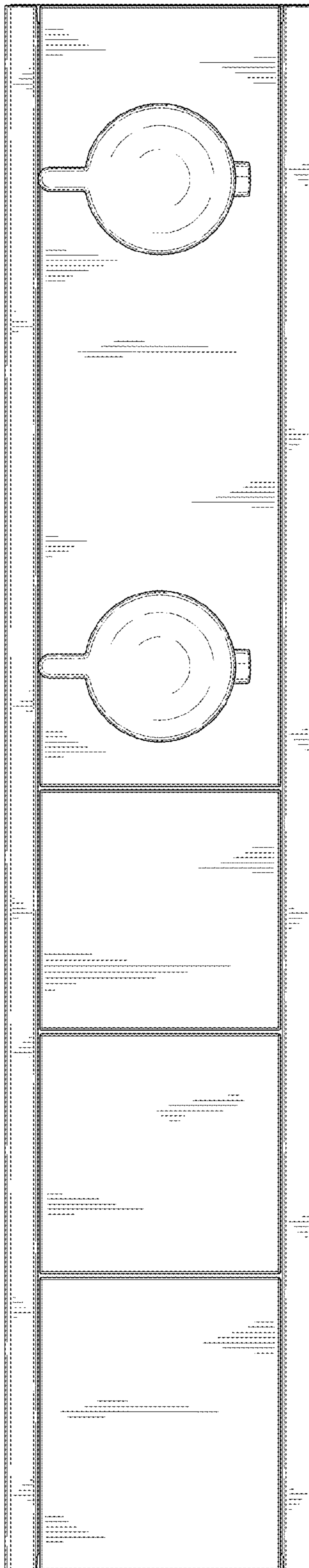


FIG. 2

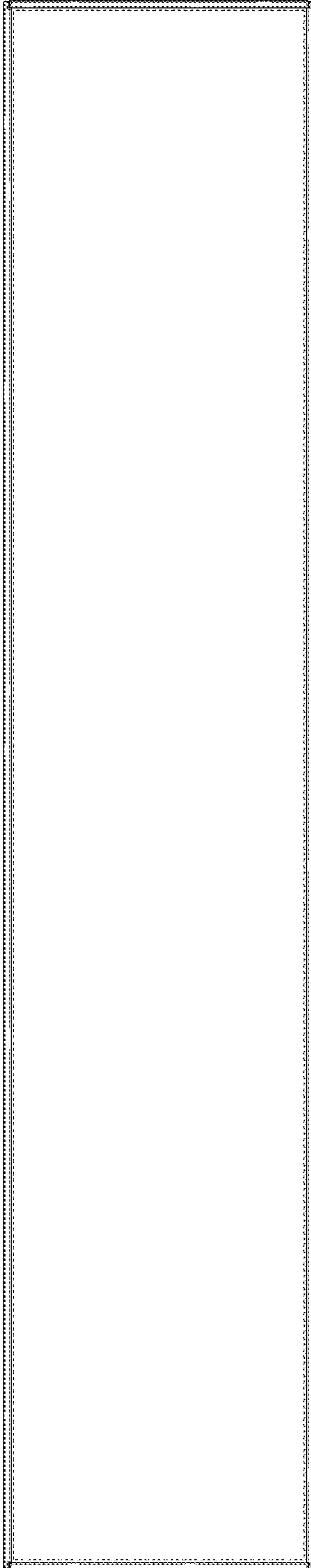
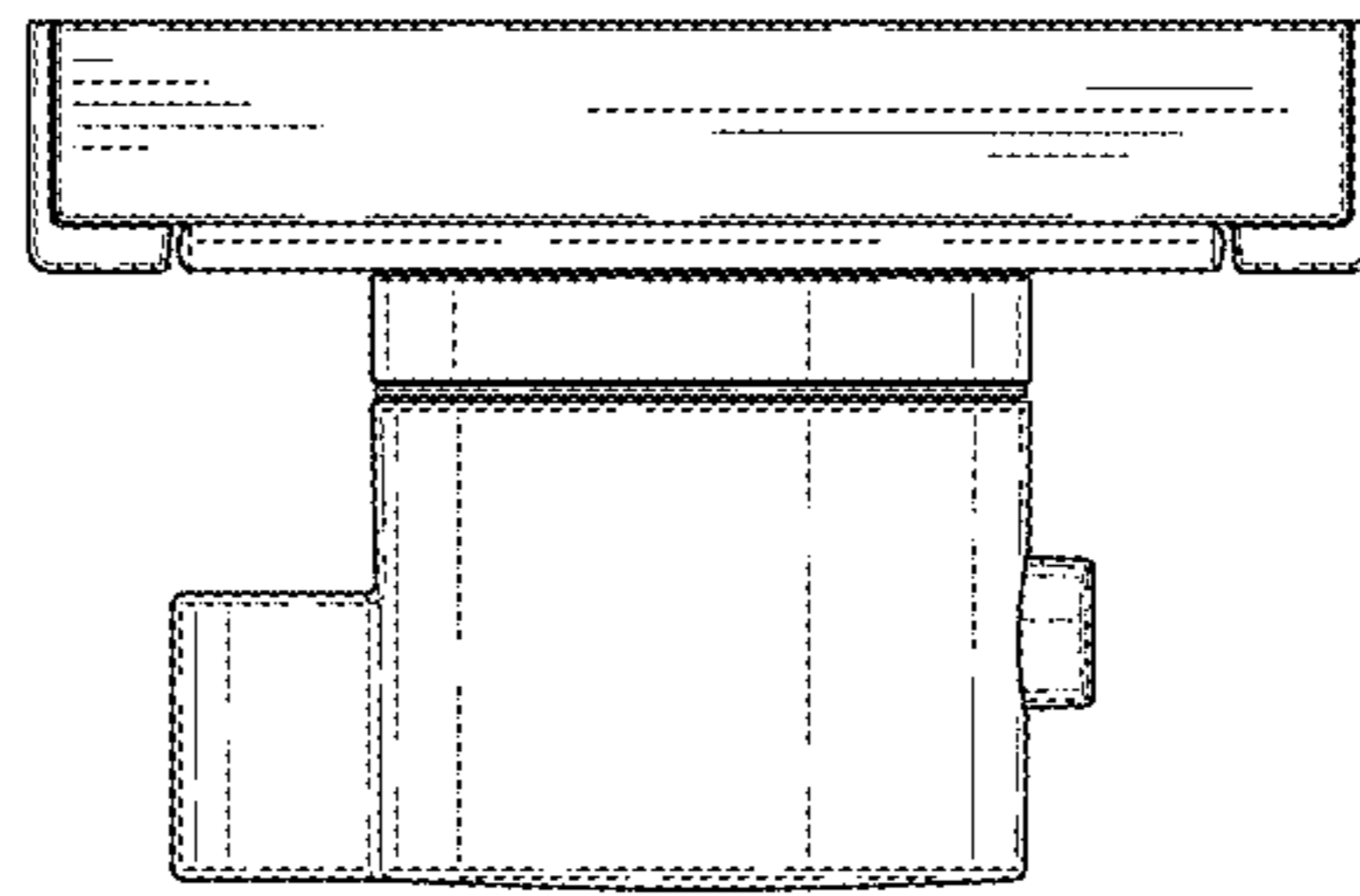


FIG. 3

FIG. 4



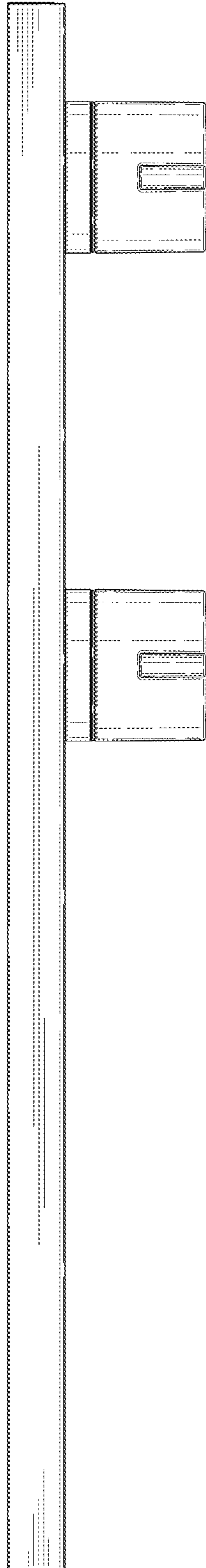


FIG. 5

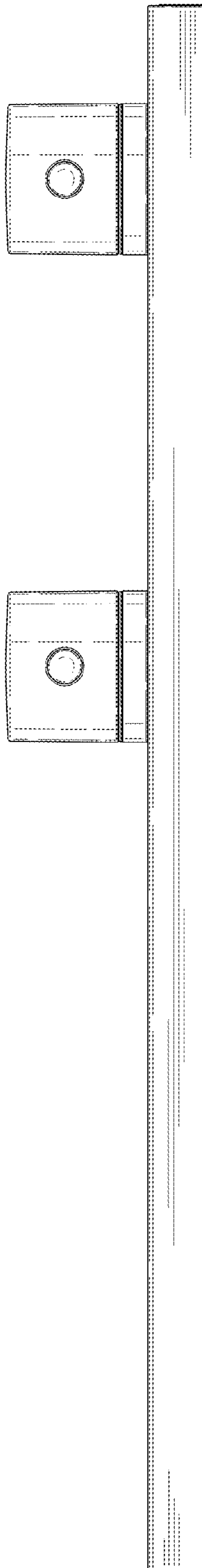


FIG. 6