



US00D898876S

(12) **United States Design Patent** (10) **Patent No.:** **US D898,876 S**
Massaud (45) **Date of Patent:** **** Oct. 13, 2020**

(54) **SHOWER CONTROL**
(71) Applicant: **Hansgrohe SE**, Schiltach (DE)
(72) Inventor: **Jean-Marie Massaud**, Paris (FR)
(73) Assignee: **Hansgrohe SE**, Schiltach (DE)
(**) Term: **15 Years**

(21) Appl. No.: **29/677,740**
(22) Filed: **Jan. 23, 2019**

(30) **Foreign Application Priority Data**
Jul. 26, 2018 (EM) 005515749-0033
(51) **LOC (12) Cl.** **23-01**
(52) **U.S. Cl.**
USPC **D23/254**
(58) **Field of Classification Search**
USPC D23/250, 252, 254, 238-243, 249;
D8/307-308, 353
CPC E03C 1/0408; E03C 1/09; E03C 1/042;
E03C 1/0412
See application file for complete search history.

(56) **References Cited**
U.S. PATENT DOCUMENTS
D271,374 S * 11/1983 Butts D8/353
D500,841 S * 1/2005 Citterio D23/238
D579,519 S * 10/2008 Sieger D23/238
D677,365 S 3/2013 Schoenherr et al.

D761,388 S 7/2016 Schoenherr et al.
D813,994 S * 3/2018 Schoenherr D23/254
D815,719 S * 4/2018 Schoenherr D23/304
D884,127 S * 5/2020 Massaud D23/254
D884,457 S * 5/2020 Roberts, III D8/353

FOREIGN PATENT DOCUMENTS
EM 002594630-0001 12/2014
* cited by examiner
Primary Examiner — Robert A Delehanty
(74) *Attorney, Agent, or Firm* — Lora J. Graentzdoerffer

(57) **CLAIM**
The ornamental design for a shower control, as shown and described.

DESCRIPTION
FIG. 1 is a perspective view of a shower control showing my design;
FIG. 2 is a front elevation view;
FIG. 3 is a rear elevation view;
FIG. 4 is a right side elevation view;
FIG. 5 is a left side elevation view;
FIG. 6 is a top plan view; and,
FIG. 7 is a bottom plan view.
The broken-line disclosures in the view represents portions of the shower control in which the claimed design is embodied, but which forms no part of the claimed design.

1 Claim, 7 Drawing Sheets

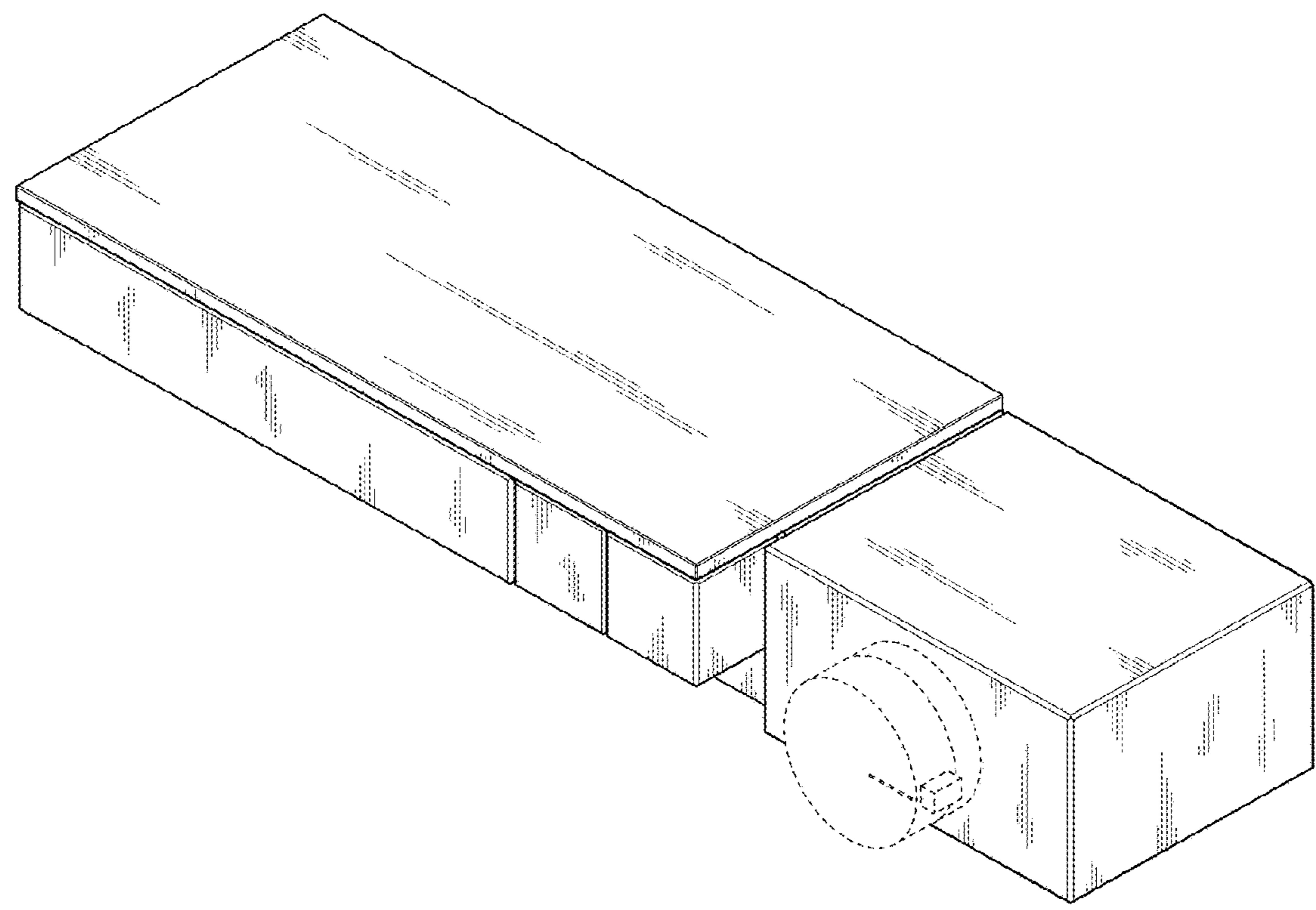


FIG. 1

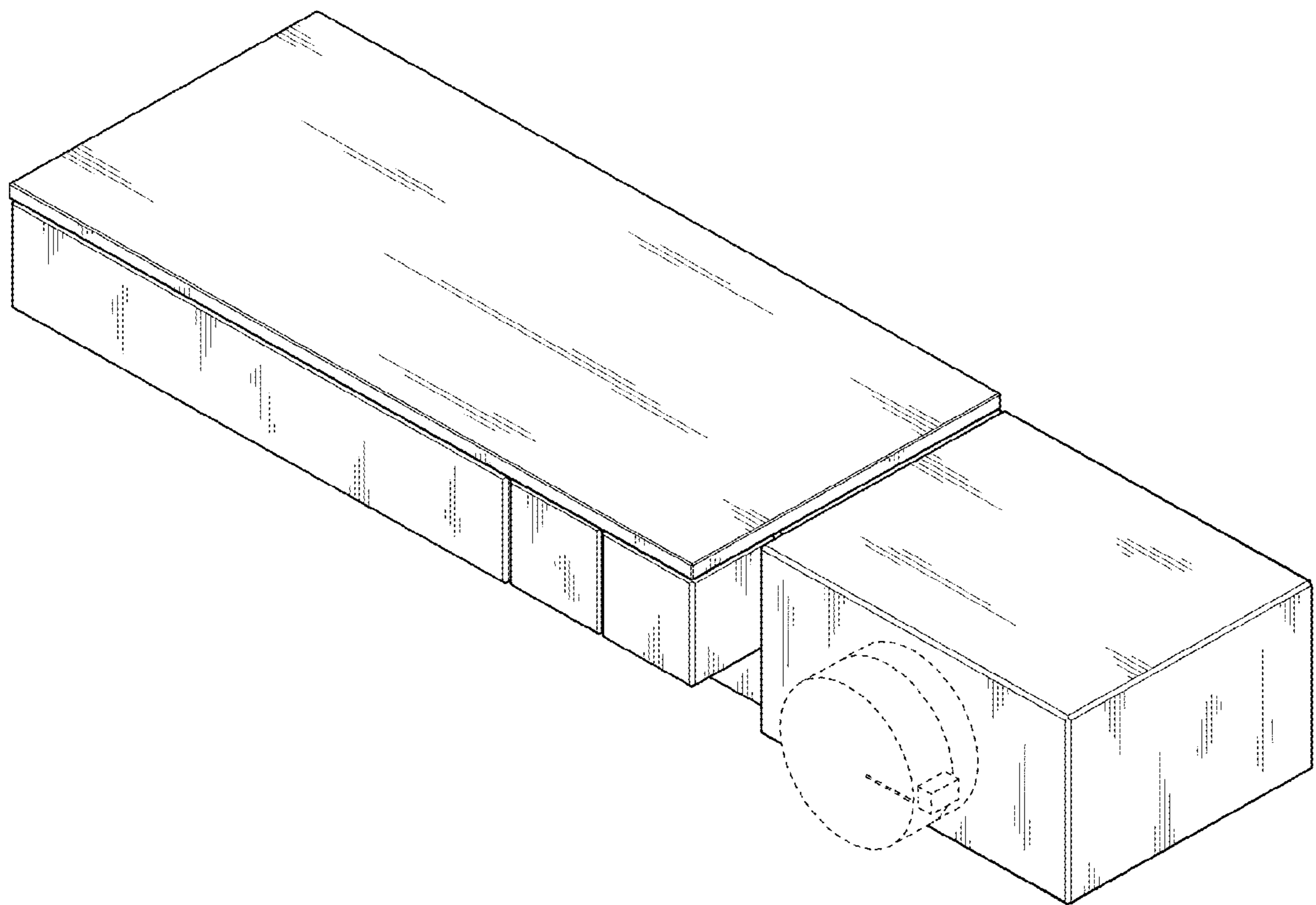


FIG. 2

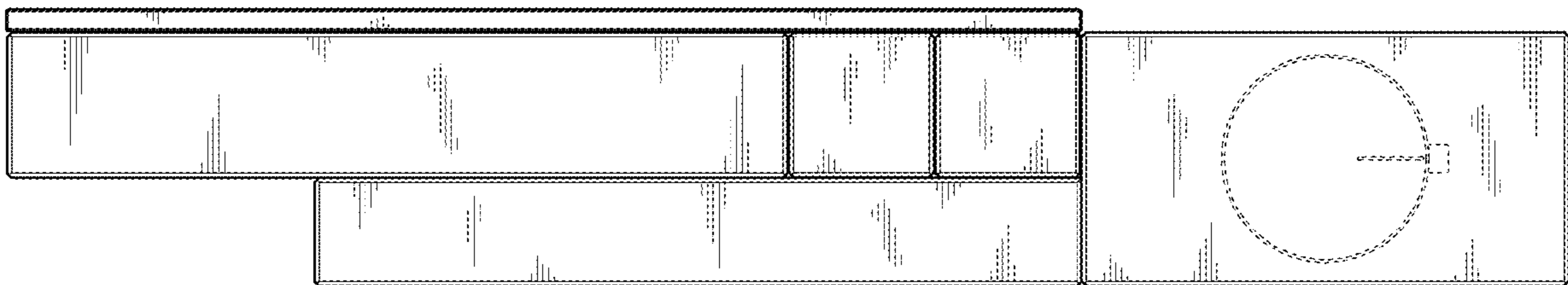


FIG. 3

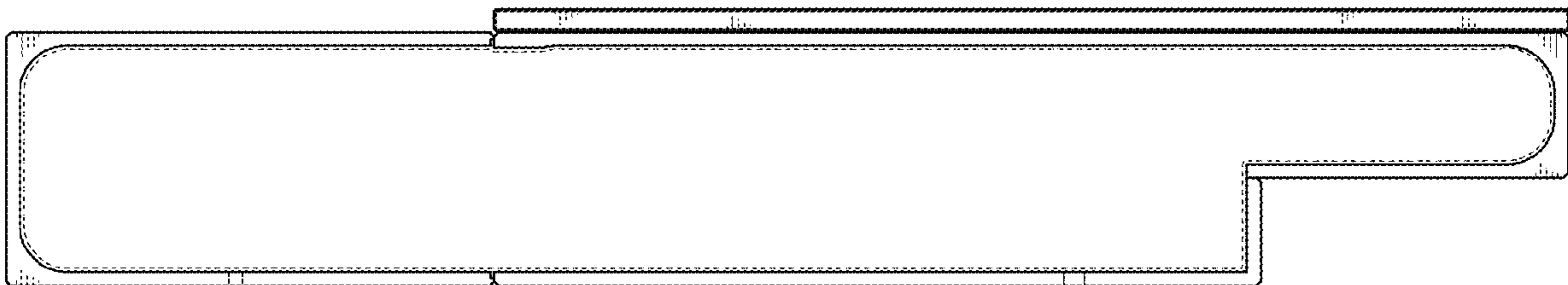


FIG. 4

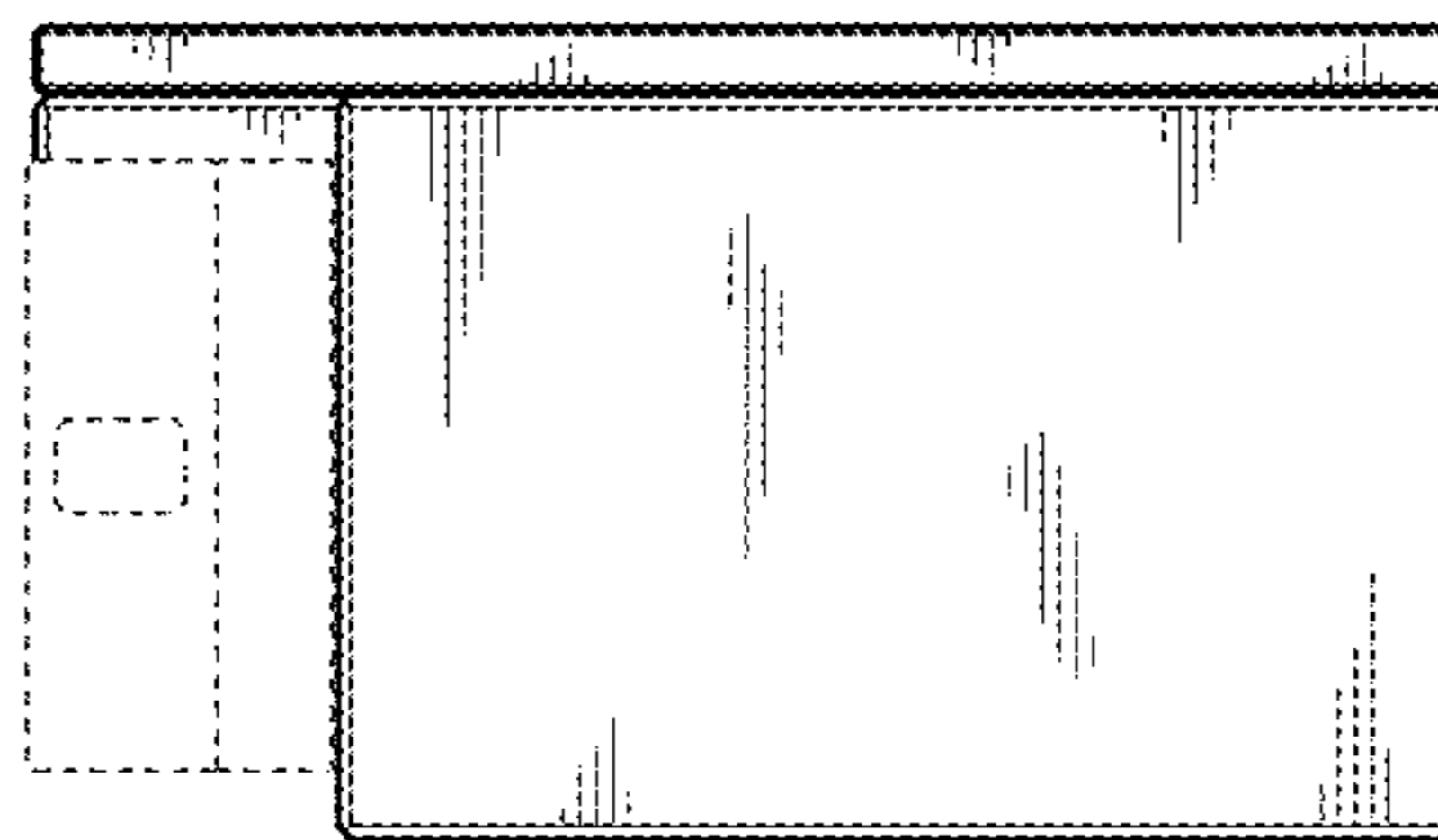


FIG. 5

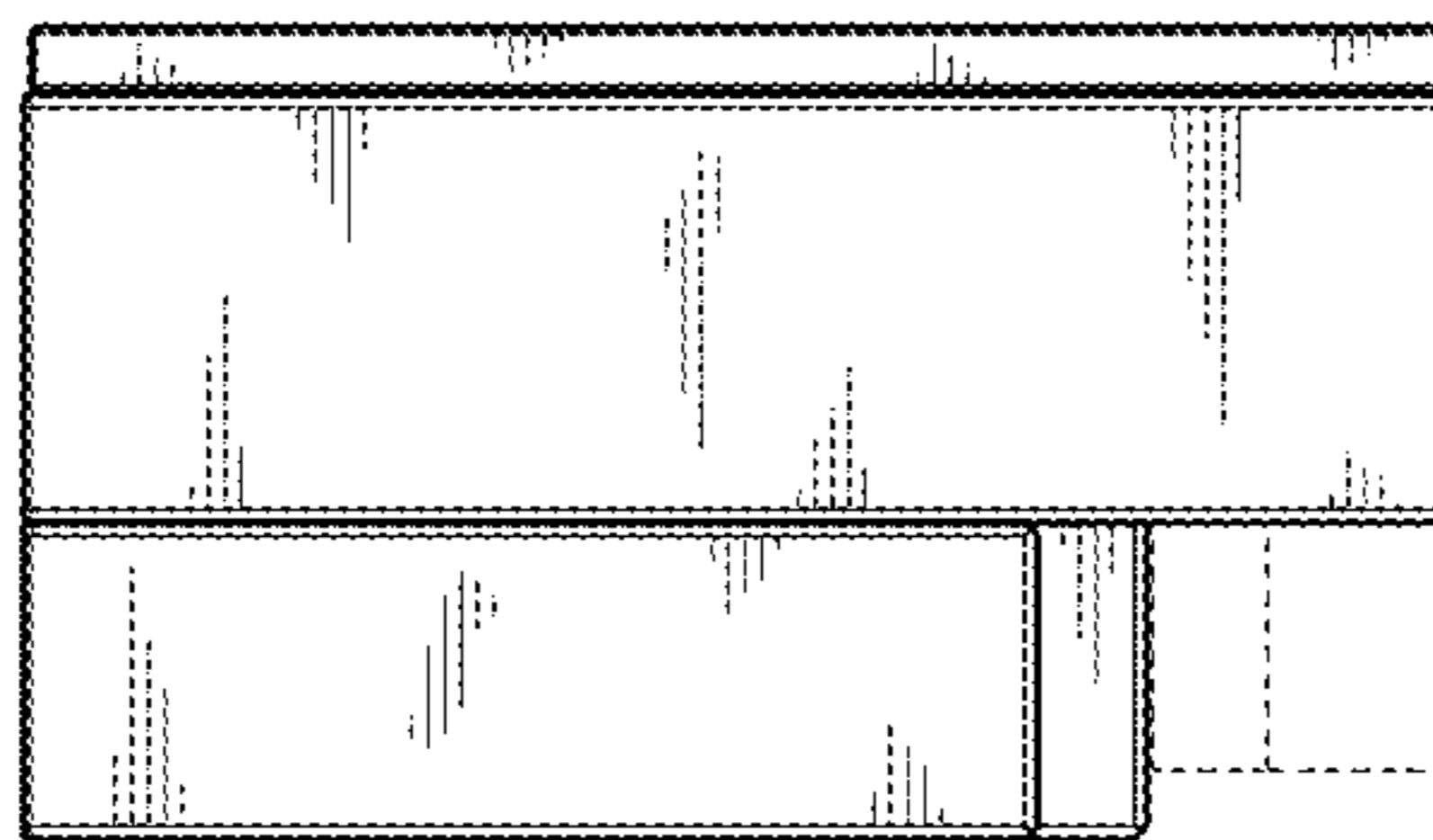


FIG. 6



FIG. 7

