

US00D898873S

(12) **United States Design Patent**
Massaud

(10) **Patent No.:** **US D898,873 S**

(45) **Date of Patent:** **** Oct. 13, 2020**

(54) **SHOWER CONTROL**

D786,406 S * 5/2017 Schoenherr D23/250
D884,127 S * 5/2020 Massaud D23/254
D884,457 S * 5/2020 Roberts, III D8/353

(71) Applicant: **Hansgrohe SE**, Schiltach (DE)

(72) Inventor: **Jean-Marie Massaud**, Paris (FR)

(73) Assignee: **Hansgrohe SE**, Schiltach (DE)

(**) Term: **15 Years**

(21) Appl. No.: **29/677,706**

(22) Filed: **Jan. 23, 2019**

(30) **Foreign Application Priority Data**

Jul. 26, 2018 (EM) 005515749-0011

(51) **LOC (12) Cl.** **23-01**

(52) **U.S. Cl.**
USPC **D23/254**

(58) **Field of Classification Search**
USPC D23/250, 252, 254, 238-243, 249;
D8/307-308, 353
CPC E03C 1/0408; E03C 1/09; E03C 1/042;
E03C 1/0412
See application file for complete search history.

(56) **References Cited**

U.S. PATENT DOCUMENTS

D597,180 S 7/2009 Starck
D700,292 S * 2/2014 Schoenherr D23/254
D772,691 S * 11/2016 Han D8/350
D774,169 S * 12/2016 Kington D23/254

FOREIGN PATENT DOCUMENTS

CN ZL2013300076863 10/2013
EM 000418066-0001 10/2005
EM 001976416-0008 1/2012

* cited by examiner

Primary Examiner — Robert A Delehanty

(74) *Attorney, Agent, or Firm* — Lora J. Graentzdoerffer

(57) **CLAIM**

The ornamental design for a shower control, as shown and described.

DESCRIPTION

FIG. 1 is a perspective view of a shower control showing my design;
FIG. 2 is a front elevation view;
FIG. 3 is a rear elevation view;
FIG. 4 is a right side elevation view;
FIG. 5 is a left side elevation view;
FIG. 6 is a top plan view; and,
FIG. 7 is a bottom plan view.
The broken-line disclosures in the view represents portions of the shower control in which the claimed design is embodied, but which forms no part of the claimed design.

1 Claim, 7 Drawing Sheets

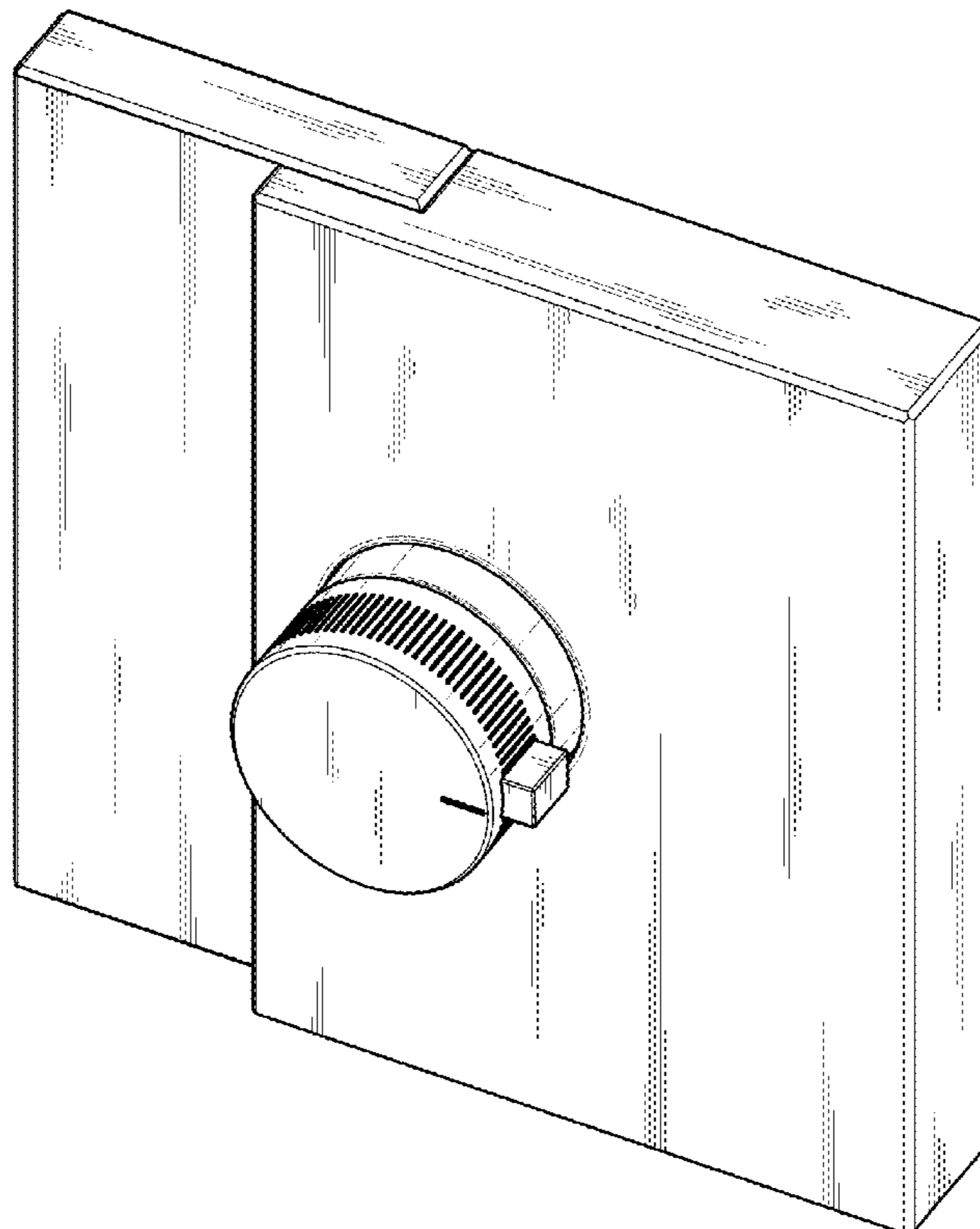


FIG. 1

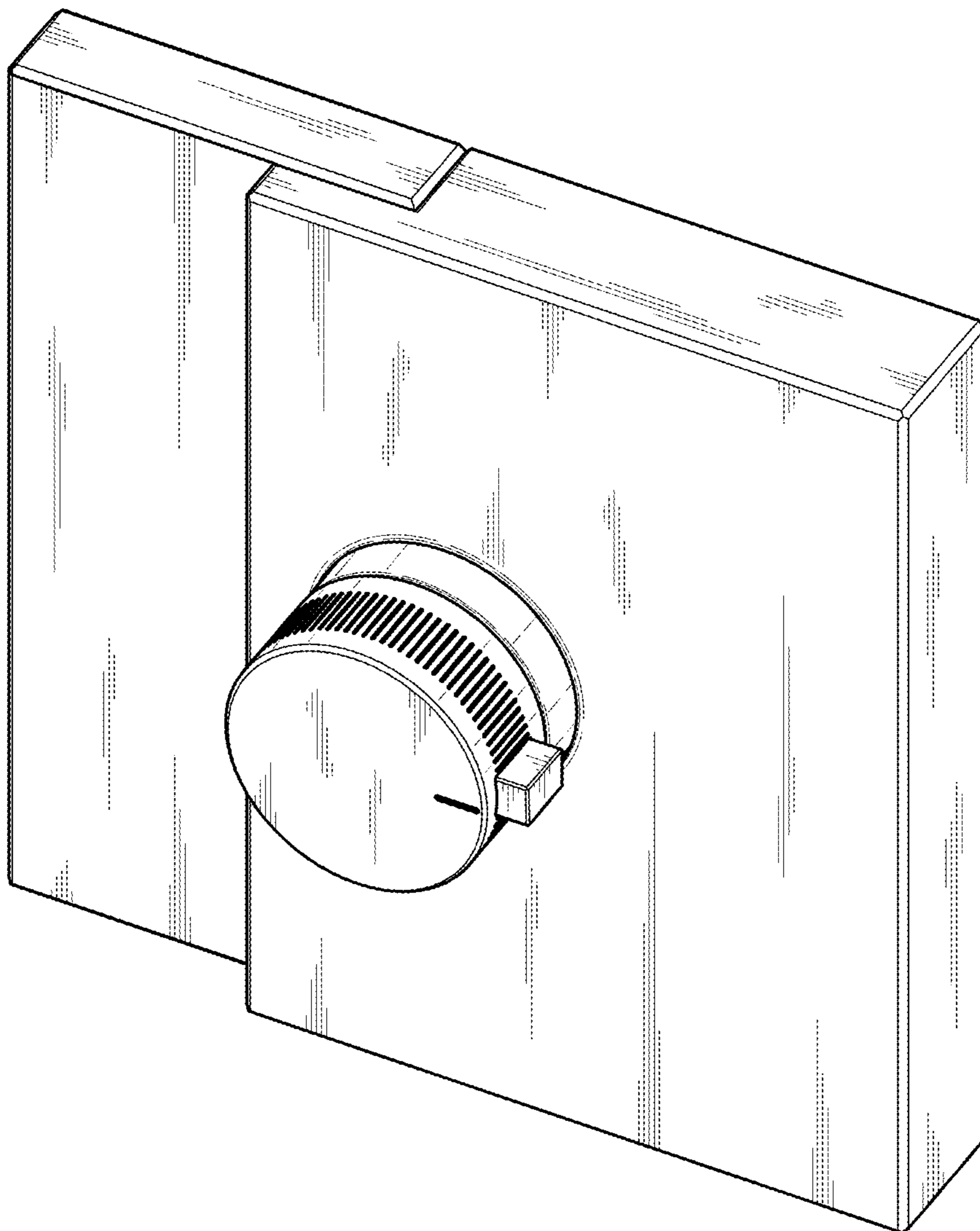


FIG. 2

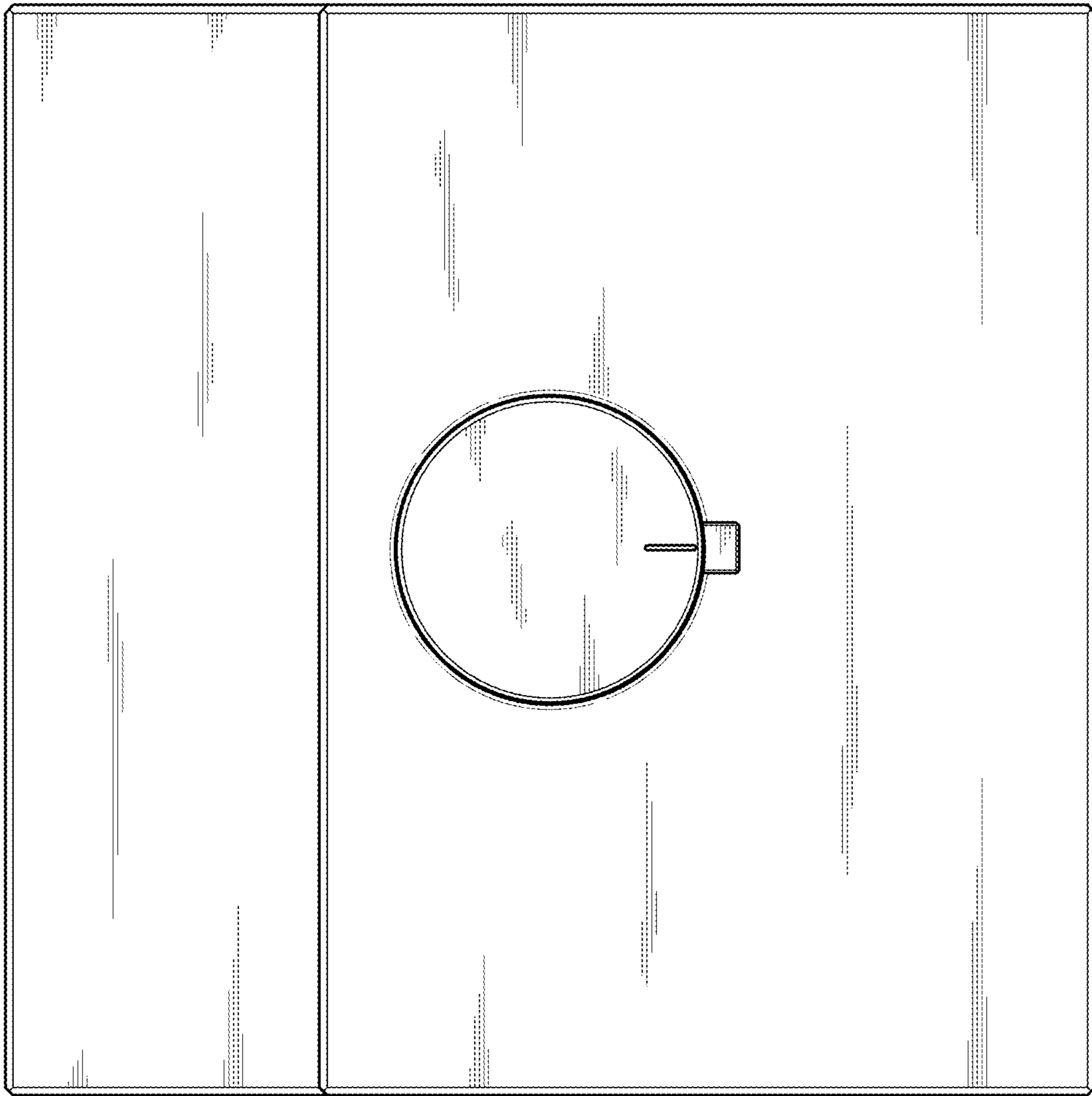


FIG. 3

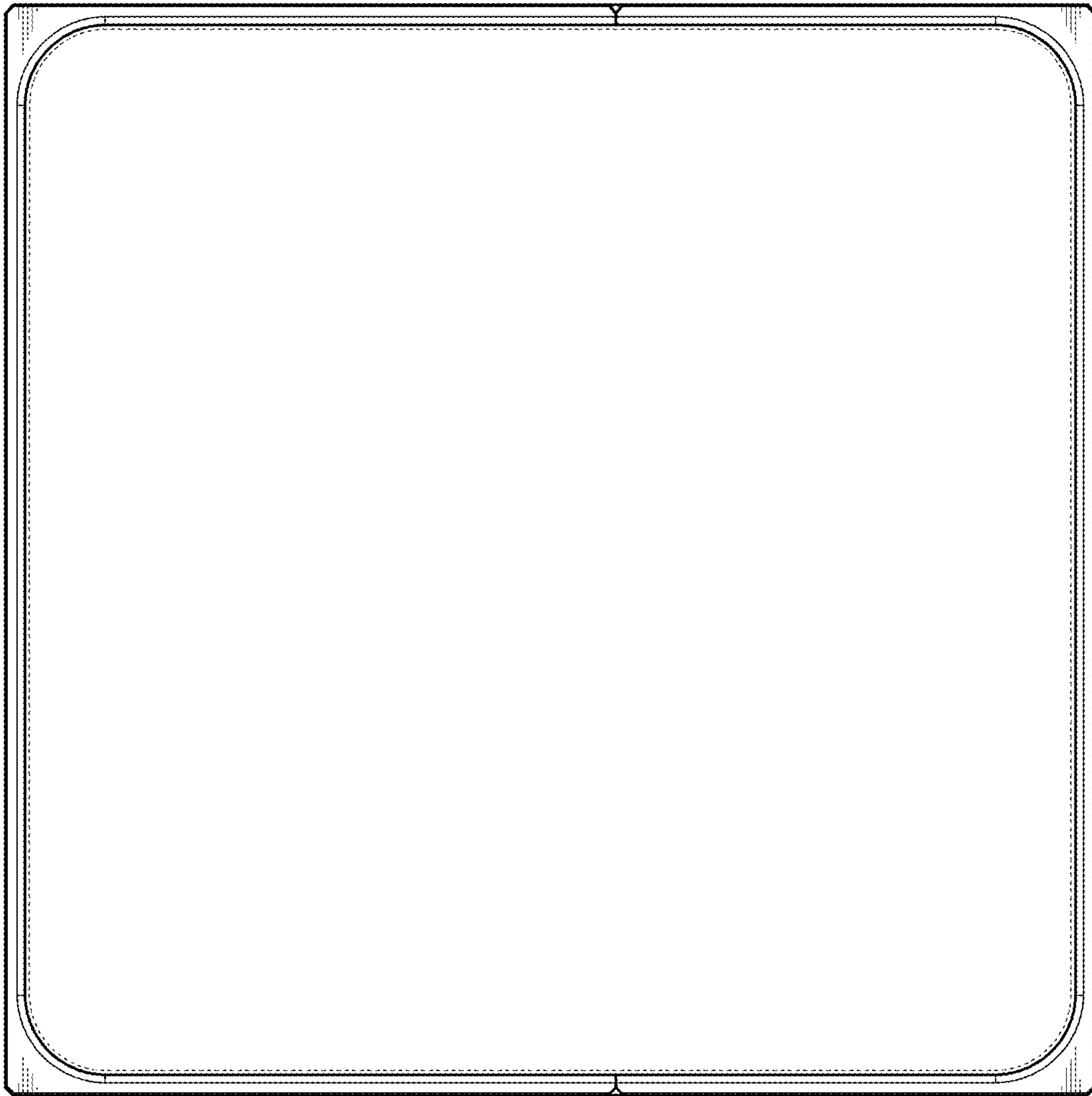


FIG. 4

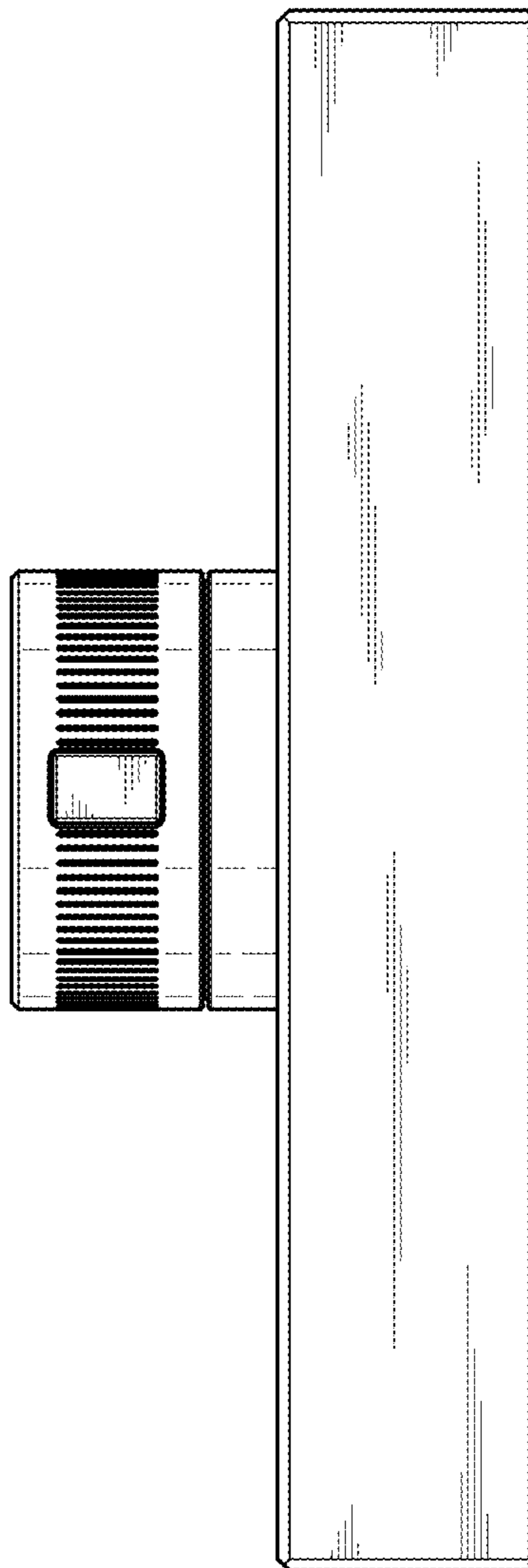


FIG. 5

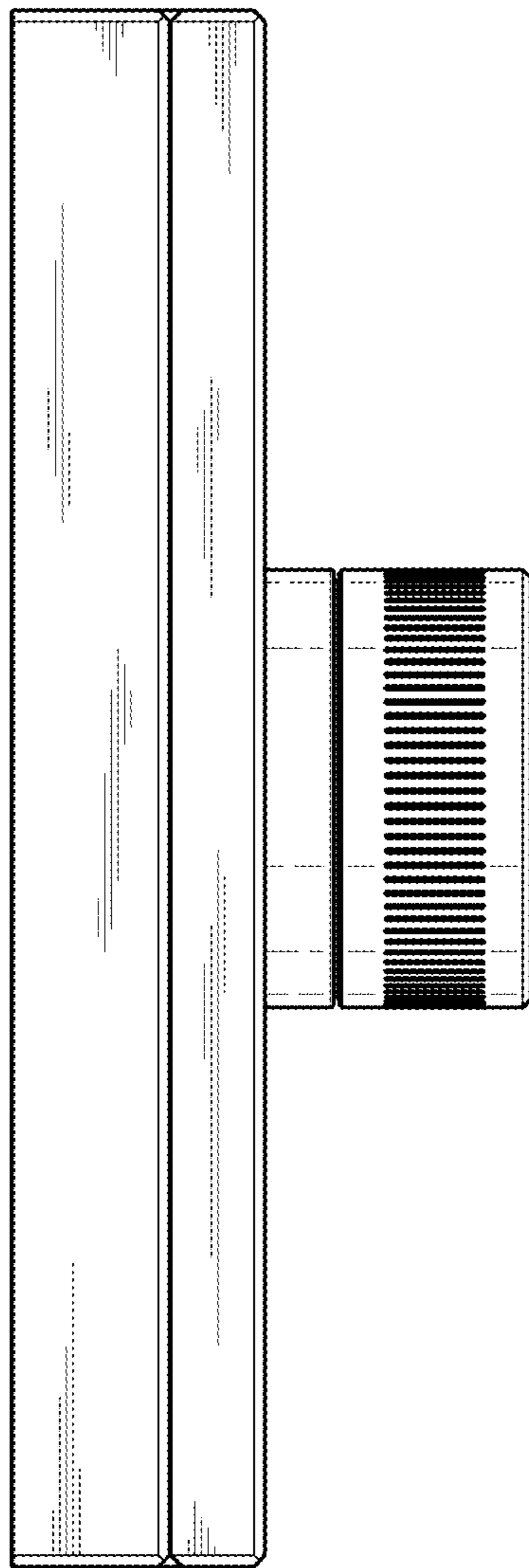


FIG. 6

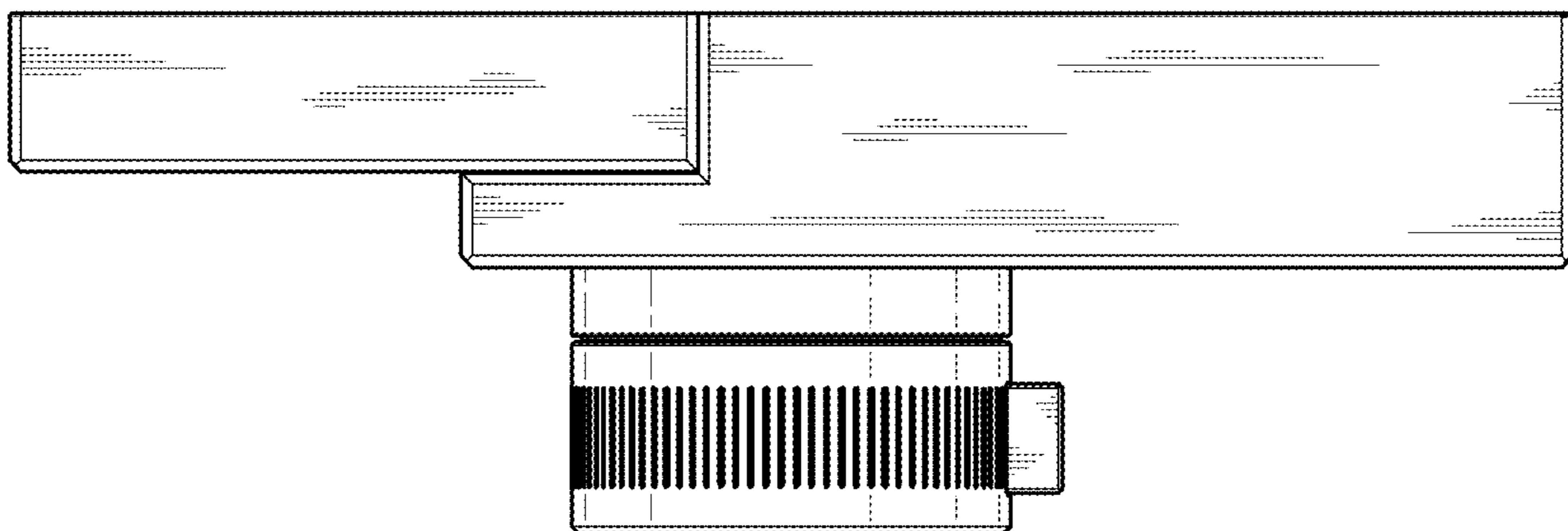


FIG. 7

