



US00D898870S

(12) **United States Design Patent** (10) **Patent No.:** **US D898,870 S**
Massaud (45) **Date of Patent:** **** Oct. 13, 2020**

(54) **FAUCET**
(71) Applicant: **Hansgrohe SE**, Schiltach (DE)
(72) Inventor: **Jean-Marie Massaud**, Paris (FR)
(73) Assignee: **Hansgrohe SE**, Schiltach (DE)
(**) Term: **15 Years**
(21) Appl. No.: **29/677,699**

D883,448 S * 5/2020 Massaud D23/255
2014/0230143 A1 * 8/2014 Morales E03C 1/0404
4/676
2019/0145533 A1 * 5/2019 Pirutin E03C 1/0412
137/896

FOREIGN PATENT DOCUMENTS

CN 305266038 * 7/2018
CN ZL2018303002099 12/2018
CN 305270637 * 1/2019

(Continued)

(22) Filed: **Jan. 23, 2019**
(30) **Foreign Application Priority Data**

Jul. 26, 2018 (EM) 005515749-0004

(51) **LOC (12) Cl.** **23-01**
(52) **U.S. Cl.**
USPC **D23/238**
(58) **Field of Classification Search**
USPC D23/238-242, 255; 137/896; 4/676
CPC F16K 11/087; E03C 1/04; C02F 1/00
See application file for complete search history.

(56) **References Cited**

U.S. PATENT DOCUMENTS

D461,529 S * 8/2002 Gottwald D23/238
D612,458 S * 3/2010 Allard D23/255
D713,009 S * 9/2014 Citterio D23/241
D717,915 S * 11/2014 Fritz D23/239
D757,229 S * 5/2016 Garland D23/255
D771,776 S * 11/2016 Schoenherr D23/239
9,533,893 B2 * 1/2017 Chiu B01D 63/04
D790,664 S * 6/2017 Eads D23/238
D790,666 S * 6/2017 Lord D23/239
D810,239 S * 2/2018 Schoenherr D23/238
D810,240 S * 2/2018 Schoenherr D23/238
D816,803 S * 5/2018 Ravassa D23/238
D857,171 S * 8/2019 Bahler D23/239

OTHER PUBLICATIONS

Freestanding Bathtub Faucet, Announced Jan. 9, 2019[online], [site visited Jun. 30, 2020]. Available from internet, URL:<<https://www.amazon.com/Wowkk-Freestanding-Bathtub-Bathroom-Faucets/dp/B07MY54322>> (Year: 2019).*

(Continued)

Primary Examiner — Barbara Fox
Assistant Examiner — Jamaal Rasheed
(74) *Attorney, Agent, or Firm* — Lora J. Graentzdoerffer

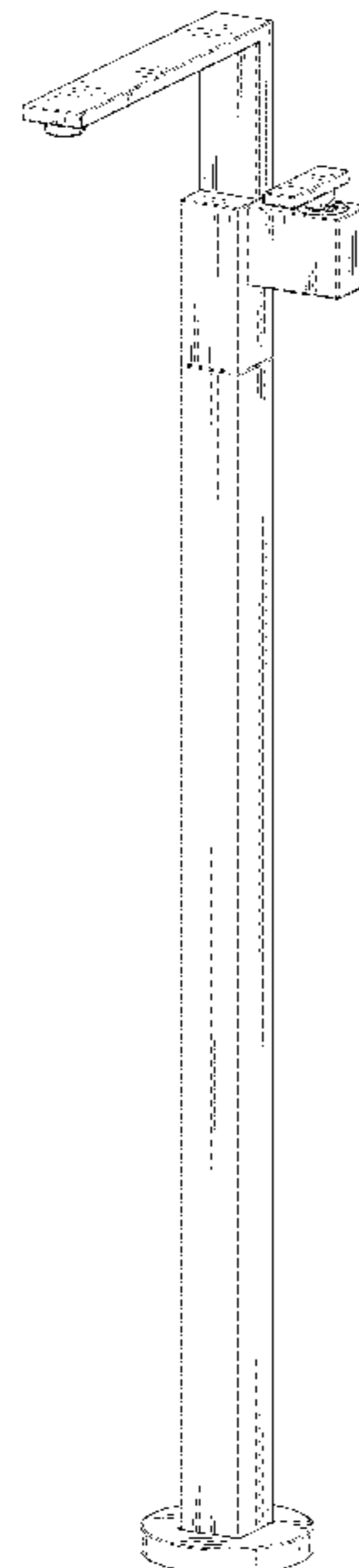
(57) **CLAIM**

The ornamental design for a faucet, as shown and described.

DESCRIPTION

FIG. 1 is a perspective view of a faucet showing my design; FIG. 2 is a front elevation view; FIG. 3 is a rear elevation view; FIG. 4 is a right side elevation view; FIG. 5 is a left side elevation view; FIG. 6 is a top plan view; and, FIG. 7 is a bottom plan view. The broken-line disclosures in the view represents portions of the faucet in which the claimed design is embodied, but which forms no part of the claimed design.

1 Claim, 7 Drawing Sheets



(56)

References Cited

FOREIGN PATENT DOCUMENTS

EM	003180363-0034		6/2016
IN	278608-0001	*	6/2015
IN	314093-001-0001	*	1/2019
WO	DM/101579		6/2018

OTHER PUBLICATIONS

Artiqua Bathtub Faucet, Announced Nov. 25, 2018[online], [site visited Jun. 30, 2019]. Available from internet, URL:<<https://www.amazon.com/Artiqua-Freestanding-Bathtub-Bathroom-Handheld/dp/B07QFZJ3PK>> (Year: 2018).*

Shower Faucet Floor Mount, Announced Sep. 16, 2016[online], [site visited Jun. 30, 2020]. Available from internet, URL:<<https://www.amazon.com/Votamuta-VO091217-ORB003/dp/B01LX7GVTZ>> (Year: 2016).*

* cited by examiner

FIG. 1

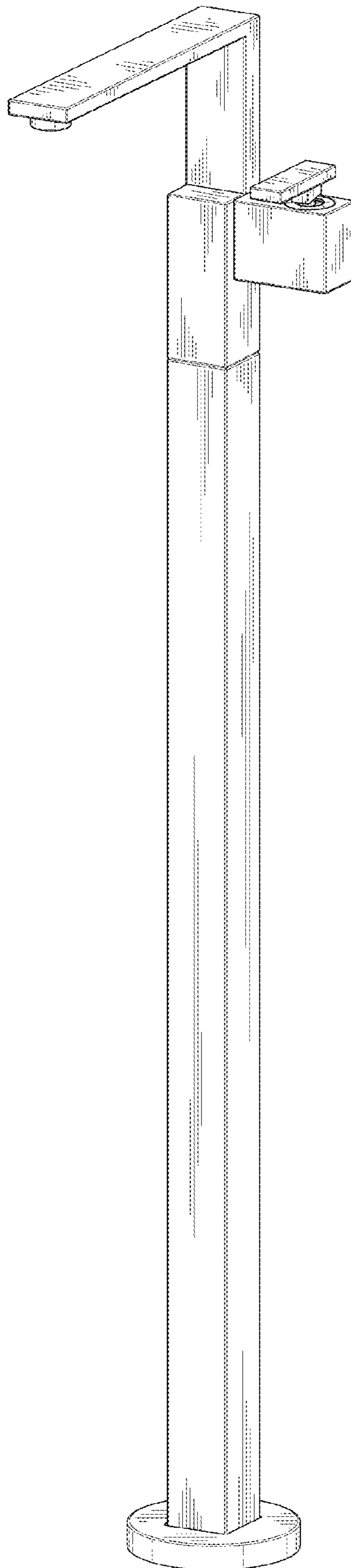


FIG. 2

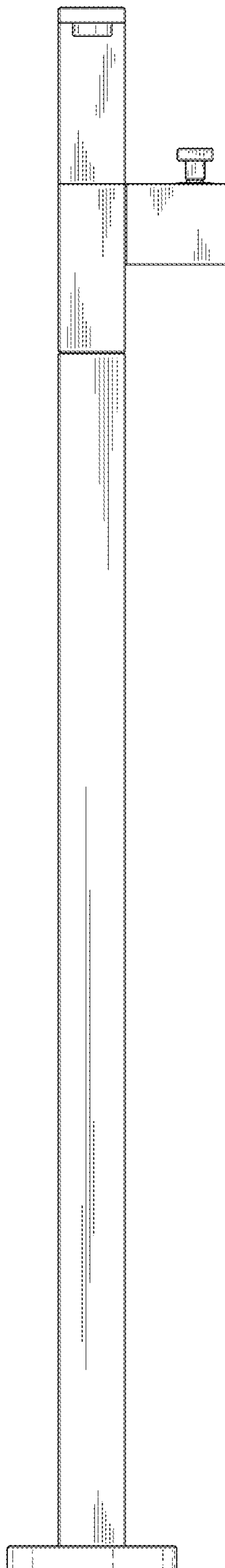


FIG. 3

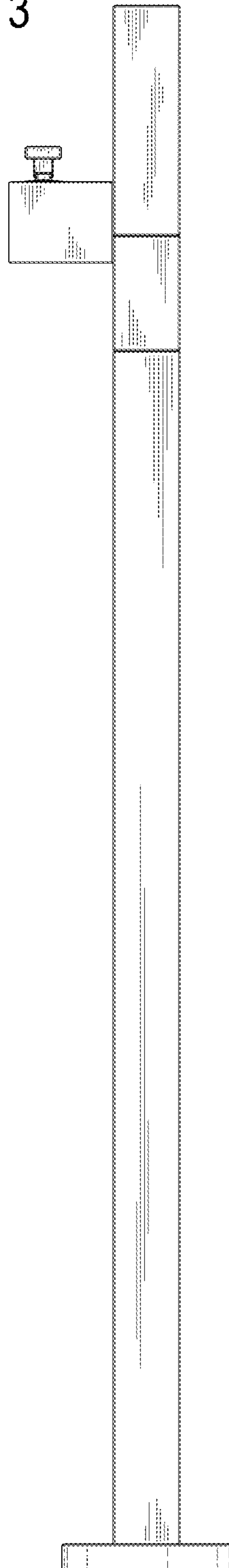


FIG. 4

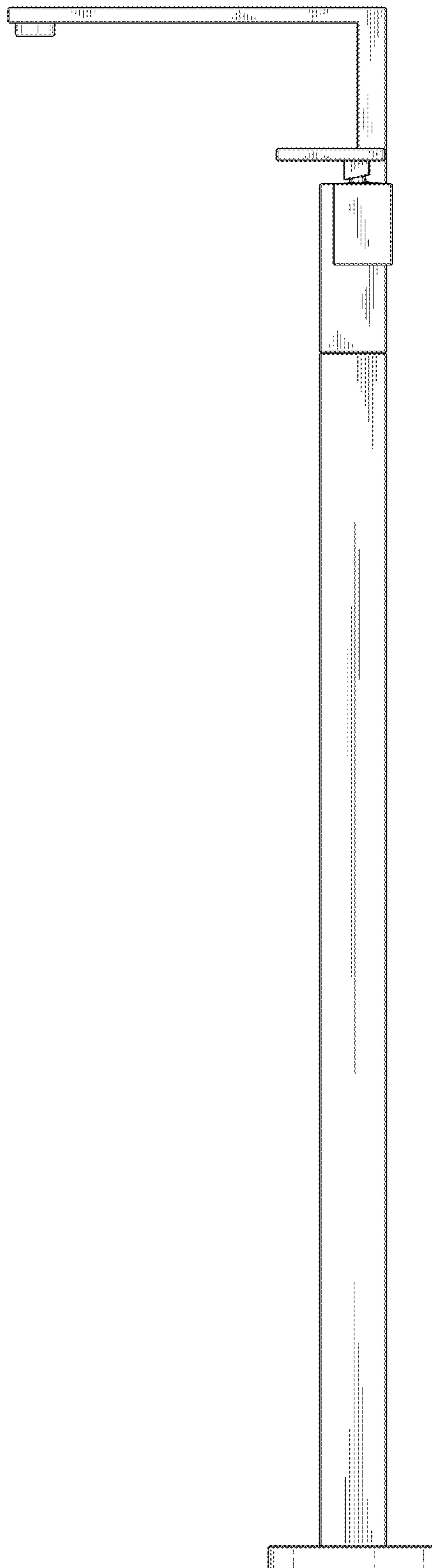


FIG. 5

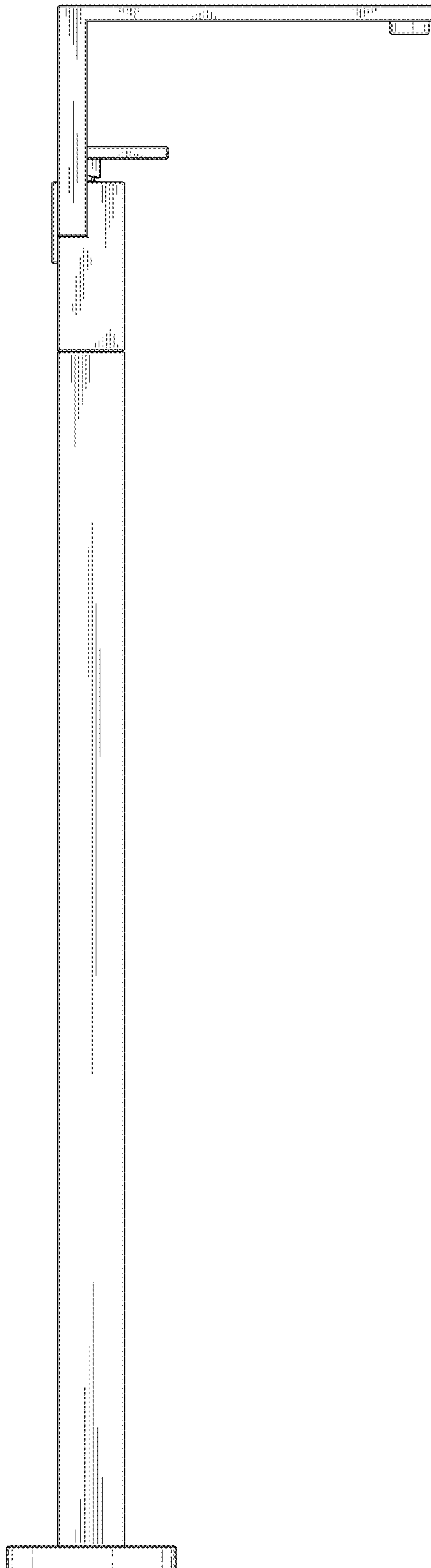


FIG. 6

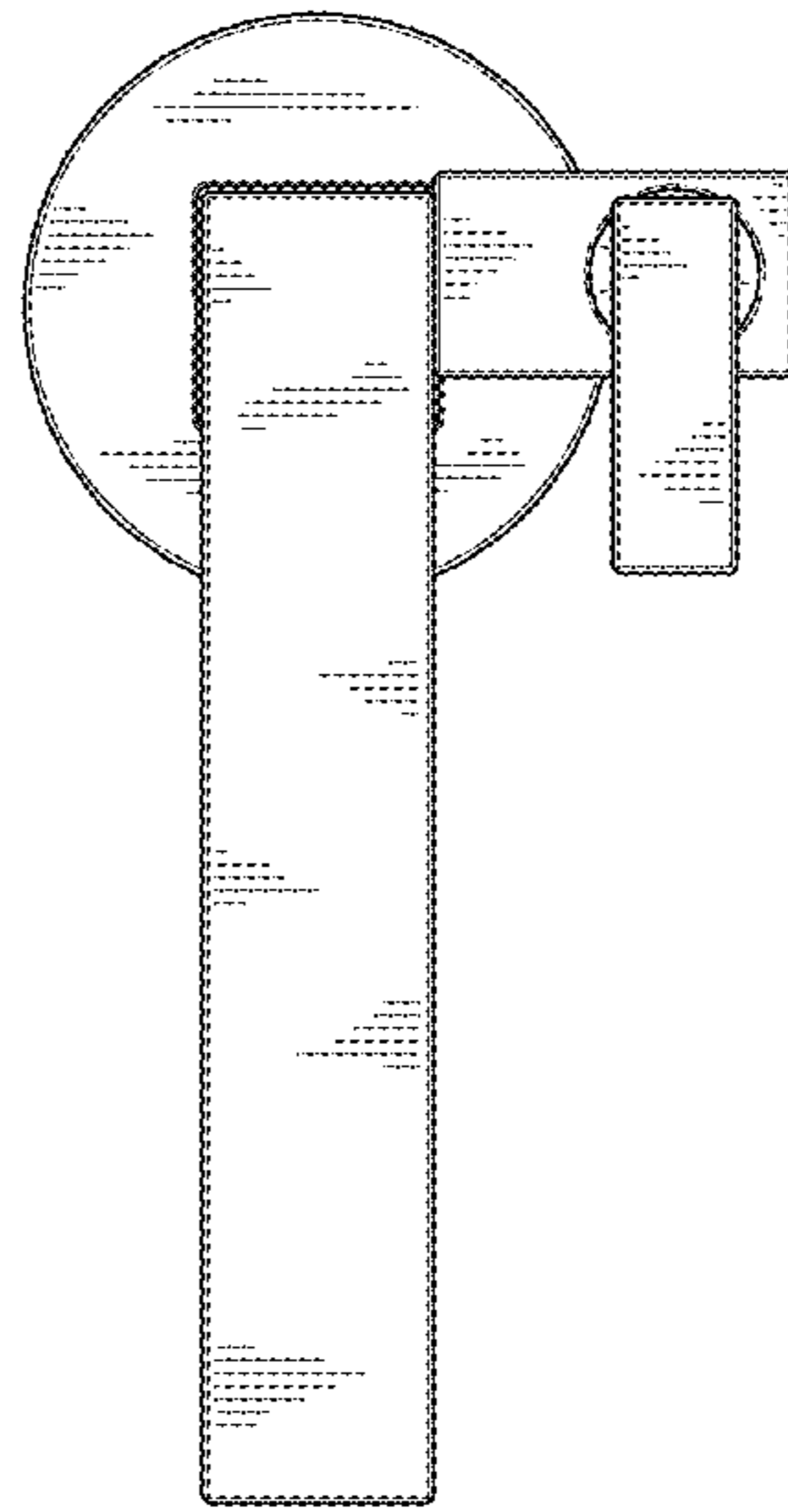


FIG. 7

