

US00D898868S

(12) **United States Design Patent**
Schulz et al.

(10) **Patent No.:** **US D898,868 S**

(45) **Date of Patent:** **** Oct. 13, 2020**

(54) **LIQUID DELIVERY SYSTEM LID**
(71) Applicant: **3M INNOVATIVE PROPERTIES COMPANY**, St. Paul, MN (US)
(72) Inventors: **Mark F. Schulz**, Lake Elmo, MN (US); **Brian S. Boothman**, San Jose, CA (US); **Scott D. Gullicks**, Woodbury, MN (US); **Mark S. Menzenski**, Hammond, WI (US)

2,651,545 A 9/1953 Shotton
3,993,250 A 11/1976 Shure
4,135,647 A 1/1979 Mascia
4,167,503 A 9/1979 Cipriani
4,183,673 A 1/1980 Easley
4,187,959 A 2/1980 Pelton
4,570,833 A 2/1986 Vanderjagt
4,583,487 A 4/1986 Wood
4,735,345 A 4/1988 Lee
4,987,975 A 1/1991 Liu
5,014,884 A 5/1991 Wunsch

(Continued)

(73) Assignee: **3M Innovative Properties Company**, St. Paul, MN (US)

FOREIGN PATENT DOCUMENTS

(**) Term: **15 Years**

EP 0623445 11/1994
EP 3135452 3/2017

(Continued)

(21) Appl. No.: **29/663,112**

(22) Filed: **Sep. 12, 2018**

Primary Examiner — Michael C Stout
Assistant Examiner — Fritzgerald L Butac

(51) **LOC (12) Cl.** **23-01**

(52) **U.S. Cl.**
USPC **D23/225; D7/392**

(57) **CLAIM**

The ornamental design for a liquid delivery system lid, as shown and described.

(58) **Field of Classification Search**
USPC D7/387, 392, 393, 395, 397, 398, 415, D7/665, 668, 694, 624.3, 633, 589, 312, D7/313, 316, 317, 321, 322; D8/40, 82, D8/83, 94, 300, 330, 331, 333, 349, 367, D8/382, 383, 385, 395, 396, 399; D9/434, 435, 436, 440, 443, 447, 448, D9/449, 454, 730, 733, 682; D15/122, D15/126, 135, 136, 138, 144.2, 147, 199; D23/223, 225, 224, 200, 205, 206, 213, D23/226, 227, 229, 233, 235
CPC B05B 9/08; B05B 7/2405; B05B 7/2408; B05B 7/241; B05B 7/2421; B05B 7/2478; B65D 47/06

DESCRIPTION

FIG. 1 is a perspective view of a liquid delivery system lid embodying the new design.
FIG. 2 is a front view thereof;
FIG. 3 is a back view thereof;
FIG. 4 is a left side view thereof;
FIG. 5 is a right side view thereof;
FIG. 6 is a top view thereof;
FIG. 7 is a bottom view thereof; and,
FIG. 8 is a perspective view thereof along with other components of a liquid delivery system.
The broken, dashed lines in the drawings are shown for illustrative purposes only and form no part of the claimed design.

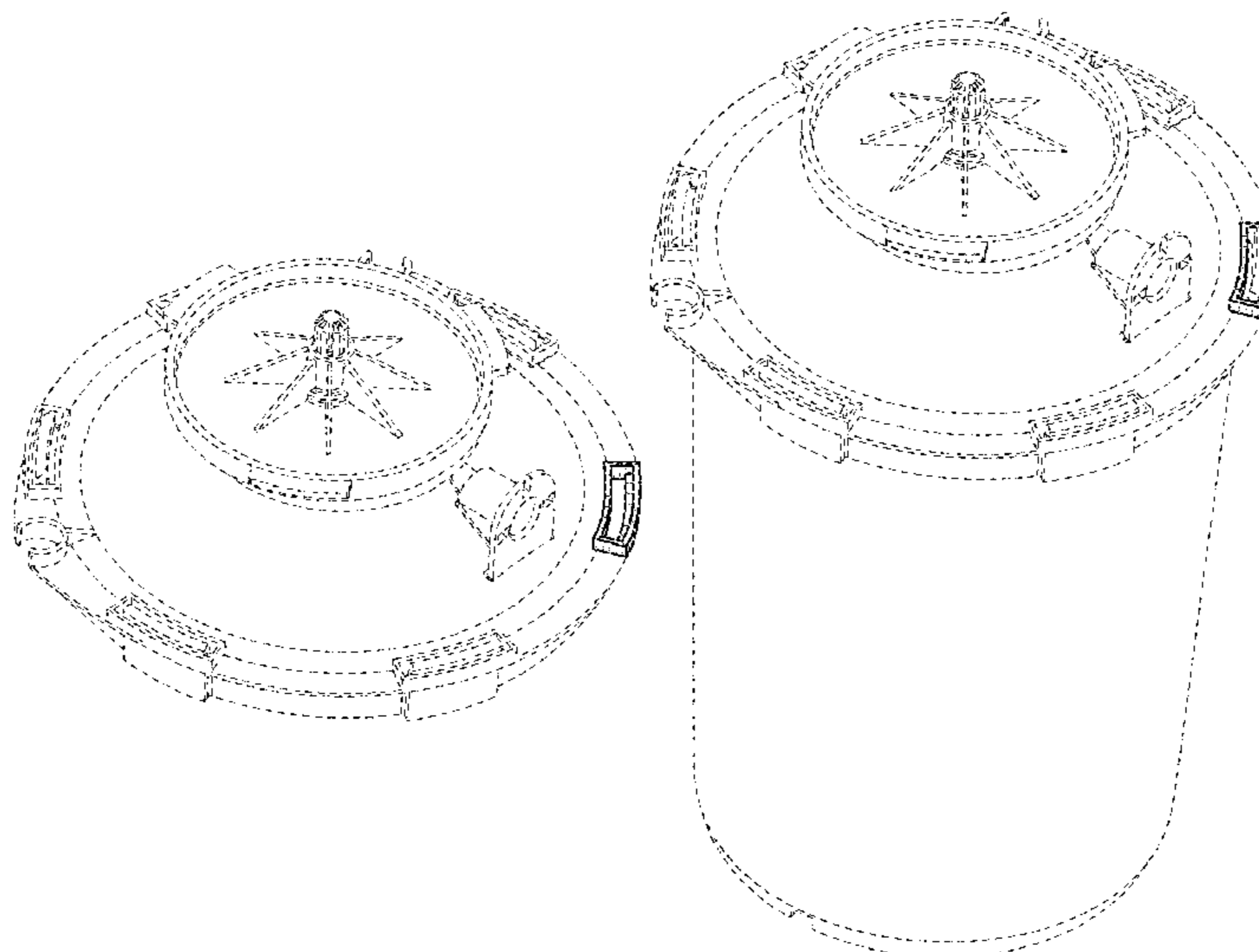
See application file for complete search history.

(56) **References Cited**

U.S. PATENT DOCUMENTS

2,413,710 A 1/1947 Jason
2,619,292 A 11/1952 Nichols

1 Claim, 6 Drawing Sheets



(56)

References Cited

U.S. PATENT DOCUMENTS

5,301,838 A 4/1994 Schmidt
 5,375,634 A 12/1994 Egger
 5,431,200 A 7/1995 Mariotti
 5,539,952 A 7/1996 Hayes
 D374,555 S * 10/1996 McMath D3/272
 5,636,762 A 6/1997 Juhola
 5,797,519 A 8/1998 Schroeder
 5,836,482 A 11/1998 Ophardt
 5,909,825 A 6/1999 Lydford
 5,955,116 A 9/1999 Kehoe
 6,053,218 A 4/2000 Boers
 6,142,750 A 11/2000 Benecke
 6,254,363 B1 7/2001 Fink
 6,343,724 B1 2/2002 Ophardt
 6,648,611 B2 11/2003 Morse
 6,651,849 B2 11/2003 Schroeder
 6,669,358 B2 12/2003 Shimoda
 6,890,161 B2 5/2005 Paukovits, Jr.
 6,957,751 B2 10/2005 Ophardt
 7,198,175 B2 4/2007 Ophardt
 7,277,664 B2 10/2007 Katsuyama
 7,278,776 B2 10/2007 Helbing
 7,416,096 B2 8/2008 Maguire
 7,513,380 B2 * 4/2009 Canedo A45F 3/18
 220/230
 7,681,765 B2 3/2010 Muderlak
 7,837,132 B2 11/2010 Mazooji
 7,845,582 B2 12/2010 Joseph
 D642,915 S * 8/2011 Swingle D9/440
 8,096,530 B2 1/2012 Pelfrey
 8,272,537 B2 9/2012 Varga
 8,360,278 B2 1/2013 Fiedler
 D686,914 S * 7/2013 Harvey D9/428
 8,544,692 B2 10/2013 Rusch
 8,596,555 B2 12/2013 Thompson
 D716,141 S * 10/2014 Rush D9/447
 D738,215 S * 9/2015 Schwarz D9/449
 D751,341 S * 3/2016 Seiders D7/396.2
 D777,032 S * 1/2017 Buck D9/447
 D779,325 S * 2/2017 Vigoureux D7/601
 D793,530 S * 8/2017 Hegdahl D23/225

D801,810 S * 11/2017 Engel D9/436
 D803,051 S * 11/2017 Engel D9/436
 D810,864 S 2/2018 Hegdahl et al.
 D810,868 S * 2/2018 Hegdahl D23/225
 D810,869 S 2/2018 Boothman et al.
 D810,870 S * 2/2018 Hegdahl D23/225
 D810,871 S * 2/2018 Hegdahl D23/225
 D811,525 S * 2/2018 Hegdahl D23/225
 D812,101 S * 3/2018 Crawford D15/5
 D813,985 S * 3/2018 Hegdahl D23/225
 D828,158 S * 9/2018 Manis D9/436
 D851,984 S * 6/2019 Hill D7/392.1
 D873,301 S * 1/2020 Crawford D15/5
 D880,227 S * 4/2020 Lofholm D7/392.1
 2004/0197435 A1 10/2004 Shepherd
 2005/0052945 A1 3/2005 Maguire
 2005/0092386 A1 5/2005 Kaufhold
 2005/0139612 A1 6/2005 Matthews
 2006/0278657 A1 12/2006 Roatis
 2008/0277421 A1 11/2008 Zlatic
 2009/0200340 A1 8/2009 Ophardt
 2009/0212071 A1 8/2009 Tom
 2010/0140288 A1 6/2010 Jones
 2010/0254730 A1 10/2010 Centofante
 2010/0254731 A1 10/2010 Centofante
 2011/0108568 A1 5/2011 Hogan
 2013/0270303 A1 10/2013 Centofante

FOREIGN PATENT DOCUMENTS

ES 8707882 9/1987
 FR 2672279 8/1992
 JP 2002-046338 2/2002
 JP 2007136719 6/2007
 WO WO 2005/000955 1/2005
 WO WO 2007/039378 4/2007
 WO WO 2007/080150 7/2007
 WO WO 2011/046802 4/2011
 WO WO 2011/085012 7/2011
 WO WO 2012/048172 4/2012
 WO WO 2013/074923 5/2013
 WO WO 2017/123707 7/2017
 WO WO 2019/005726 1/2019

* cited by examiner

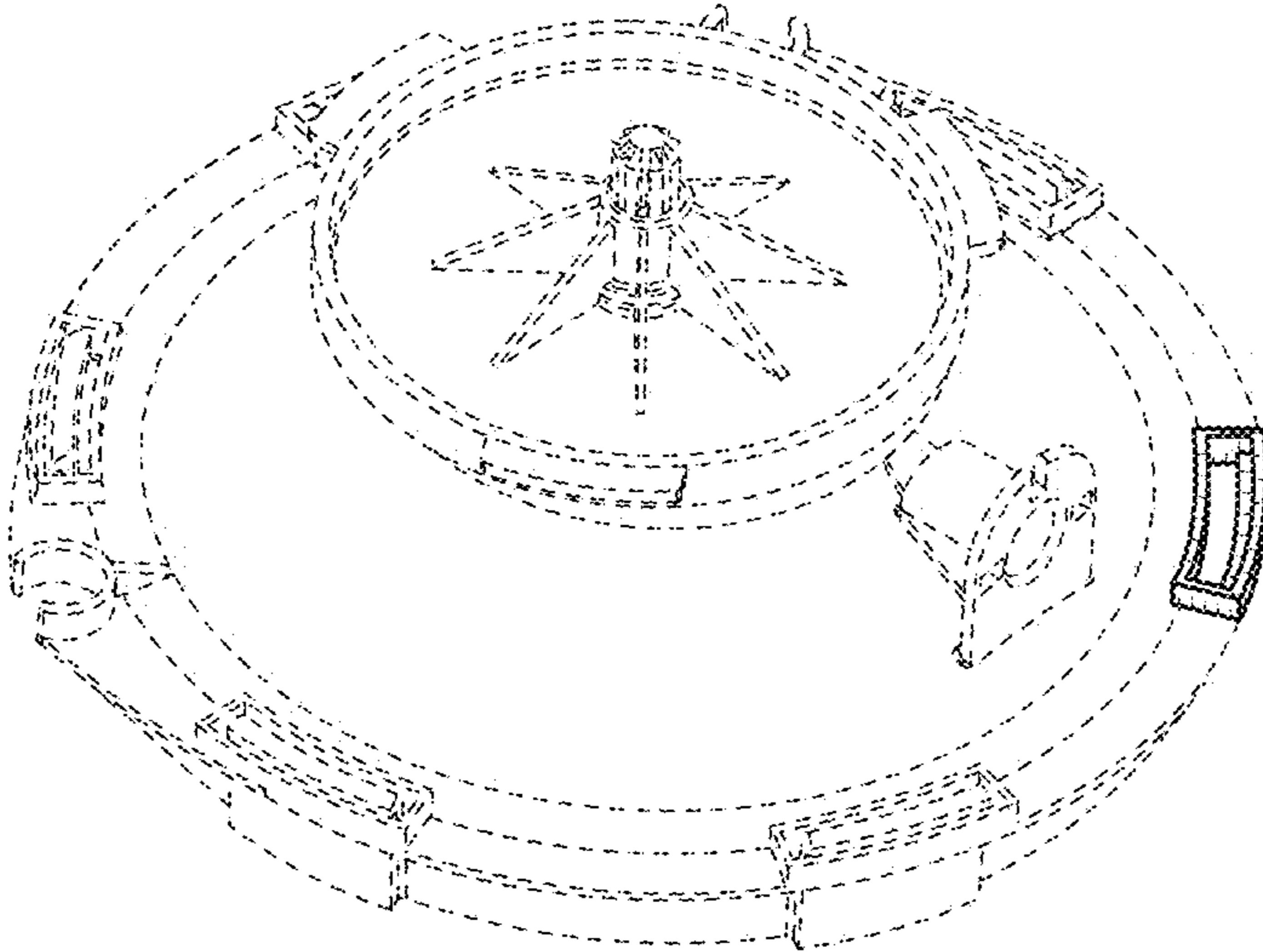


FIG. 1

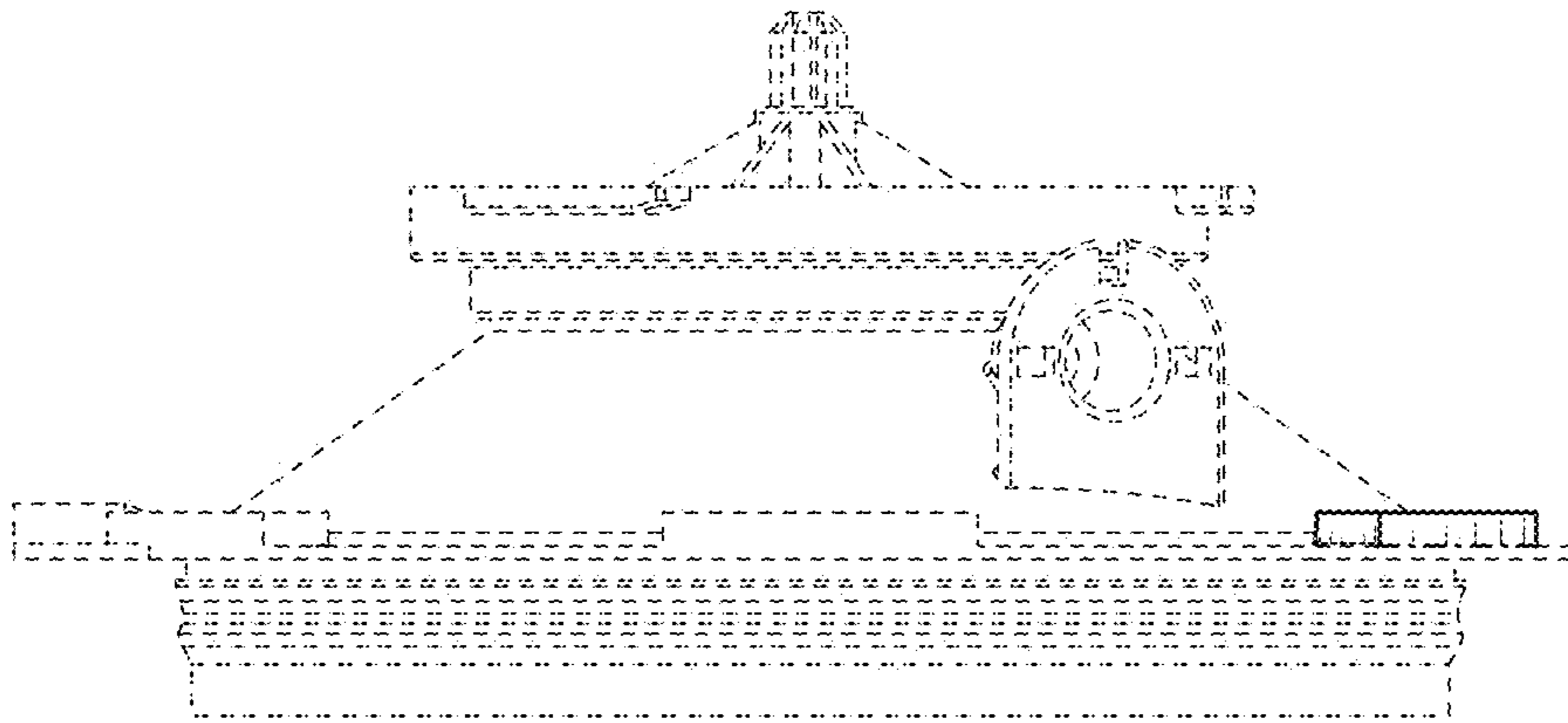


FIG. 2

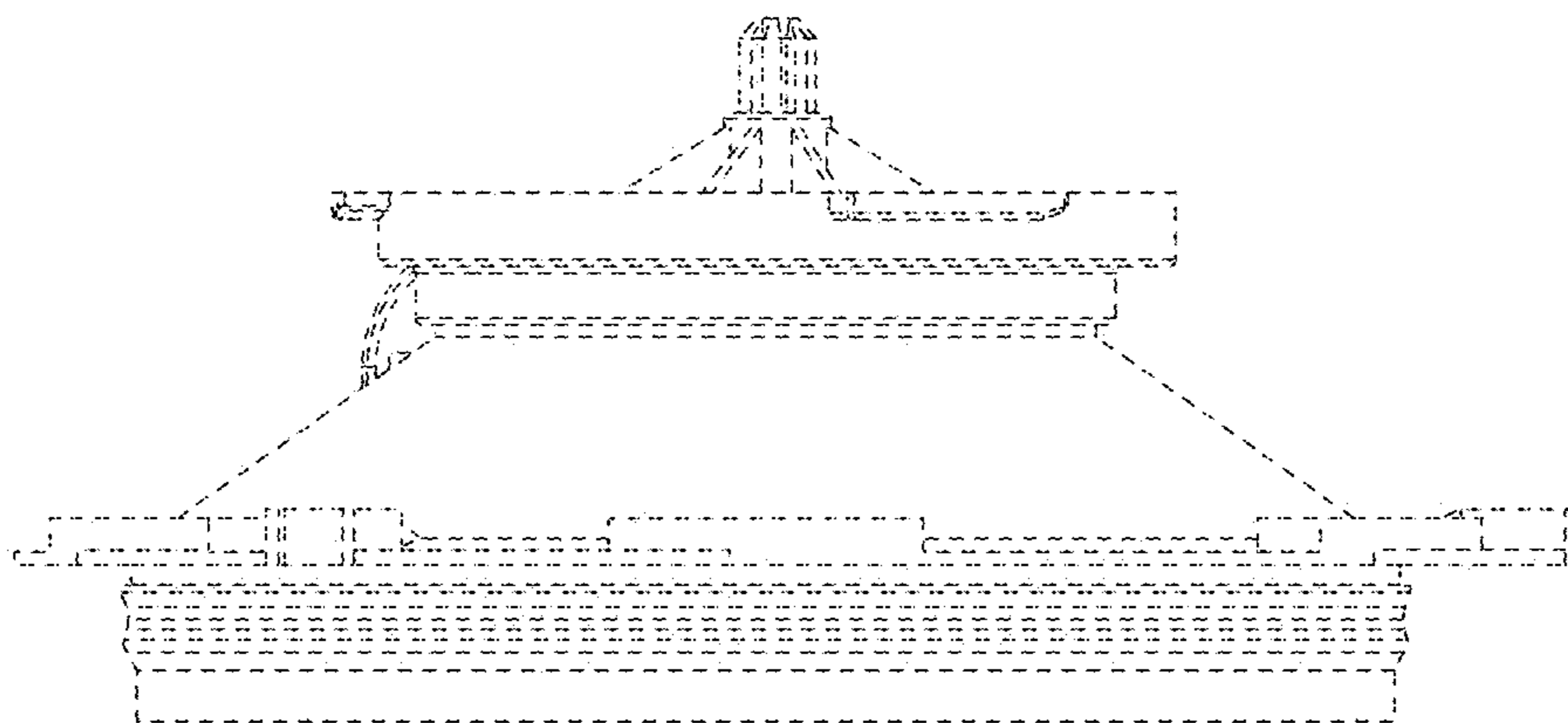


FIG. 3

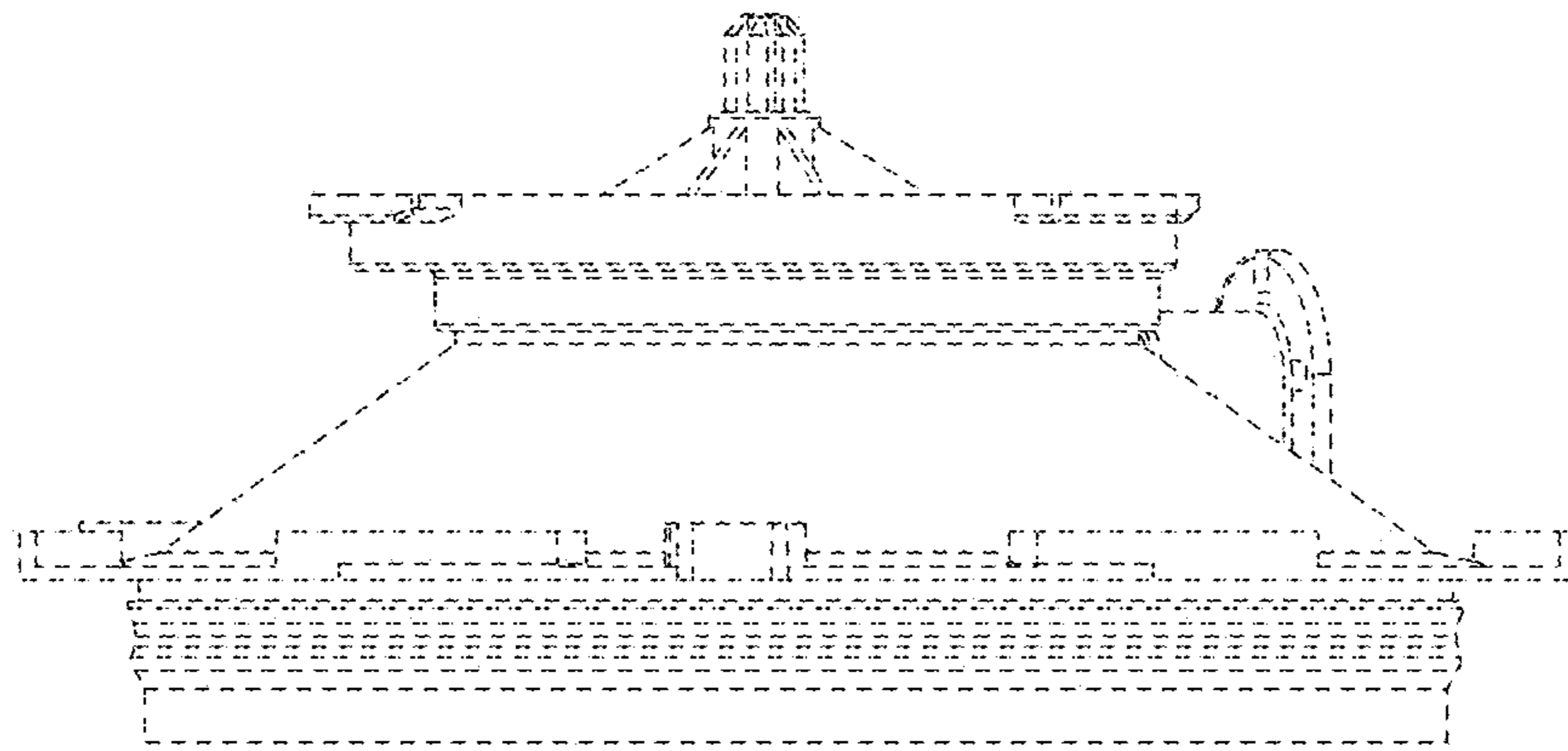


FIG. 4

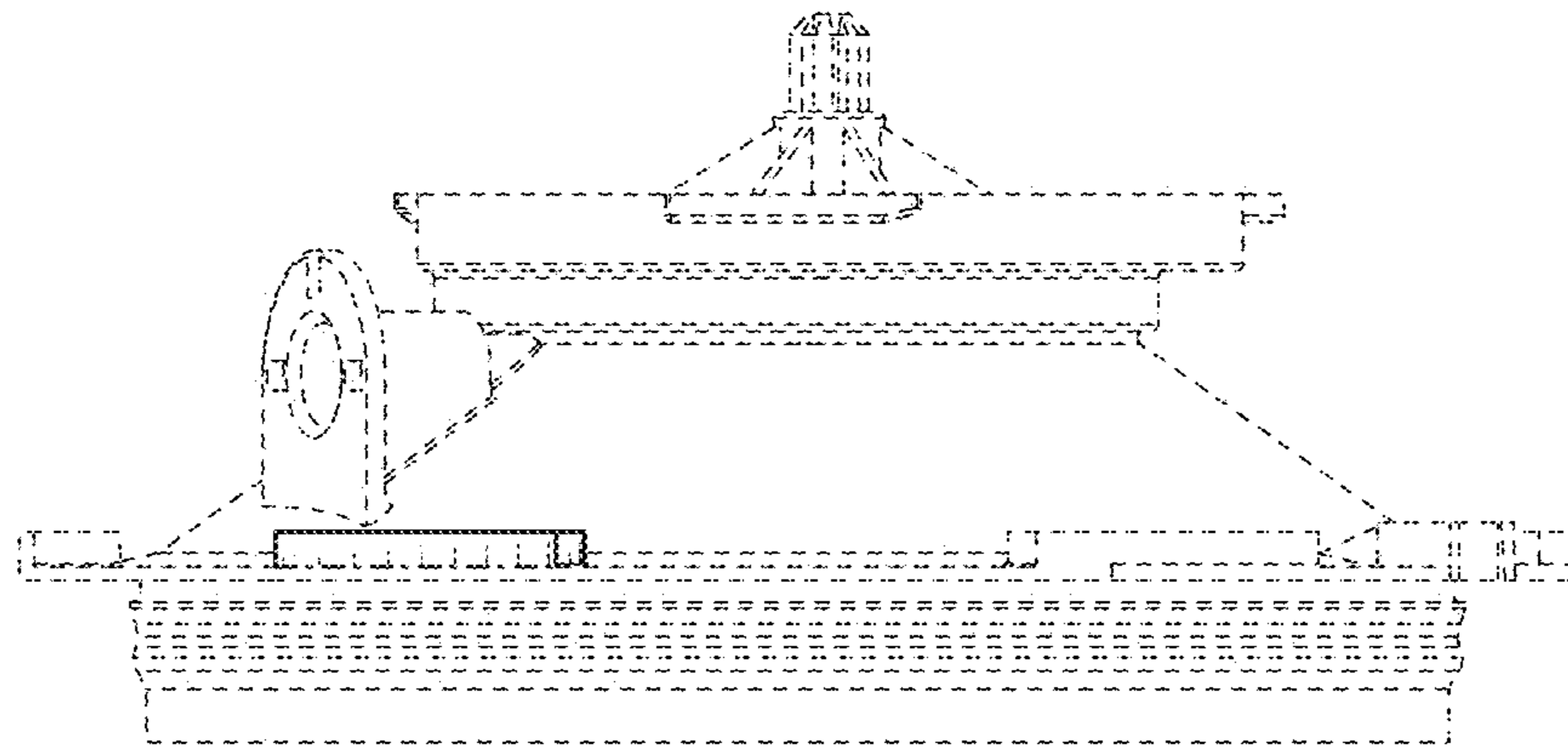


FIG. 5

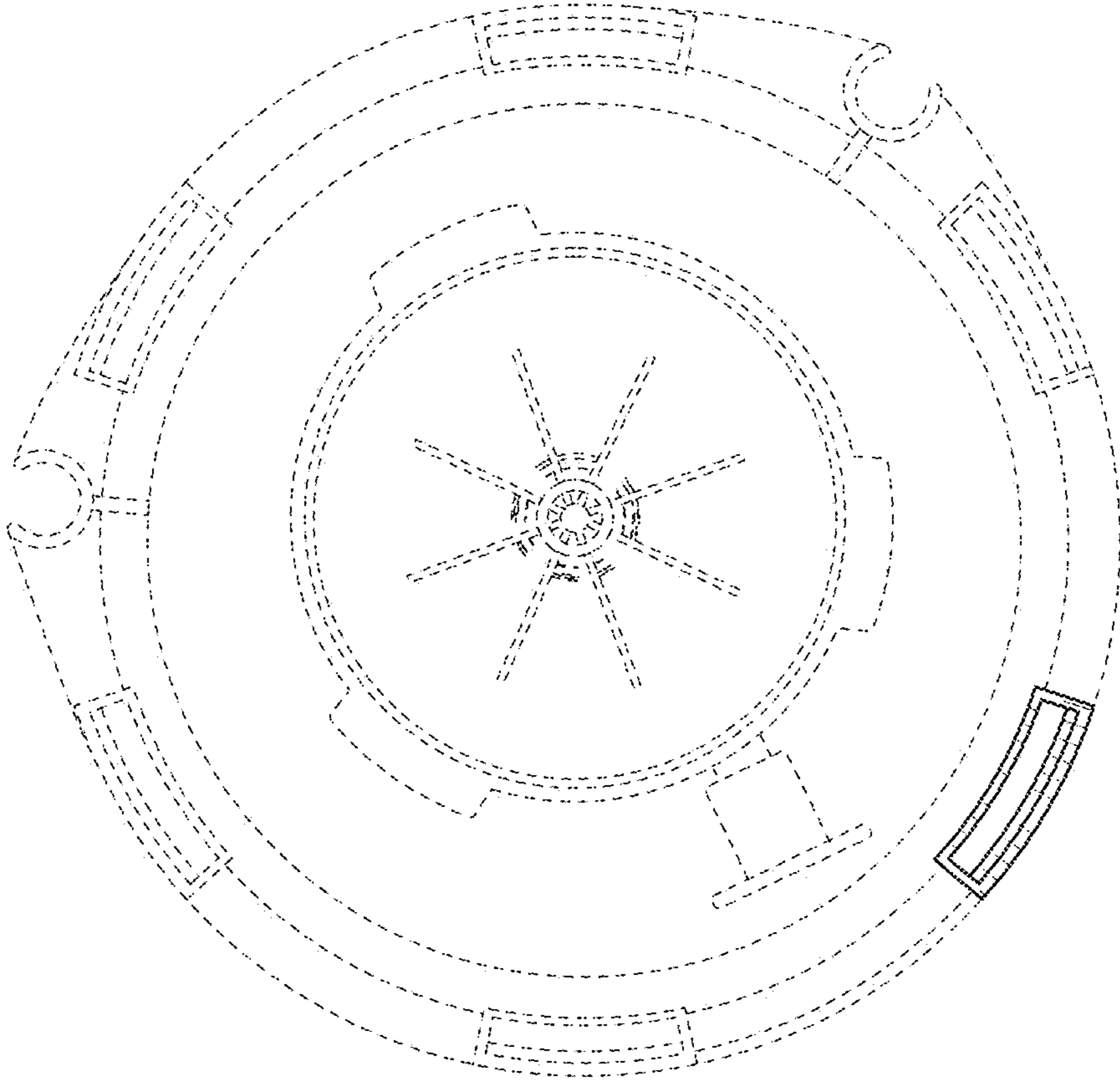


FIG. 6

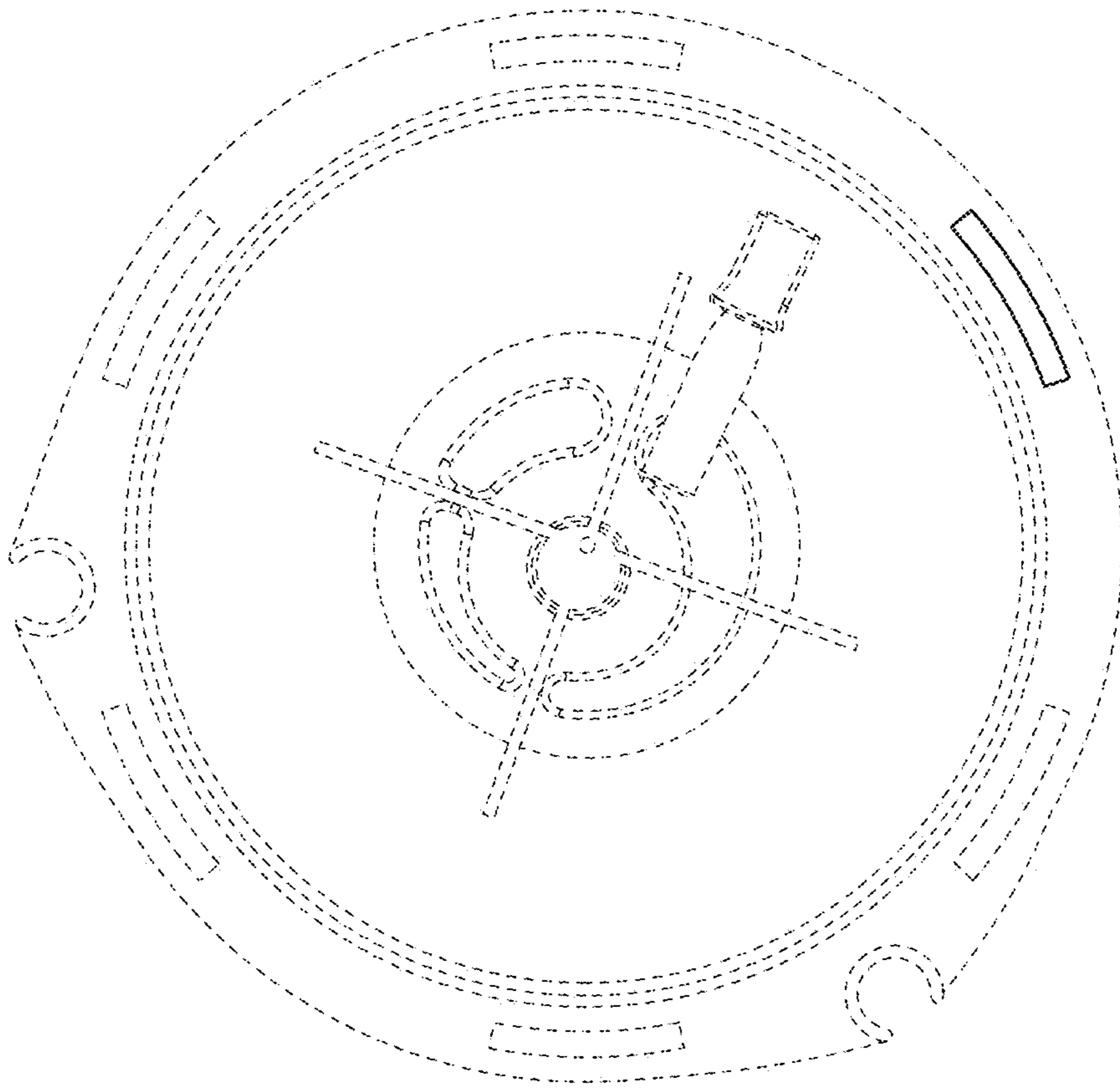


FIG. 7

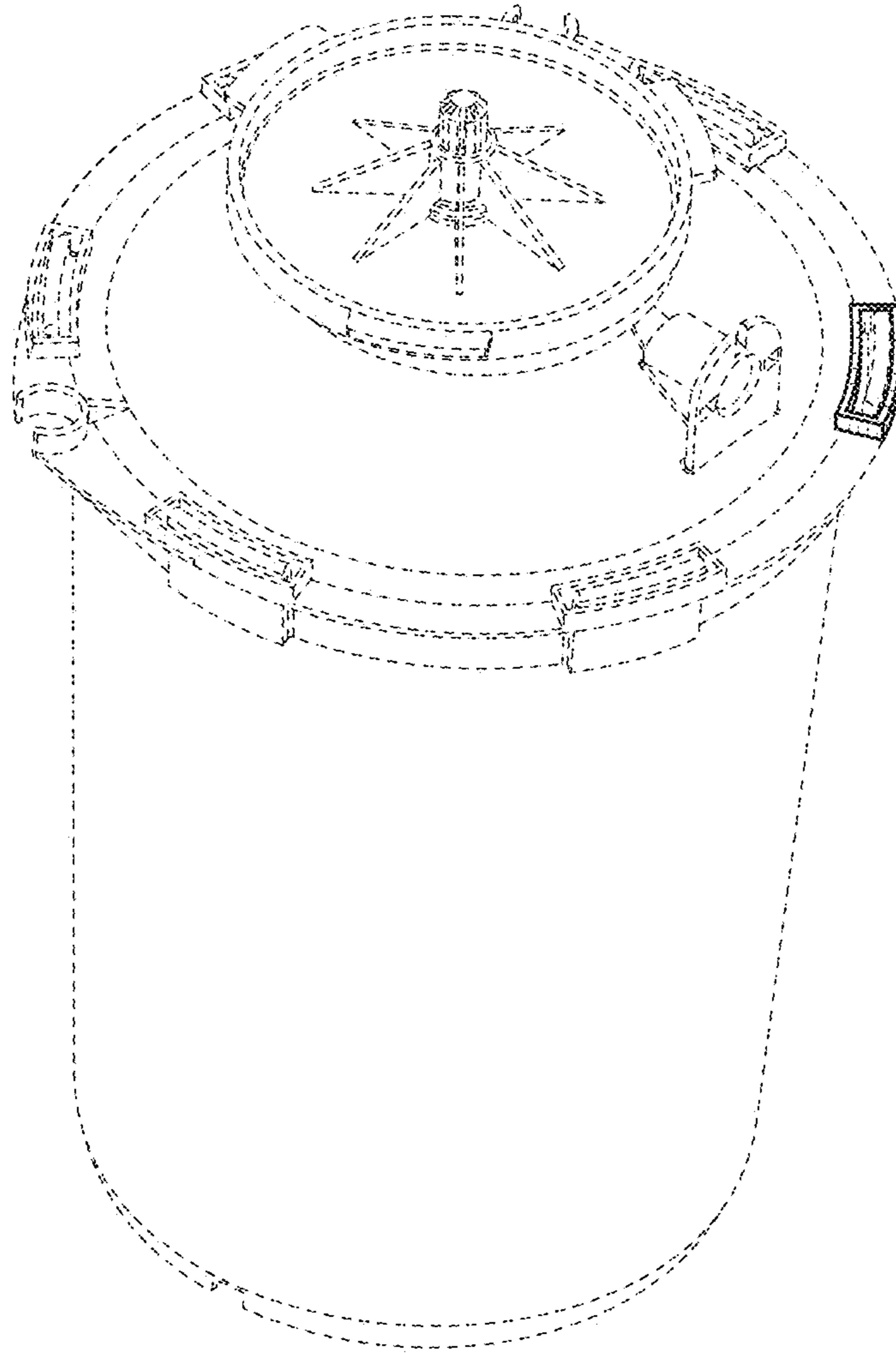


FIG. 8