

US00D898867S

(12) **United States Design Patent** (10) **Patent No.:** **US D898,867 S**
Yan (45) **Date of Patent:** **** Oct. 13, 2020**

(54) **SHOWER HEAD**
(71) Applicant: **Xiamen Galenpoo Kitchen&Bathroom Technology Co., Ltd., Fujian Province (CN)**

D744,611 S * 12/2015 Quinn D23/223
D755,346 S * 5/2016 Yan D23/223
9,404,243 B2 * 8/2016 Cacka B05B 1/1654
D779,039 S * 2/2017 Hanna D23/223
9,764,339 B2 * 9/2017 Yu B05B 1/18
D810,861 S * 2/2018 Weaver D23/213

(Continued)

(72) Inventor: **Xiaoling Yan, Fujian Province (CN)**

(**) Term: **15 Years**

(21) Appl. No.: **29/737,236**

(22) Filed: **Jun. 8, 2020**

(51) **LOC (12) Cl.** **23-01**

(52) **U.S. Cl.**
USPC **D23/223**

(58) **Field of Classification Search**
USPC D23/207, 213, 214, 215, 223, 224, 226, D23/229, 230
CPC A61H 9/0021; A61H 33/00; B05B 1/00; B05B 1/14; B05B 1/185; B05B 1/08; B05B 1/02; B05B 1/26; B05B 12/002; B05B 1/18; B05B 9/01
See application file for complete search history.

(56) **References Cited**

U.S. PATENT DOCUMENTS

6,537,455 B2 * 3/2003 Farley C02F 1/003
210/251
D559,945 S * 1/2008 Patterson D23/213
D564,621 S * 3/2008 Lammel D23/223
D578,604 S * 10/2008 Wu D23/223
D581,014 S * 11/2008 Quinn D23/223
D610,651 S * 2/2010 Wu D23/223
7,866,576 B1 * 1/2011 Farley E03C 1/0409
239/553
D634,810 S * 3/2011 Yoo D23/213
D659,796 S * 5/2012 Farley D23/223
D659,797 S * 5/2012 Farley D23/223
D666,010 S * 8/2012 Farley D6/309
D680,619 S * 4/2013 Zhadanov D23/223
D681,776 S * 5/2013 Cutler D23/223
D744,065 S * 11/2015 Peterson D23/223

OTHER PUBLICATIONS

<https://www.amazon.com/Antimicrobial-High-Pressure-30-setting-Combination-AquaDance/dp/> (Year: 2017).*

Primary Examiner — Cathron C Brooks

Assistant Examiner — Keith J Wilson

(74) *Attorney, Agent, or Firm* — ZANIP

(57) **CLAIM**

The ornamental design for a shower head, as shown and described.

DESCRIPTION

FIG. 1 is a front and top perspective view of a shower head, showing my new design;

FIG. 2 is a rear and bottom perspective view thereof;

FIG. 3 is a front elevational view thereof;

FIG. 4 is a rear elevational view thereof;

FIG. 5 is a left side elevational view thereof;

FIG. 6 is a right side elevational view thereof;

FIG. 7 is a top plan view thereof;

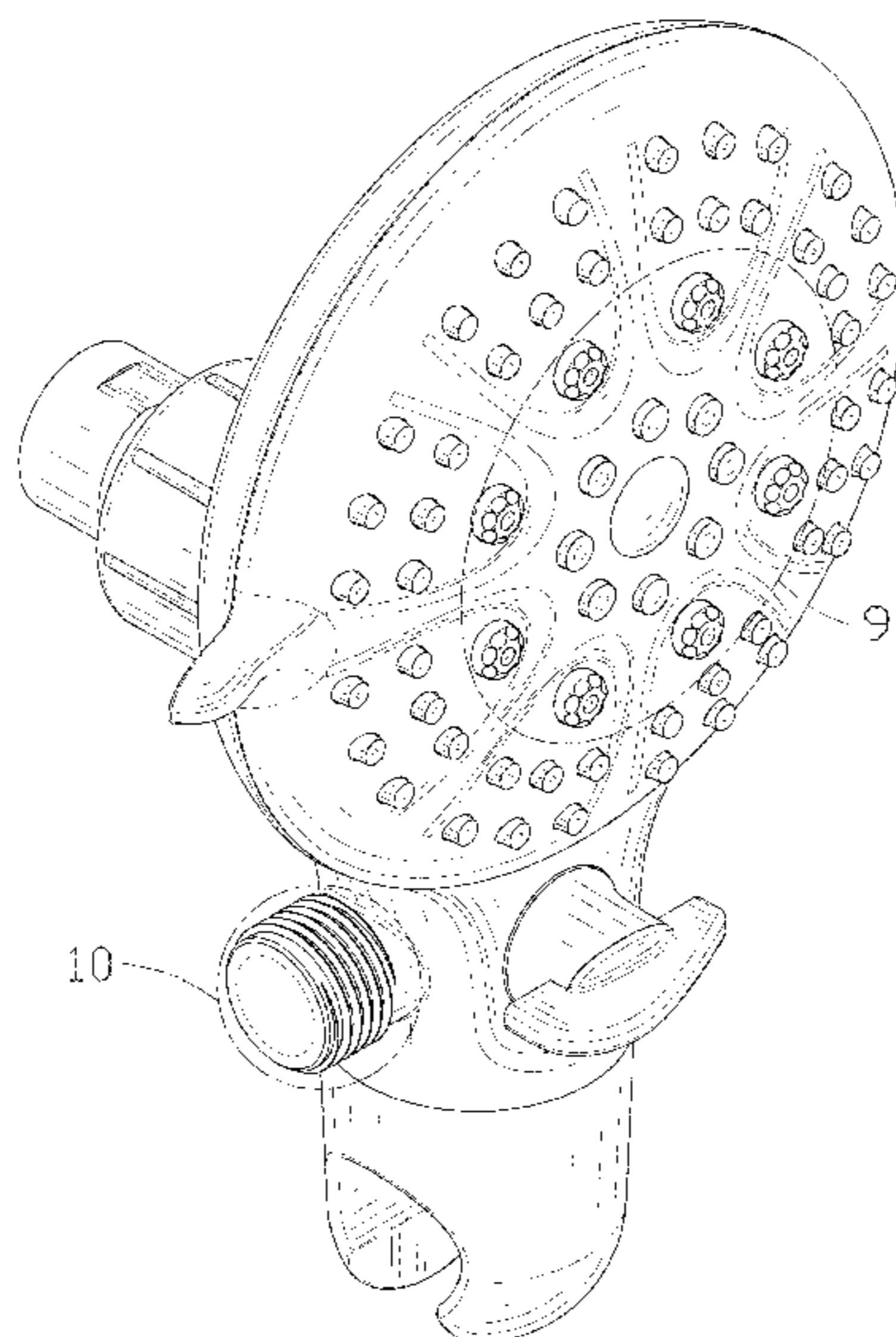
FIG. 8 is a bottom plan view thereof; and

FIG. 9 is an enlarged view of a portion indicated with numeric 9 in FIG. 1; and,

FIG. 10 is an enlarged view of a portion indicated with numeric 10 in FIG. 1.

The broken lines in the figures illustrate portions of the shower head that form no part of the claimed design. The dash dot dash lines in FIGS. 1, 9 and 10 are for the purpose of depicting the cut line of the enlarged view and form no part of the claim.

1 Claim, 10 Drawing Sheets



(56)

References Cited

U.S. PATENT DOCUMENTS

D820,388 S	6/2018	Seum et al.	
D820,949 S *	6/2018	Reinecker	D23/213
D842,967 S *	3/2019	Farley	D23/213
10,234,054 B1 *	3/2019	Yang	F16K 31/52408
D857,842 S *	8/2019	Yu	D23/213
2012/0031511 A1 *	2/2012	Farley	E03C 1/0408 137/544
2019/0091715 A1 *	3/2019	Mercado	B05B 1/185

* cited by examiner

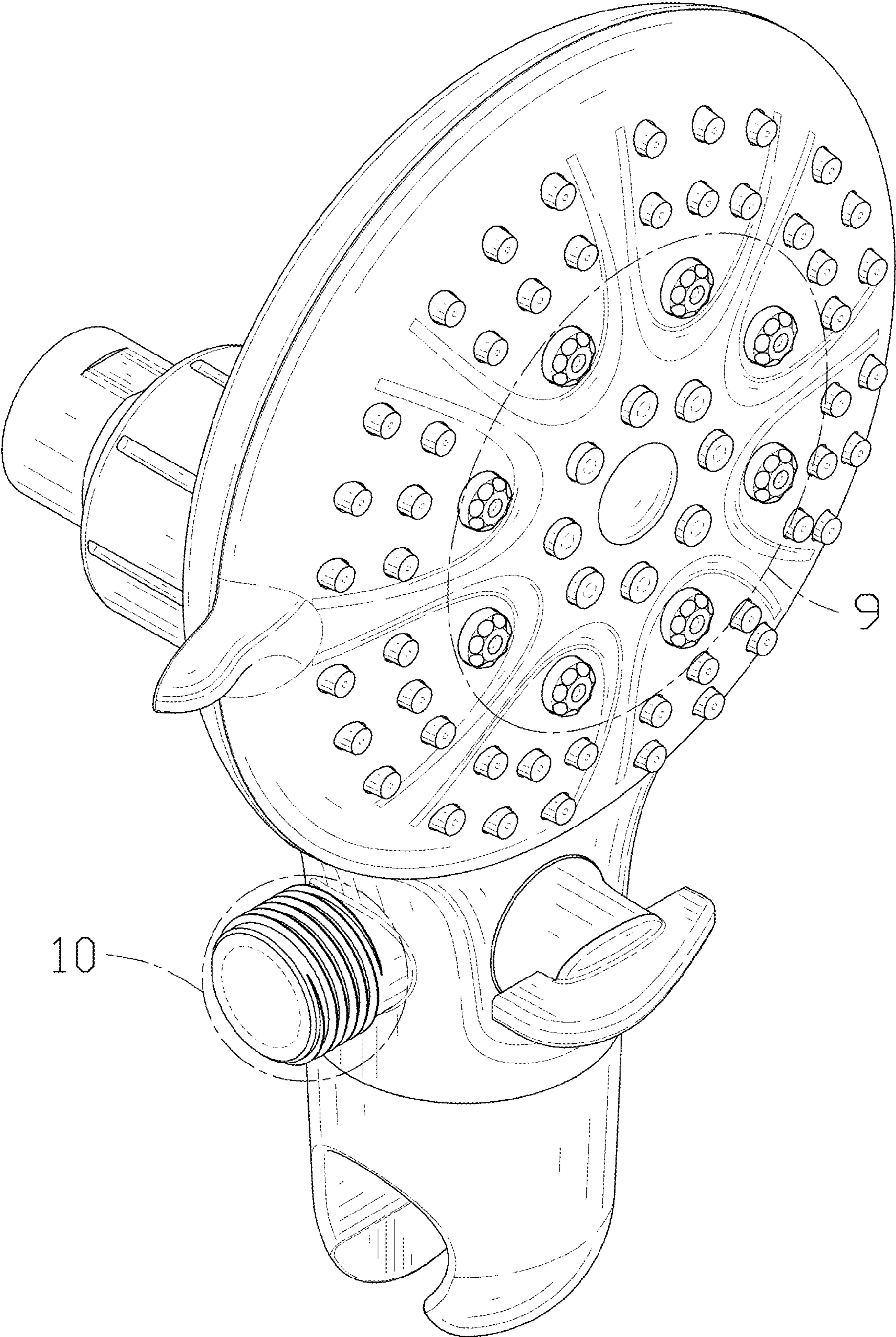


FIG. 1

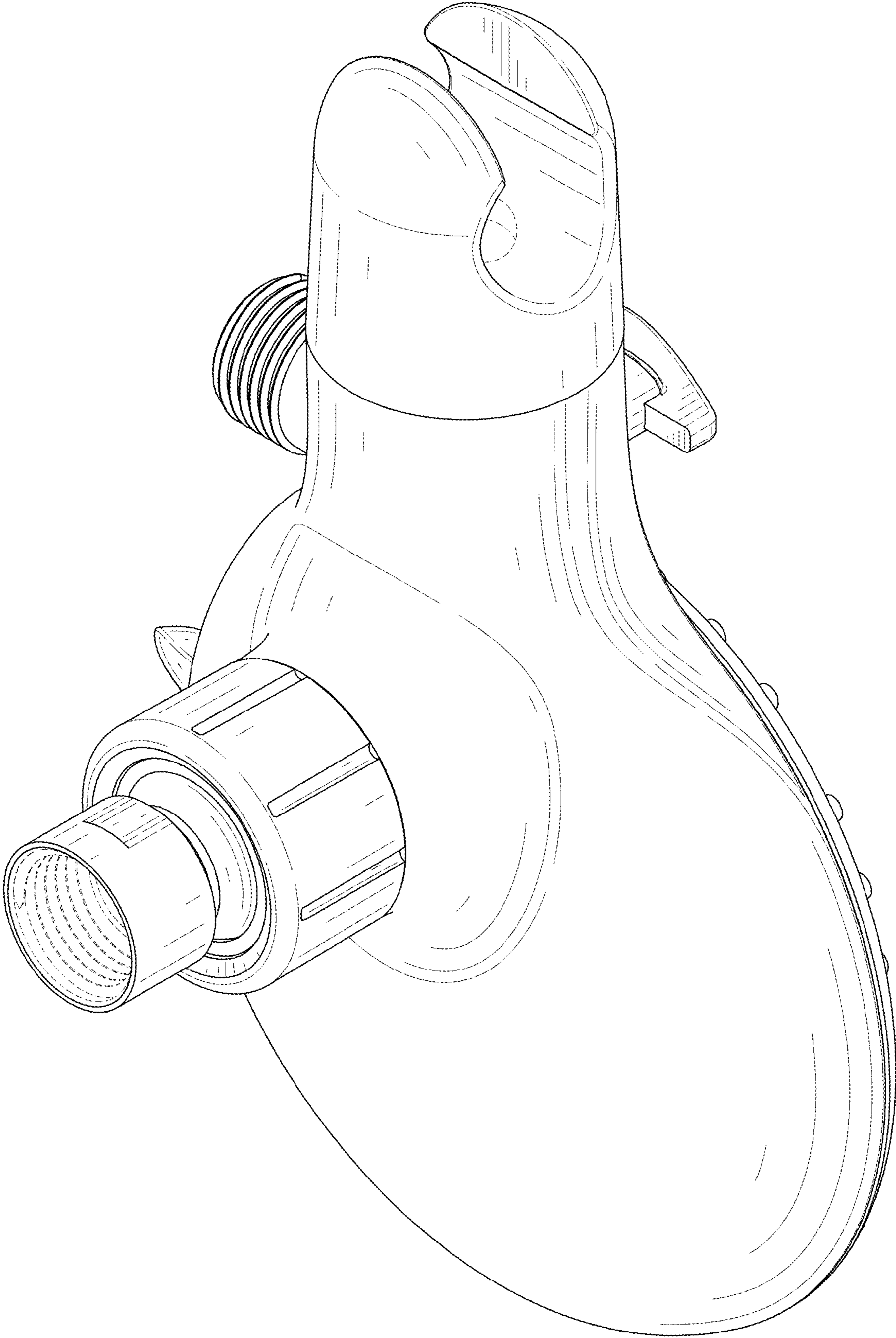


FIG. 2

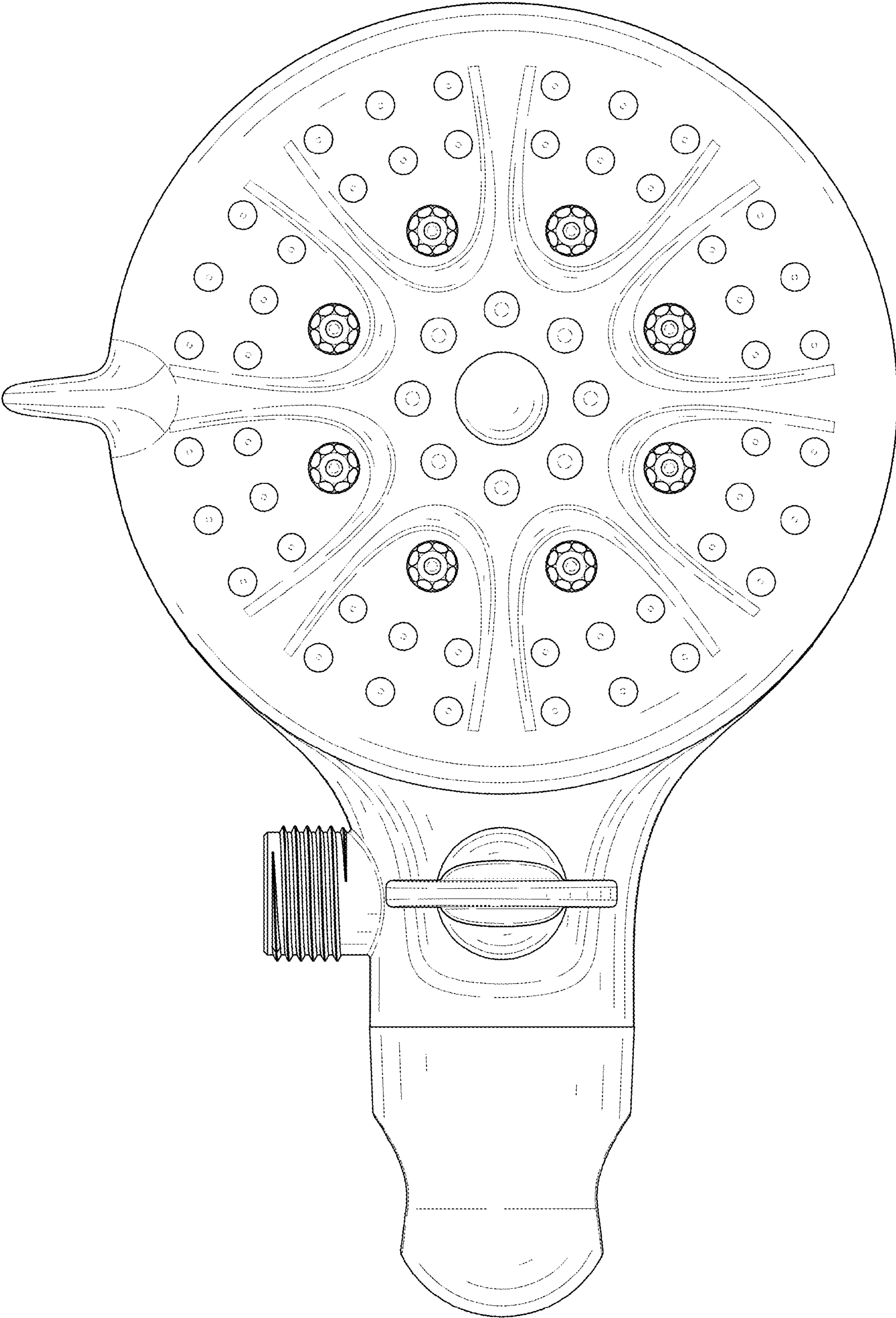


FIG. 3

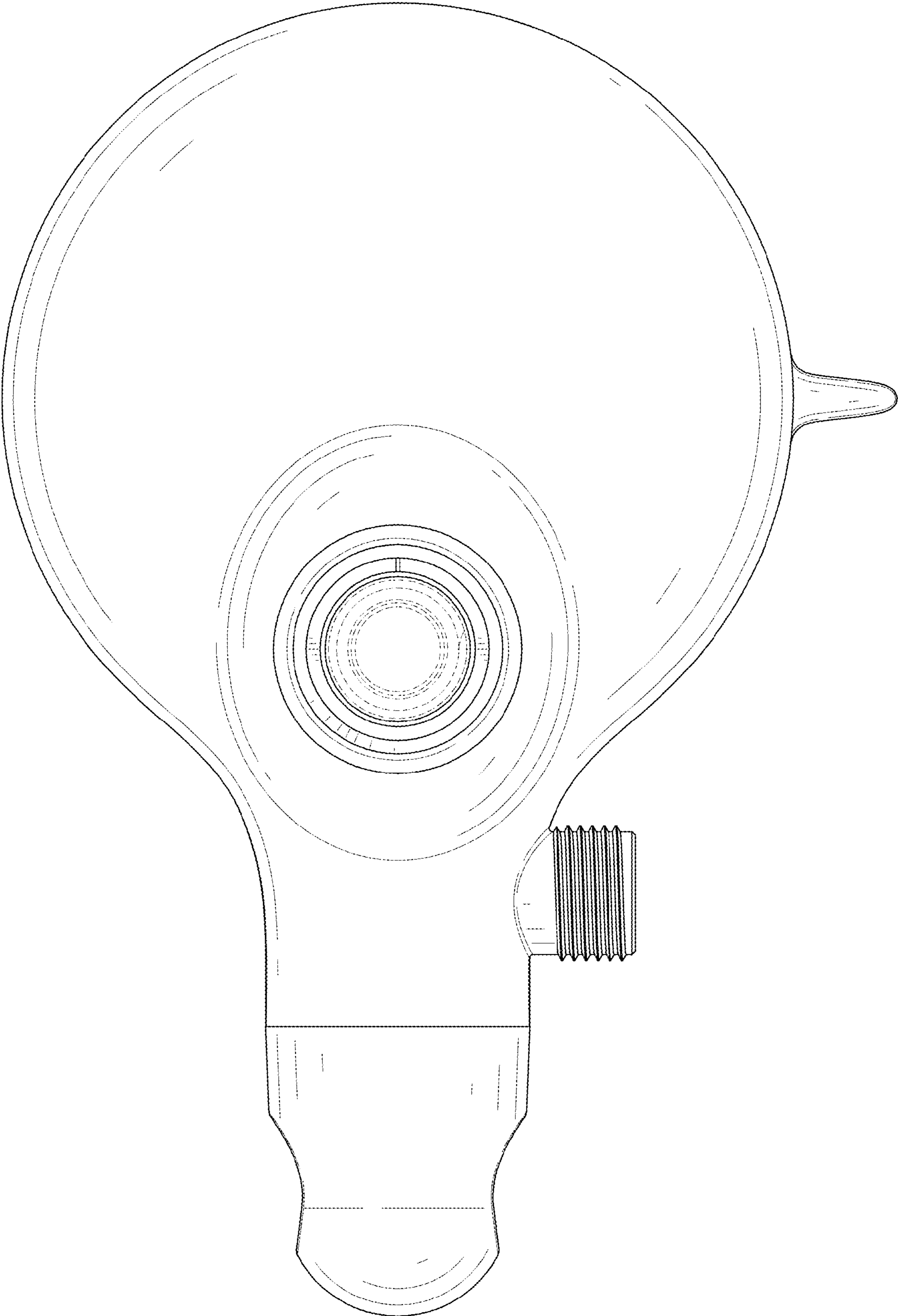


FIG. 4

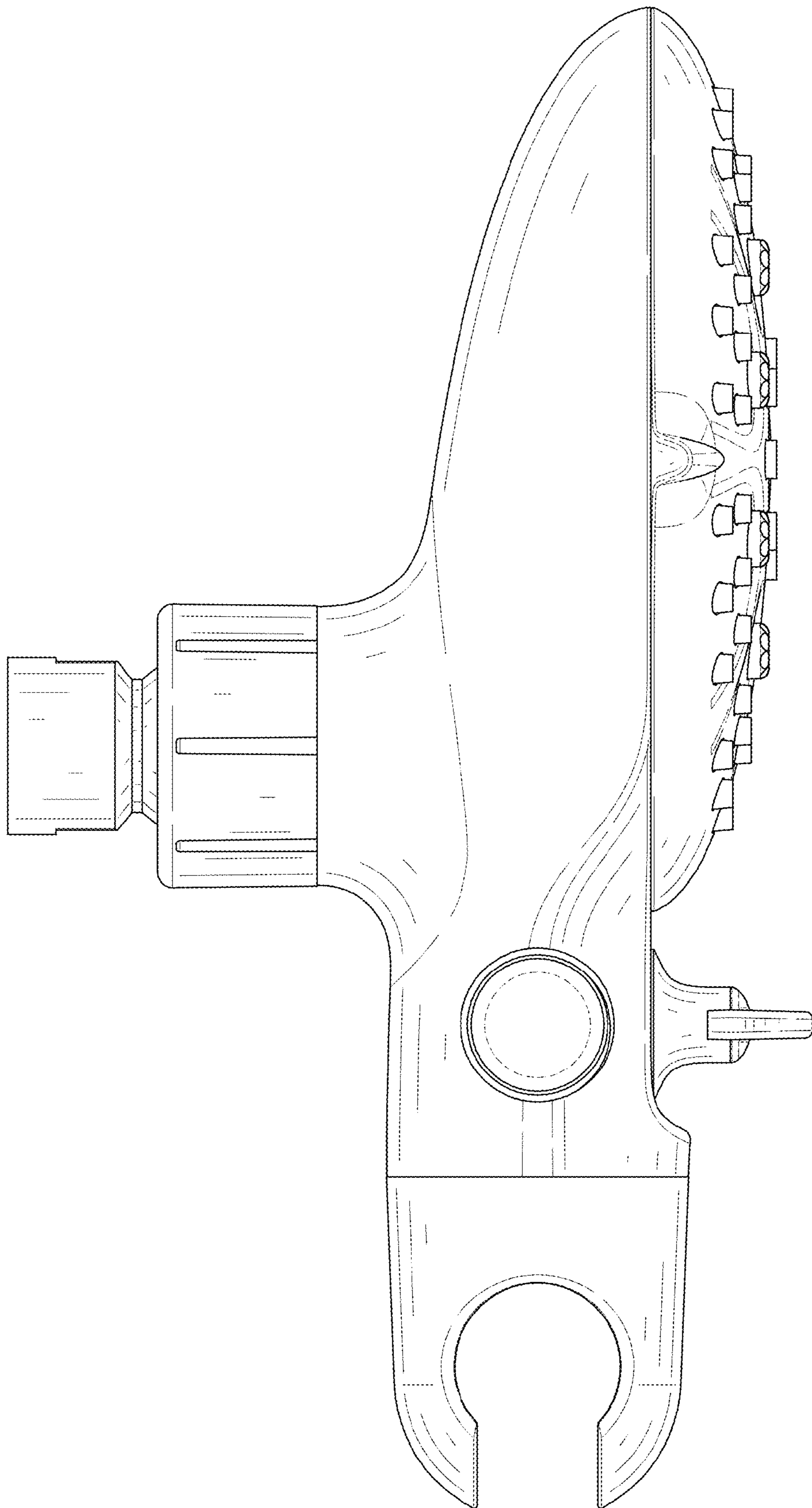


FIG. 5

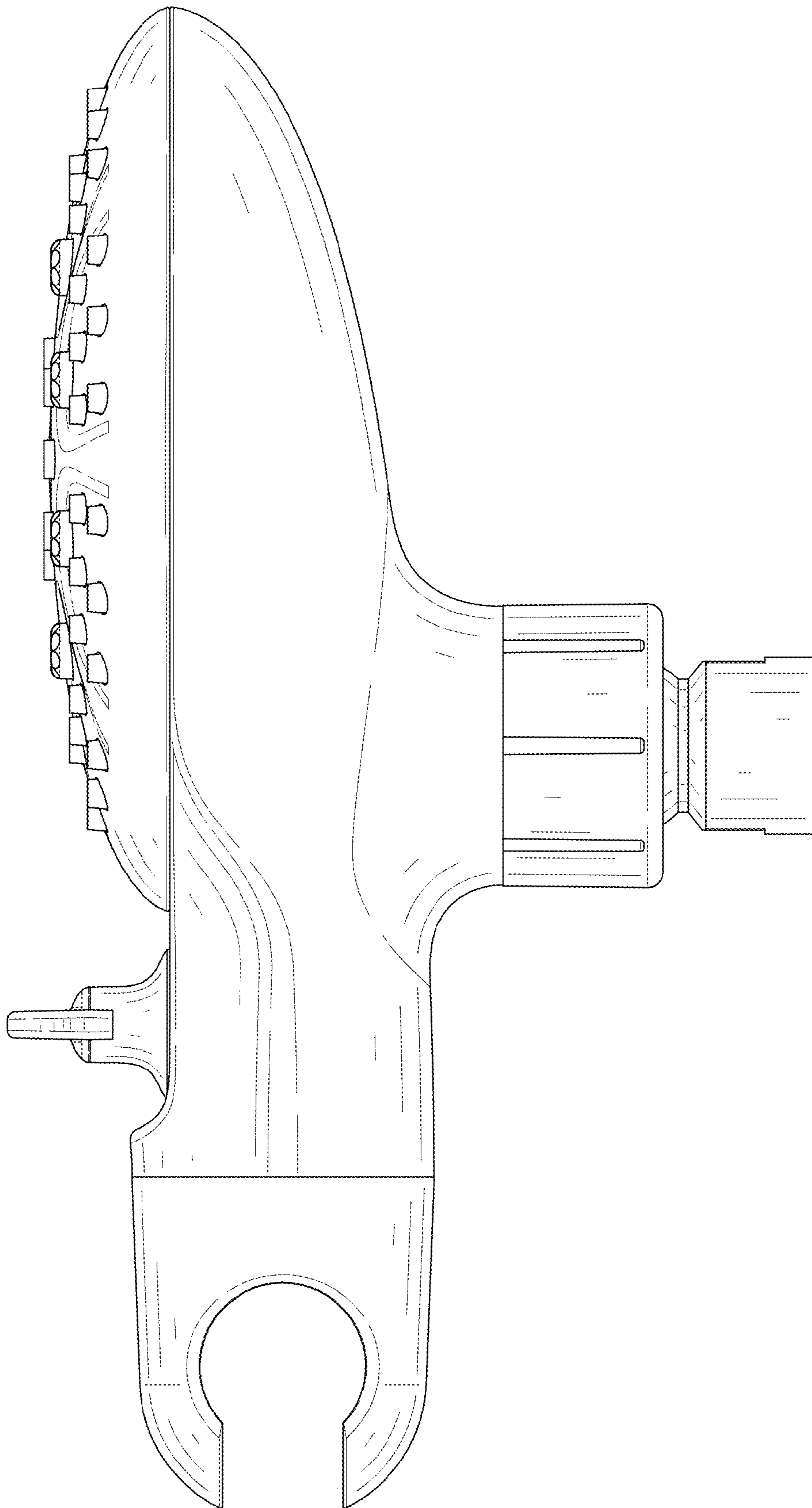


FIG. 6

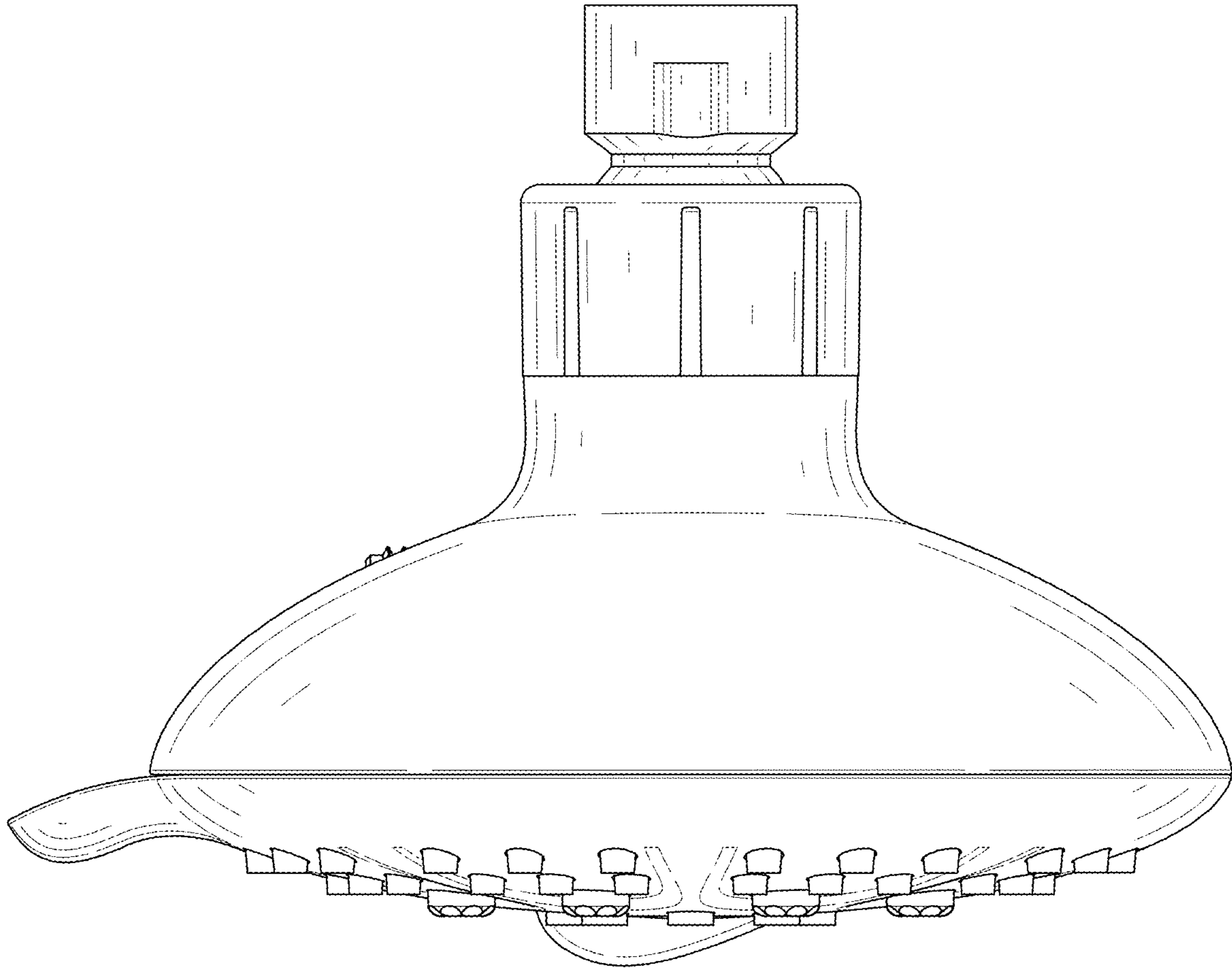


FIG. 7

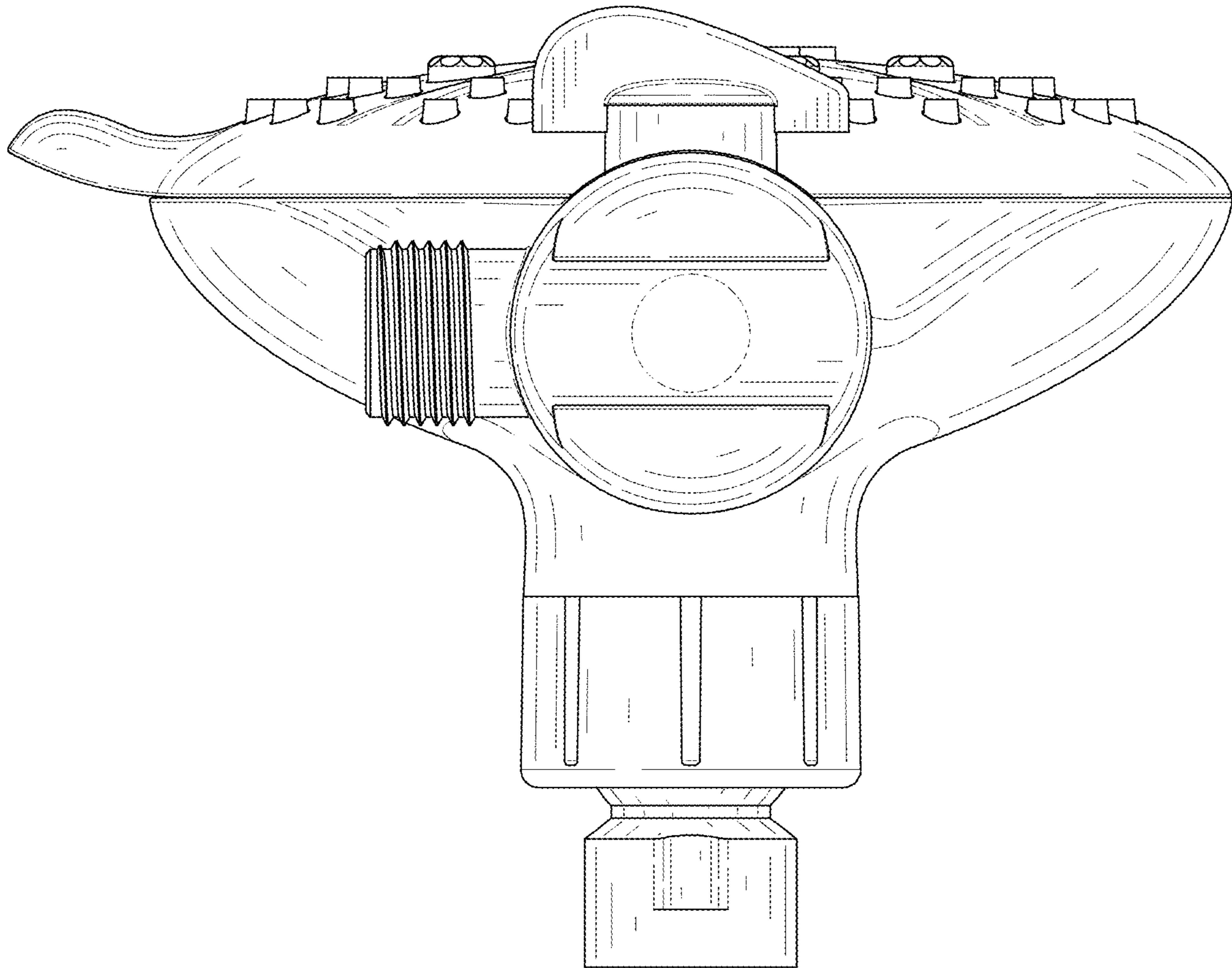


FIG. 8

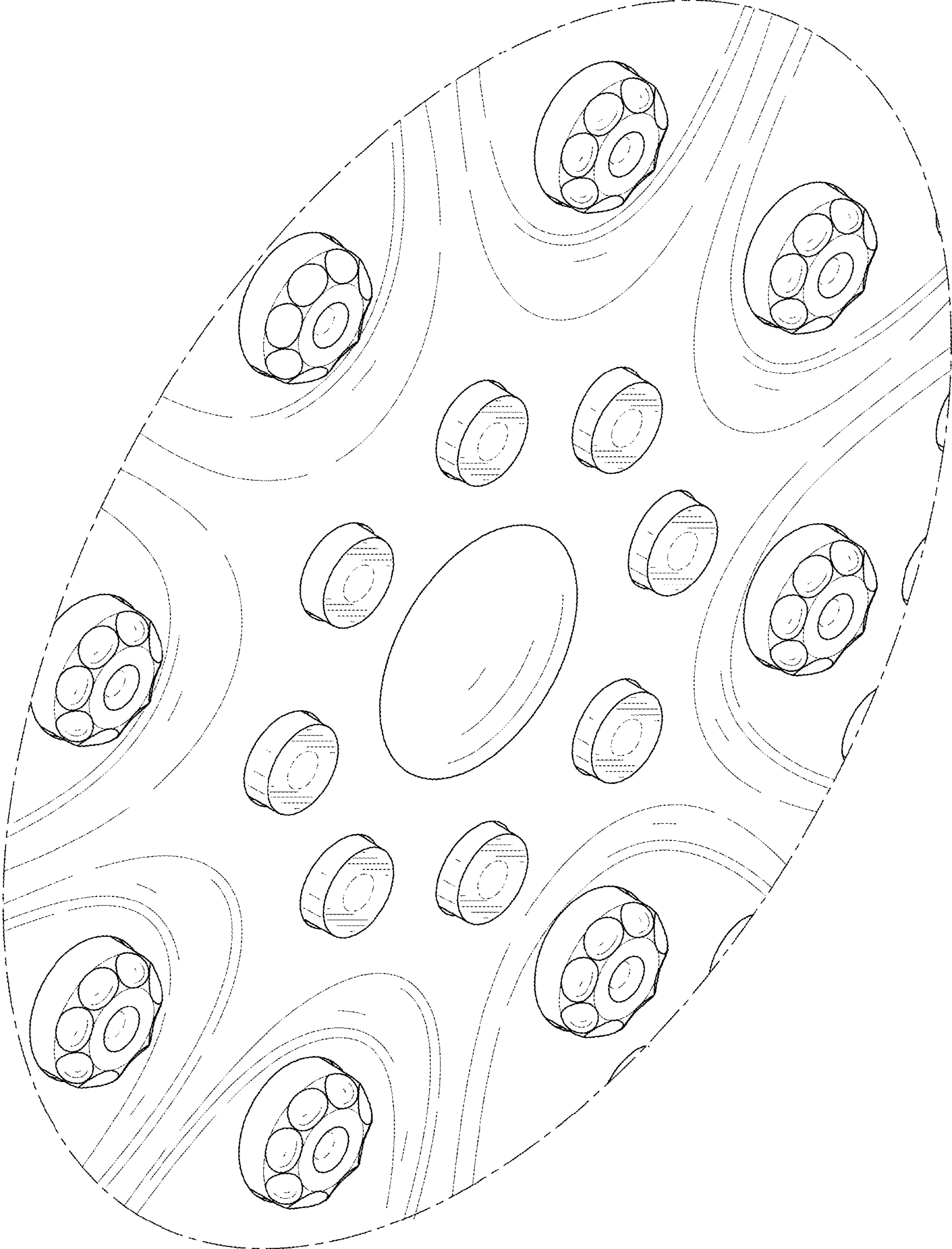


FIG. 9

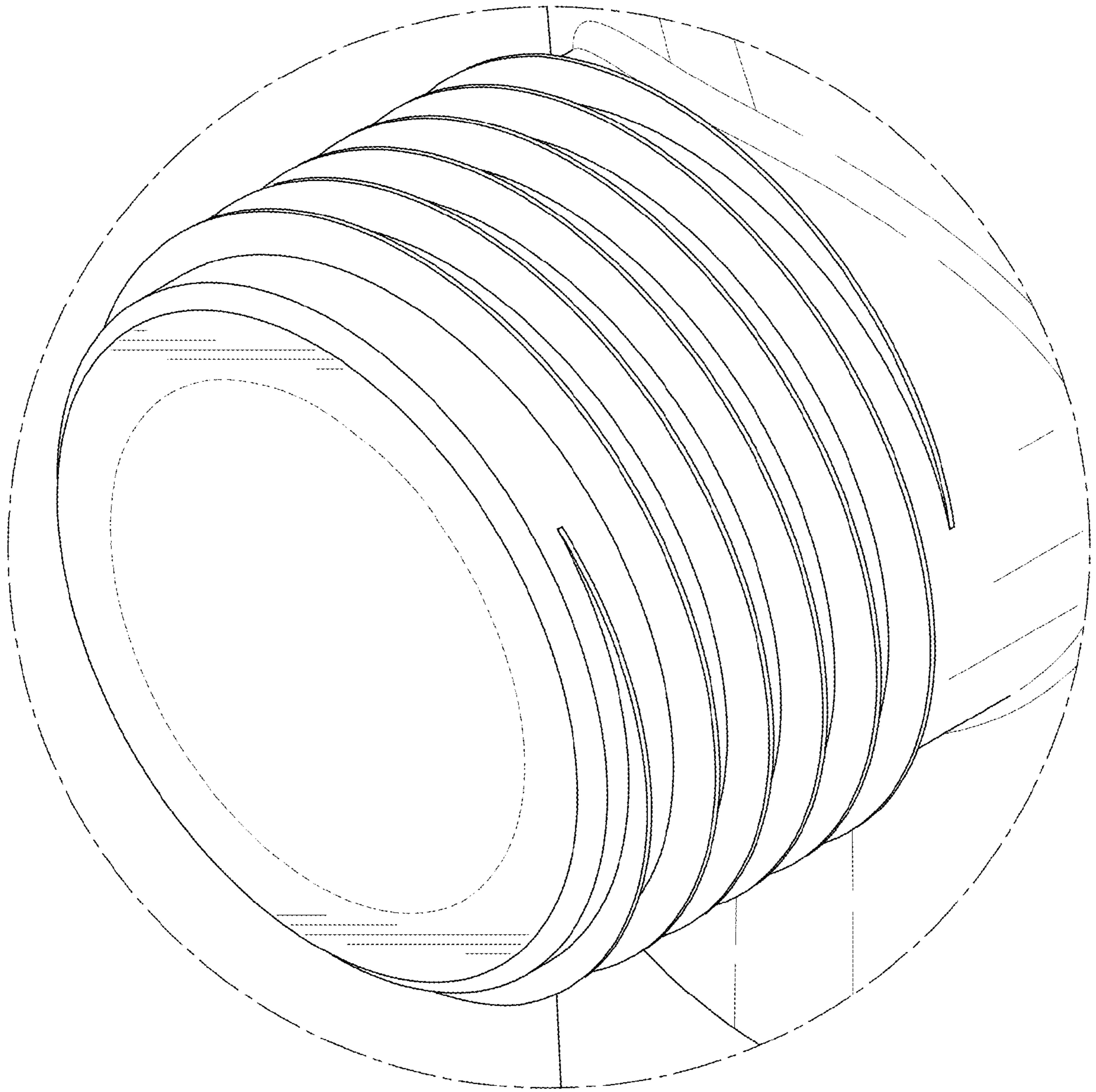


FIG. 10