



US00D898866S

(12) **United States Design Patent** (10) **Patent No.:** **US D898,866 S**
Lauer (45) **Date of Patent:** **** Oct. 13, 2020**

(54) **OSCILLATING SPRINKLER**
(71) Applicant: **Ningbo Yilin Aguatech Co., Ltd.**,
Ningbo (CN)
(72) Inventor: **Robert William Lauer**, Charlotte, NC
(US)
(73) Assignee: **Ningbo Yilin Aguatech Co., Ltd.**,
Zhejiang (CN)

(**) Term: **15 Years**
(21) Appl. No.: **29/666,571**

(22) Filed: **Oct. 15, 2018**
(51) **LOC (12) Cl.** **23-01**
(52) **U.S. Cl.**
USPC **D23/214**
(58) **Field of Classification Search**
USPC D23/213, 214, 216, 215, 223, 224, 226,
D23/229, 230
CPC A61H 9/0021; A61H 33/00; B05B 1/00;
B05B 1/14; B05B 1/185; B05B 1/08;
B05B 1/02; B05B 1/26; B05B 12/002;
B05B 1/18; B05B 9/01; F16L 37/46;
F16L 37/00; F17C 13/12; F17C
2205/0376
See application file for complete search history.

(56) **References Cited**

U.S. PATENT DOCUMENTS

D282,769 S * 2/1986 Lemkin D23/216
D303,283 S * 9/1989 Best D23/216
D315,395 S * 3/1991 Clivio D23/216
D351,214 S * 10/1994 Clivio D23/214
D371,596 S * 7/1996 Simonetti D23/214
D383,193 S * 9/1997 Heren D23/216
D387,127 S * 12/1997 Guo D23/216
D415,555 S * 10/1999 Kuo D23/214
D421,639 S * 3/2000 Clivio D23/214
D440,629 S * 4/2001 Guo D23/216
D458,983 S * 6/2002 Chen D23/216
D459,436 S * 6/2002 Chao D23/216

D466,184 S * 11/2002 Kuo D23/216
D466,974 S * 12/2002 Kuo D23/216
D466,975 S * 12/2002 Kuo D23/216
D469,849 S * 2/2003 Nien D23/216
D470,218 S * 2/2003 Alkalay D23/216
D479,574 S * 9/2003 Nien D23/216
D500,122 S * 12/2004 Schapper D23/216

(Continued)

OTHER PUBLICATIONS

https://www.amazon.com/Sun-Joe-SJI-TLS18-Oscillation-Sprinkler/dp/B079C7VWT2/ref=sr_1_2?crd=13IS8V8KNUT2W&dchild=1&keywords=oscillating+sprinkler&qid=1590681205&srefix=oscilla%2Caps%2C578&sr=8-2 (Year: 2018).*

Primary Examiner — Manpreet S Matharu
Assistant Examiner — Keith J Wilson
(74) *Attorney, Agent, or Firm* — HEA Law, PLLC

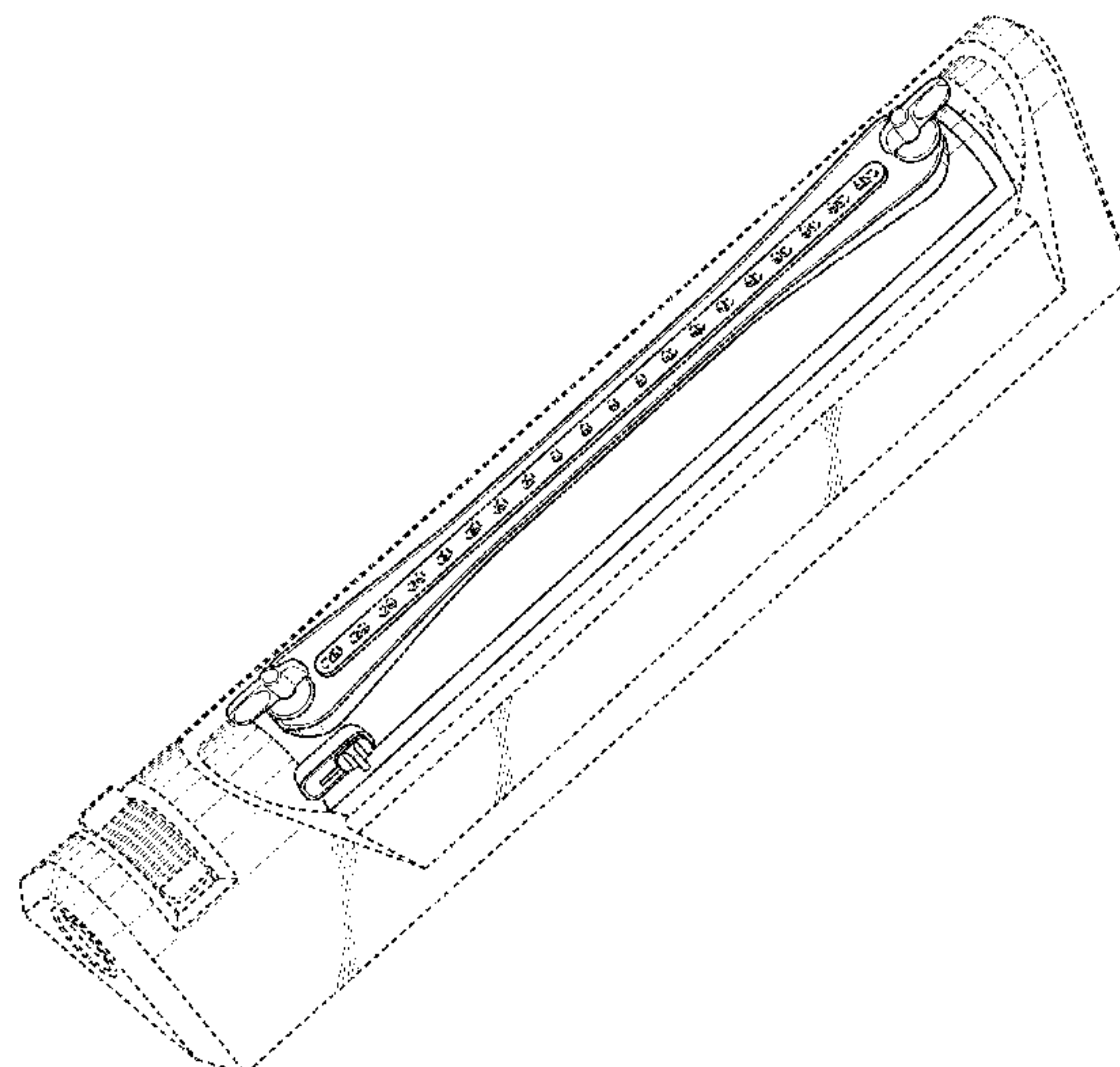
(57) **CLAIM**

The ornamental design for an oscillating sprinkler, as shown and described.

DESCRIPTION

FIG. 1 is a perspective view of an oscillating sprinkler, according to my new design;
FIG. 2 is a top view of the oscillating sprinkler shown in FIG. 1;
FIG. 3 is a bottom view of the oscillating sprinkler shown in FIG. 1;
FIG. 4 is a left side view of the oscillating sprinkler shown in FIG. 1;
FIG. 5 is a right side view of the oscillating sprinkler shown in FIG. 1;
FIG. 6 is a front side view of the oscillating sprinkler shown in FIG. 1; and,
FIG. 7 is a rear side view of the oscillating sprinkler shown in FIG. 1.
The broken lines shown represents portions of a oscillating sprinkler and form no part of the claimed design.

1 Claim, 5 Drawing Sheets



(56)

References Cited

U.S. PATENT DOCUMENTS

D508,281	S *	8/2005	McClean	D23/207
7,389,950	B2	6/2008	Lo	
7,607,590	B2	10/2009	Nies	
D613,371	S *	4/2010	Nies	D23/216
D618,307	S *	6/2010	Nies	D23/216
D618,308	S *	6/2010	Nies	D23/216
7,909,266	B2	3/2011	Lo	
8,534,573	B2	9/2013	Wang et al.	
D754,284	S *	4/2016	Stowers	D23/216
D762,817	S *	8/2016	Salsberg	D23/216
D769,411	S *	10/2016	Stowers	D23/216
9,764,338	B2	9/2017	Wang	
D806,210	S *	12/2017	Rodriguez	D23/216
D807,475	S *	1/2018	Rodriguez	D23/216
2009/0200391	A1	8/2009	Yehuda et al.	
2018/0178238	A1	6/2018	Farra et al.	

* cited by examiner

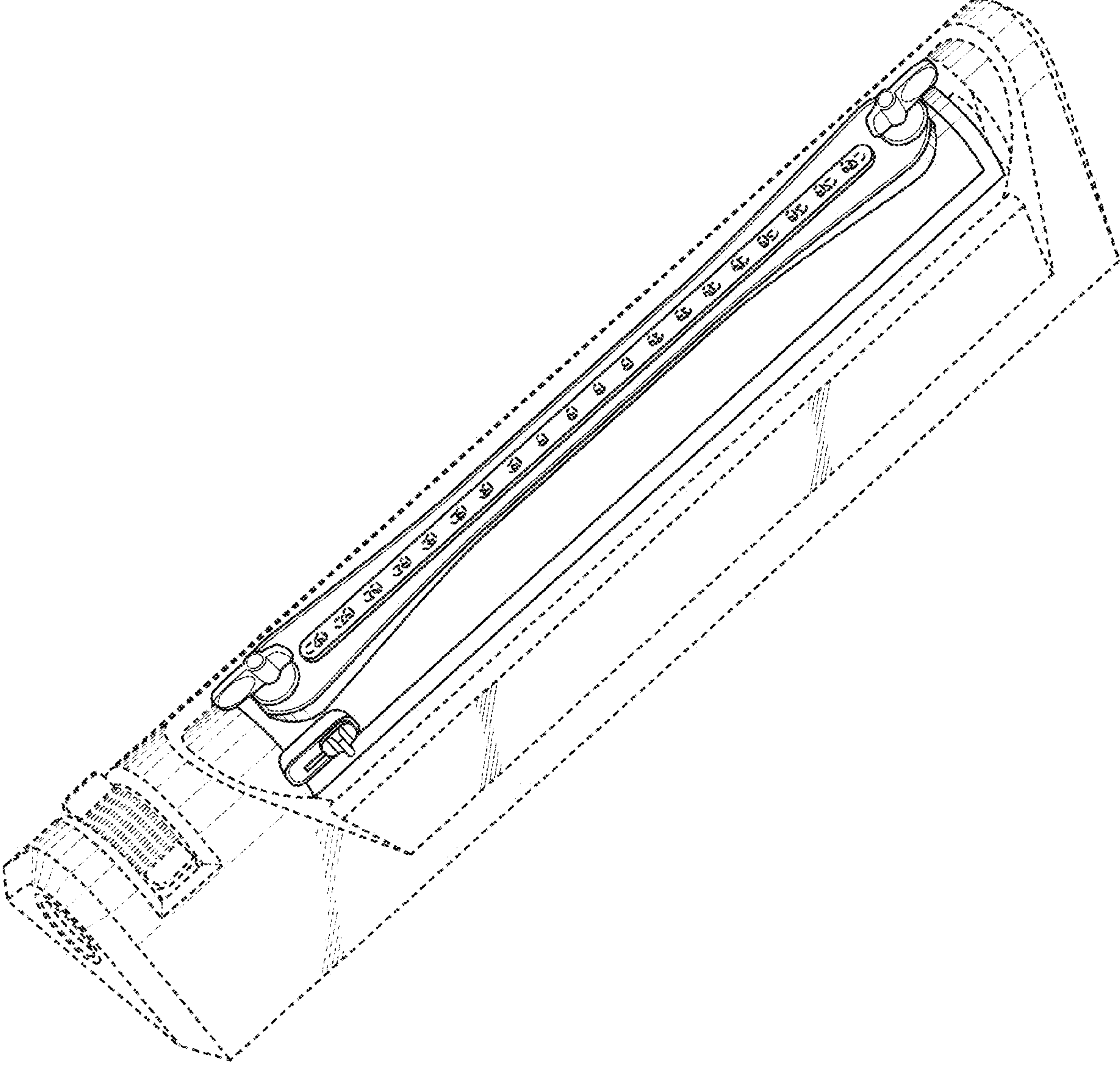


Fig. 1

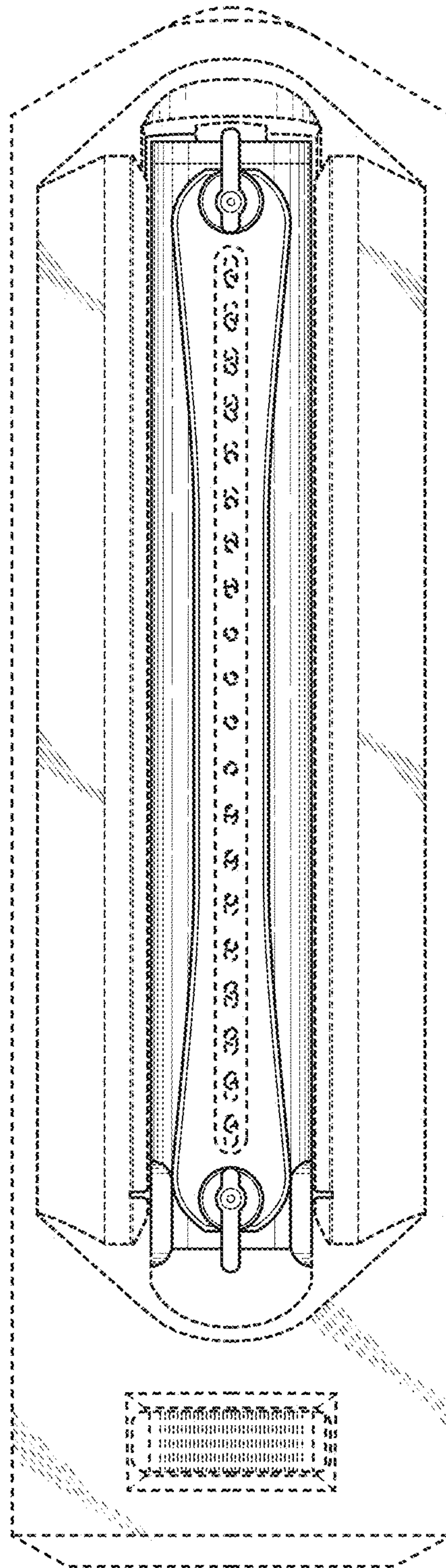


Fig. 2

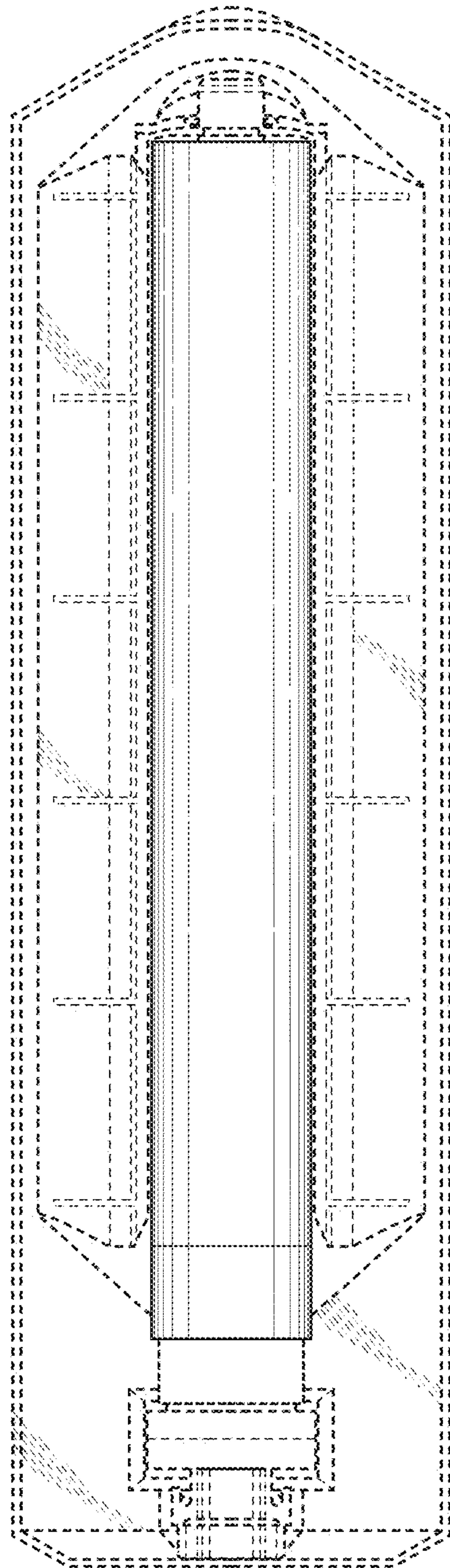


Fig. 3

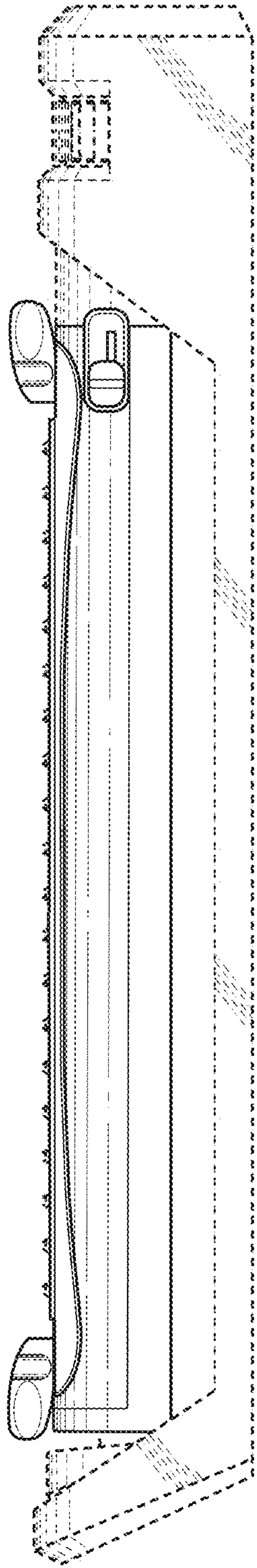


Fig. 4

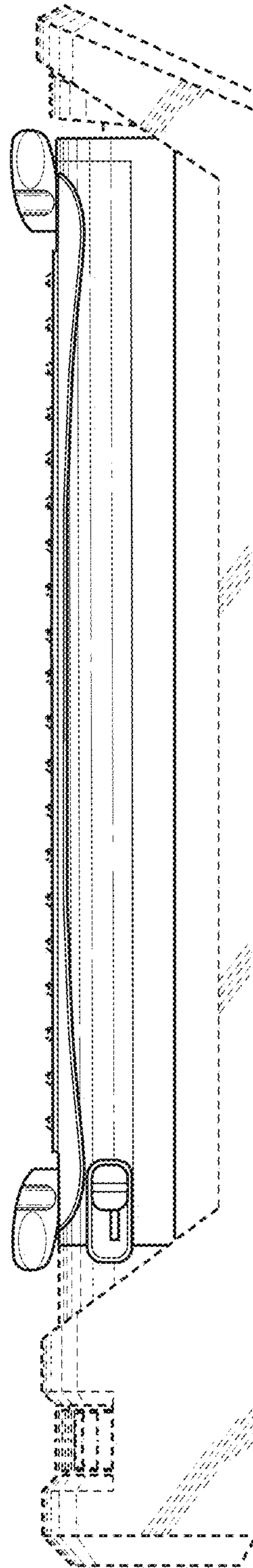


Fig. 5

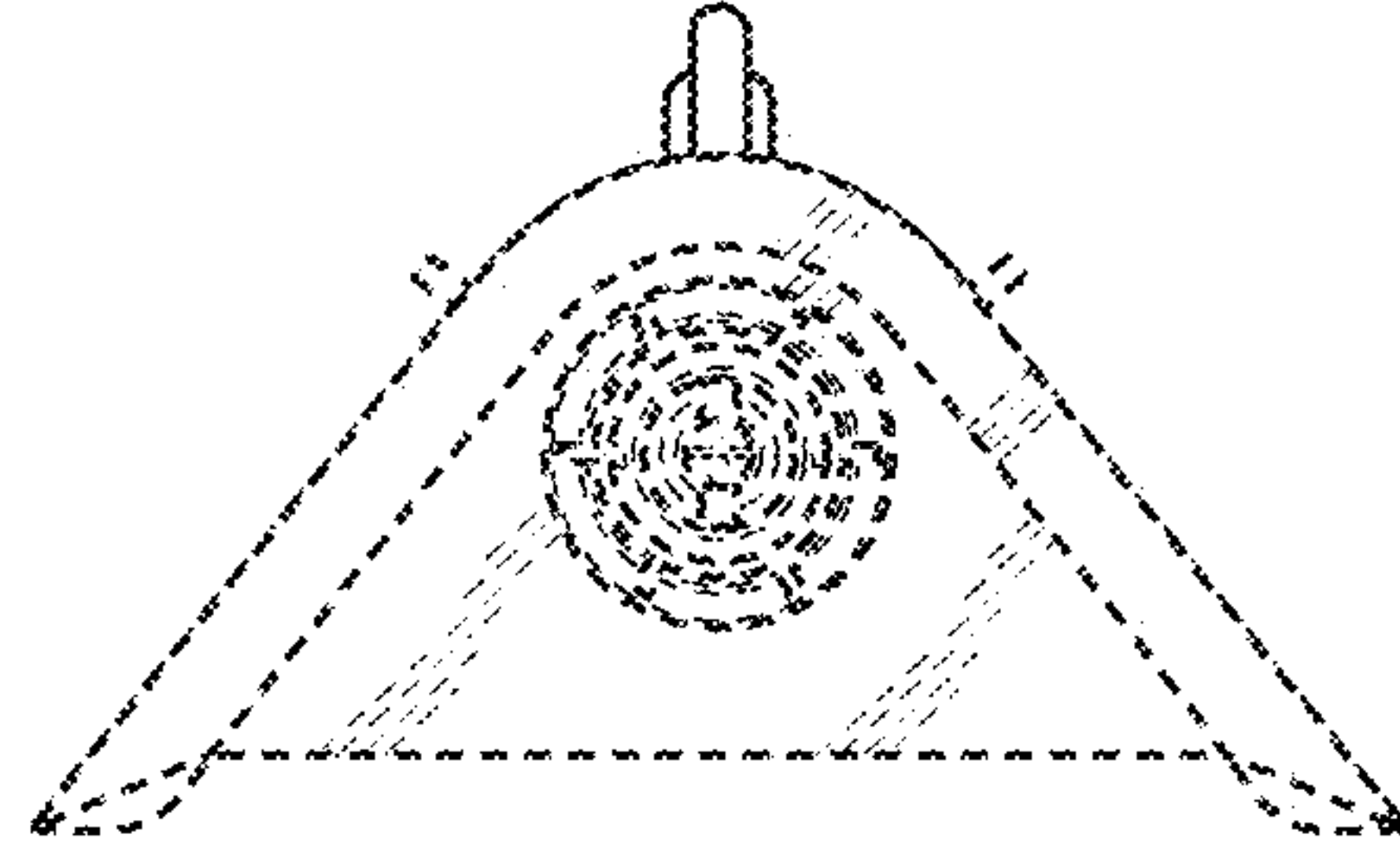


Fig. 6

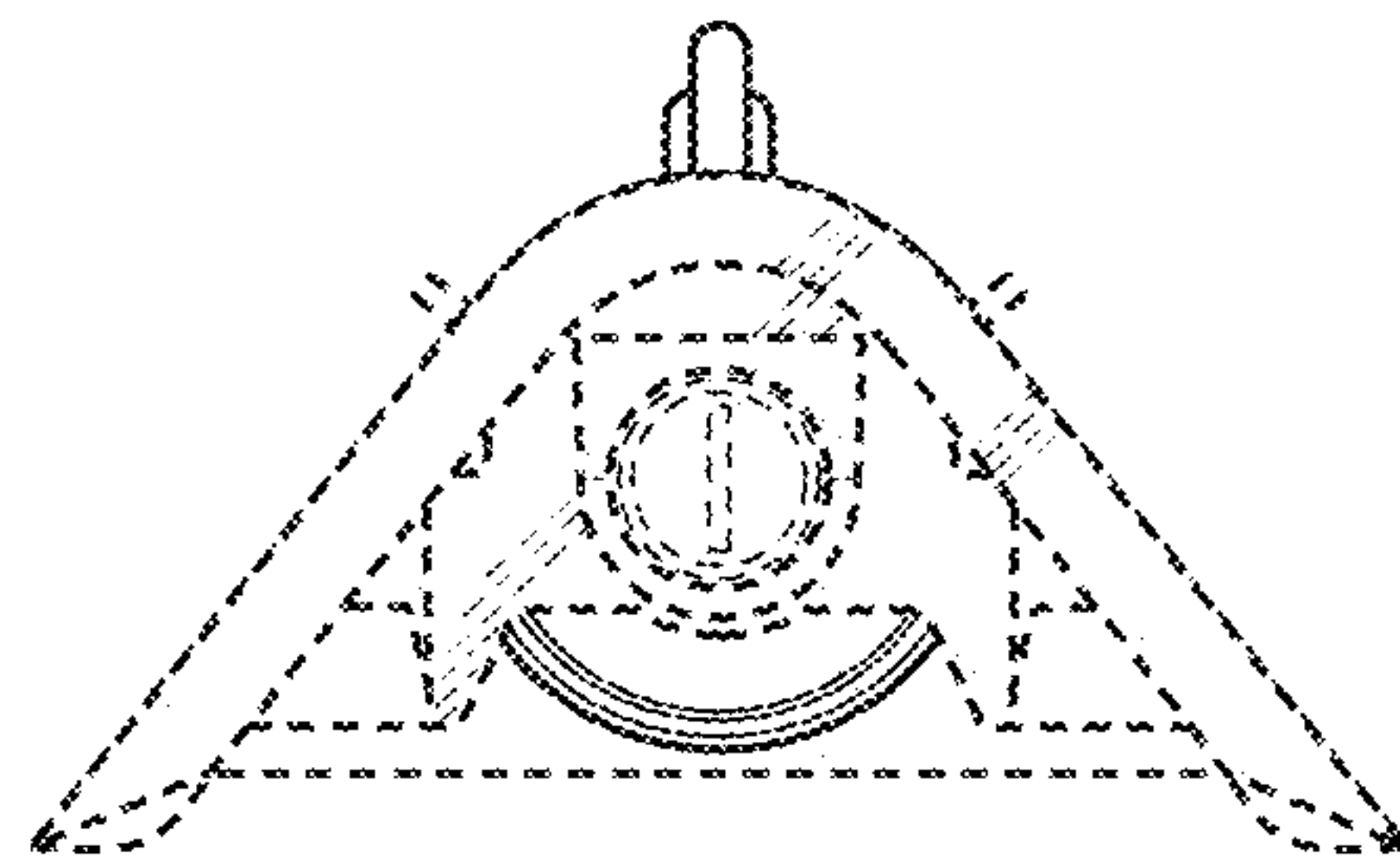


Fig. 7