



US00D898865S

(12) **United States Design Patent**
Guinea

(10) **Patent No.:** **US D898,865 S**

(45) **Date of Patent:** **** Oct. 13, 2020**

(54) **FISH HANDLING STAND**

(71) Applicant: **John Guinea**, Cooktown (AU)

(72) Inventor: **John Guinea**, Cooktown (AU)

(**) Term: **15 Years**

(21) Appl. No.: **29/659,392**

(22) Filed: **Aug. 8, 2018**

(30) **Foreign Application Priority Data**

Feb. 9, 2018 (AU) 201810779

(51) **LOC (12) Cl.** **22-05**

(52) **U.S. Cl.**
USPC **D22/134**

(58) **Field of Classification Search**
USPC D22/134, 136–139, 199; 43/4.5, 8;
D7/354, 360, 590, 601–606; D3/905, 315
See application file for complete search history.

(56) **References Cited**

U.S. PATENT DOCUMENTS

- D117,666 S * 11/1939 Gogarn D22/136
- D307,854 S * 5/1990 Doucette D7/605
- D316,589 S * 4/1991 Blackiston D22/136
- D336,508 S 6/1993 Mathews
- D354,377 S * 1/1995 Wenstrand D7/602
- D545,938 S * 7/2007 Walters D22/136
- D569,194 S 5/2008 Chang

- D600,980 S * 9/2009 Regan D7/605
- D633,981 S * 3/2011 Sedor D22/136
- D711,183 S * 8/2014 Bernheim D7/354
- D776,231 S 1/2017 Christensen et al.

OTHER PUBLICATIONS

Amazon.com, SILVERHERO Fishing Board Tools set, 4 Piece Fishing Cutlery Set, Includes Stainless Steel Filleting Knife, Min Knife Sharpener and Stainless Steel Scaler (Year: 2018).*

* cited by examiner

Primary Examiner — Catherine R Oliver-Garcia
(74) *Attorney, Agent, or Firm* — Craft Chu PLLC;
Andrew W. Chu

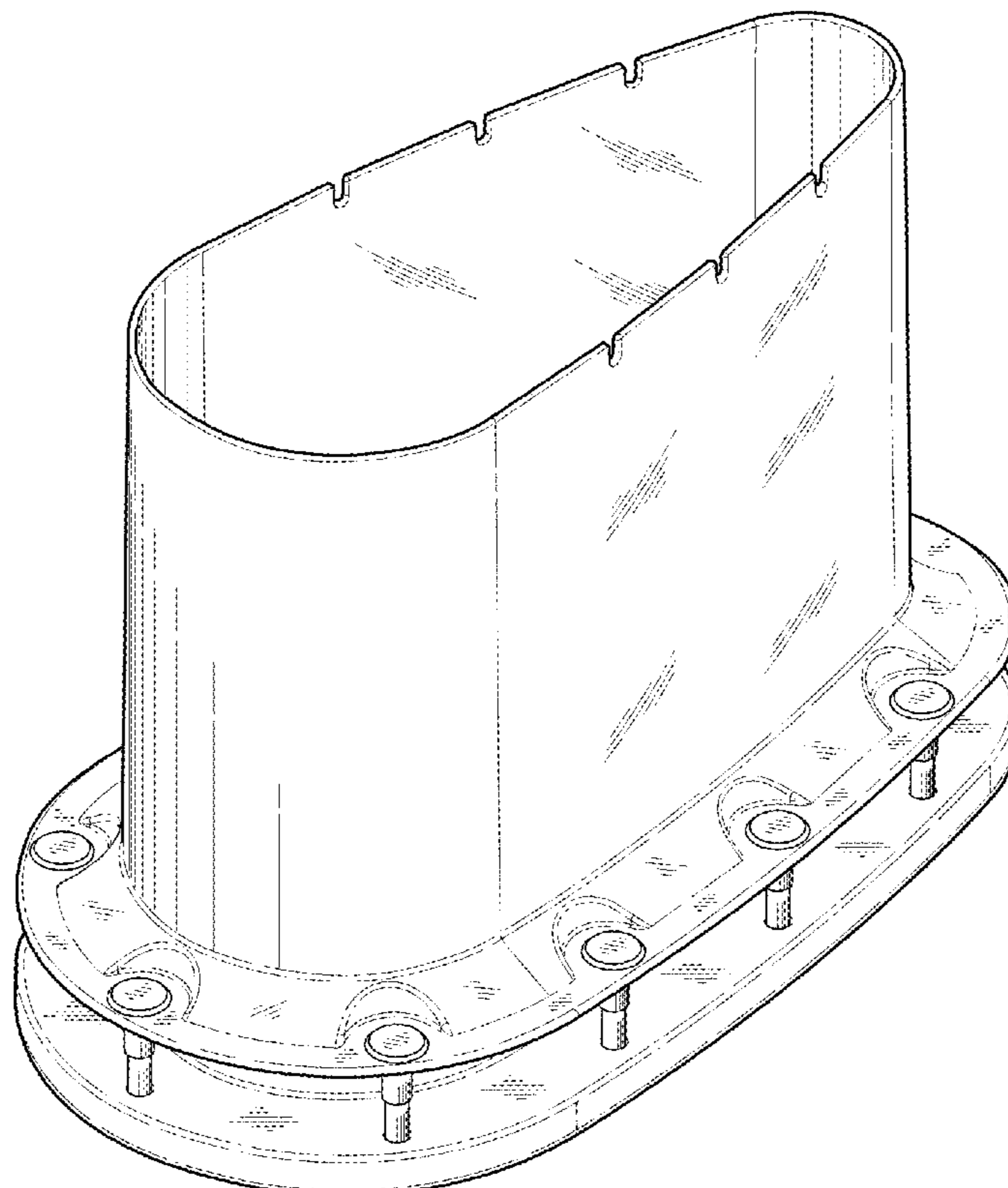
(57) **CLAIM**

The ornamental design for a fish handling stand, as shown and described.

DESCRIPTION

FIG. 1 is an upper perspective view of the fish handling stand showing my design.
FIG. 2 is a bottom perspective view thereof.
FIG. 3 is a bottom plan view thereof;
FIG. 4 is a top plan view thereof;
FIG. 5 is a side elevation view thereof, an opposite side elevation view being a mirror image thereof;
FIG. 6 is an end elevation thereof; and,
FIG. 7 is an opposite end elevation view thereof.

1 Claim, 7 Drawing Sheets



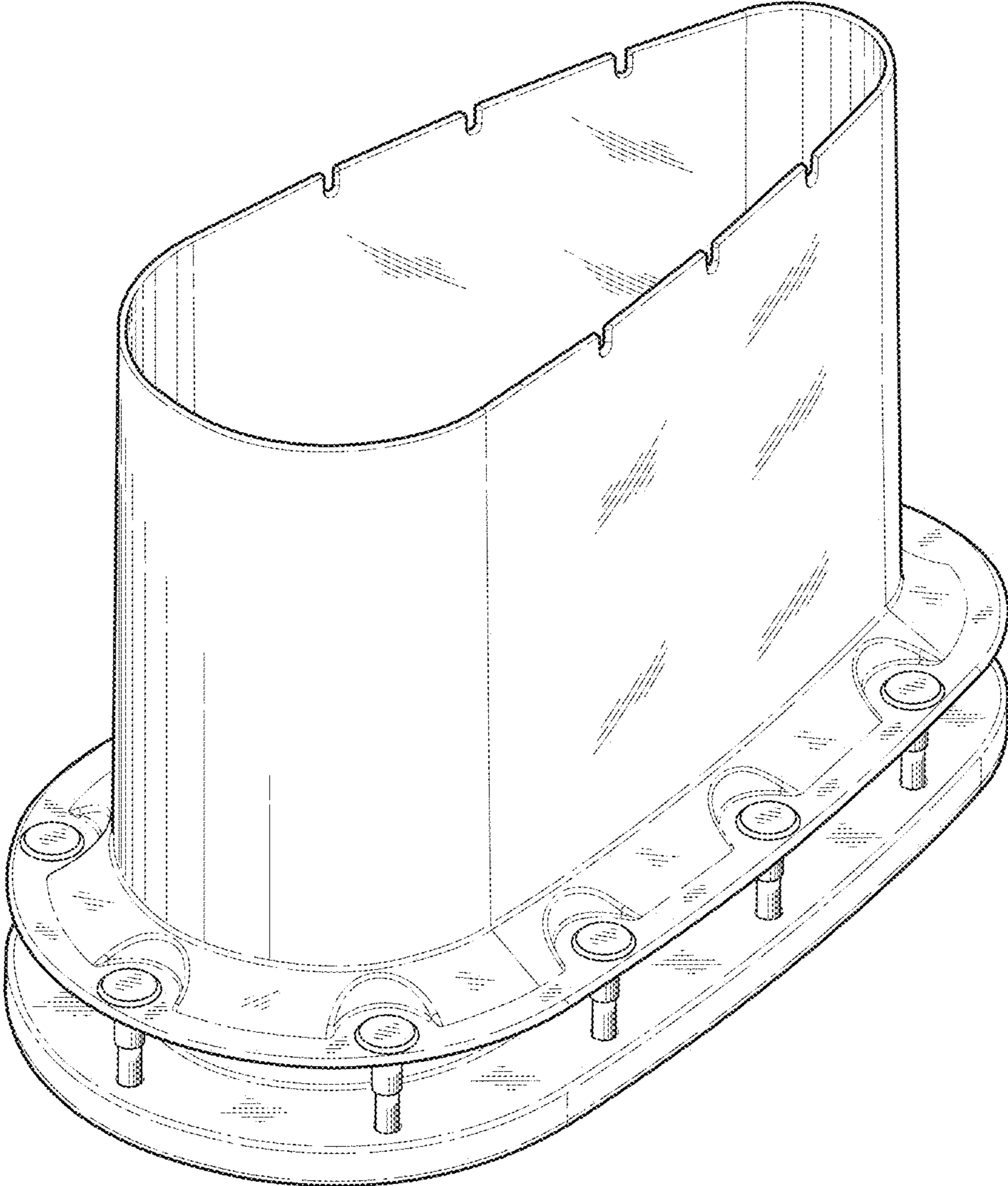


Fig. 1

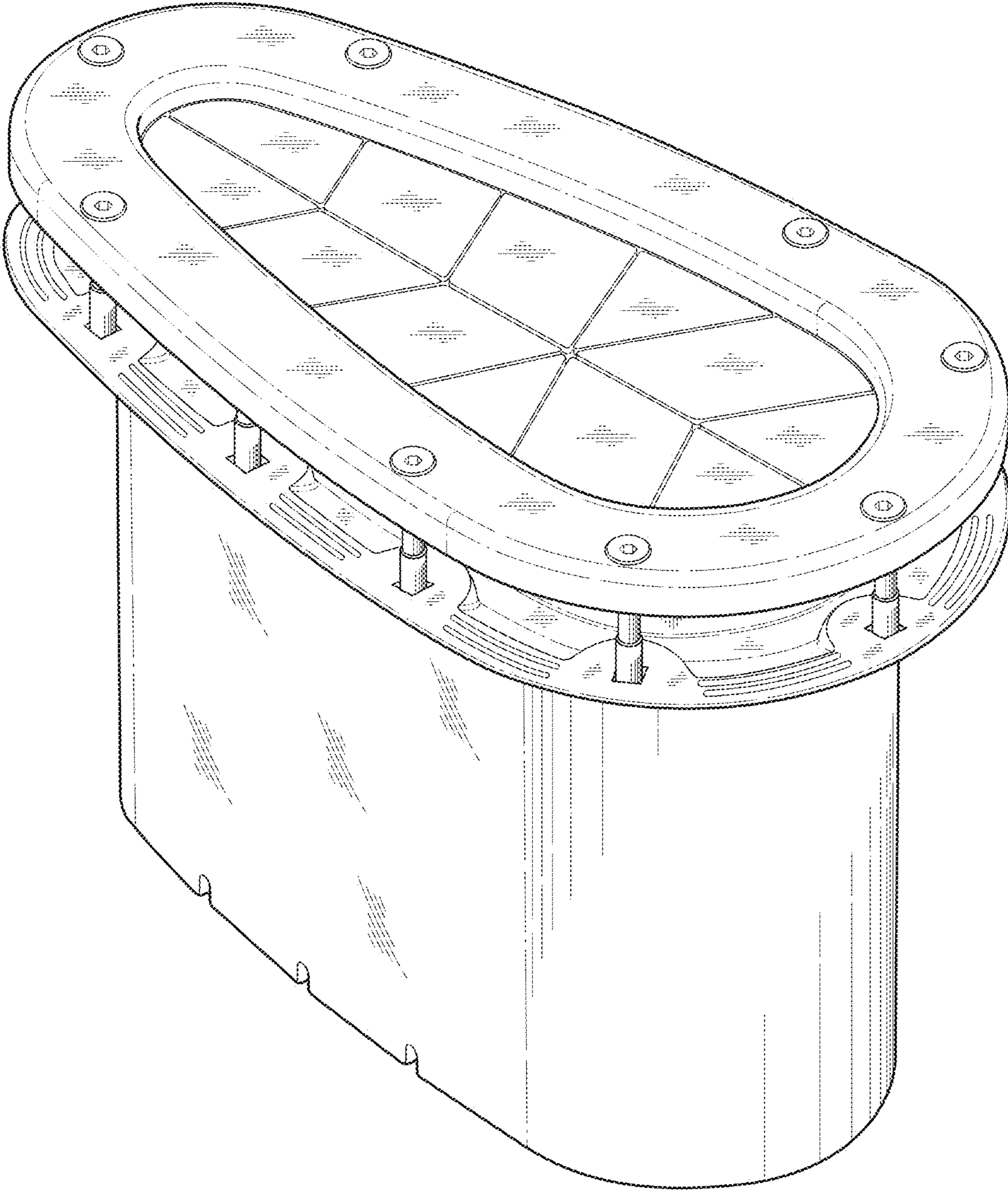


Fig. 2

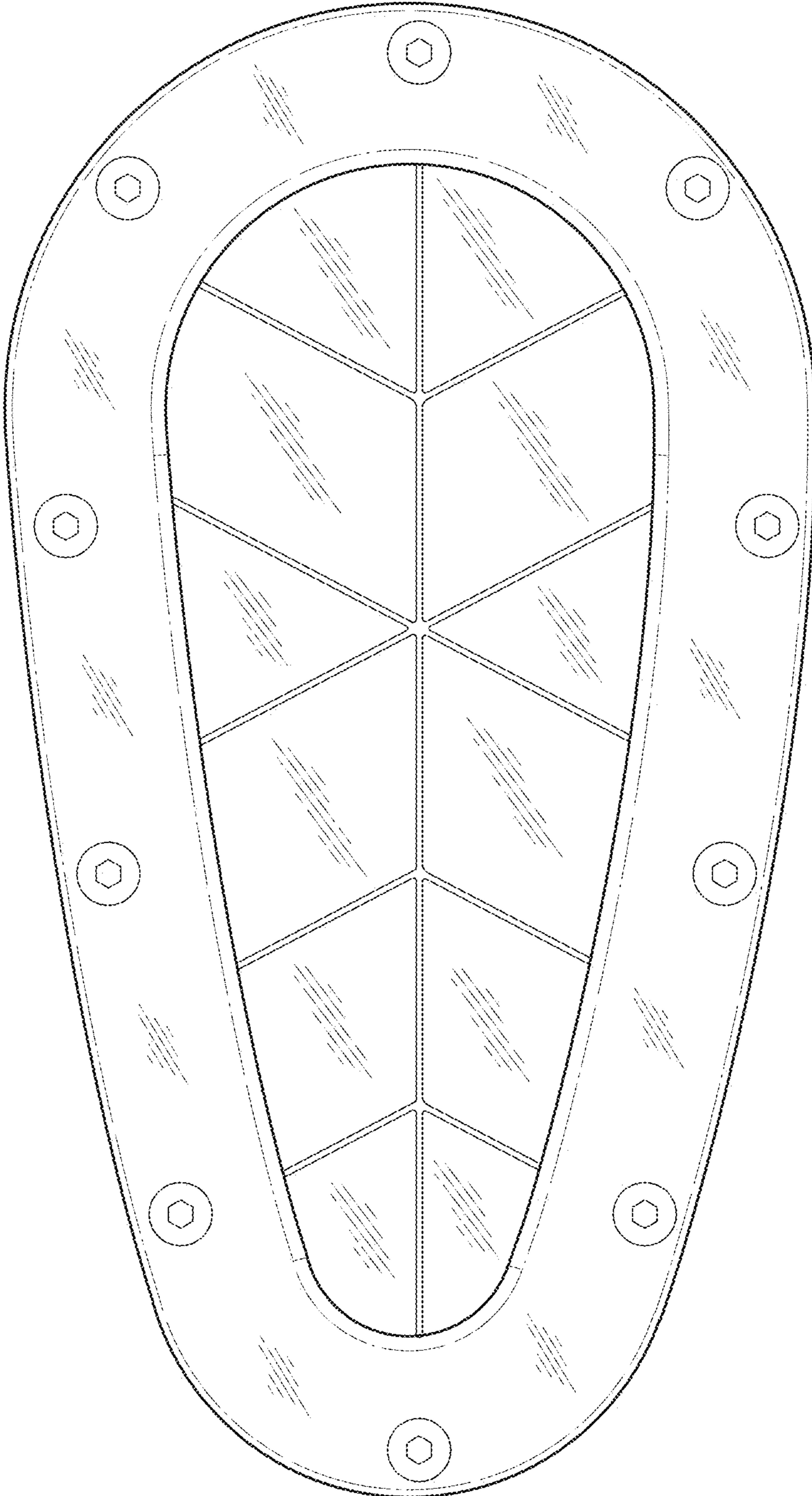


Fig. 3

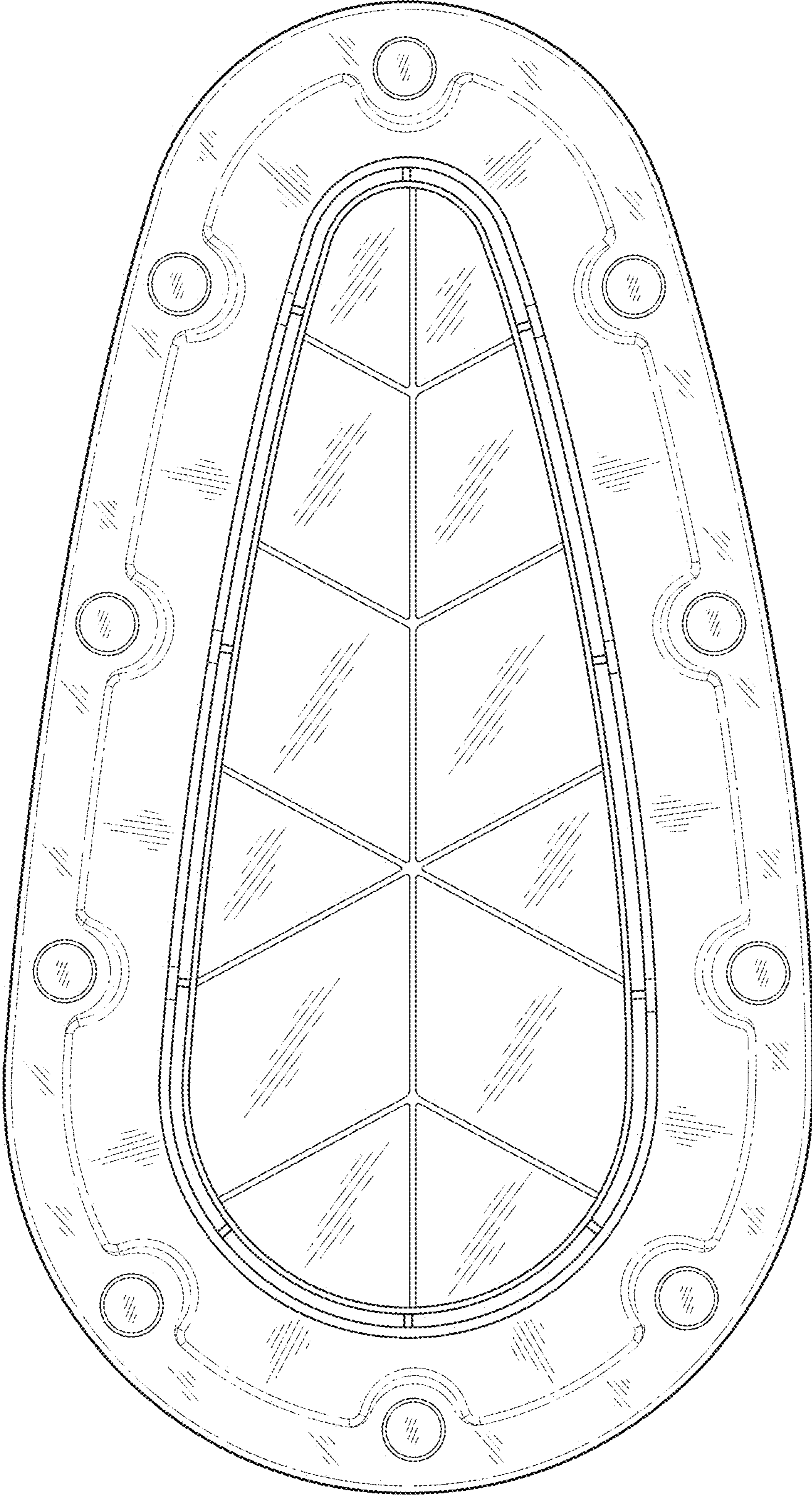


Fig. 4

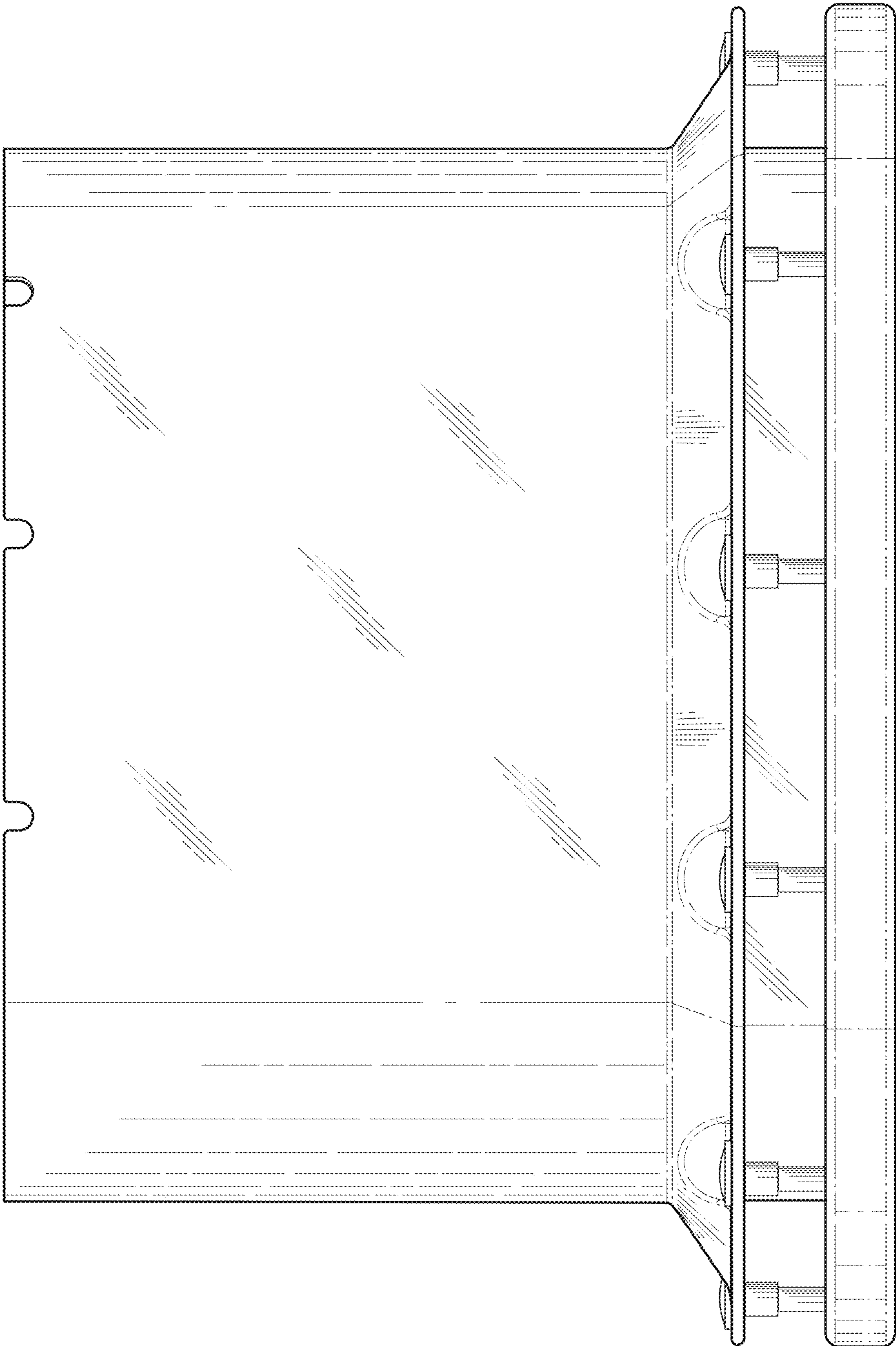


Fig. 5

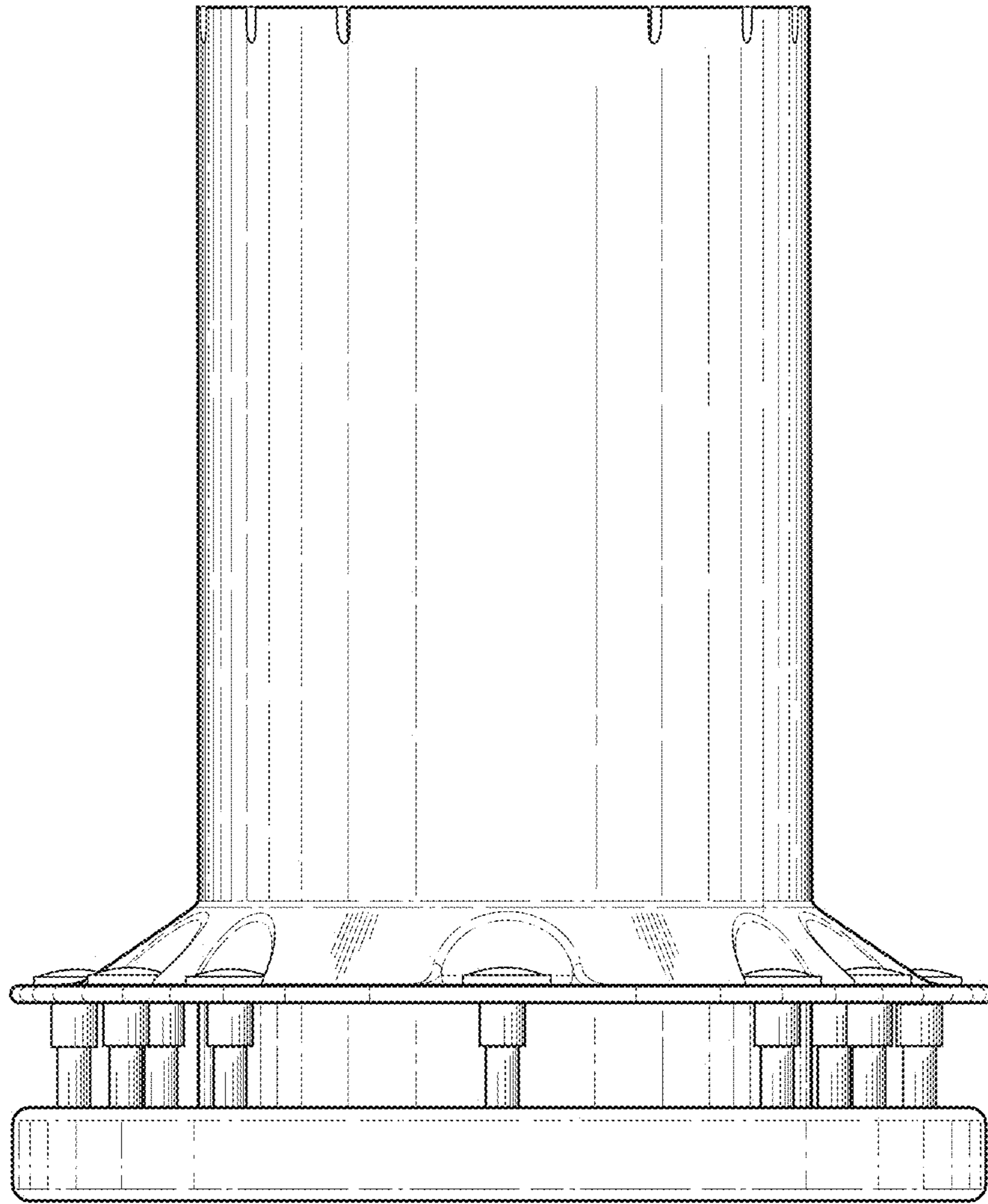


Fig. 6

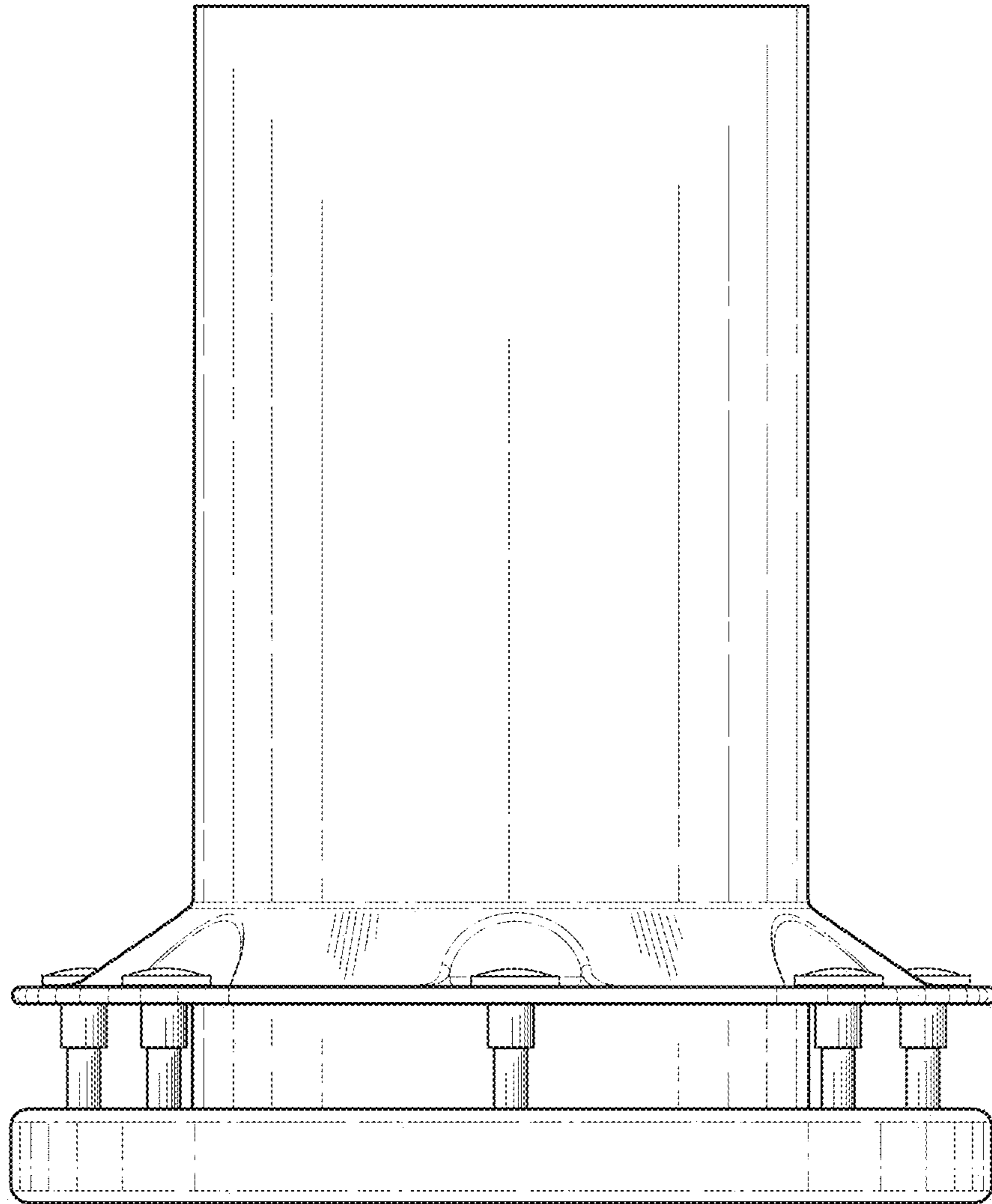


Fig. 7