



US00D898863S

(12) **United States Design Patent** (10) **Patent No.:** **US D898,863 S**  
**Barnes** (45) **Date of Patent:** **\*\* Oct. 13, 2020**

(54) **BUG TRAPPER XL**  
(71) Applicant: **K9King, LLC**, Valrico, FL (US)  
(72) Inventor: **Dan Barnes**, Valrico, FL (US)  
(\*\*) Term: **15 Years**  
(21) Appl. No.: **29/700,002**  
(22) Filed: **Jul. 30, 2019**  
(51) **LOC (12) Cl.** ..... **22-06**  
(52) **U.S. Cl.**  
USPC ..... **D22/122**  
(58) **Field of Classification Search**  
USPC ..... D22/122, 136; 43/107, 109, 112–114,  
43/121–124, 132.1, 139; D7/610, 624.3,  
D7/629  
CPC ..... A01M 1/10; A01M 1/103; A01M 1/026;  
A01M 1/2011; A01M 29/00; A01M  
29/30; A01M 29/34; Y02A 50/374  
See application file for complete search history.

(56) **References Cited**  
U.S. PATENT DOCUMENTS  
D27,312 S \* 7/1897 Collier ..... D22/122  
1,424,596 A \* 8/1922 Scrivner ..... A01M 1/10  
43/121  
1,540,621 A \* 6/1925 Hanson ..... A01M 1/2005  
43/131  
2,051,800 A \* 8/1936 Lindecker ..... A01M 1/2005  
43/121

D660,935 S \* 5/2012 Hardigree ..... D22/122  
D668,314 S \* 10/2012 MacKay ..... D22/122  
D888,877 S \* 6/2020 White ..... D22/122  
2009/0282728 A1 \* 11/2009 McKnight ..... A01M 1/10  
43/109  
2011/0252693 A1 \* 10/2011 Hui ..... A01M 1/103  
43/111  
2016/0100567 A1 \* 4/2016 McKnight ..... A01M 1/026  
43/109

\* cited by examiner

*Primary Examiner* — Catherine R Oliver-Garcia  
(74) *Attorney, Agent, or Firm* — ATLawip LLC; Jeffrey  
T. Breloski

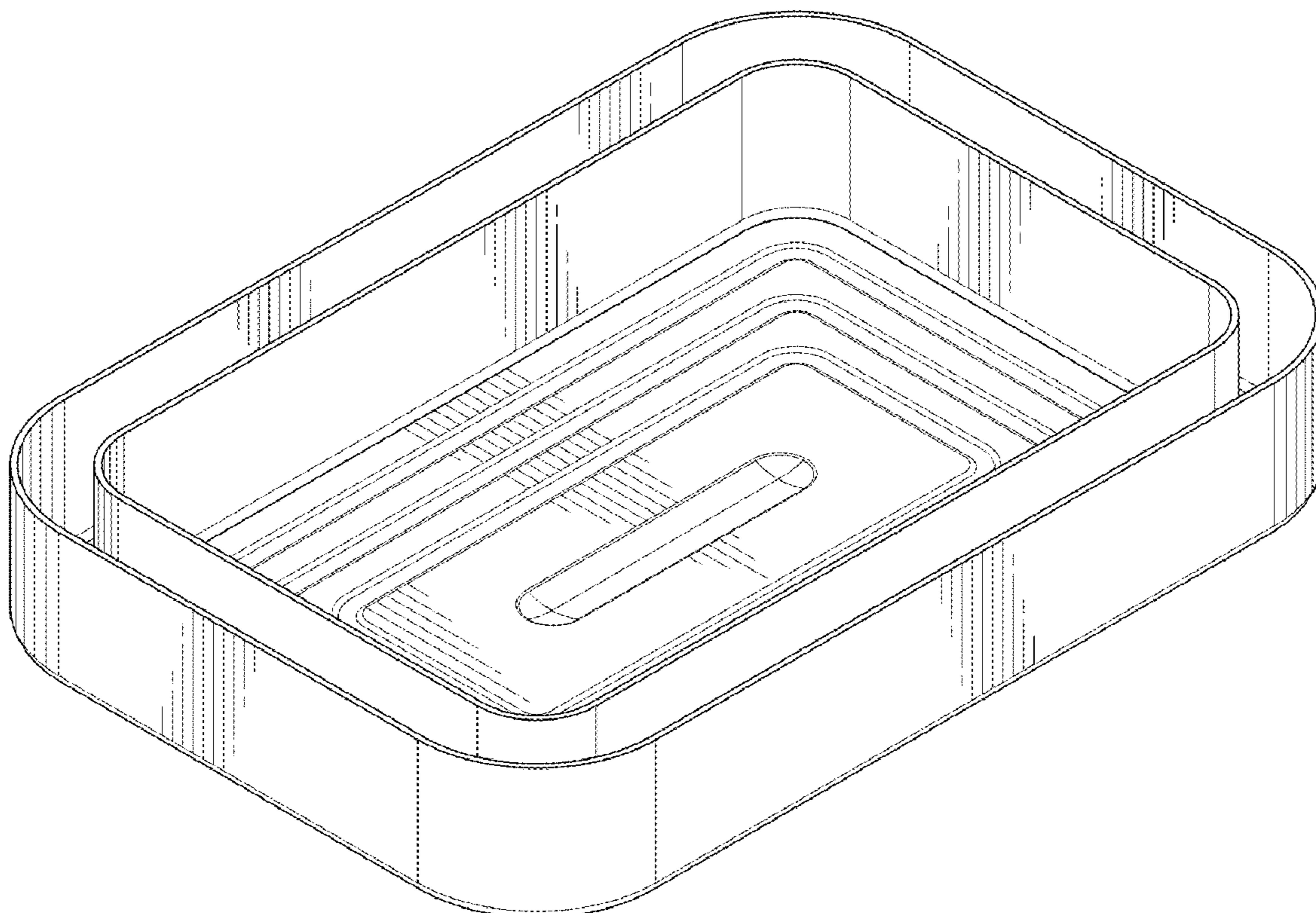
(57) **CLAIM**

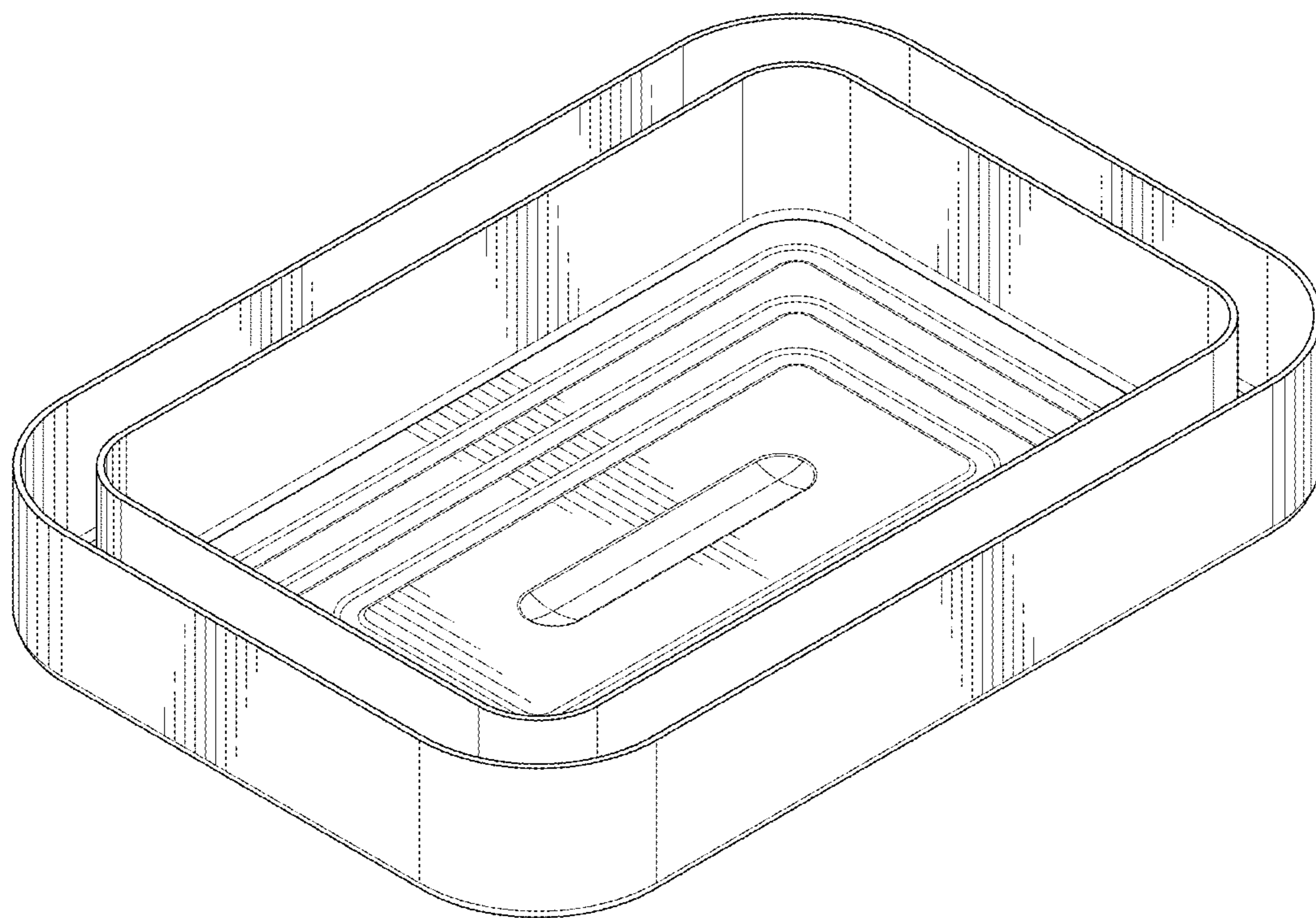
The ornamental design for a bug trapper XL, as shown and described.

**DESCRIPTION**

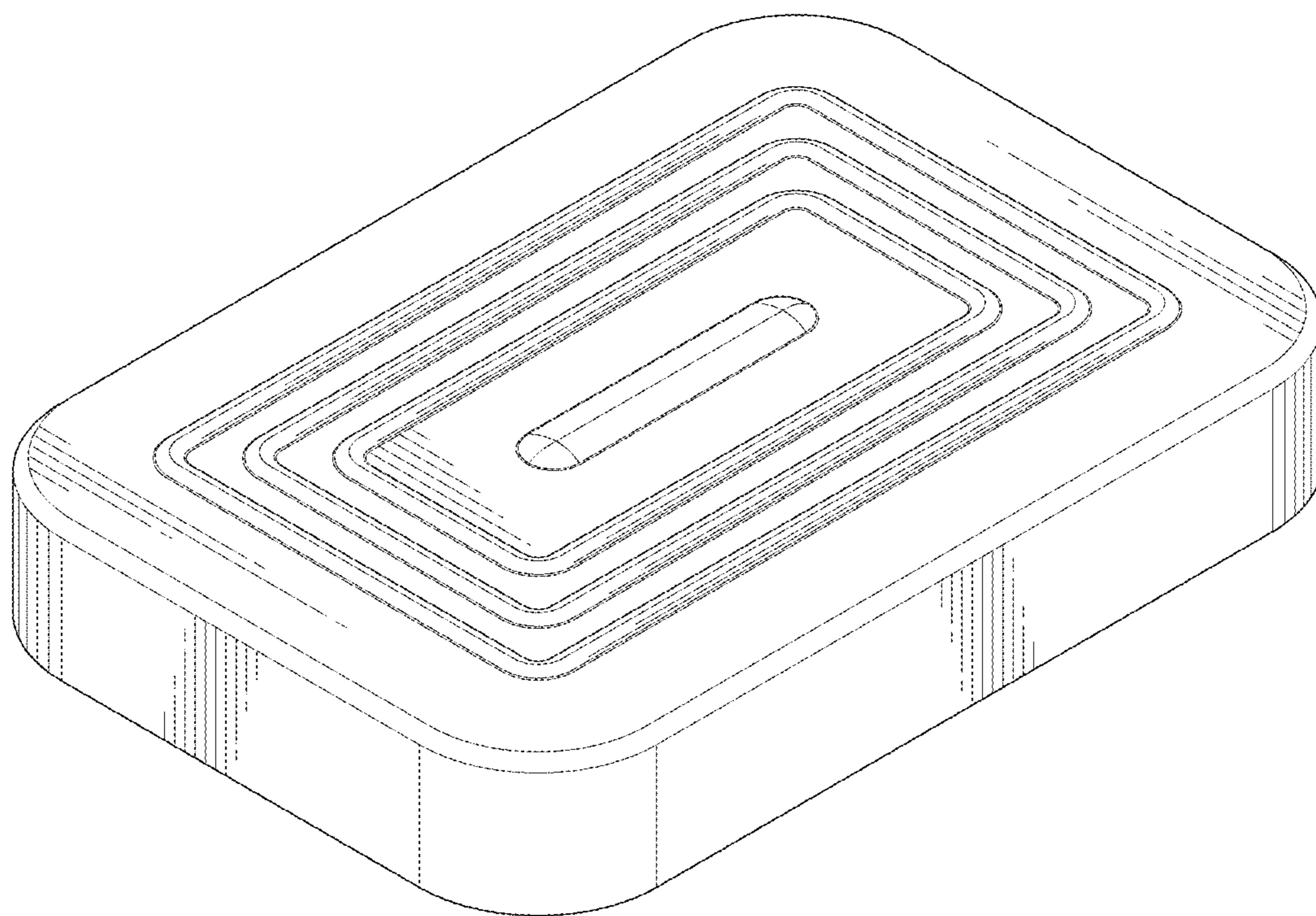
FIG. 1 is a top perspective view of a bug trapper XL according to my design;  
FIG. 2 is a bottom perspective view thereof;  
FIG. 3 is a top plan view thereof;  
FIG. 4 is a left side elevational view thereof;  
FIG. 5 is a right side elevational view thereof;  
FIG. 6 is a left side cross sectional view of FIG. 3;  
FIG. 7 is a front elevational view thereof;  
FIG. 8 is a rear elevational view thereof;  
FIG. 9 is a front cross sectional view of FIG. 3; and,  
FIG. 10 is a bottom plan view thereof.

**1 Claim, 3 Drawing Sheets**





*Fig. 1*



*Fig. 2*

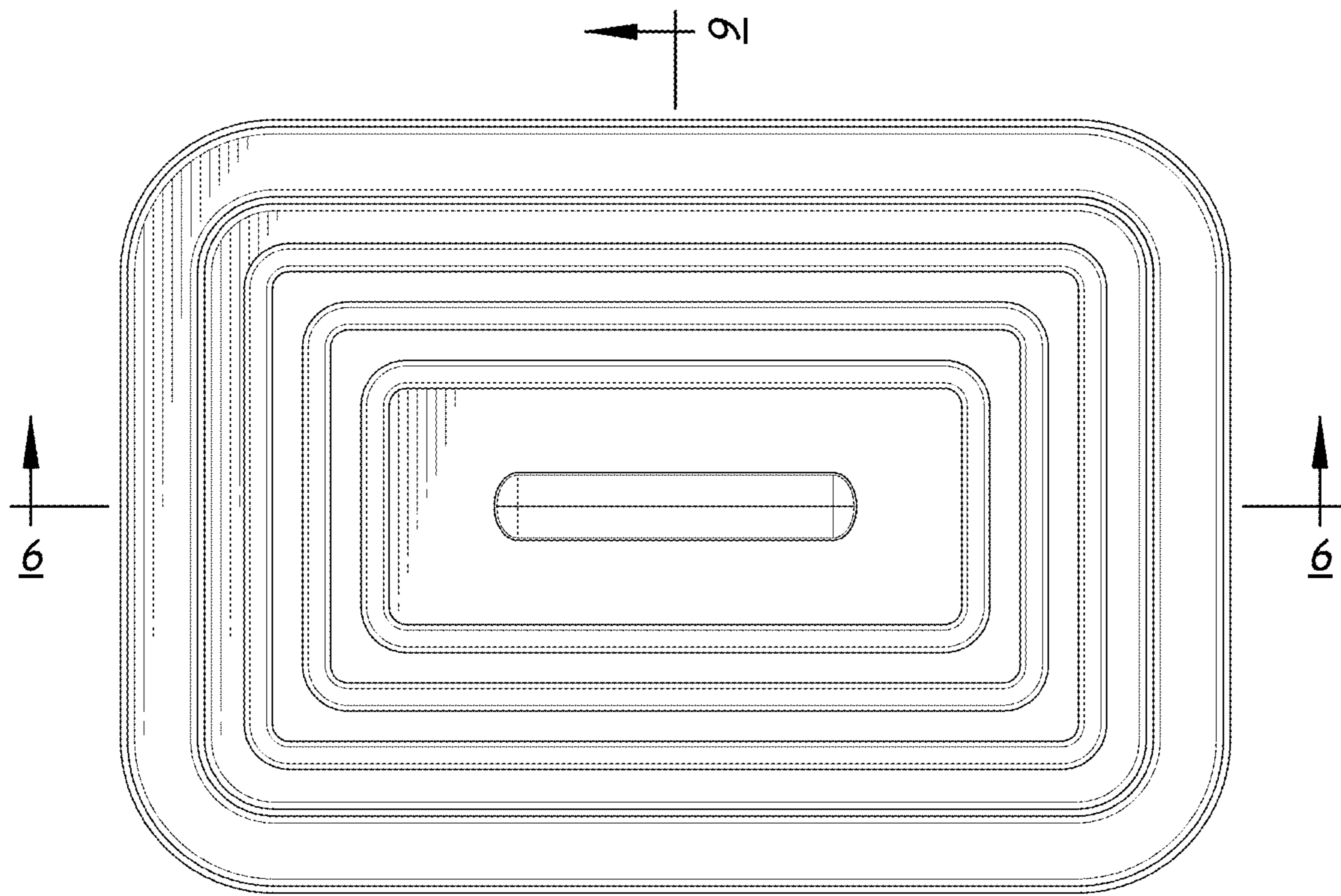


Fig. 3

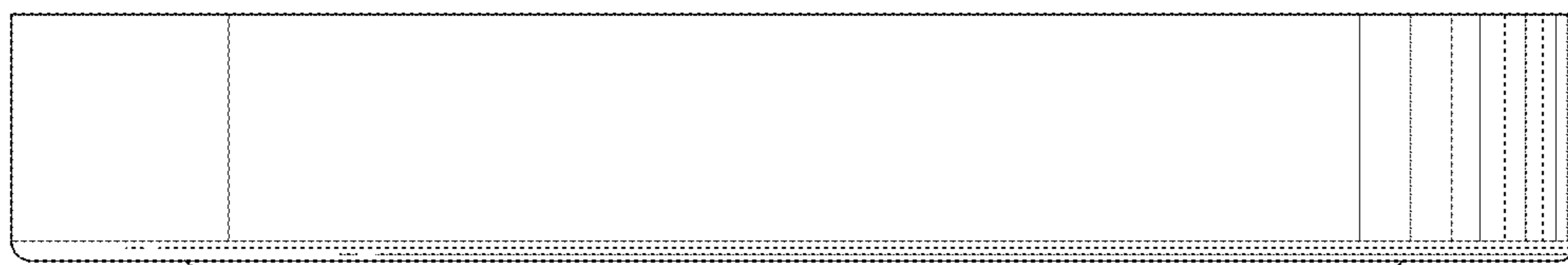


Fig. 4

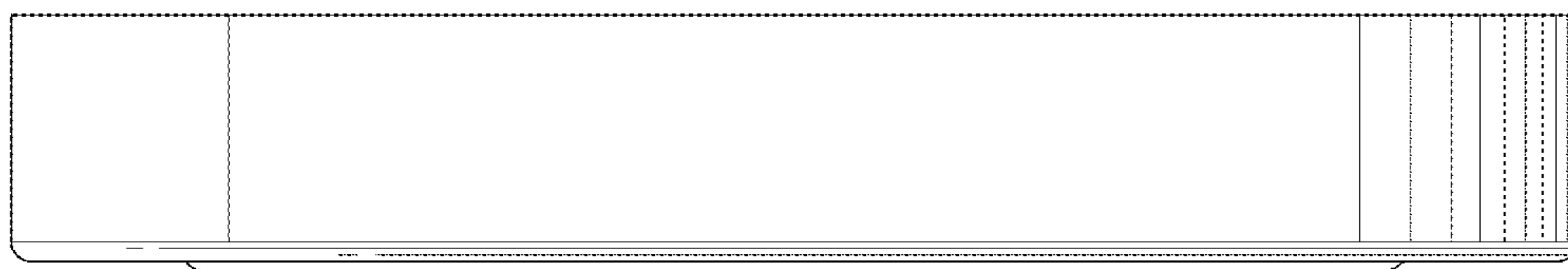


Fig. 5

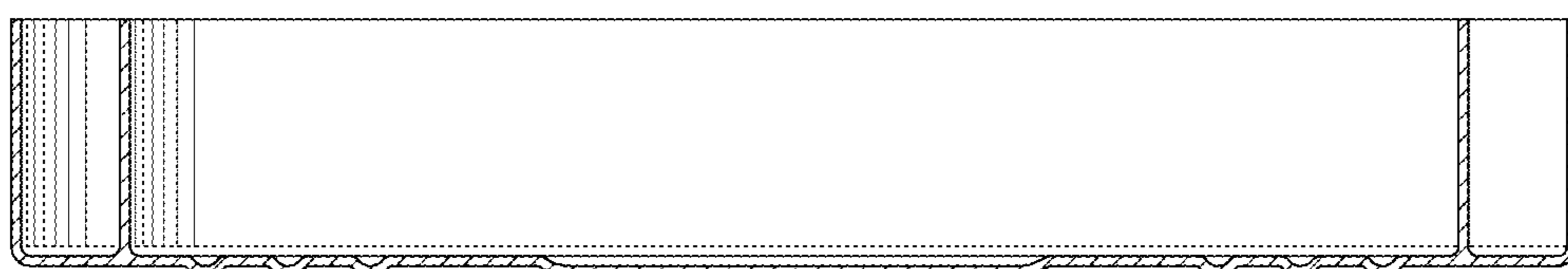
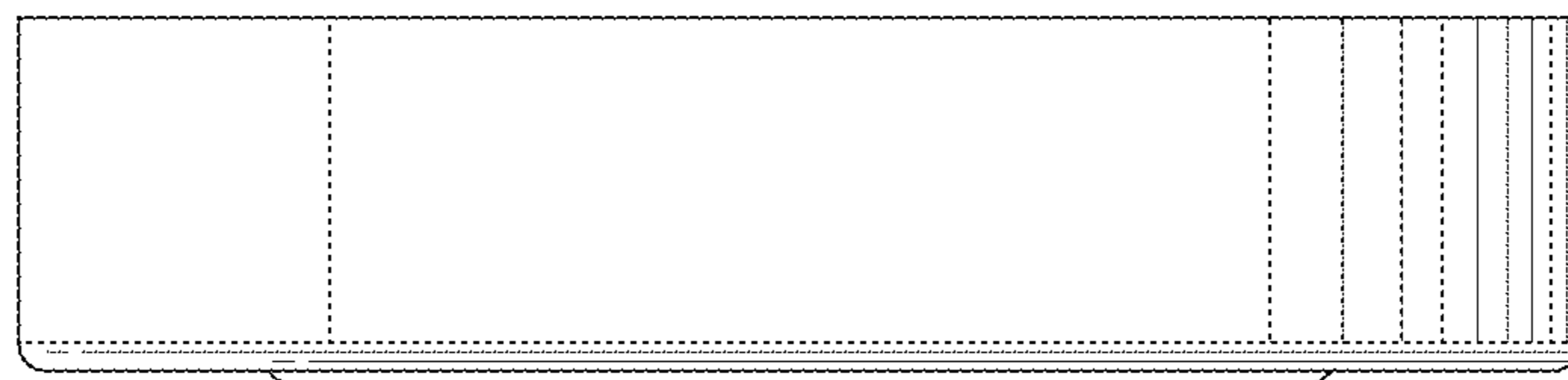


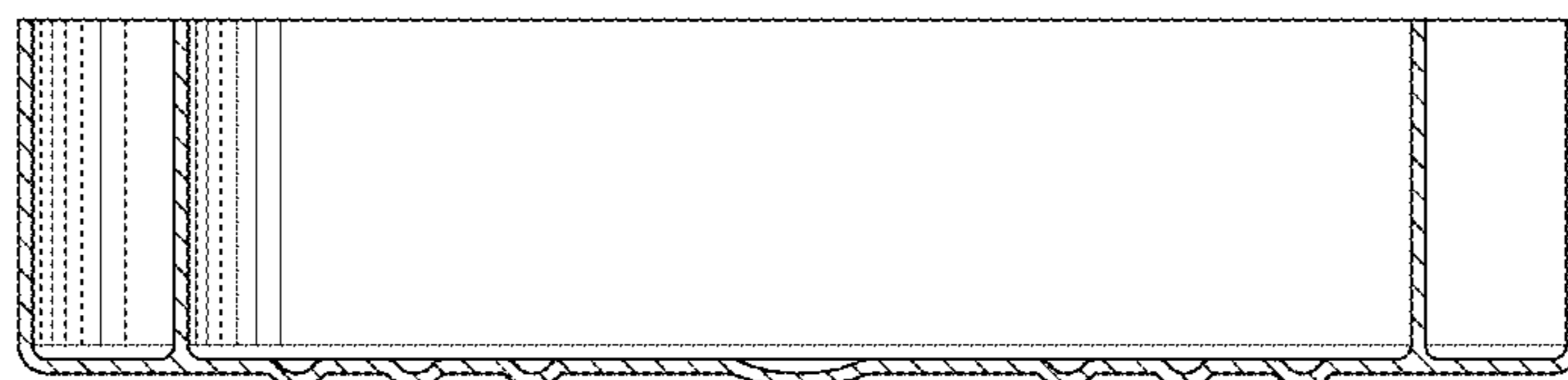
Fig. 6



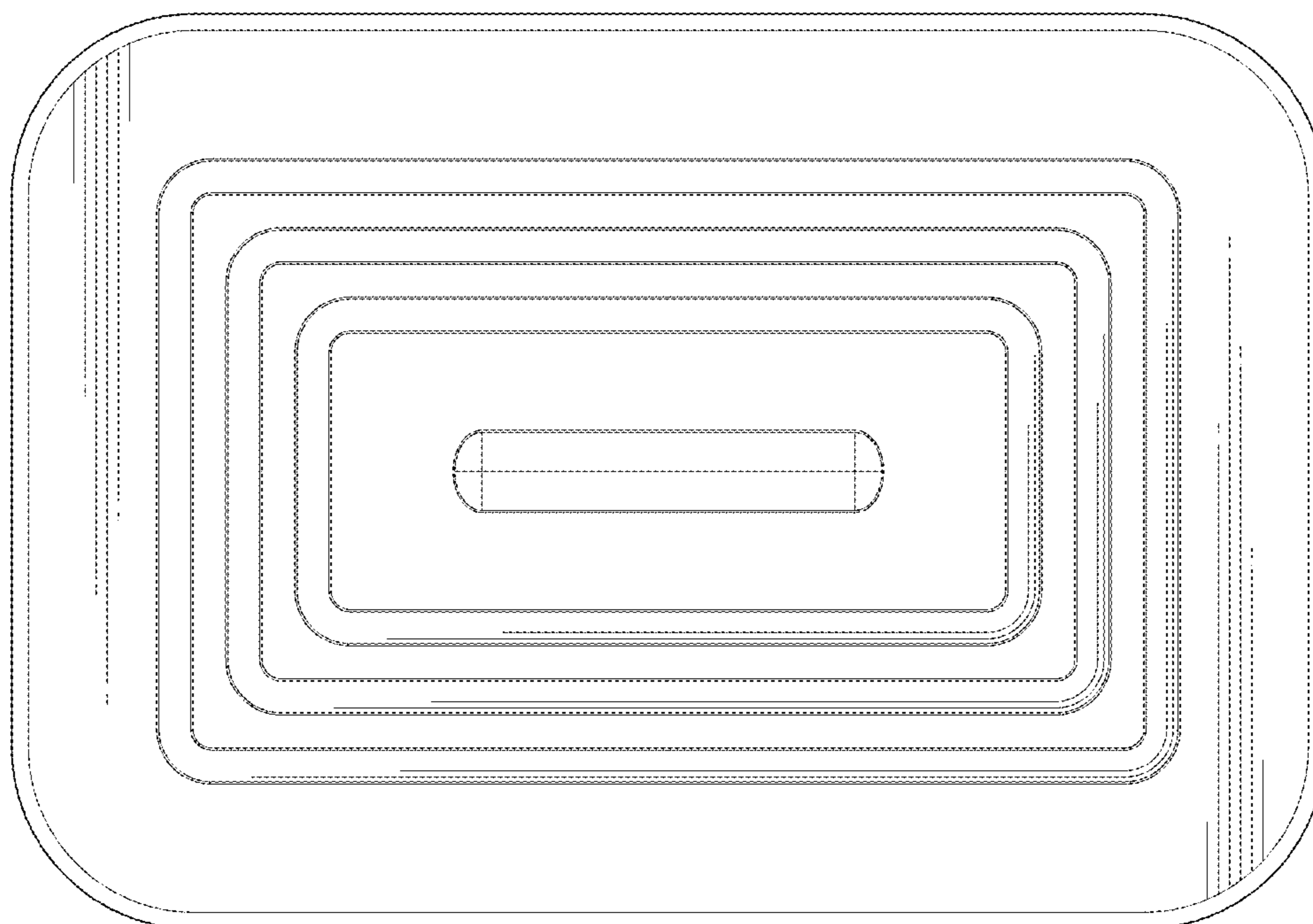
*Fig. 7*



*Fig. 8*



*Fig. 9*



*Fig. 10*