



US00D898861S

(12) **United States Design Patent**
Benini et al.

(10) **Patent No.:** **US D898,861 S**

(45) **Date of Patent:** **** Oct. 13, 2020**

- (54) **PROJECTILE**
- (71) Applicant: **SinterFire, Inc.**, Kersey, PA (US)
- (72) Inventors: **Brian Benini**, Kersey, PA (US);
Michael Sloff, St. Marys, PA (US)
- (73) Assignee: **Sinterfire, Inc.**, Kersey, PA (US)
- (**) Term: **15 Years**
- (21) Appl. No.: **29/695,309**
- (22) Filed: **Jun. 18, 2019**
- (51) **LOC (12) Cl.** **22-03**
- (52) **U.S. Cl.**
USPC **D22/116**
- (58) **Field of Classification Search**
USPC D22/100, 101, 103, 104, 108, 109, 110,
D22/111, 115, 116, 199; D21/567, 573,
D21/574
CPC ... F41G 1/30; F41G 1/42; F41G 11/00; F41G
11/001; F41C 7/00; F41C 3/005; F41C
23/04; F41C 23/10
See application file for complete search history.

(56) **References Cited**

U.S. PATENT DOCUMENTS

- 29,272 A * 7/1860 Hotchkiss F42B 14/02
102/525
- 693,329 A * 2/1902 Neubauer F42B 12/54
102/512
- 1,944,884 A * 1/1934 Gustav F42B 12/34
102/514
- 2,926,612 A * 3/1960 Olin F42B 12/80
102/514
- 5,216,199 A * 6/1993 Bjerke F42B 5/32
102/204
- 5,443,010 A * 8/1995 Dahlitz F42B 14/04
102/501
- 6,074,454 A * 6/2000 Abrams C22C 1/0425
75/247

- 6,692,083 B2 * 2/2004 Latham E21C 35/18
299/104
- 6,752,084 B1 * 6/2004 Husseini F42B 5/307
102/439
- D518,727 S * 4/2006 Haley D22/116
- D583,927 S * 12/2008 Benner D24/106
- 7,458,322 B2 * 12/2008 Reynolds F42B 5/26
102/469
- D656,922 S * 4/2012 Massaro D14/223
- 8,171,852 B1 * 5/2012 Rebar F42B 12/34
102/509
- 8,267,015 B2 * 9/2012 Marx F42B 10/26
102/501
- D683,419 S * 5/2013 Rebar D22/116
- D713,487 S * 9/2014 Stock, Jr. D22/115
- D717,909 S * 11/2014 Thrift D22/116

(Continued)

OTHER PUBLICATIONS

“Handloading Lead-Free Frangible Bullets for Pistols” [online].
Brad Miller. [Published in 2017]. Retrieved from the Internet:
<<https://americanhandgunner.com/gear/handloading-lead-free-frangible-bullets-for-pistols/>>.*

Primary Examiner — Khawaja Anwar
Assistant Examiner — Mojtaba Tehrani
(74) *Attorney, Agent, or Firm* — Finnegan, Henderson,
Farabow, Garrett & Dunner LLP

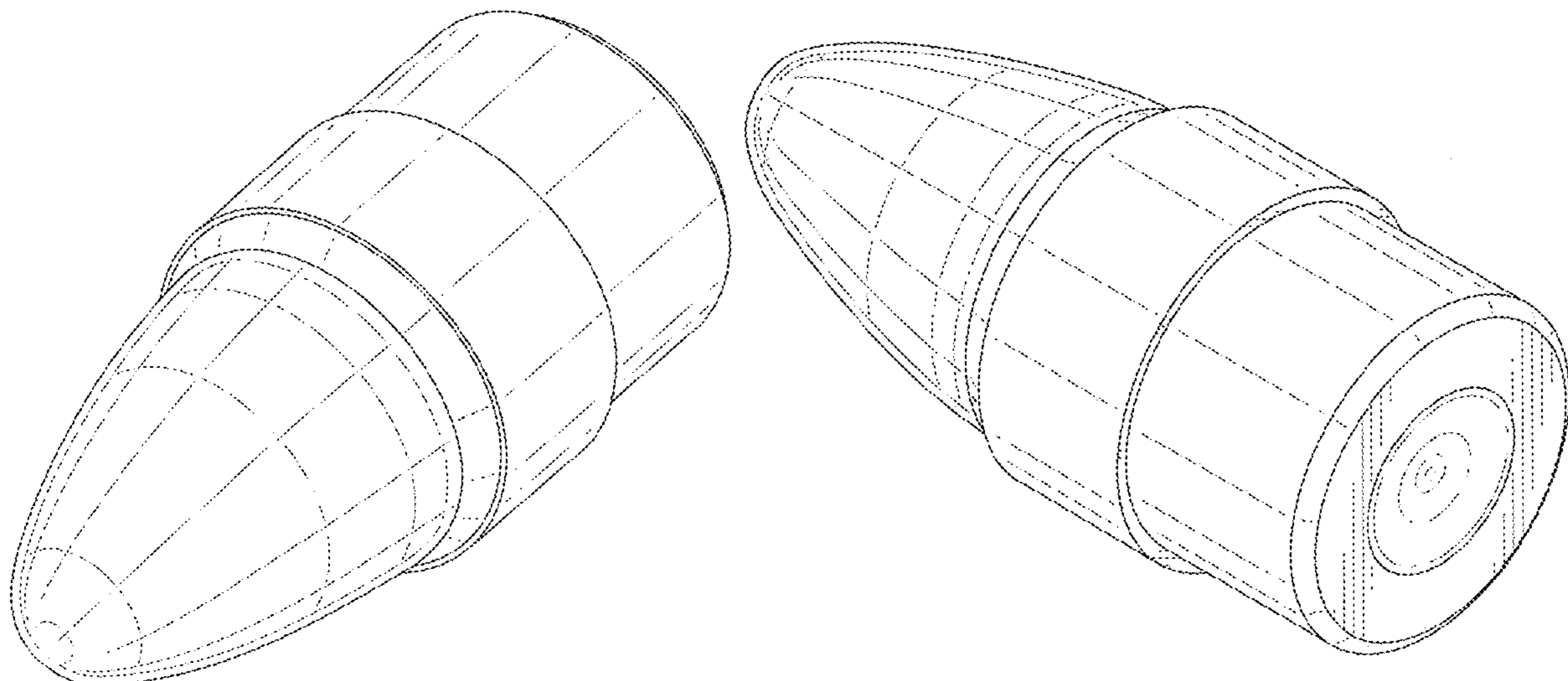
(57) **CLAIM**

The ornamental design for a projectile, as shown and described.

DESCRIPTION

FIG. 1 is a front perspective view of a projectile showing our new design.
FIG. 2 is a front view thereof;
FIG. 3 is a rear view thereof;
FIG. 4 is a side view thereof, wherein the other side views are identical thereto; and,
FIG. 5 is a rear perspective view thereof.

1 Claim, 5 Drawing Sheets



(56)

References Cited

U.S. PATENT DOCUMENTS

D722,126 S * 2/2015 Bray D22/115
 D733,834 S * 7/2015 Burczynski D22/115
 D752,703 S * 3/2016 Arnedo Vera D22/116
 D753,258 S * 4/2016 Arnedo Vera D22/116
 9,360,287 B2 * 6/2016 Emary F42B 12/34
 D764,624 S * 8/2016 Masinelli D22/116
 D778,392 S * 2/2017 Smith D22/116
 D800,244 S * 10/2017 Burczynski D22/115
 D800,245 S * 10/2017 Burczynski D22/115
 D800,246 S * 10/2017 Burczynski D22/115
 D802,705 S * 11/2017 Burczynski D22/115
 D861,434 S * 10/2019 Breault D7/510
 D877,848 S * 3/2020 Kedairy D22/116
 D882,024 S * 4/2020 Burrow D22/116
 D882,724 S * 4/2020 Burrow D22/116
 D884,821 S * 5/2020 Peterson D22/116

2006/0027128 A1 * 2/2006 Hober F42B 14/06
 102/514
 2007/0181029 A1 * 8/2007 Mcaninch F41B 11/00
 102/430
 2012/0180685 A1 * 7/2012 O F42B 12/48
 102/334
 2012/0291655 A1 * 11/2012 Jones F42B 10/26
 102/502
 2016/0025469 A1 * 1/2016 Nurminen F42B 12/34
 102/508
 2016/0047638 A1 * 2/2016 Golloher F42B 12/34
 102/501
 2016/0265886 A1 * 9/2016 Aldrich F42B 5/30
 2016/0377399 A1 * 12/2016 Burrow F42B 33/001
 86/18
 2017/0080498 A1 * 3/2017 Burrow C22C 38/04
 2017/0089673 A1 * 3/2017 Burrow F42B 12/20
 2017/0205215 A1 * 7/2017 Sloff F42B 12/74
 2018/0224252 A1 * 8/2018 O'Rourke B29C 45/0001

* cited by examiner

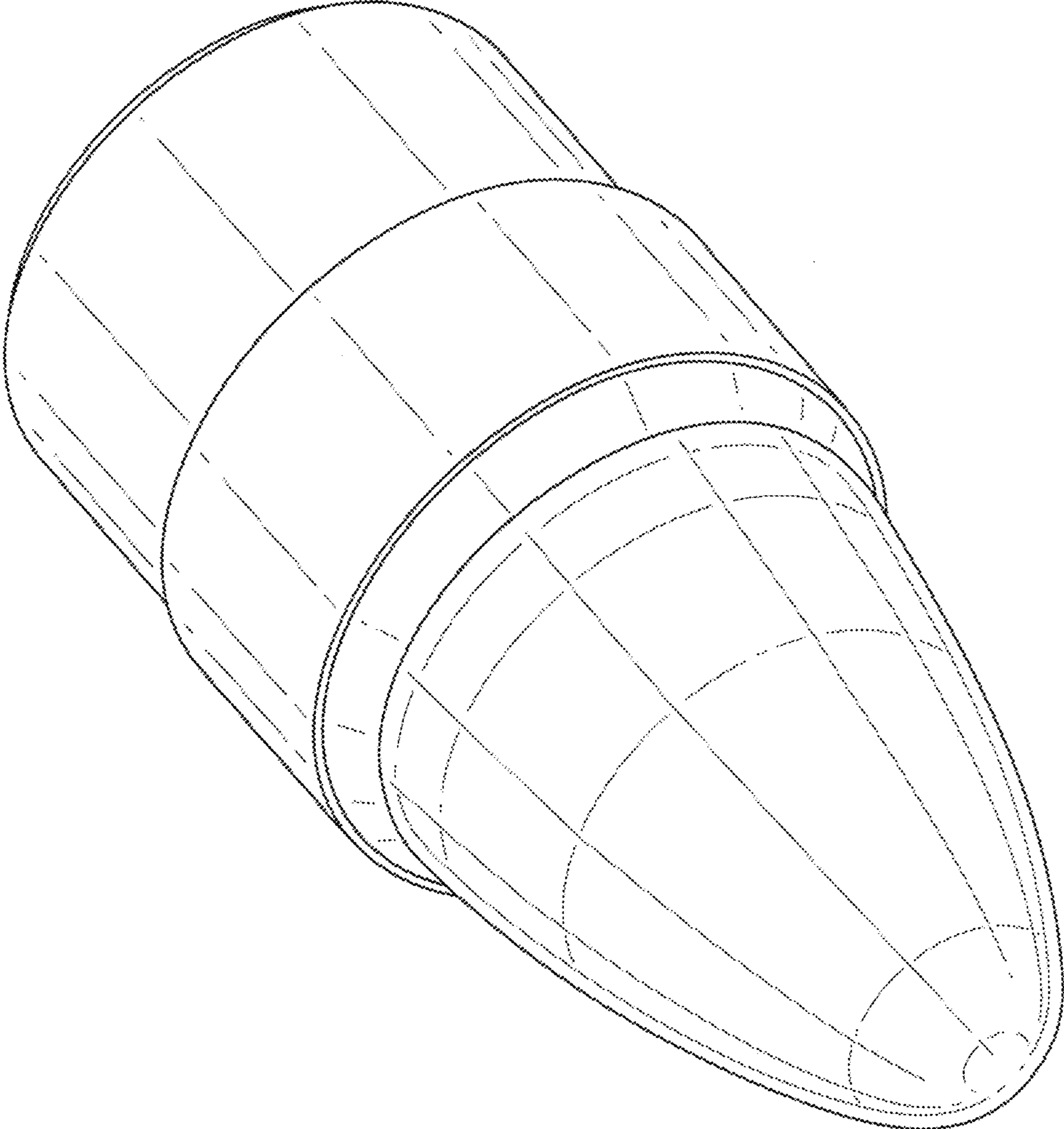


FIG. 1

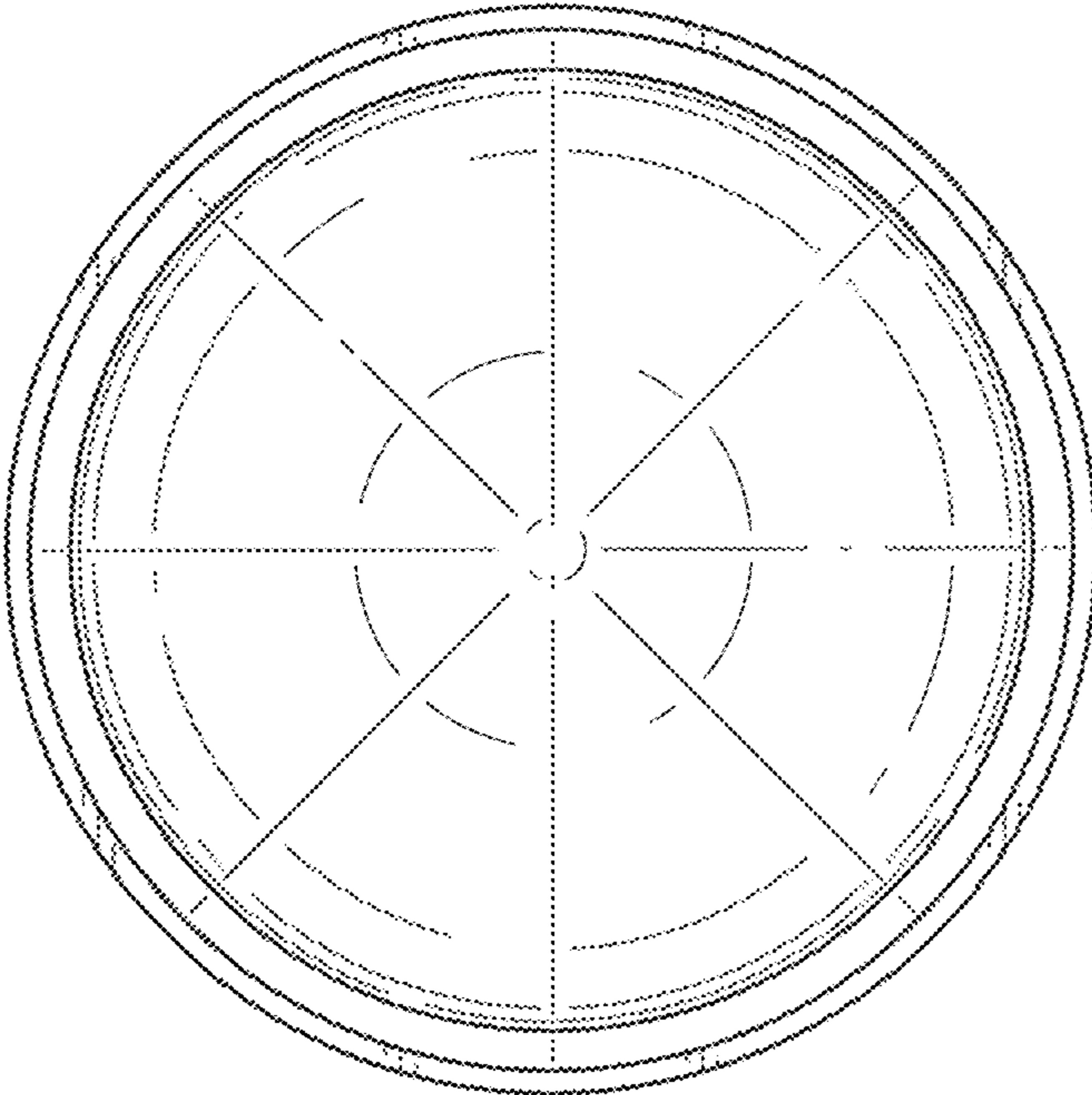


FIG. 2

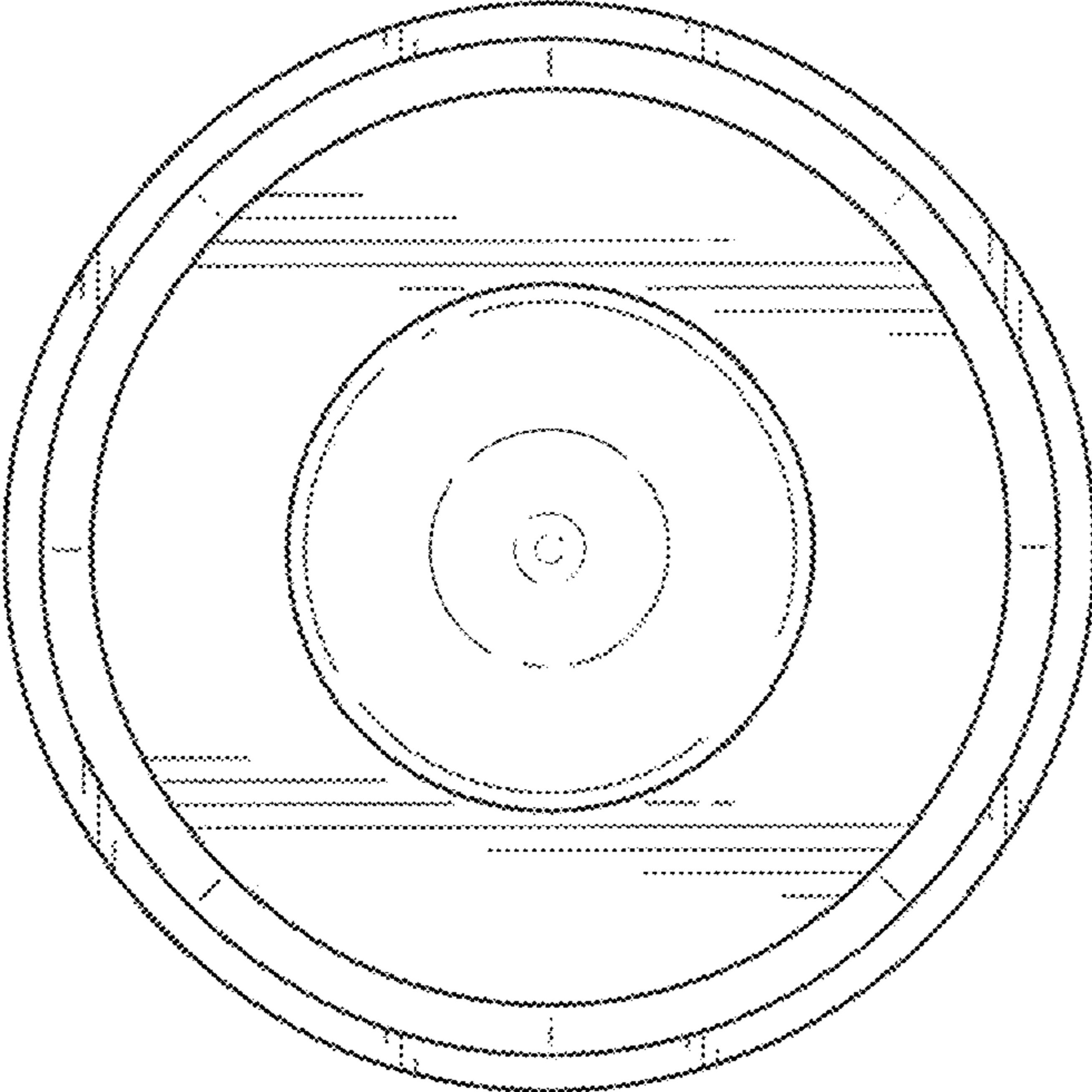


FIG. 3

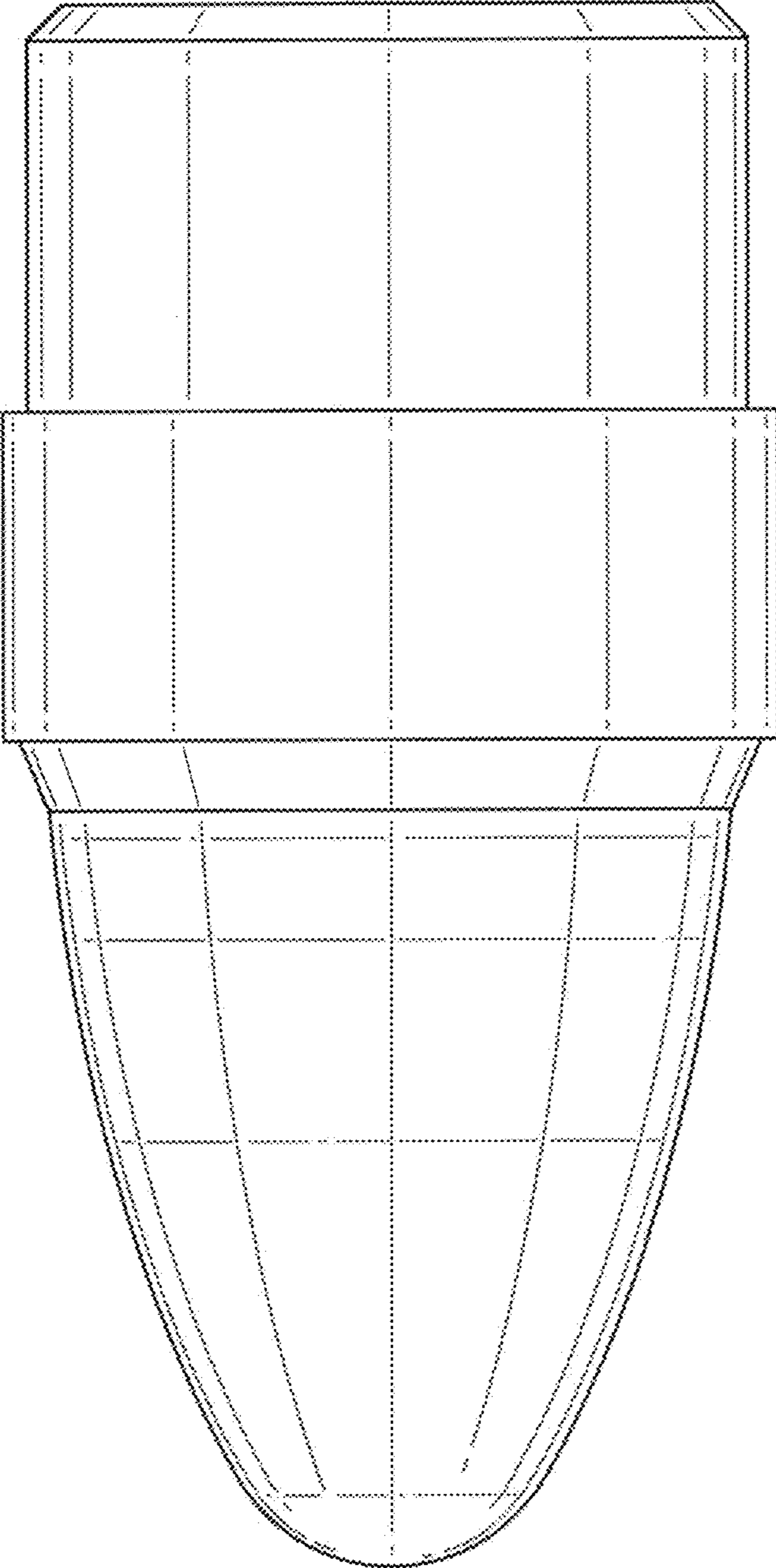


FIG. 4

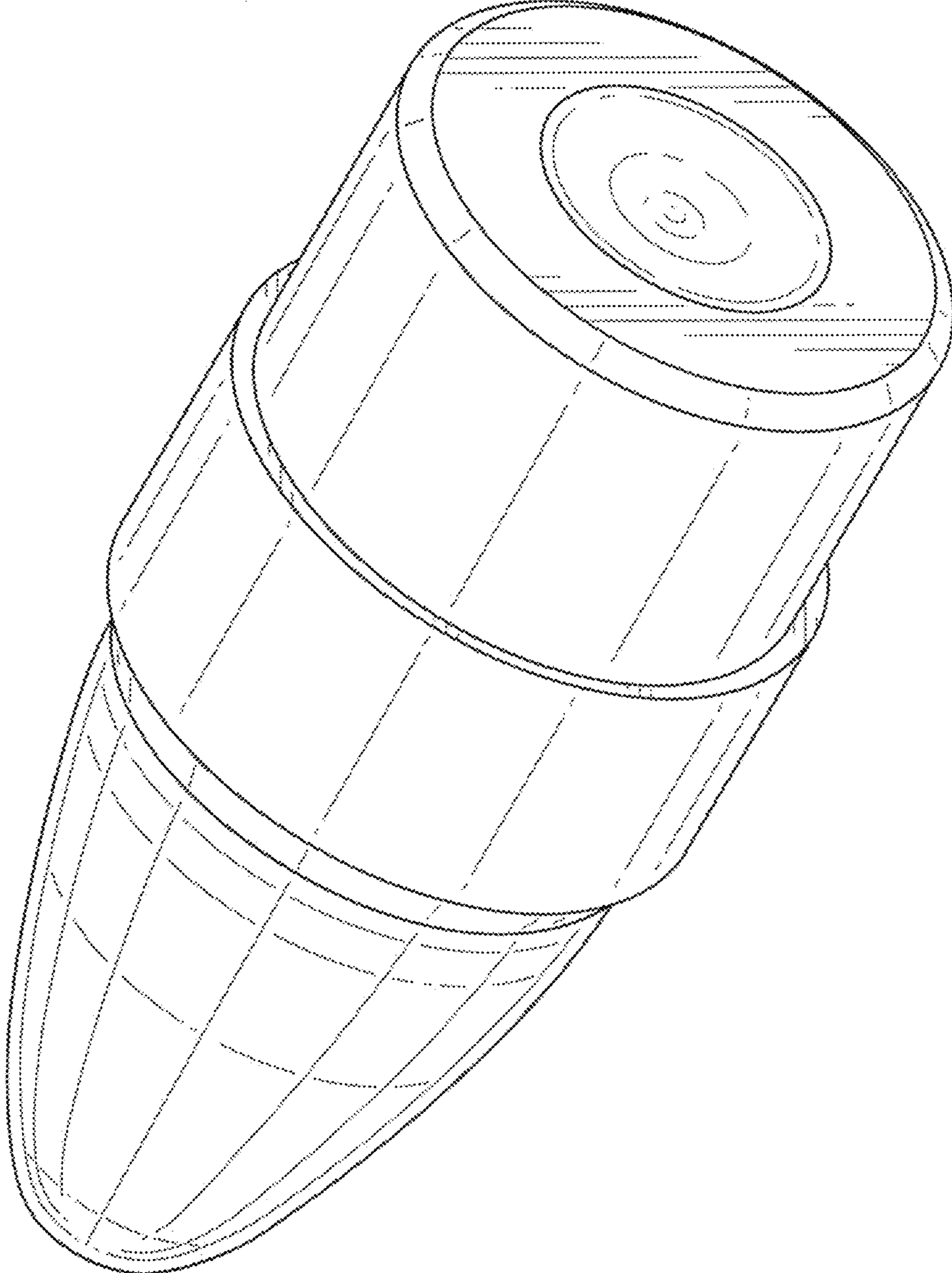


FIG. 5