



US00D898860S

(12) **United States Design Patent**  
**Dwyer et al.**

(10) **Patent No.:** **US D898,860 S**  
(45) **Date of Patent:** **\*\* Oct. 13, 2020**

(54) **SEMIAUTONOMOUS WEAPON MOUNT**

(71) Applicant: **AimLock Inc.**, Littleton, CO (US)

(72) Inventors: **Benjamin Dwyer**, Littleton, CO (US);  
**Raymond Keeney**, Littleton, CO (US);  
**Bryan Sterling Bockmon**, Littleton,  
CO (US); **Jason R. Gallia**, Littleton,  
CO (US)

(73) Assignee: **AIMLOCK INC.**, Littleton, CO (US)

(\*\*) Term: **15 Years**

(21) Appl. No.: **29/690,682**

(22) Filed: **May 9, 2019**

(51) **LOC (12) Cl.** ..... **22-01**

(52) **U.S. Cl.**

USPC ..... **D22/109**; D8/72

(58) **Field of Classification Search**

USPC ..... D22/100, 101, 103, 104, 108, 109, 110,  
D22/111, 115, 116, 199; D21/567, 573,  
D21/574; D8/72, 73, 74

CPC ... F41G 1/30; F41G 1/42; F41G 11/00; F41G  
11/001; F41C 7/00; F41C 3/005; F41C  
23/04; F41C 23/10

See application file for complete search history.

(56) **References Cited**

**U.S. PATENT DOCUMENTS**

D471,070 S *	3/2003	Howell	.....	D8/72
D556,531 S *	12/2007	Allen	.....	D8/72
7,386,922 B1 *	6/2008	Taylor	.....	E04D 13/10 24/525
D597,393 S *	8/2009	Klippel	.....	D8/72
D667,855 S *	9/2012	Kammerer	.....	D15/140
D699,539 S *	2/2014	Nieto	.....	D8/74

(Continued)

**OTHER PUBLICATIONS**

“South Korea’s autonomous robot gun turrets: deadly from kilo-  
meters away” [online]. Loz Blain. [Published on Dec. 7, 2010].

Retrieved from the Internet: <<https://newatlas.com/korea-dodamm-super-aegis-autonomos-robot-gun-turret/17198/>>.\*

*Primary Examiner* — Khawaja Anwar

*Assistant Examiner* — Mojtaba Tehrani

(74) *Attorney, Agent, or Firm* — Kilpatrick Townsend &  
Stockton, LLP

(57) **CLAIM**

We claim the ornamental design for a semiautonomous  
weapon mount, substantially as shown and described.

**DESCRIPTION**

This invention was made with Government support under  
Contract No. W15QKN-14-9-1001, awarded by U.S.  
Department of Defense. The Government has certain rights  
in this invention.

FIG. 1 is a perspective view of a semiautonomous weapon  
mount with a weapon attached to the semiautonomous  
weapon mount;

FIG. 2 is a perspective view of the semiautonomous weapon  
mount;

FIG. 3 is a front view of the semiautonomous weapon  
mount;

FIG. 4 is a back view of the semiautonomous weapon  
mount;

FIG. 5 is a first side view of the semiautonomous weapon  
mount;

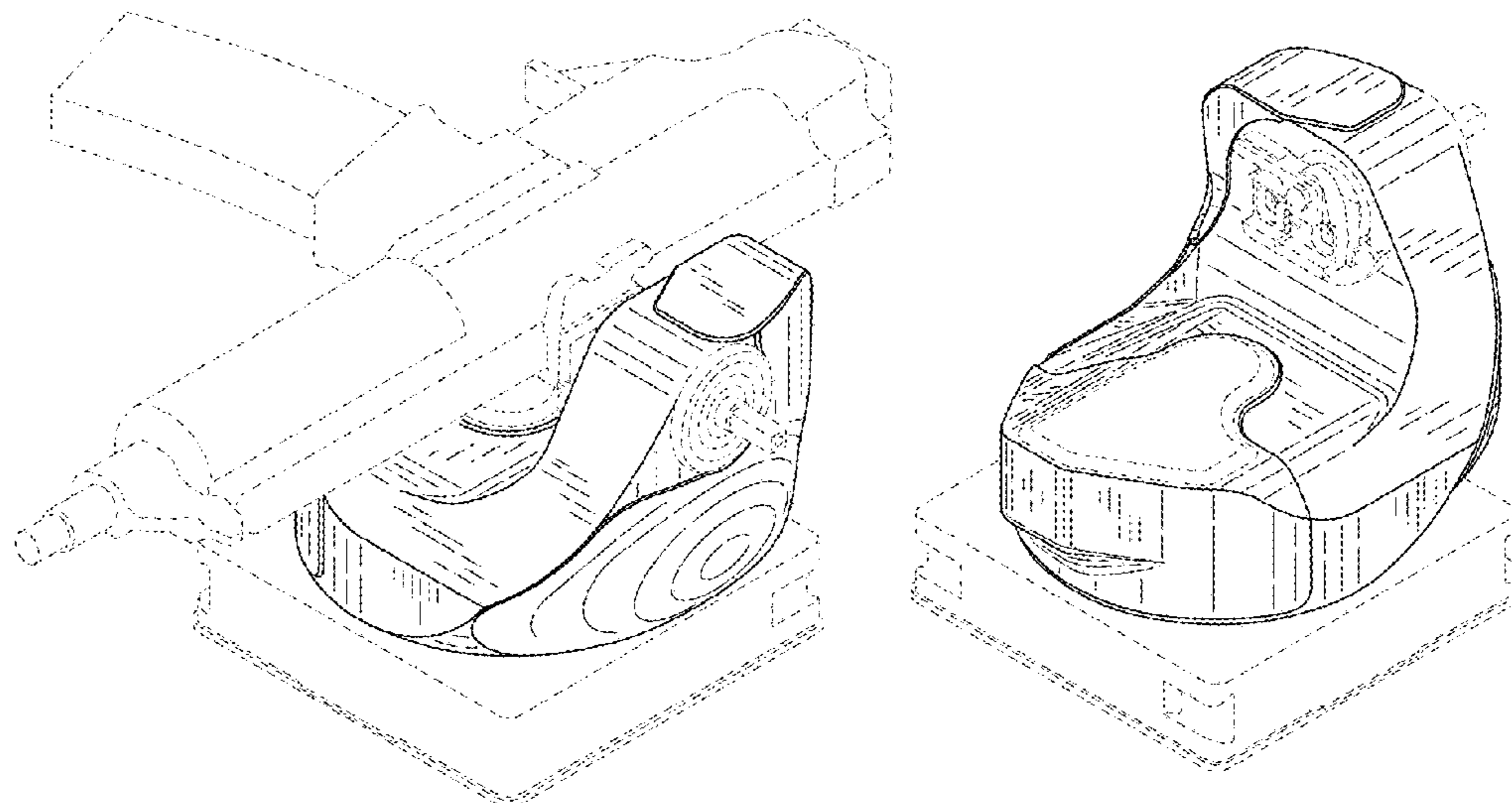
FIG. 6 is a second side view of the semiautonomous weapon  
mount;

FIG. 7 is a top view of the semiautonomous weapon mount;  
and,

FIG. 8 is a bottom view of the semiautonomous weapon  
mount.

The portions illustrated by solid lines are the portions for  
which the claimed design is intended. Any broken lines on  
the figures are for illustrative purposes only and form no part  
of the claimed design.

**1 Claim, 8 Drawing Sheets**



(56)

**References Cited**

U.S. PATENT DOCUMENTS

D730,708 S *	6/2015	Spector .....	D8/73
D762,436 S *	8/2016	Gill .....	D8/72
9,597,780 B2 *	3/2017	Gill .....	B25B 5/105
D821,530 S *	6/2018	Mueller .....	D22/108
D844,406 S *	4/2019	Wenning .....	D8/72
D858,242 S *	9/2019	Lund .....	D8/72

\* cited by examiner

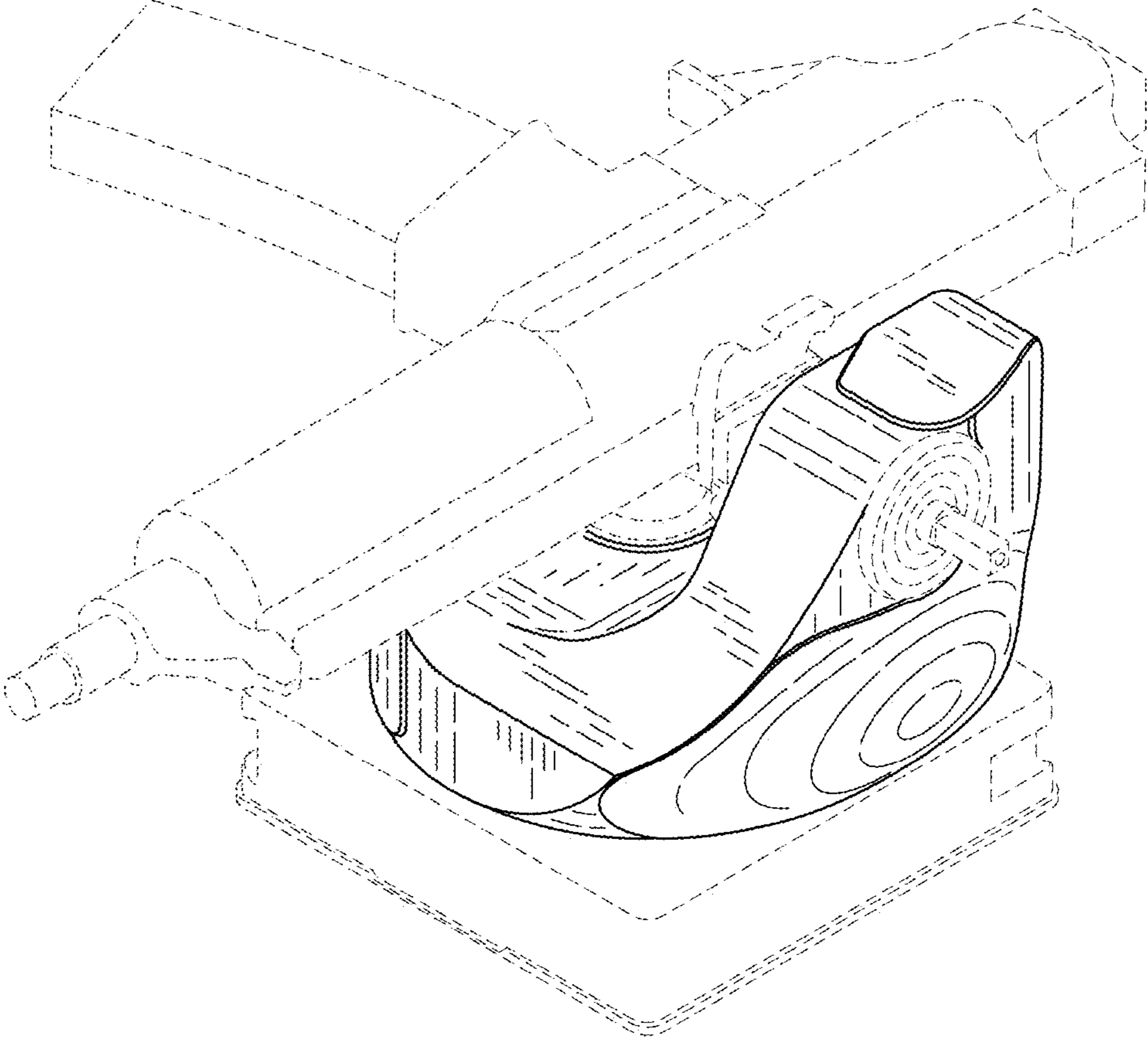


FIG.1

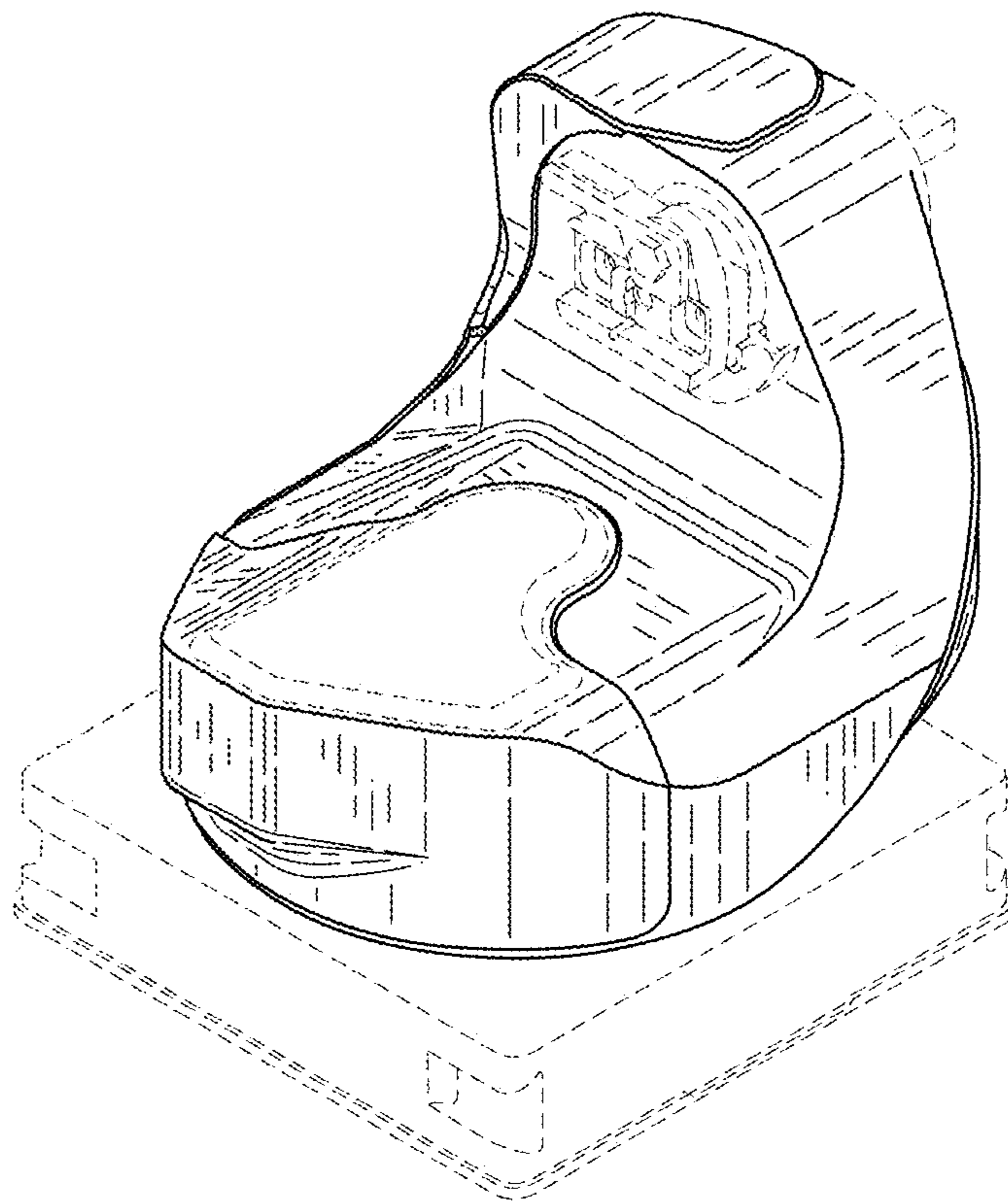


FIG.2

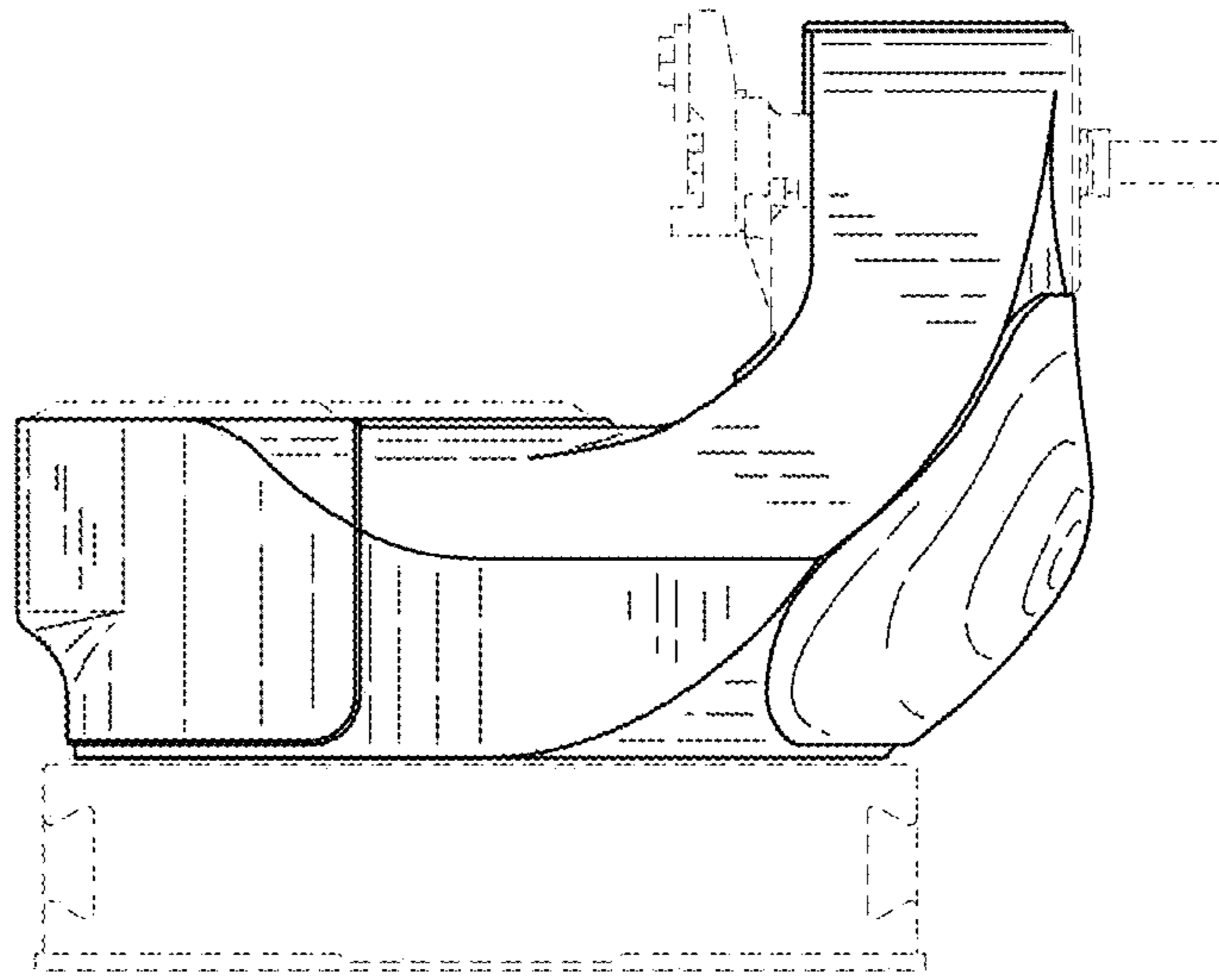


FIG.3

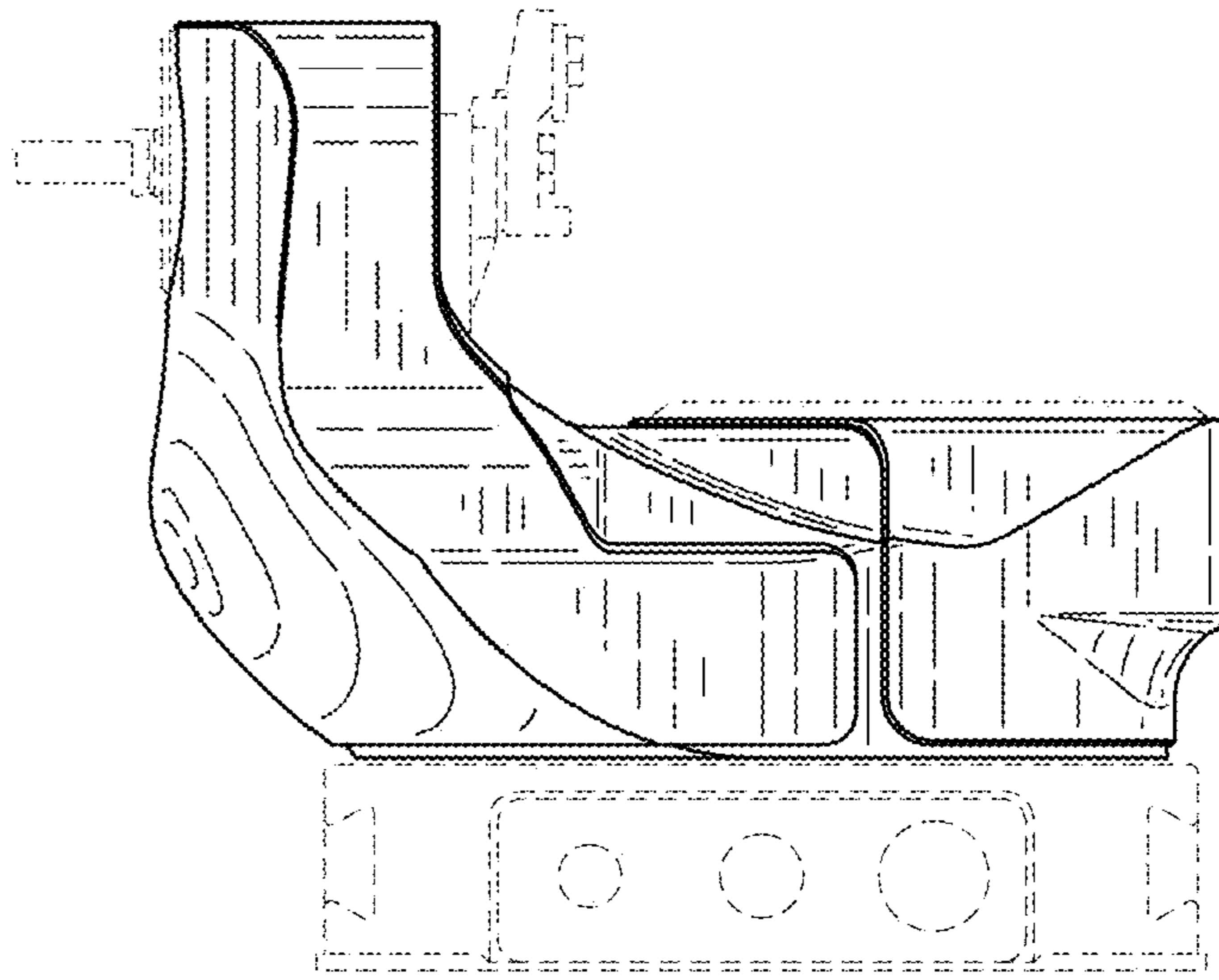


FIG.4

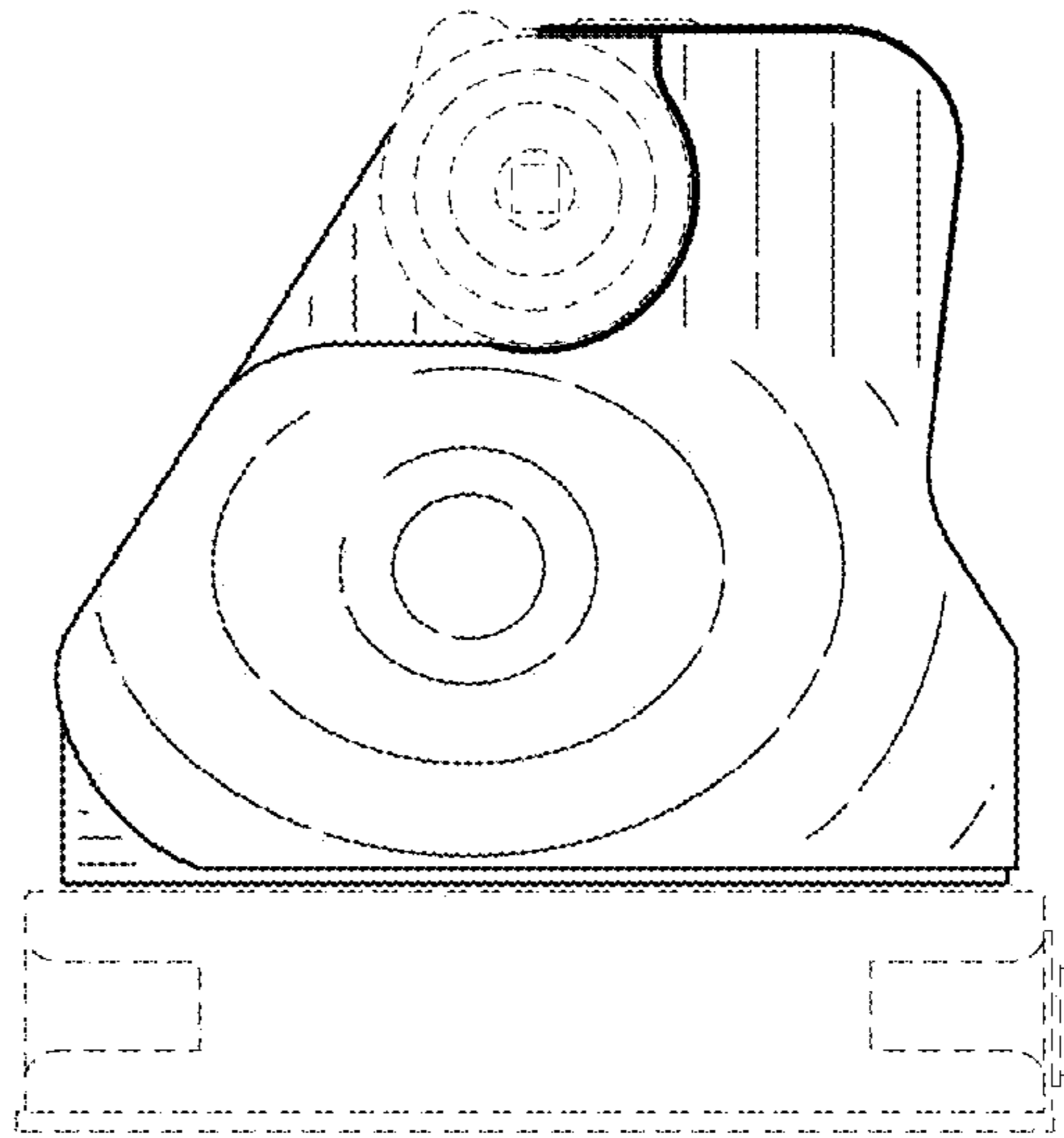


FIG.5

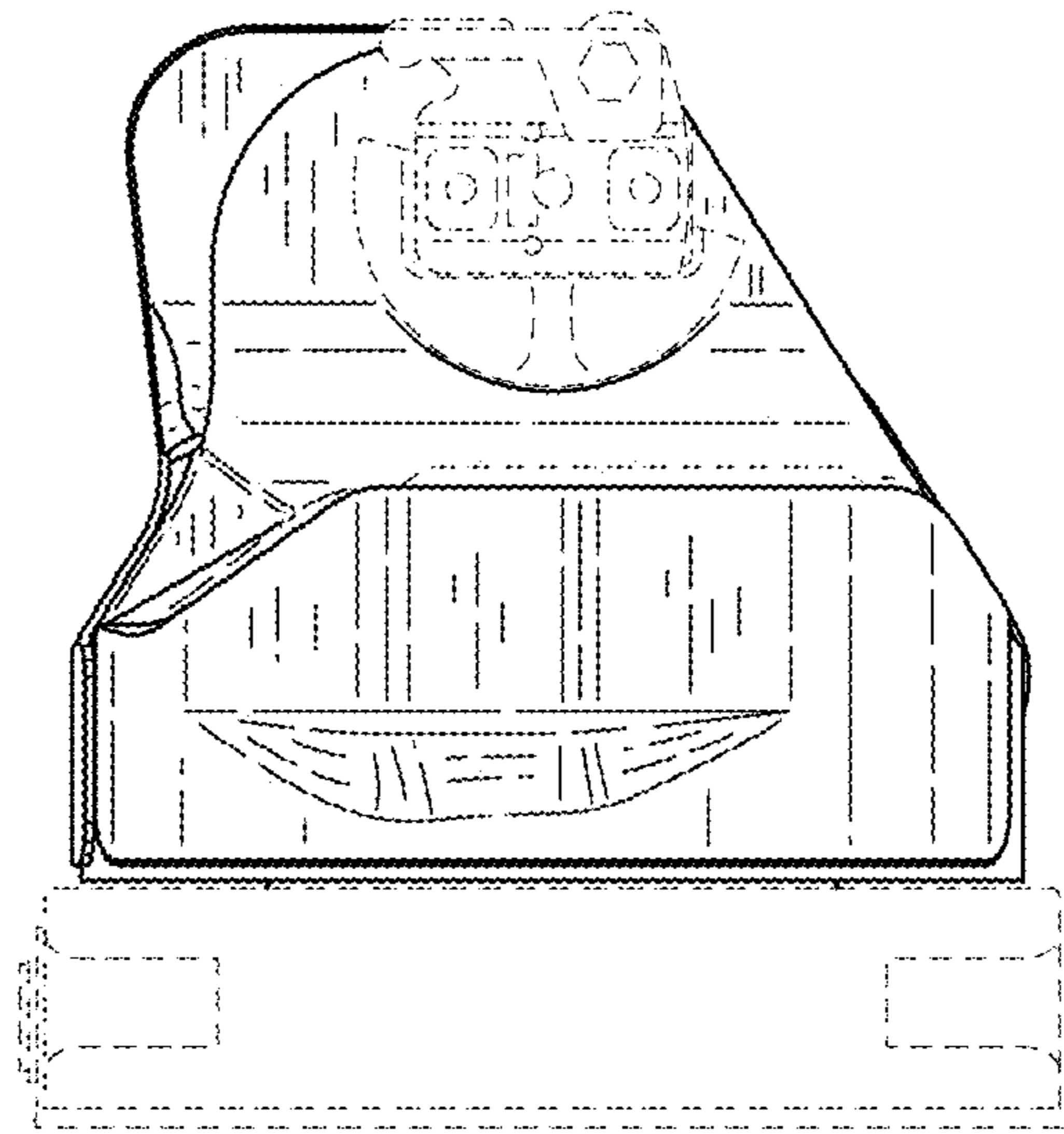


FIG.6



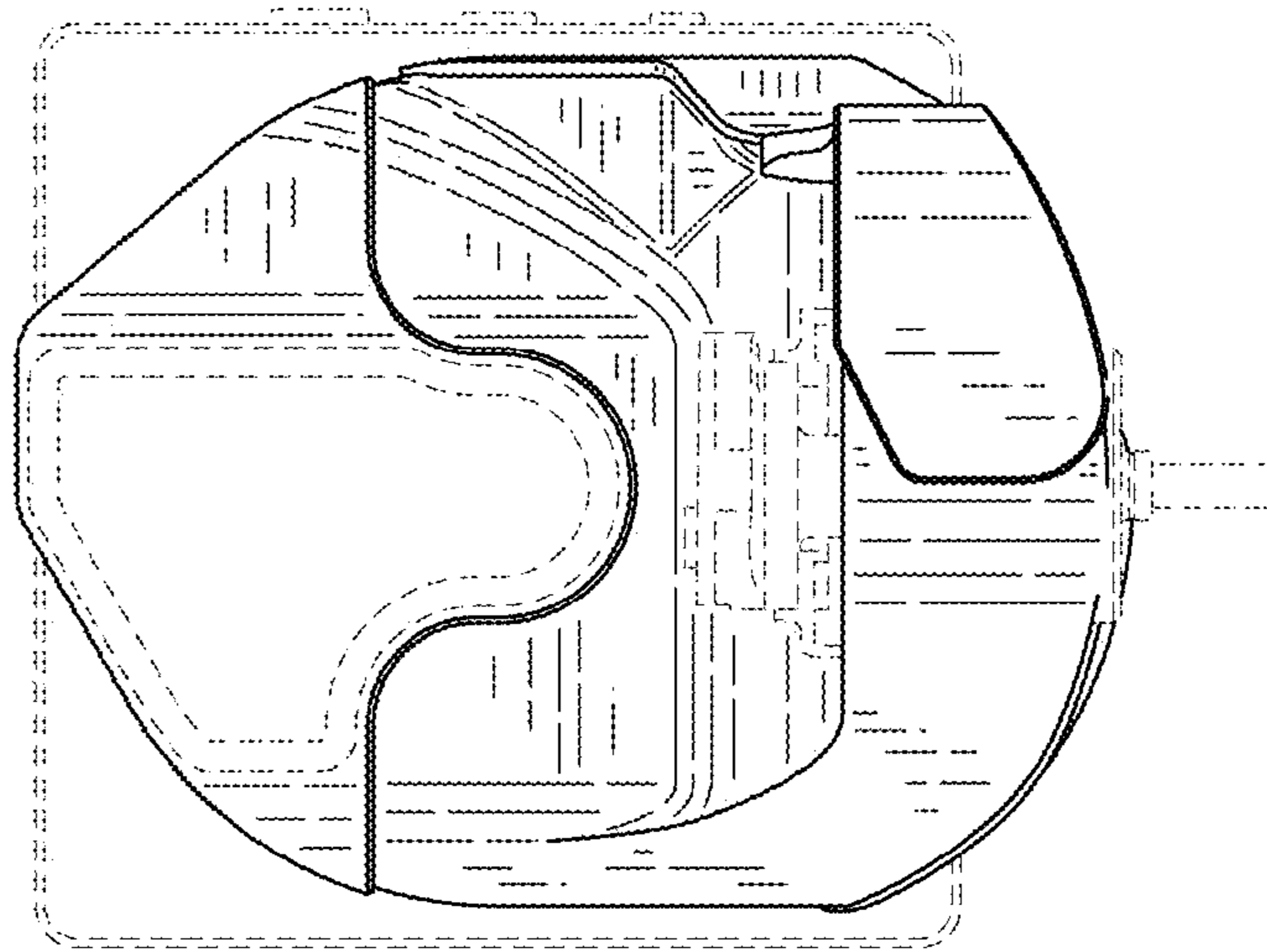


FIG.7

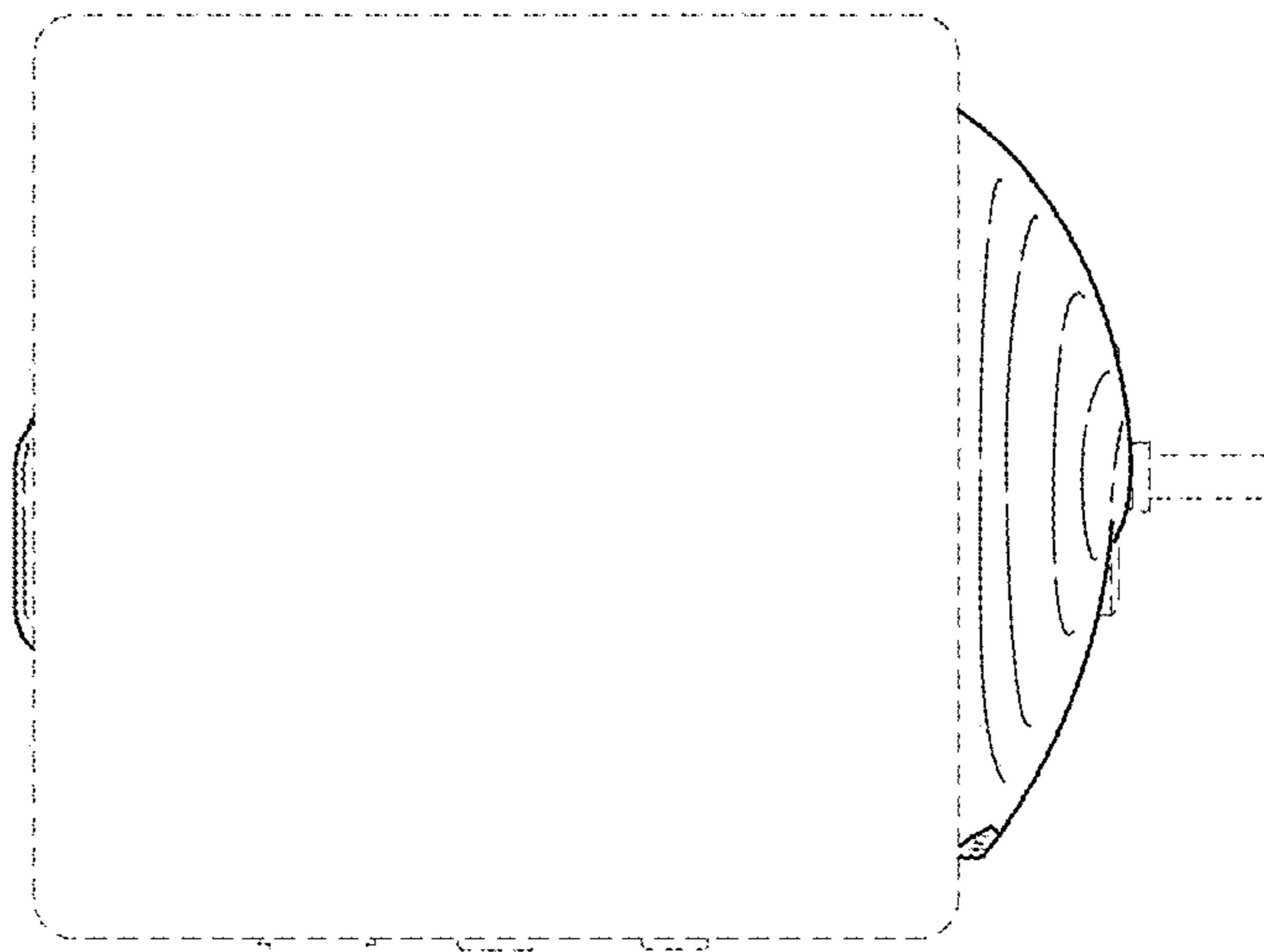


FIG. 8