



US00D898859S

(12) **United States Design Patent**  
**Dwyer et al.**

(10) **Patent No.:** **US D898,859 S**  
(45) **Date of Patent:** **\*\* Oct. 13, 2020**

(54) **SEMIAUTONOMOUS WEAPON MOUNT**

(71) Applicant: **AimLock Inc.**, Littleton, CO (US)

(72) Inventors: **Benjamin Dwyer**, Littleton, CO (US);  
**Raymond Keeney**, Littleton, CO (US);  
**Bryan Sterling Bockmon**, Littleton,  
CO (US); **Jason R. Gallia**, Littleton,  
CO (US); **Shane Korthuis**, Littleton,  
CO (US); **Dusty Terry**, Littleton, CO  
(US); **Marc Hanchak**, Littleton, CO  
(US)

(73) Assignee: **AIMLOCK INC.**, Littleton, CO (US)

(\*\*) Term: **15 Years**

(21) Appl. No.: **29/690,679**

(22) Filed: **May 9, 2019**

(51) **LOC (12) Cl.** ..... **22-01**

(52) **U.S. Cl.**

USPC ..... **D22/109; D8/72**

(58) **Field of Classification Search**

USPC ..... D22/100, 101, 103, 104, 108, 109, 110,  
D22/111, 115, 116, 199; D21/567, 573,  
D21/574; D8/72, 73, 74

CPC ... F41G 1/30; F41G 1/42; F41G 11/00; F41G  
11/001; F41C 7/00; F41C 3/005; F41C  
23/04; F41C 23/10

See application file for complete search history.

(56) **References Cited**

**U.S. PATENT DOCUMENTS**

D471,070 S \* 3/2003 Howell ..... D8/72  
D556,531 S \* 12/2007 Allen ..... D8/72  
7,386,922 B1 \* 6/2008 Taylor ..... E04D 13/10  
24/525

(Continued)

**OTHER PUBLICATIONS**

“South Korea’s autonomous robot gun turrets: deadly from kilo-  
meters away” [online]. Loz Blain. [Published on Dec. 7, 2010].

Retrieved from the Internet: <<https://newatlas.com/korea-dodamm-super-aegis-autonomos-robot-gun-turret/17198/>>.\*

*Primary Examiner* — Khawaja Anwar

*Assistant Examiner* — Mojtaba Tehrani

(74) *Attorney, Agent, or Firm* — Kilpatrick Townsend &  
Stockton, LLP

(57) **CLAIM**

We claim the ornamental design for a semiautonomous  
weapon mount, substantially as shown and described.

**DESCRIPTION**

This invention was made with Government support under  
Contract No. W15QKN-14-9-1001, awarded by U.S.  
Department of Defense. The Government has certain rights  
in this invention.

FIG. 1 is a perspective view of a semiautonomous weapon  
mount with a weapon attached to the semiautonomous  
weapon mount;

FIG. 2 is a perspective view of the semiautonomous weapon  
mount;

FIG. 3 is a front view of the semiautonomous weapon  
mount;

FIG. 4 is a back view of the semiautonomous weapon  
mount;

FIG. 5 is a first side view of the semiautonomous weapon  
mount;

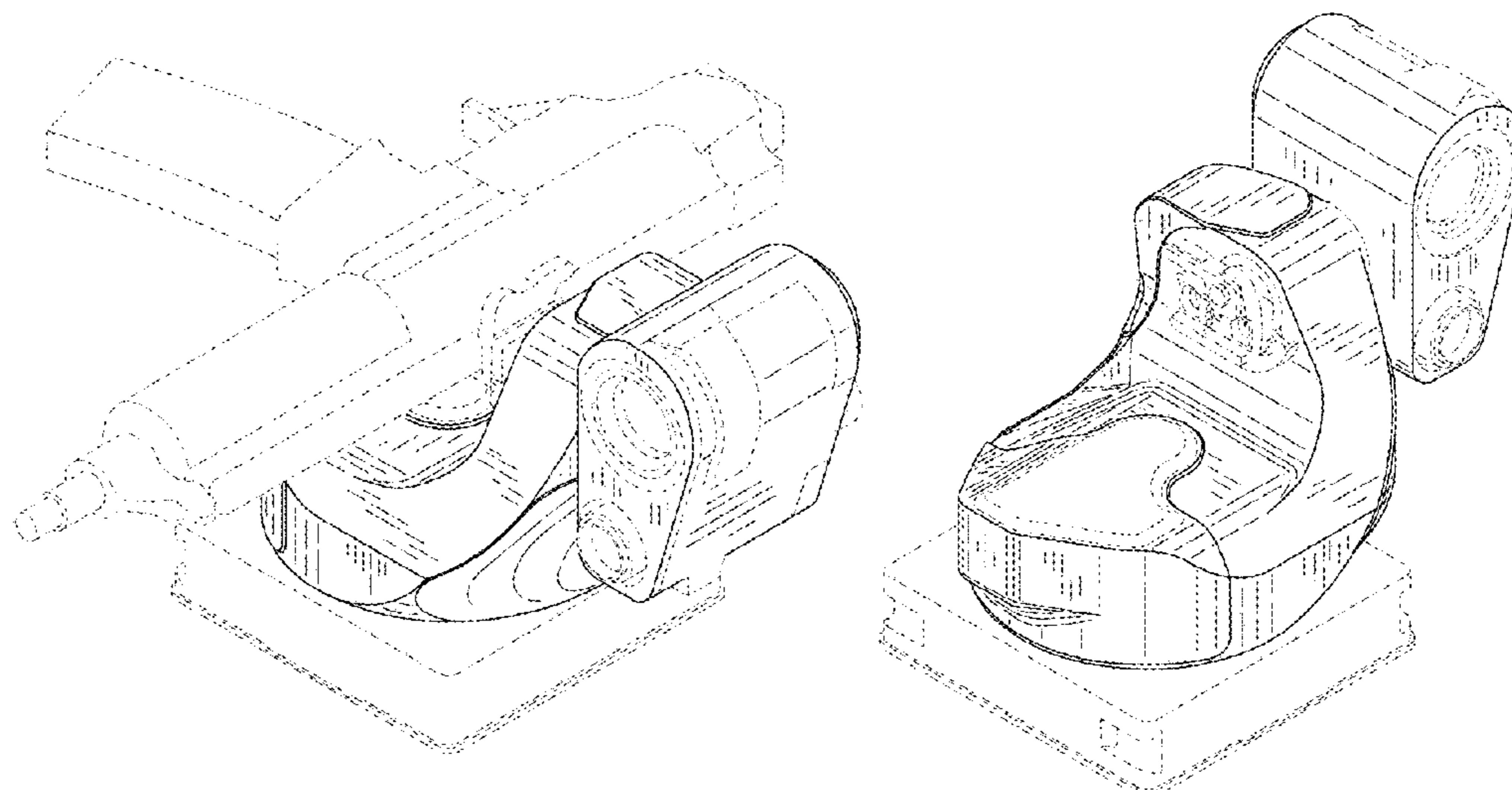
FIG. 6 is a second side view of the semiautonomous weapon  
mount;

FIG. 7 is a top view of the semiautonomous weapon mount;  
and,

FIG. 8 is a bottom view of the semiautonomous weapon  
mount.

The portions illustrated by solid lines are the portions for  
which the claimed design is intended. Any broken lines on  
the figures are for illustrative purposes only and form no part  
of the claimed design.

**1 Claim, 8 Drawing Sheets**



(56)

**References Cited**

U.S. PATENT DOCUMENTS

D597,393 S \* 8/2009 Klippel ..... D8/72  
D667,855 S \* 9/2012 Kammerer ..... D15/140  
D699,539 S \* 2/2014 Nieto ..... D8/74  
D730,708 S \* 6/2015 Spector ..... D8/73  
D762,436 S \* 8/2016 Gill ..... D8/72  
9,597,780 B2 \* 3/2017 Gill ..... B25B 5/105  
D821,530 S \* 6/2018 Mueller ..... D22/108  
D844,406 S \* 4/2019 Wenning ..... D8/72  
D858,242 S \* 9/2019 Lund ..... D8/72

\* cited by examiner

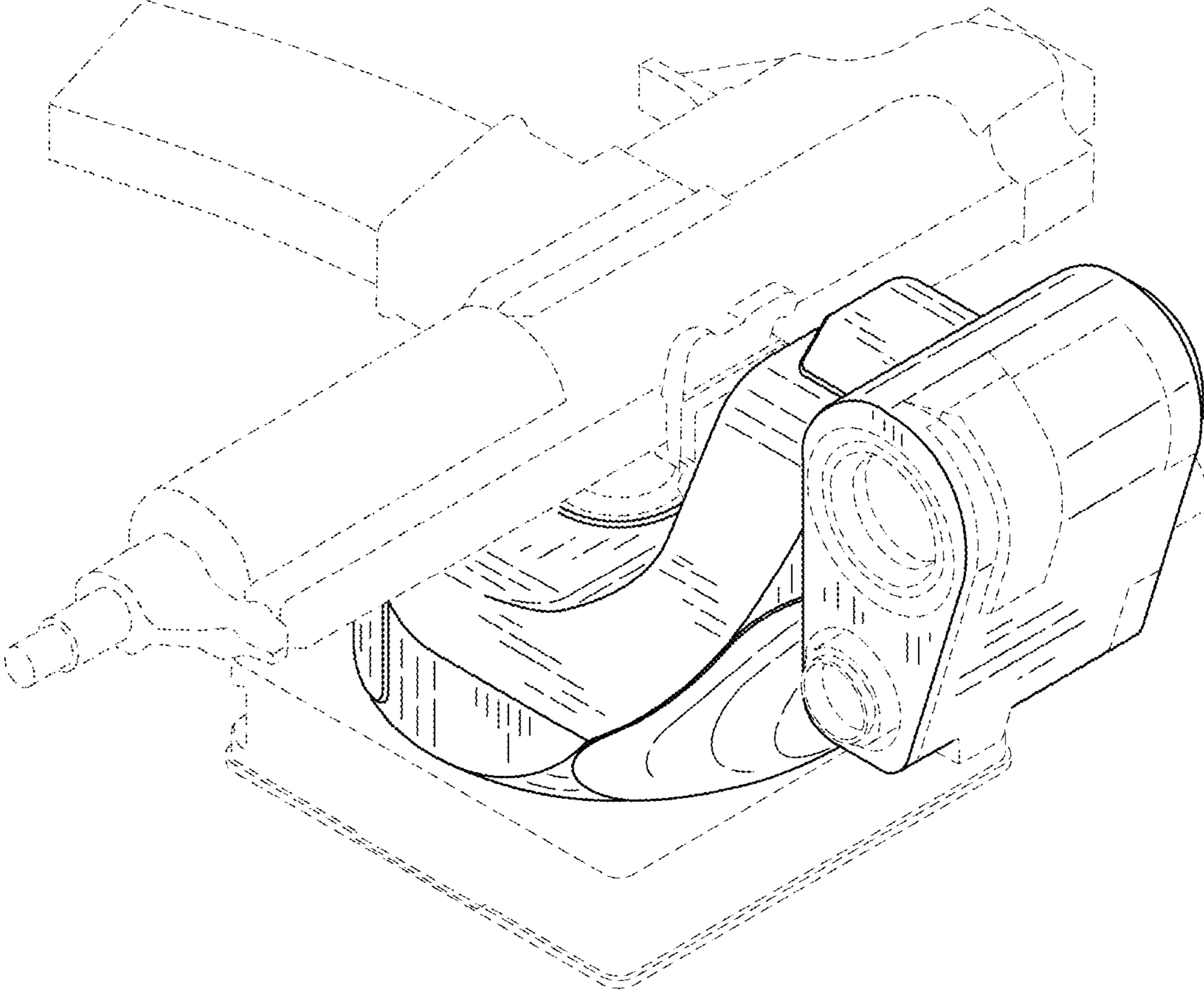


FIG.1

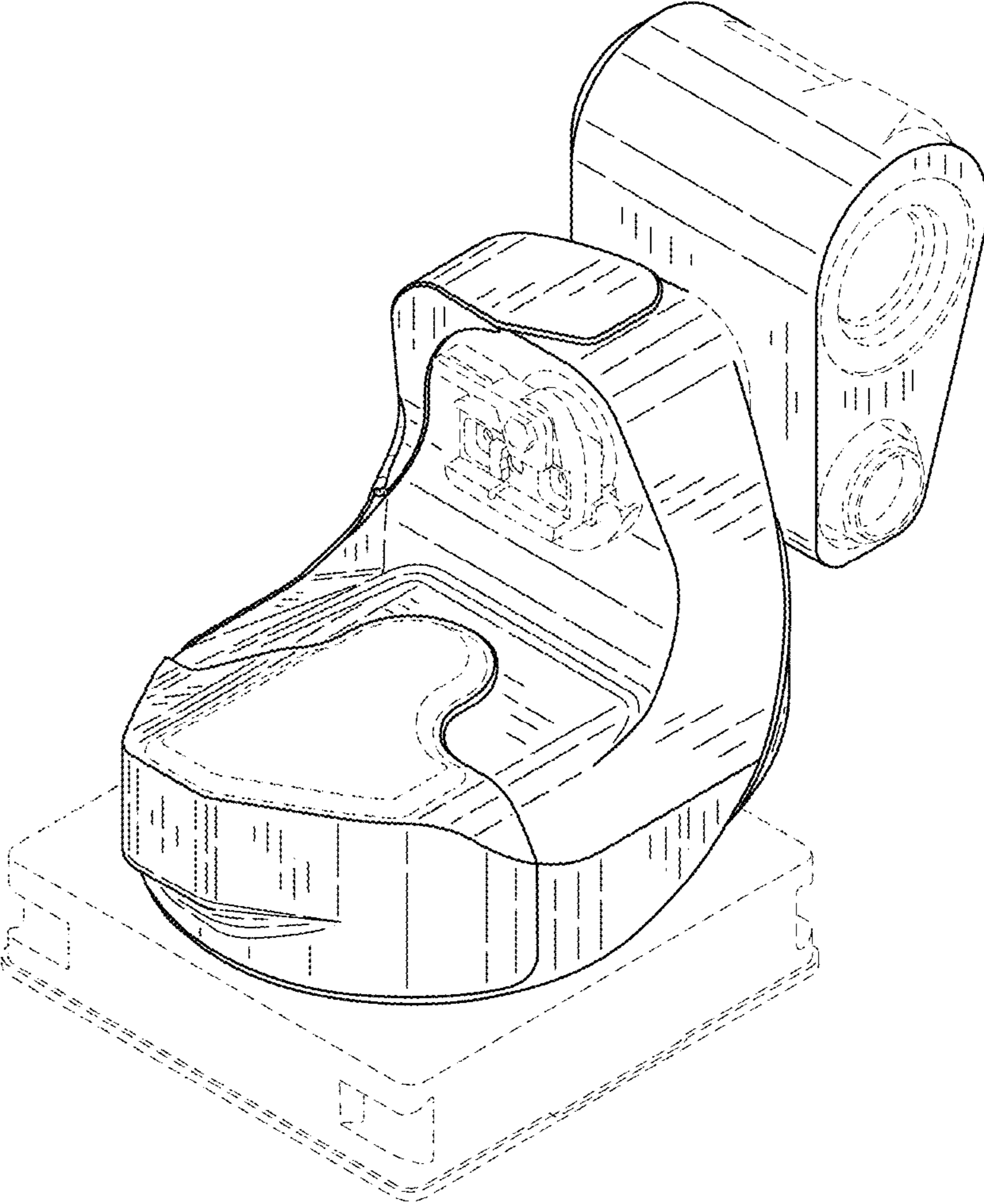


FIG.2

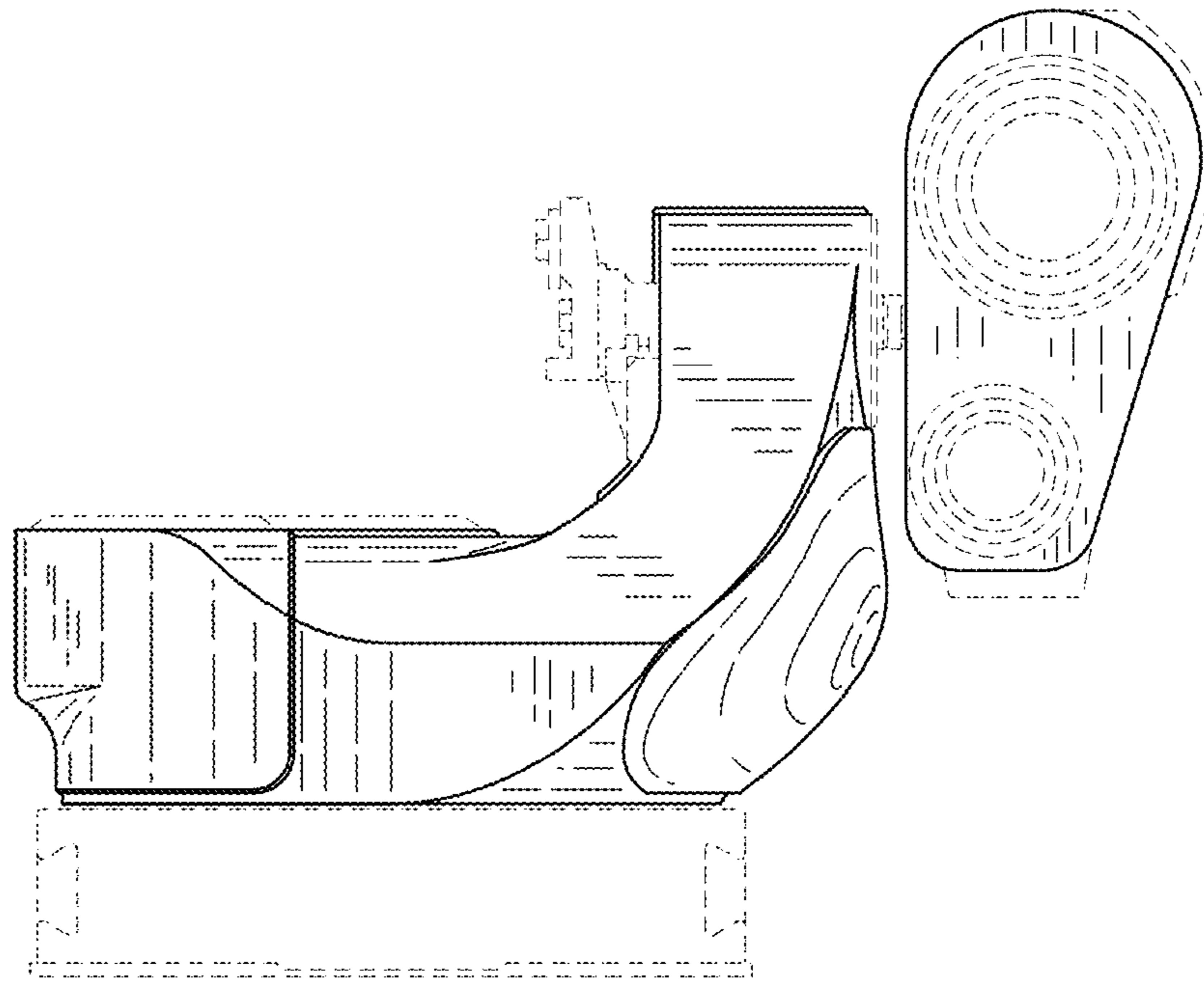


FIG.3



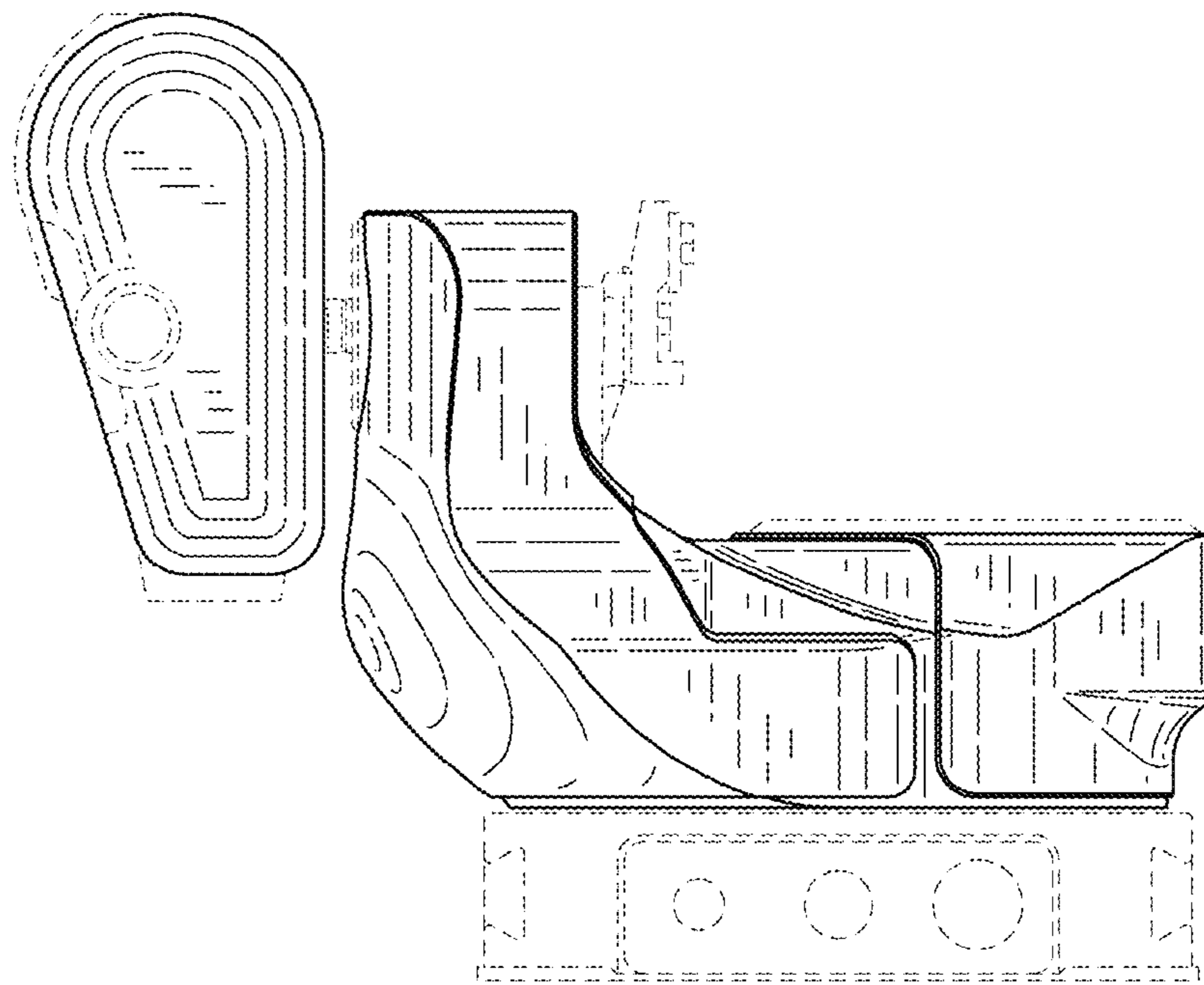


FIG.4

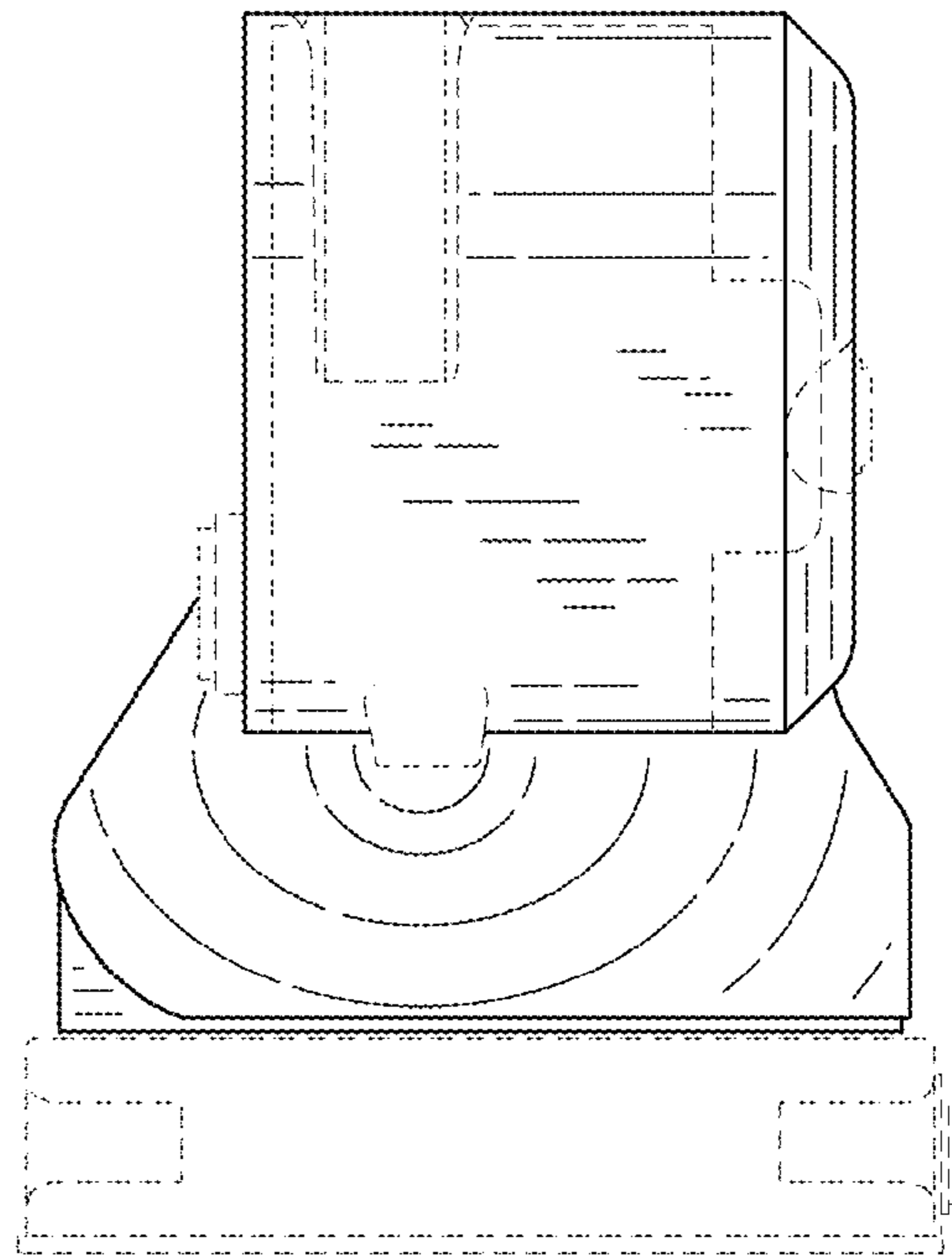


FIG.5

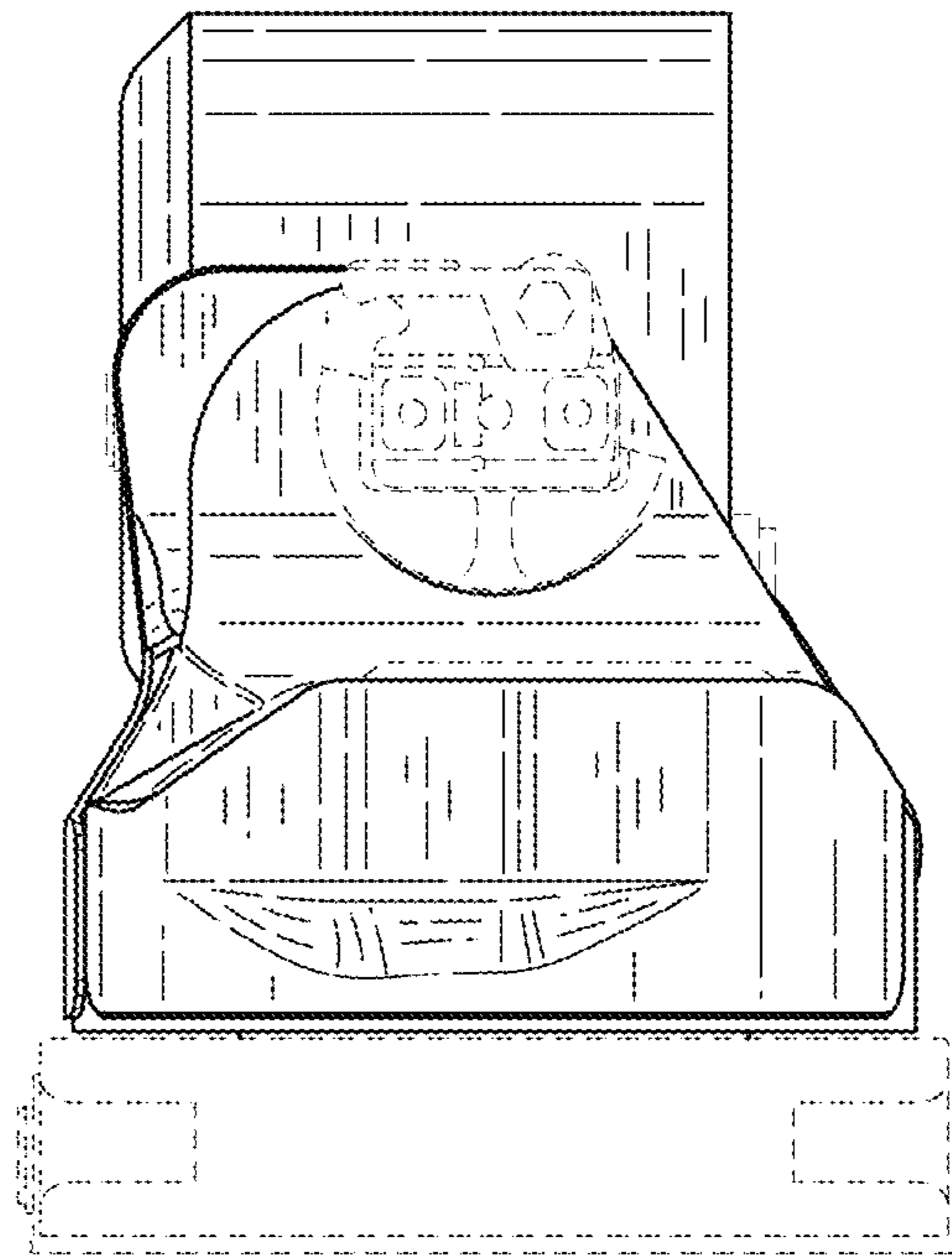


FIG.6



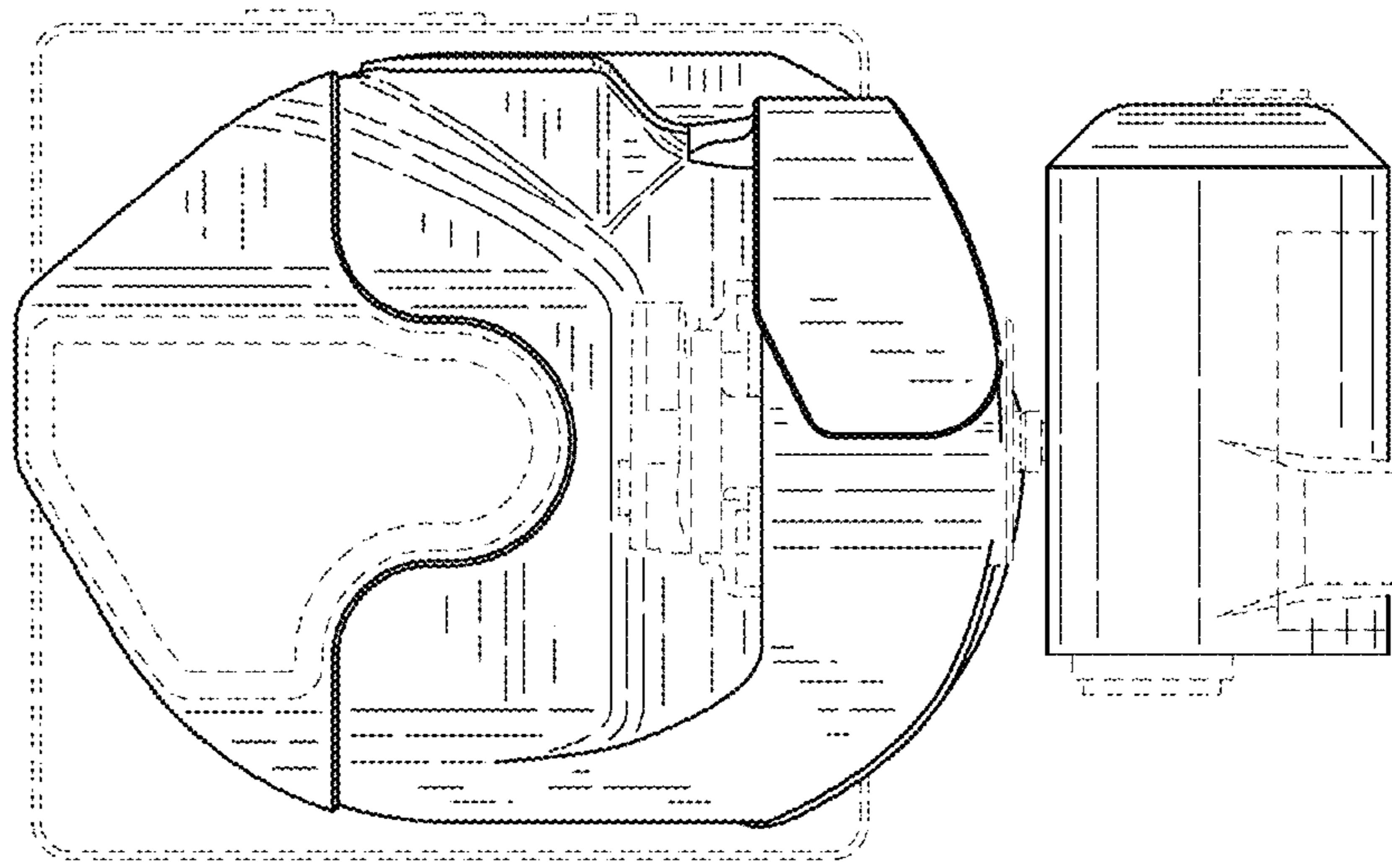


FIG.7

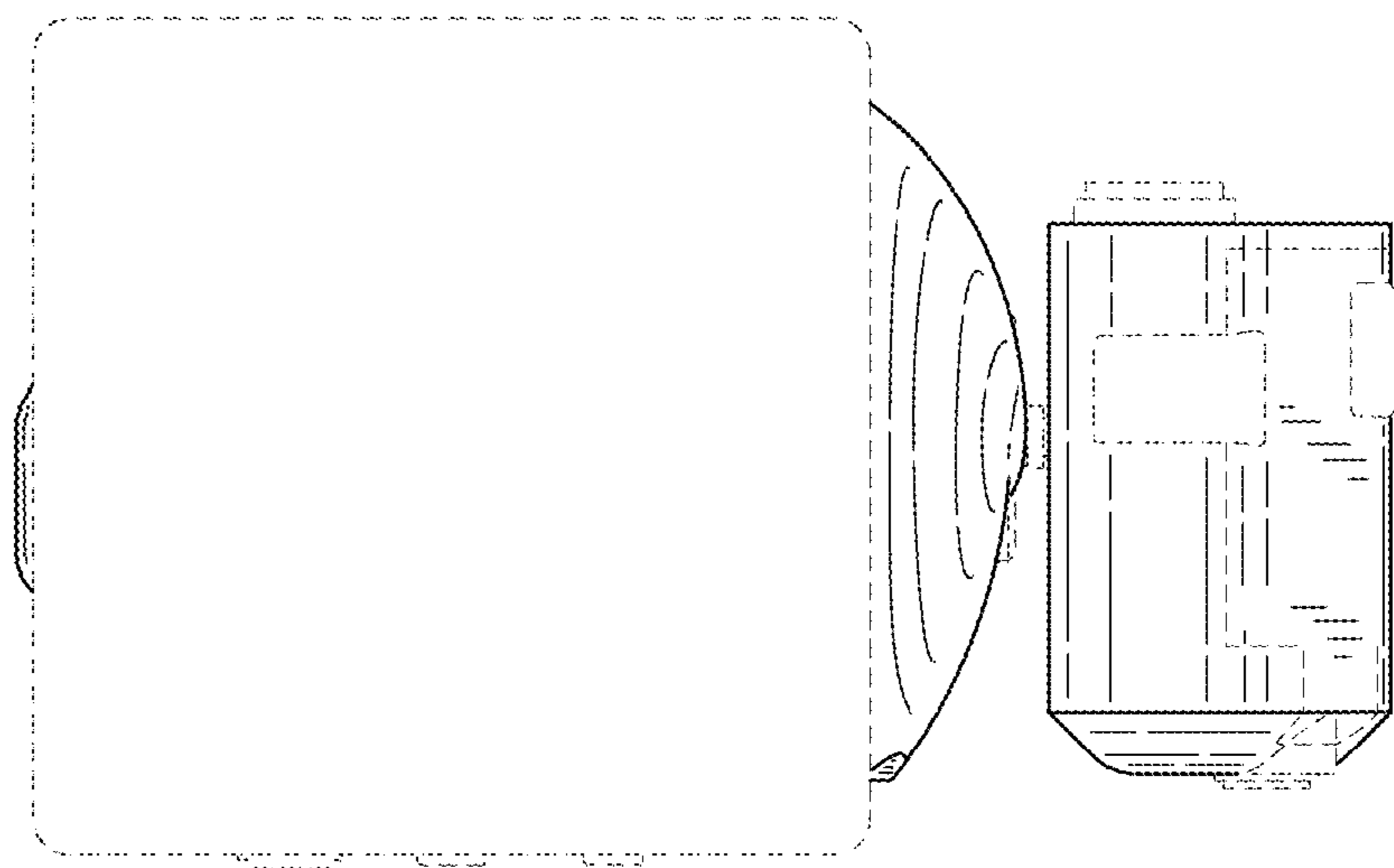


FIG.8