



US00D898858S

(12) **United States Design Patent**  
**Geissele**

(10) **Patent No.:** **US D898,858 S**

(45) **Date of Patent:** **\*\* Oct. 13, 2020**

(54) **FIREARM TAKEDOWN PIN**

(71) Applicant: **WHG Properties, LLC**, North Wales, PA (US)

(72) Inventor: **William H. Geissele**, Lower Gwynedd, PA (US)

(73) Assignee: **WHG Properties, LLC**, North Wales, PA (US)

(\*\*) Term: **15 Years**

(21) Appl. No.: **29/730,274**

(22) Filed: **Apr. 2, 2020**

**Related U.S. Application Data**

(62) Division of application No. 29/667,048, filed on Oct. 18, 2018, now Pat. No. Des. 886,934.

(51) **LOC (12) Cl.** ..... **22-01**

(52) **U.S. Cl.**  
USPC ..... **D22/108**

(58) **Field of Classification Search**  
USPC ..... D22/108  
CPC ..... F41A 11/00; F41A 21/484; F41C 7/11  
See application file for complete search history.

(56) **References Cited**

**U.S. PATENT DOCUMENTS**

5,900,577	A *	5/1999	Robinson	.....	F41A 11/02
					89/156
6,212,814	B1 *	4/2001	Lambie	.....	F41A 11/02
					42/75.03
7,523,580	B1 *	4/2009	Tankersley	.....	F41C 23/16
					42/71.01

(Continued)

Primary Examiner — Michael A. Pratt

(74) *Attorney, Agent, or Firm* — Fox Rothschild LLP

(57) **CLAIM**

The ornamental design for a firearm takedown pin, as shown and described.

**DESCRIPTION**

FIG. 1 is a top, front, right perspective view of a firearm takedown pin in accordance with the present disclosure.

FIG. 2 is a bottom, front, left perspective view of the firearm takedown pin of FIG. 1.

FIG. 3 is a front view of the firearm takedown pin of FIG. 1.

FIG. 4 is a back view of the firearm takedown pin of FIG. 1.

FIG. 5 is a left side view of the firearm takedown pin of FIG. 1.

FIG. 6 is a right side view of the firearm takedown pin of FIG. 1.

FIG. 7 is a top view of the firearm takedown pin of FIG. 1.

FIG. 8 is a bottom view of the firearm takedown pin of FIG. 1.

FIG. 9 is another top, front, right perspective view of a firearm takedown pin in accordance with the present disclosure.

FIG. 10 is a bottom, front, left perspective view of the firearm takedown pin of FIG. 9.

FIG. 11 is a front view of the firearm takedown pin of FIG. 9.

FIG. 12 is a back view of the firearm takedown pin of FIG. 9.

FIG. 13 is a left side view of the firearm takedown pin of FIG. 9.

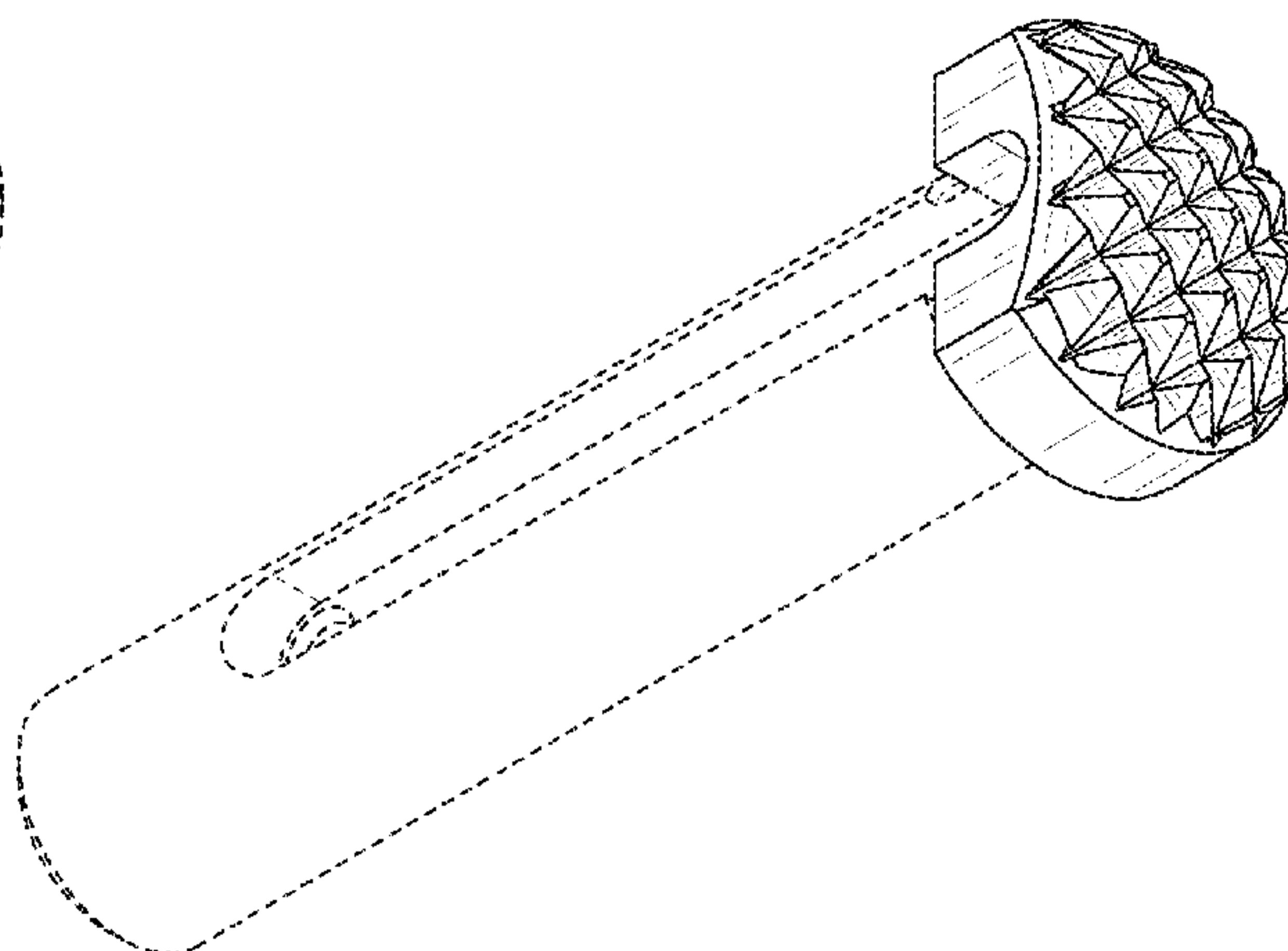
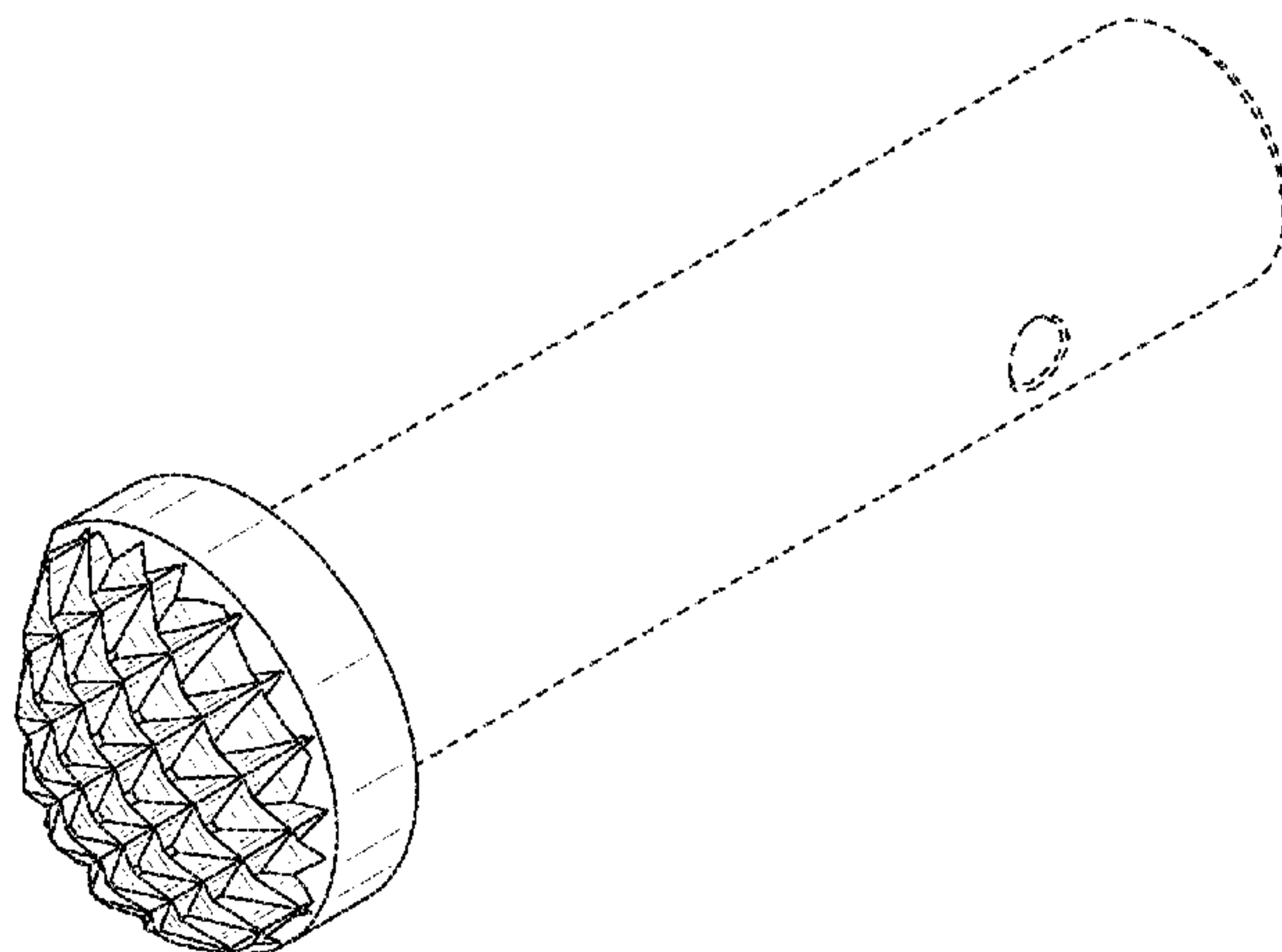
FIG. 14 is a right side view of the firearm takedown pin of FIG. 9.

FIG. 15 is a top view of the firearm takedown pin of FIG. 9; and,

FIG. 16 is a bottom view of the firearm takedown pin of FIG. 9.

The broken lines in the Figures illustrate portions of the article that form no part of the claimed design.

**1 Claim, 10 Drawing Sheets**



(56)

**References Cited**

U.S. PATENT DOCUMENTS

8,667,882 B1 \* 3/2014 Larson ..... F41A 3/66  
89/140  
8,789,305 B1 \* 7/2014 DiChario ..... F41A 3/66  
42/75.03  
D757,877 S \* 5/2016 Huang ..... D22/108  
D762,804 S \* 8/2016 Gardner ..... D22/108  
9,435,595 B2 9/2016 Azhocar  
D775,304 S \* 12/2016 Jen ..... D22/108  
D792,549 S 7/2017 McKillips  
10,254,059 B1 4/2019 Fellows et al.  
D851,198 S \* 6/2019 Geissele ..... D22/108  
D865,105 S \* 10/2019 Oglesby ..... D22/108  
D886,934 S \* 6/2020 Geissele ..... D22/108  
2015/0290775 A1 \* 10/2015 Bennett ..... B25B 1/2463  
269/287  
2015/0308768 A1 10/2015 Mills et al.  
2018/0245866 A1 8/2018 Geissele et al.

\* cited by examiner

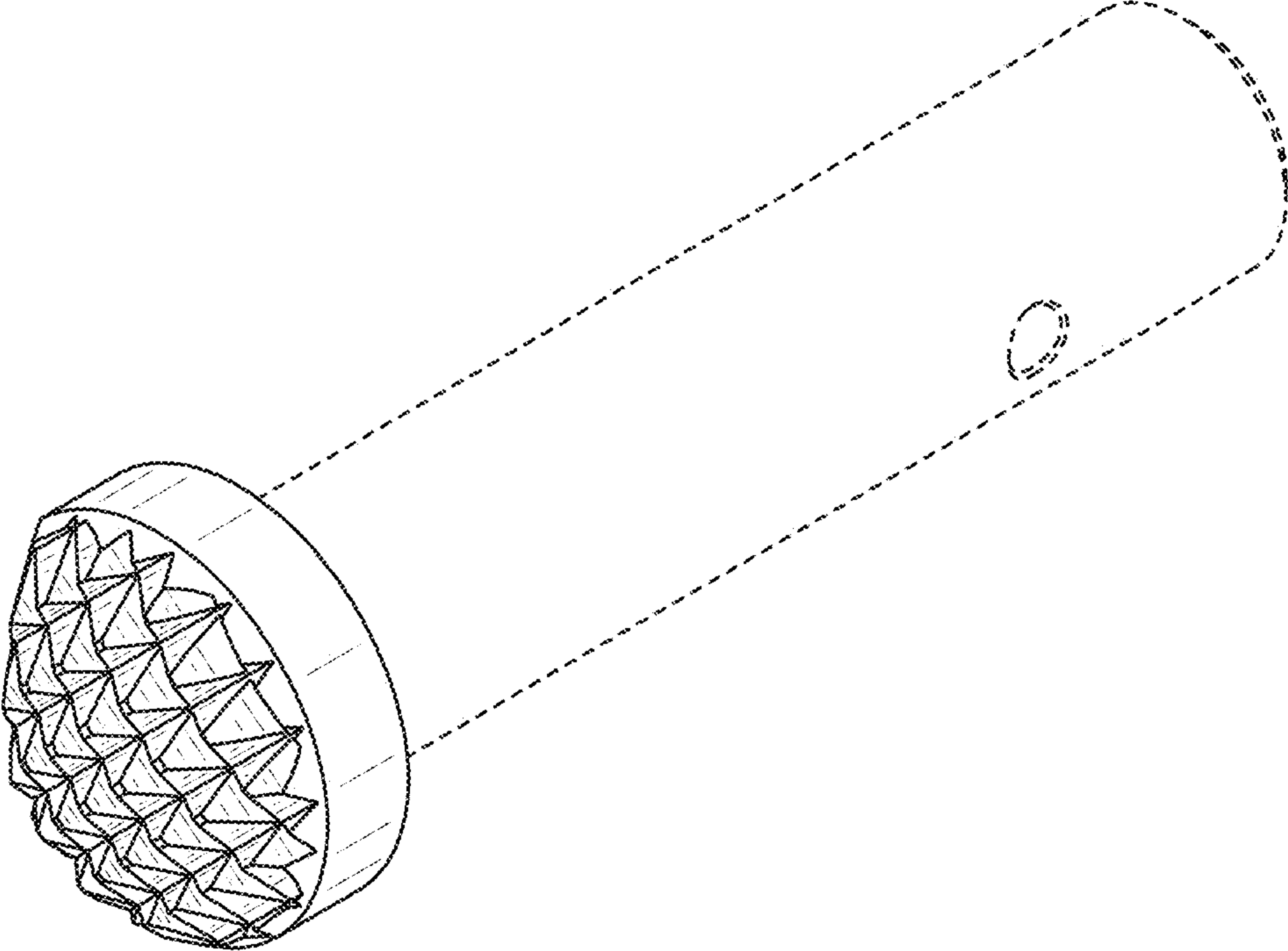


FIG. 1

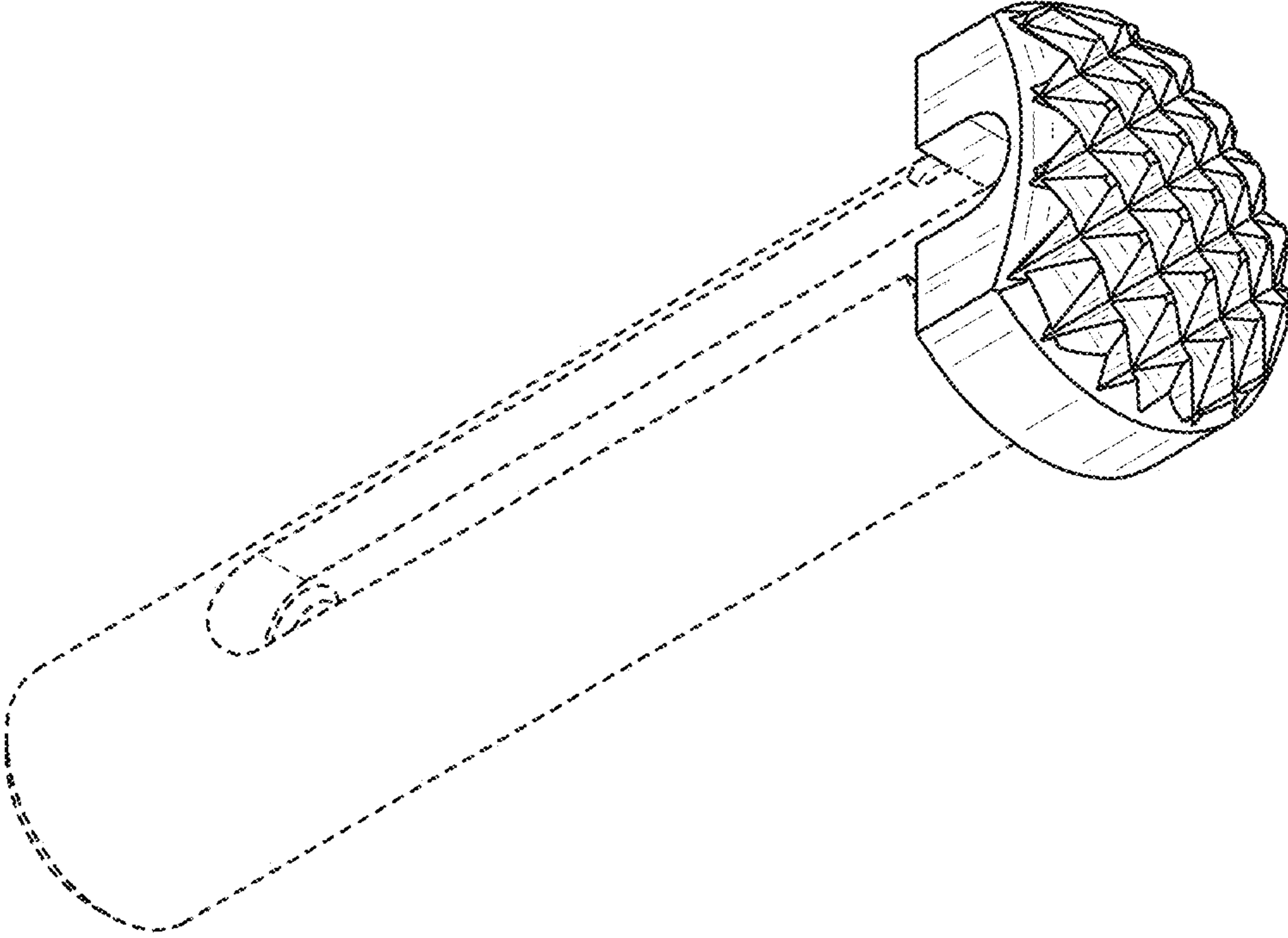


FIG. 2

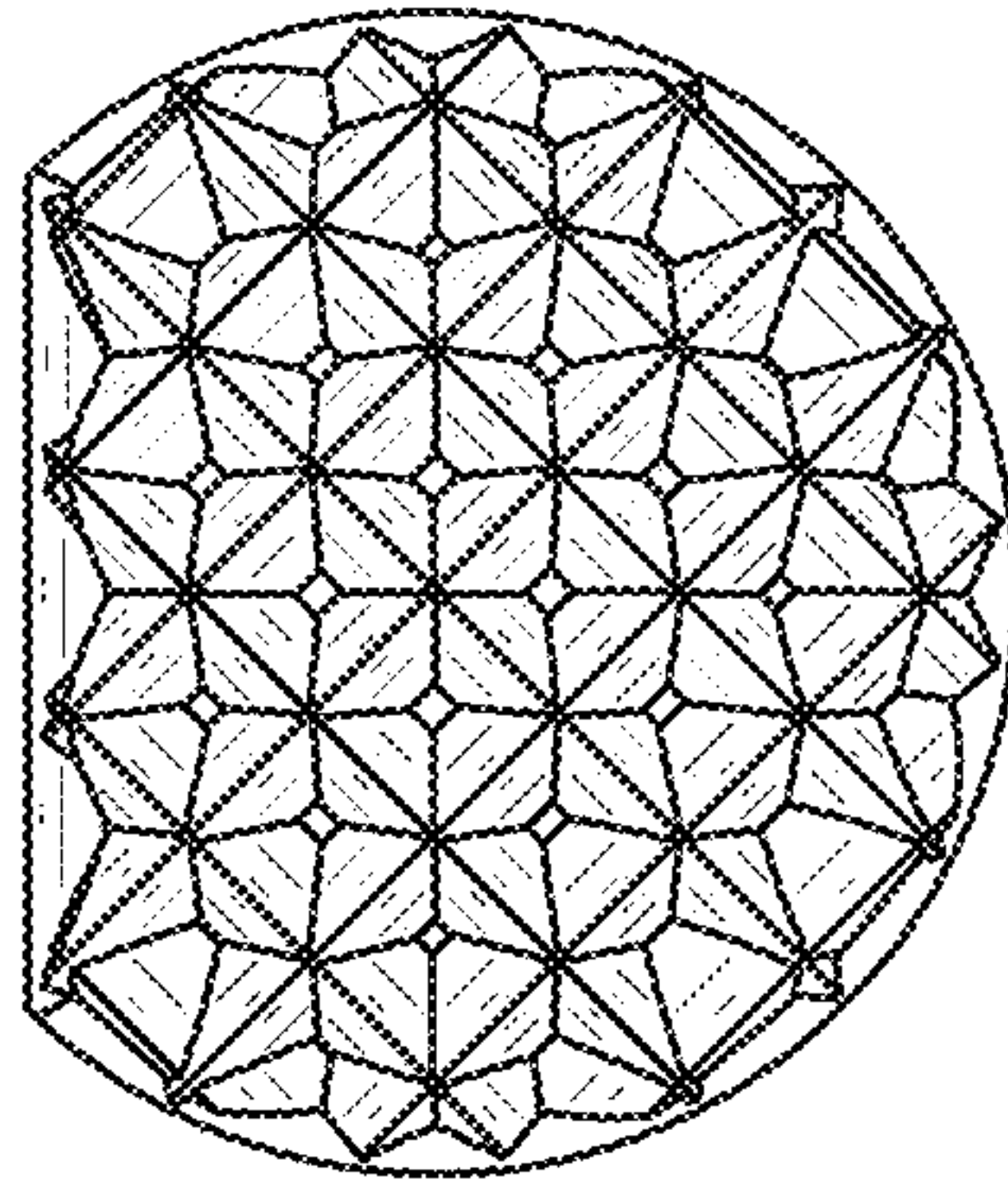


FIG. 3

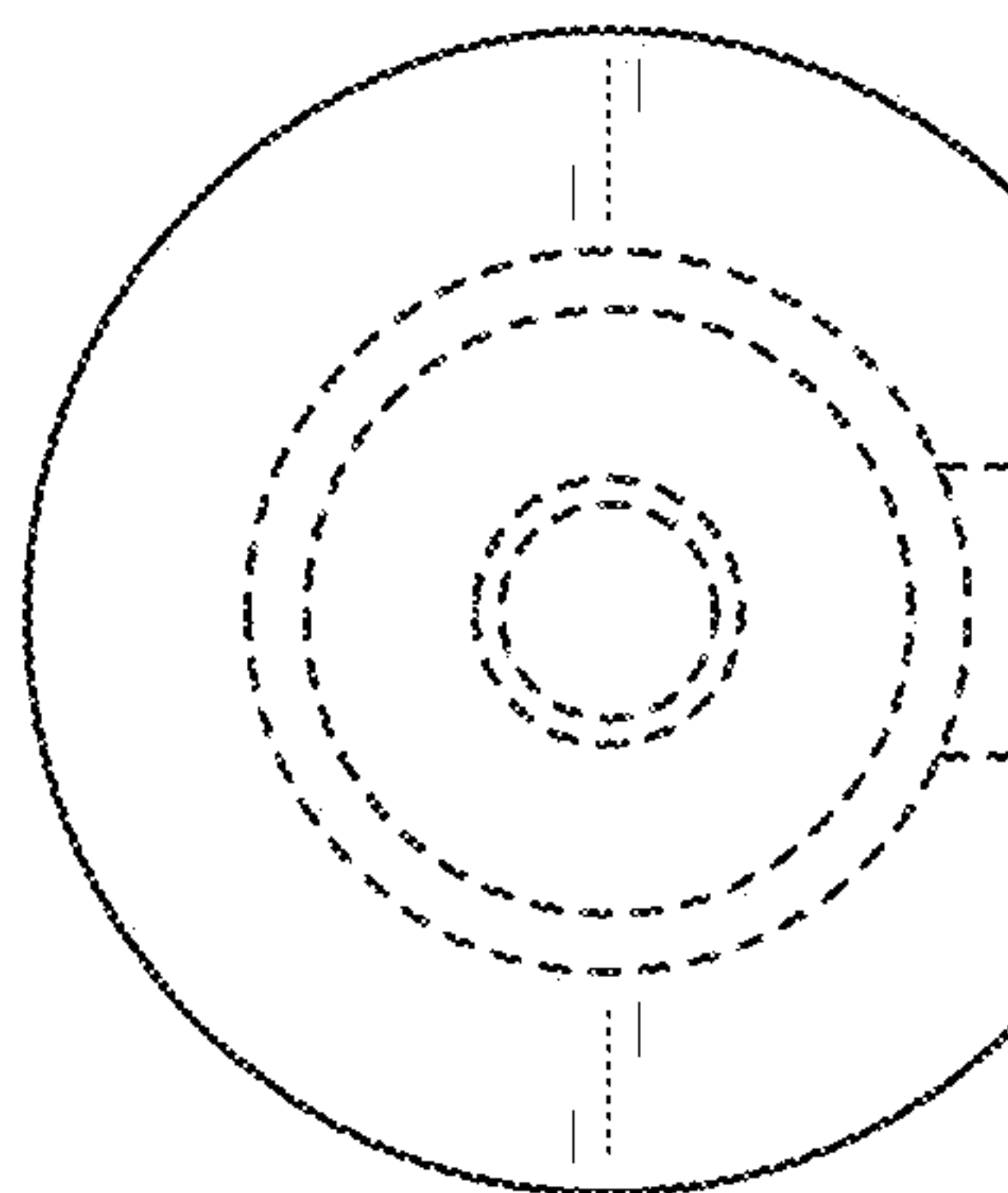


FIG. 4



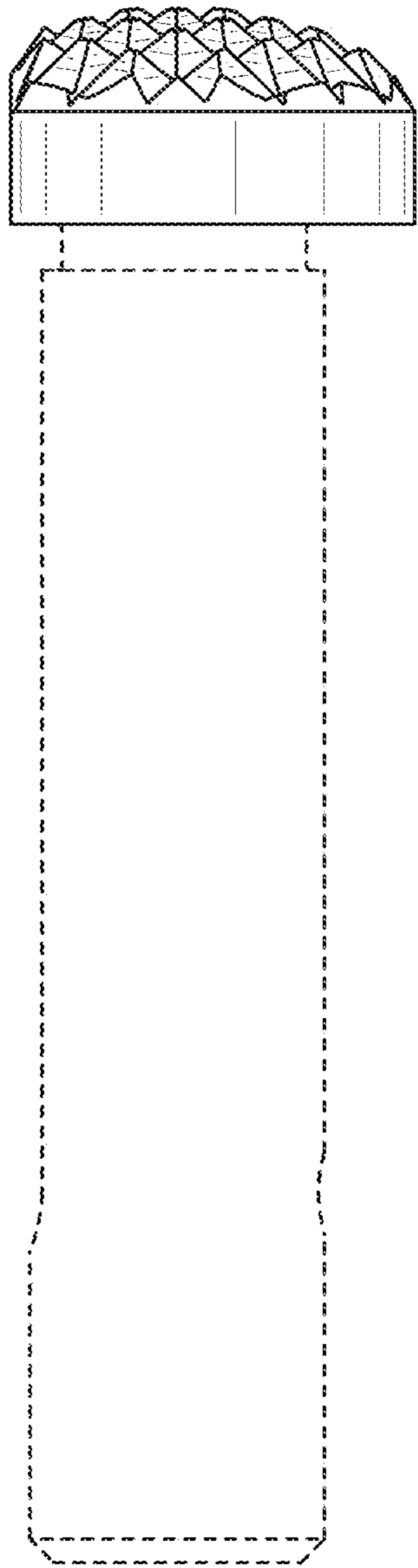


FIG. 5

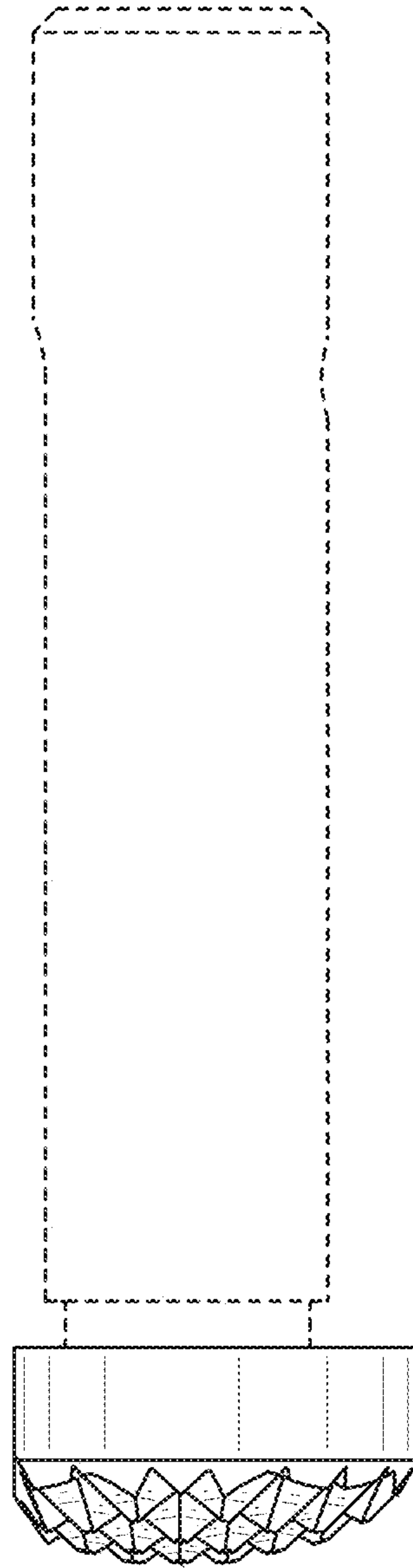


FIG. 6

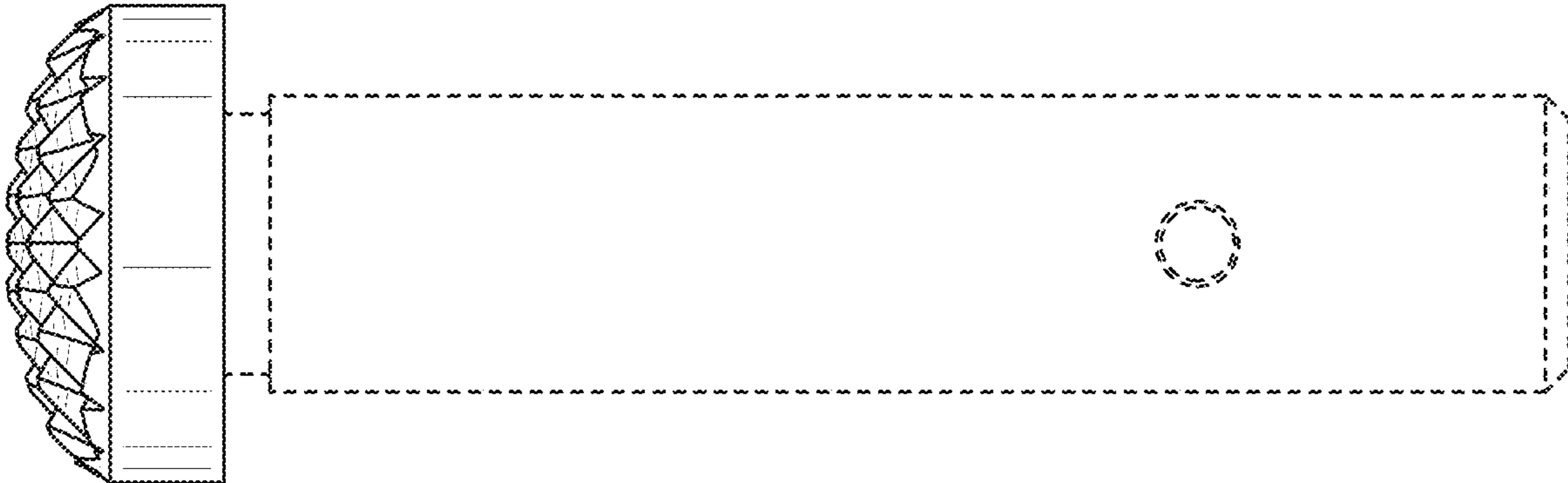


FIG. 7

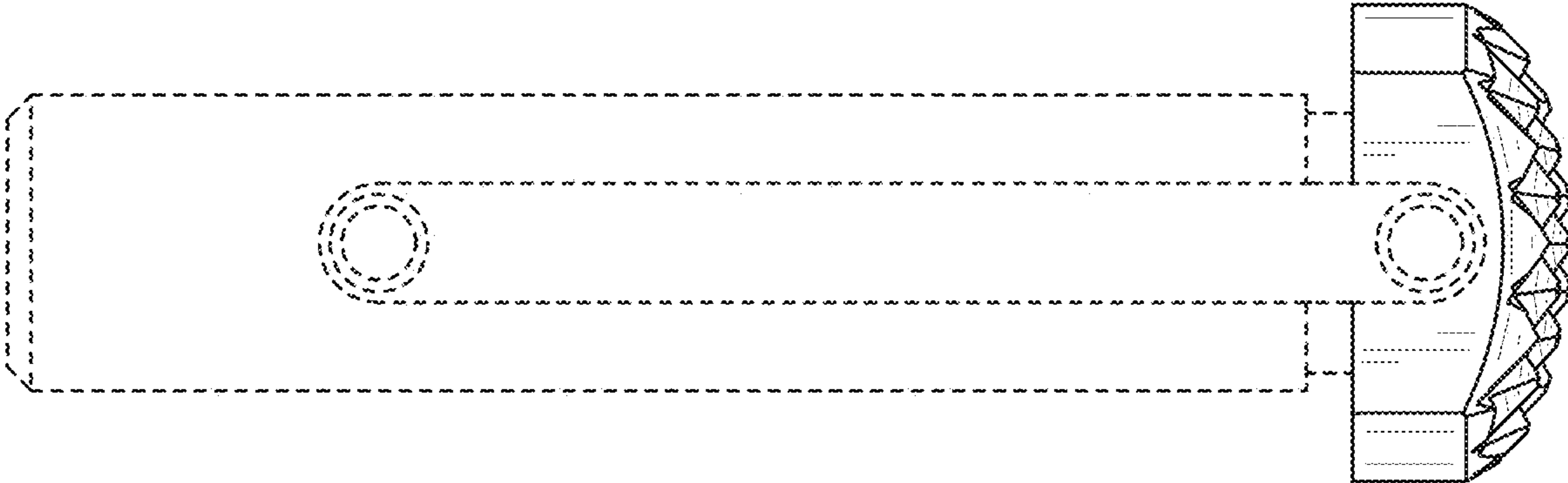


FIG. 8

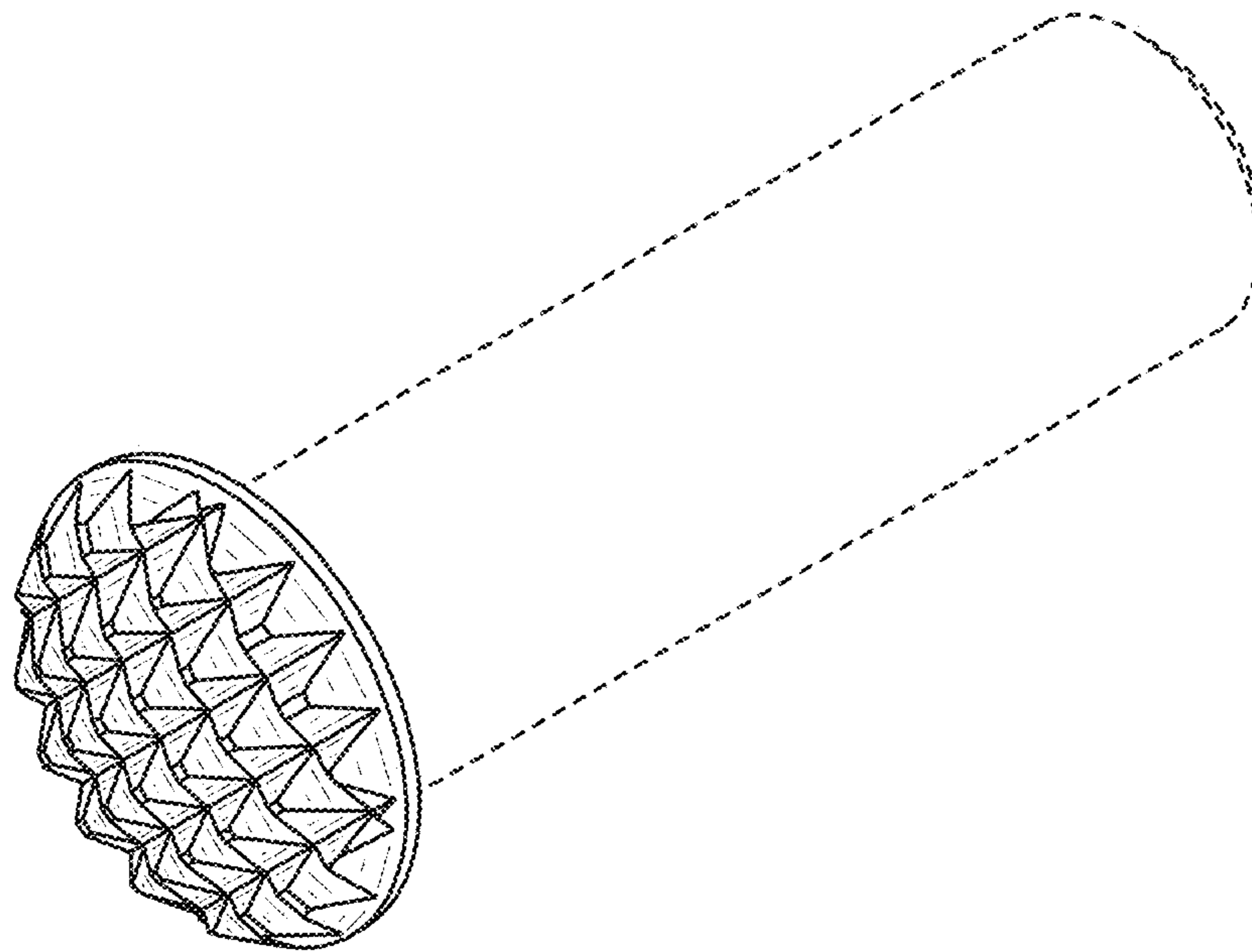


FIG. 9



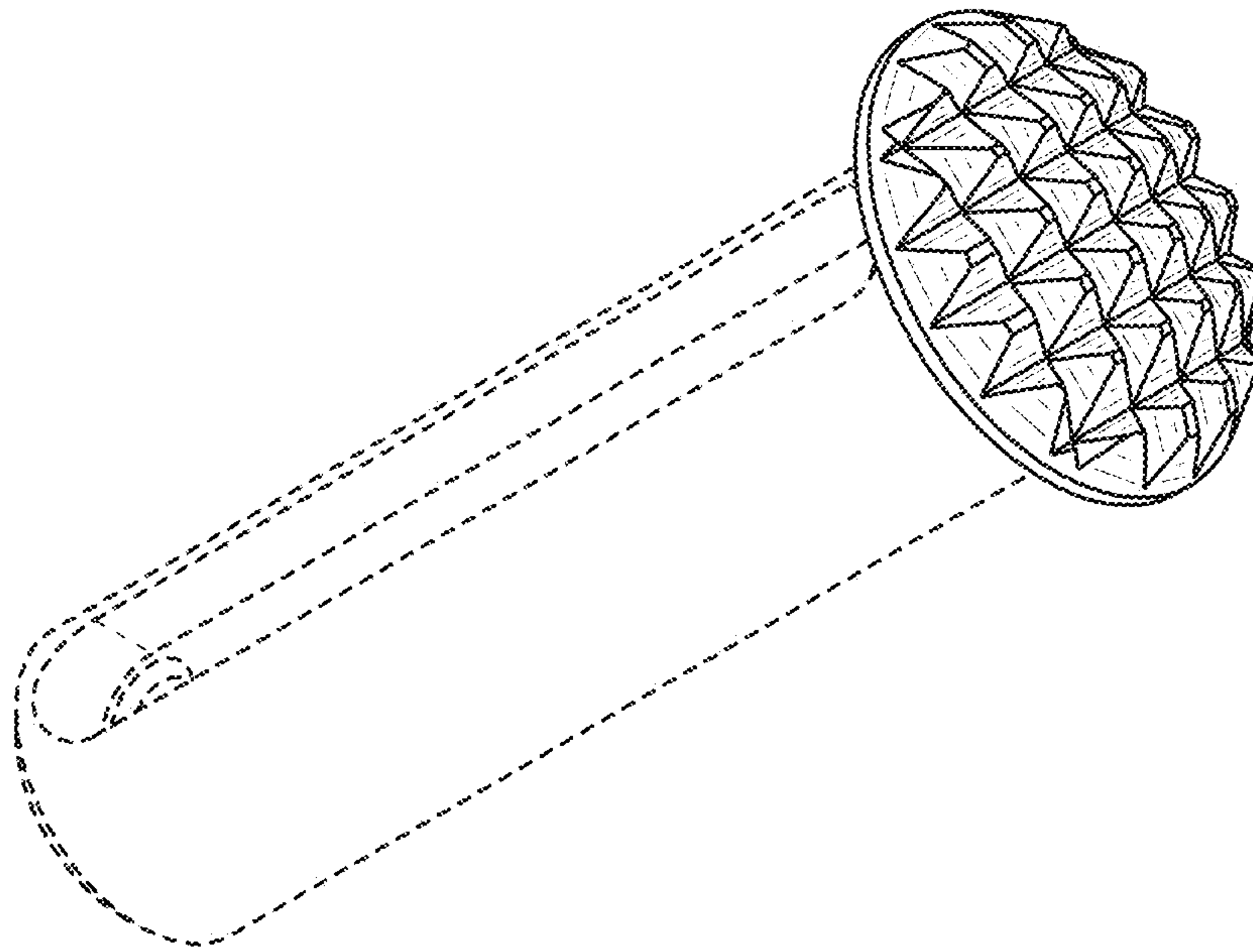


FIG. 10

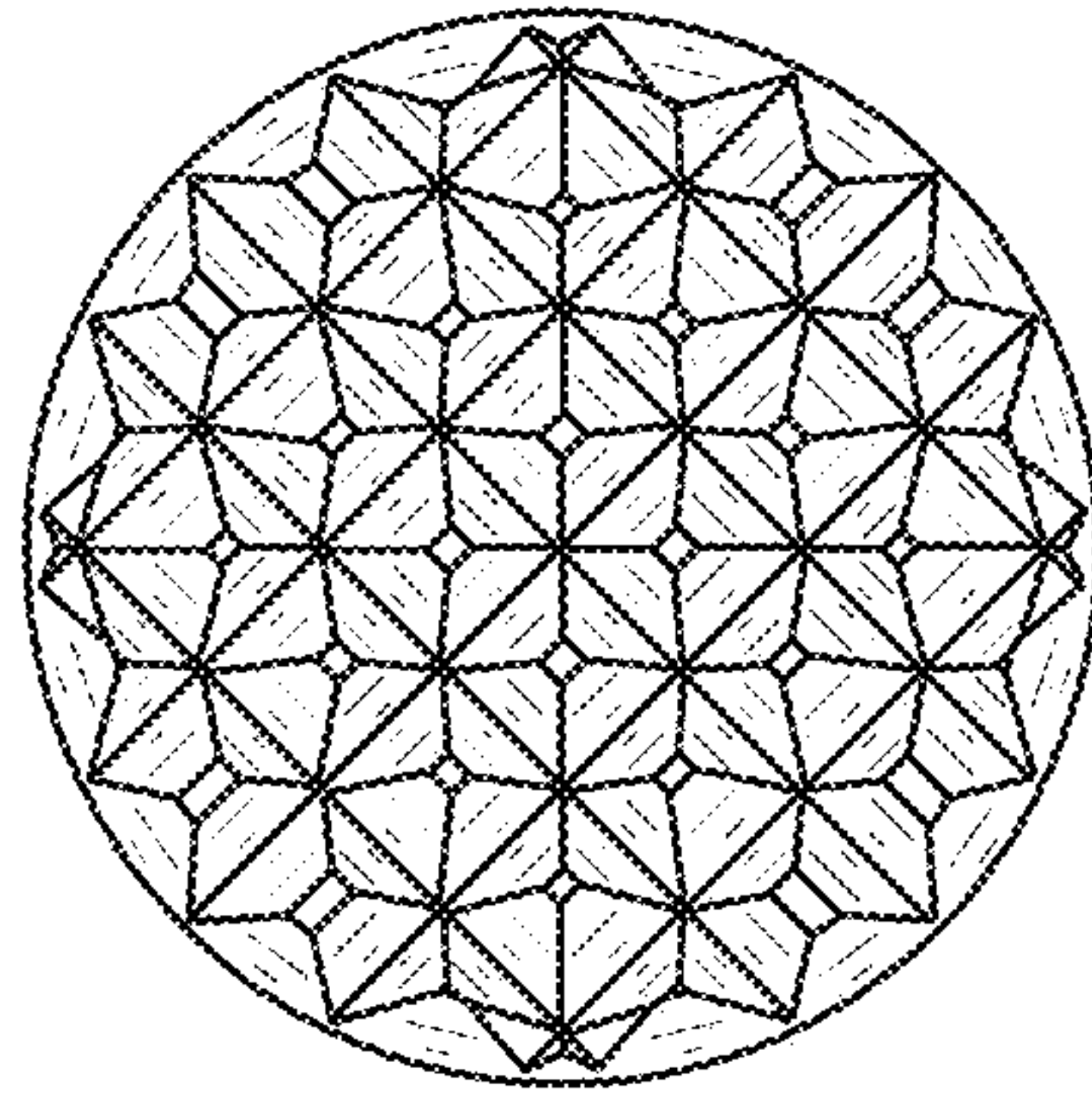


FIG. 11

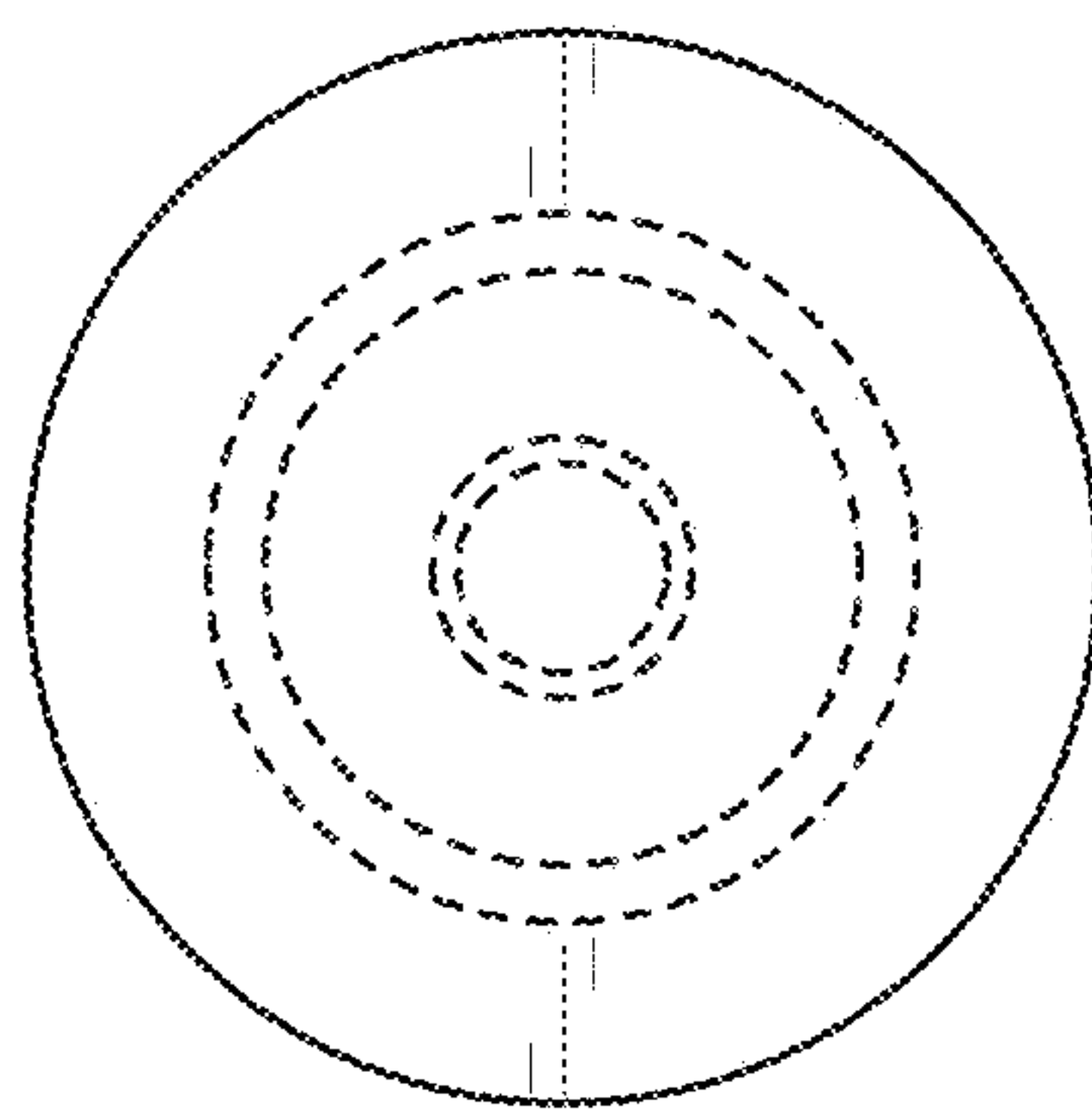


FIG. 12

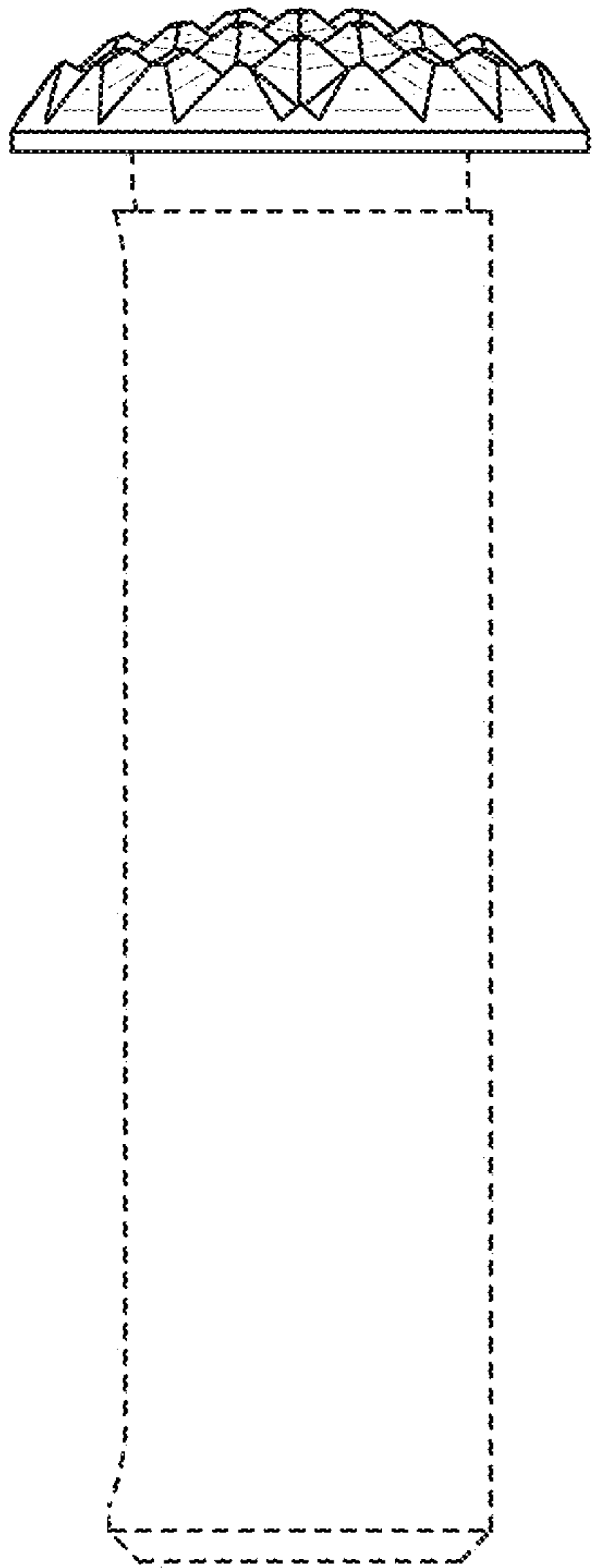


FIG. 13

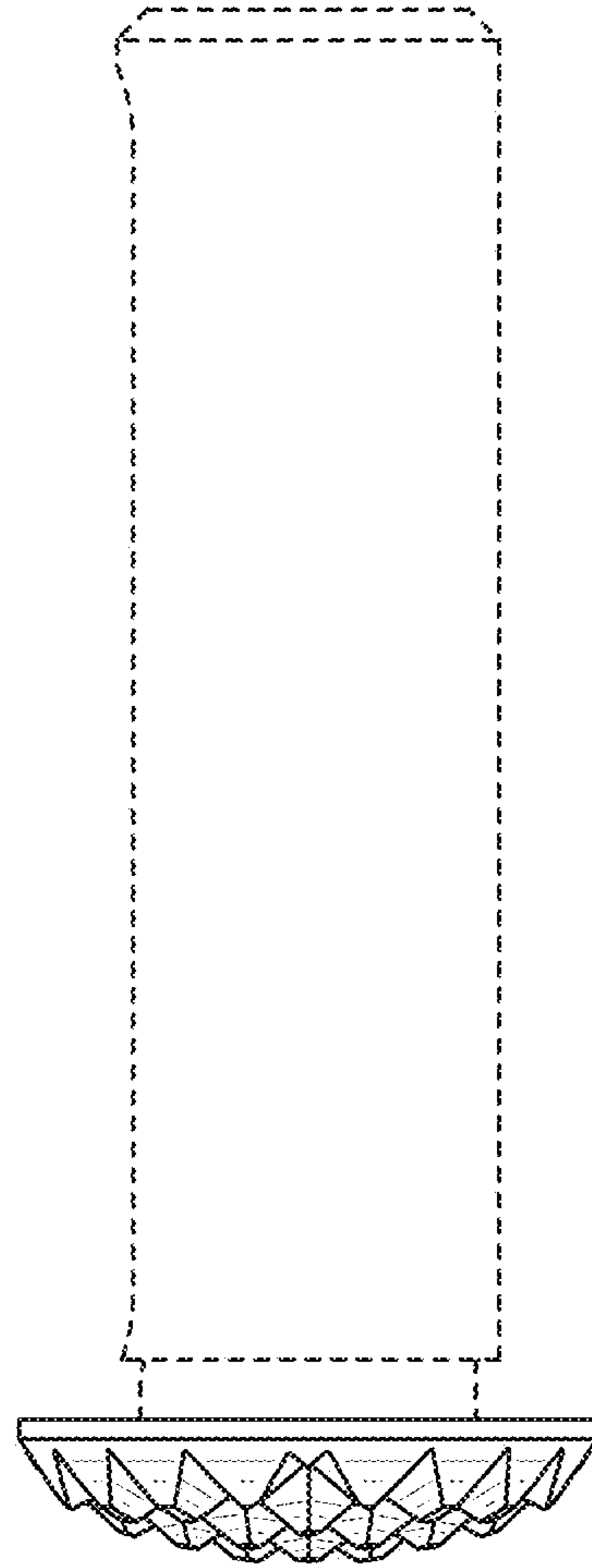


FIG. 14

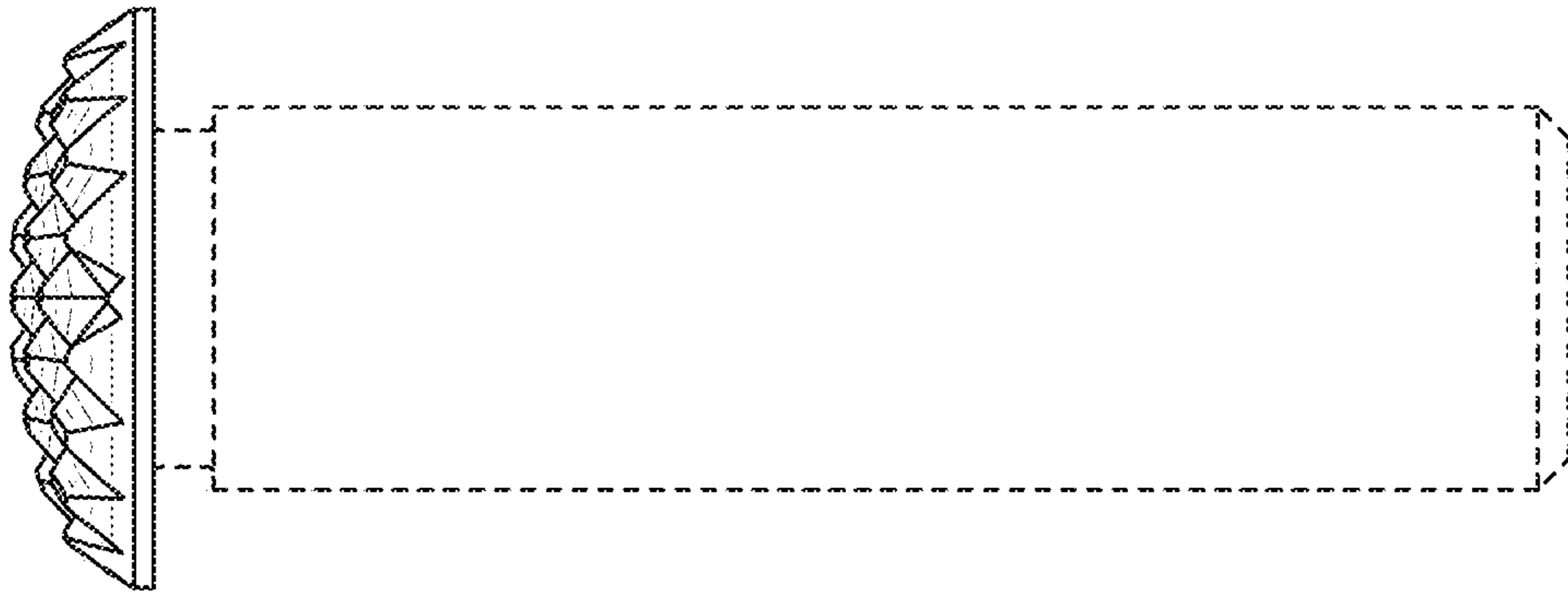


FIG. 15

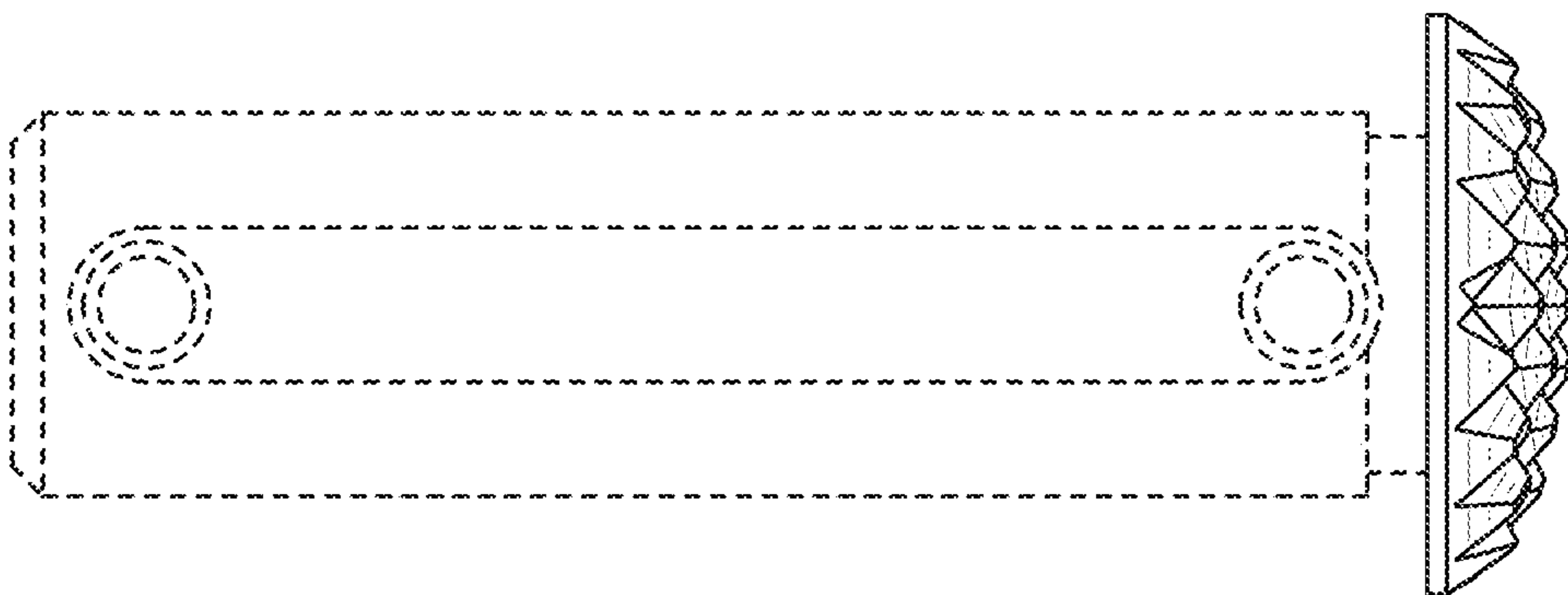


FIG. 16