



US00D898855S

(12) **United States Design Patent** (10) **Patent No.:** **US D898,855 S**
Chin (45) **Date of Patent:** **** Oct. 13, 2020**

(54) **HANDGUARD FOR FIREARMS**

(71) Applicant: **David Chin**, Irvine, CA (US)

(72) Inventor: **David Chin**, Irvine, CA (US)

(**) Term: **15 Years**

(21) Appl. No.: **29/679,349**

(22) Filed: **Feb. 5, 2019**

(51) **LOC (12) Cl.** **22-01**

(52) **U.S. Cl.**
USPC **D22/108**

(58) **Field of Classification Search**
USPC D22/100, 103, 108, 109, 113, 115, 116,
D22/199; D21/302, 567, 573
CPC F41C 7/00; F41C 23/16; F41G 1/02; F41G
1/027; F41G 1/14; F41J 1/10; F42B 6/10;
F42B 7/00; F42B 7/02; F41A 17/38
See application file for complete search history.

(56) **References Cited**

U.S. PATENT DOCUMENTS

D703,286	S	*	4/2014	Chen	D22/108
D709,582	S	*	7/2014	Geissele	D22/108
D717,908	S	*	11/2014	Montes	D22/108
D783,760	S	*	4/2017	Pavlick	D22/108
D783,761	S	*	4/2017	Pavlick	D22/108
D785,743	S	*	5/2017	Pavlick	D22/108
9,791,239	B1	*	10/2017	Kincel	F41C 23/16
D827,759	S	*	9/2018	Jen	D22/108
D828,898	S	*	9/2018	McKillips	D22/108
D834,113	S	*	11/2018	Chu	D21/574
D842,390	S	*	3/2019	Iwasawa	D21/573
2017/0059273	A1	*	3/2017	Geissele	F41C 23/16

OTHER PUBLICATIONS

“[TriggrCon 2019] Hit the Range Running! Strike Industries Gridlok Handguards” [online]. Adam Scepaniak. [Published Jul. 30, 2019]. Retrieved from the Internet: <<https://www.thefirearmblog.com/blog/2019/07/30/triggrcon-2019-strike-industries-gridlok/>>.*

* cited by examiner

Primary Examiner — Khawaja Anwar

Assistant Examiner — Mojtaba Tehrani

(74) *Attorney, Agent, or Firm* — Che-Yang Chen; Law Office of Michael Chen

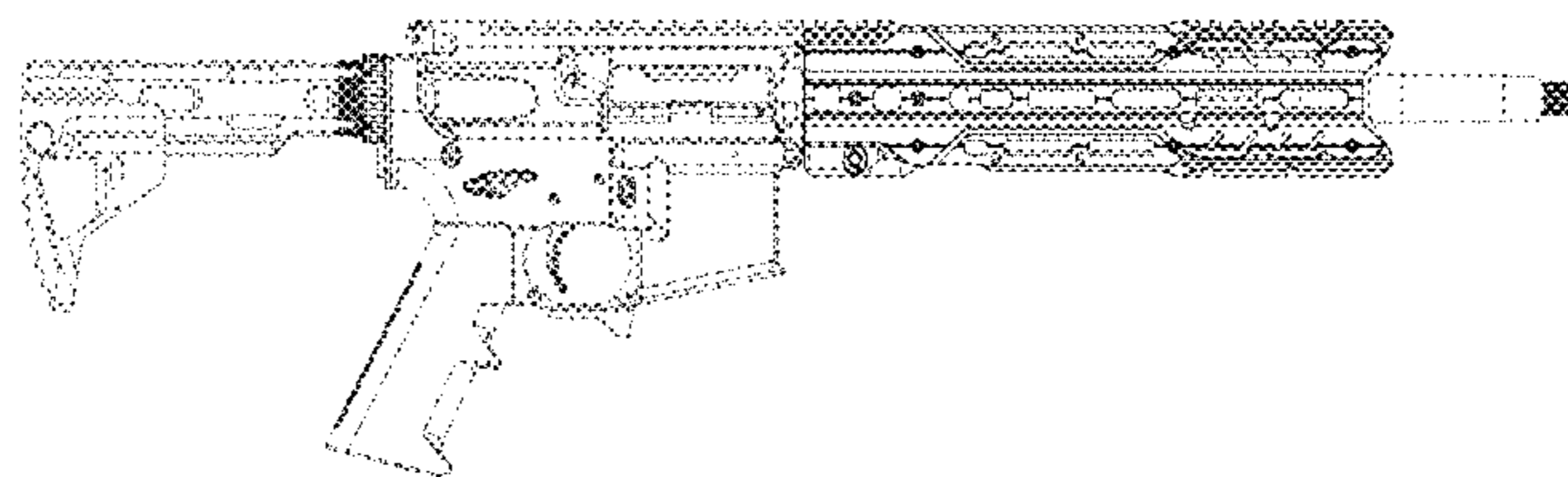
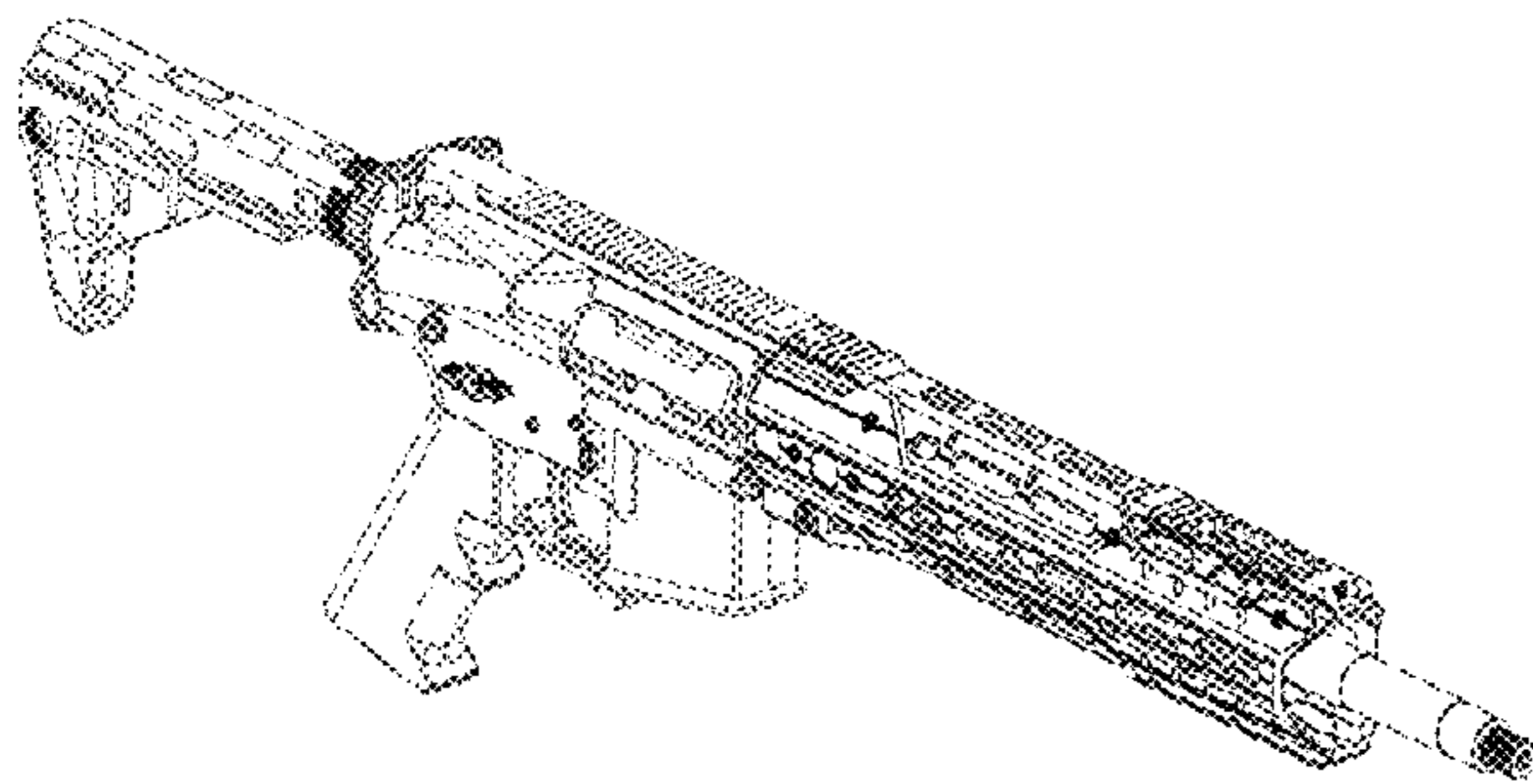
(57) **CLAIM**

The ornamental design for a handguard for firearms, as shown and described.

DESCRIPTION

FIG. 1 is a top plan view of a handguard for firearms, showing my new design;
FIG. 2 is a front view of FIG. 1;
FIG. 3 is a front right-side perspective view of FIG. 1;
FIG. 4 is a left-side view of FIG. 1;
FIG. 5 is a right-side view of FIG. 1;
FIG. 6 is a bottom view of FIG. 1; and,
FIG. 7 is a rear-left-side perspective view of FIG. 1.
The broken line in the drawings depicts unclaimed portion of the handguard and the environment only and forms no part of the claimed design.
Present design is intended to be used as a handguard for a firearm.

1 Claim, 7 Drawing Sheets



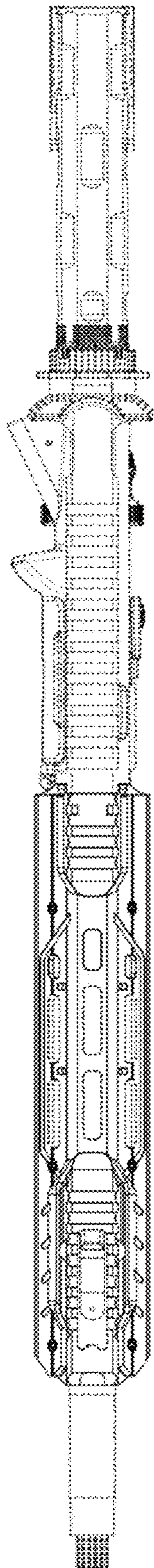


FIG. 1

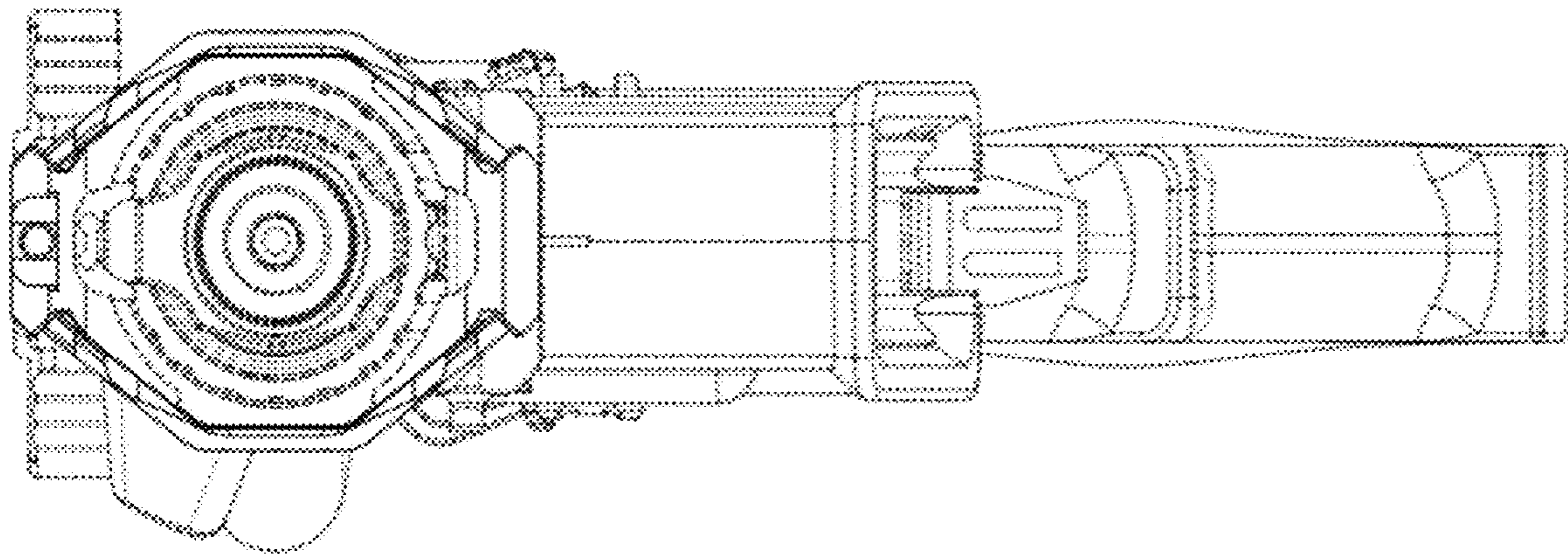


FIG. 2

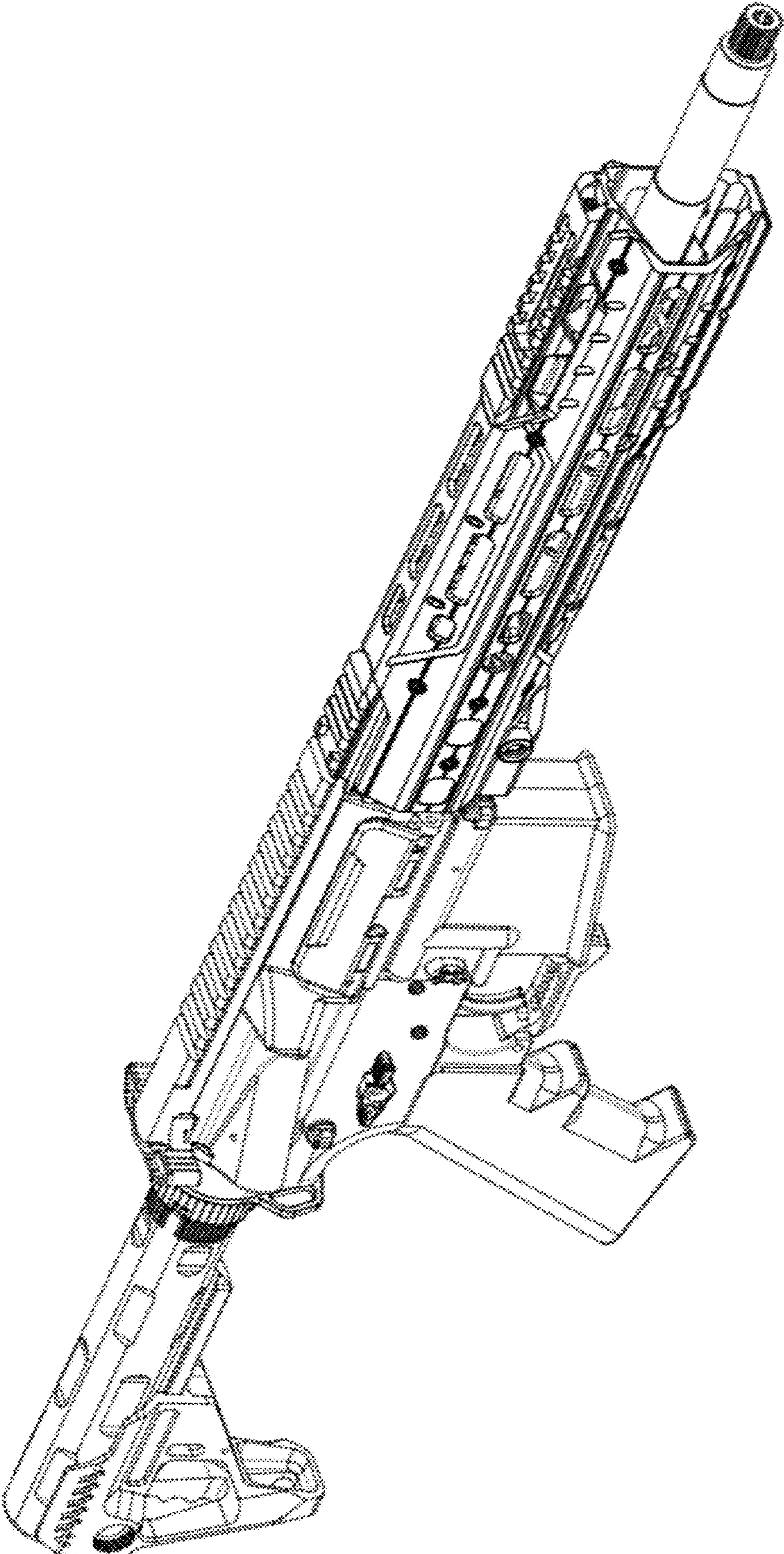


FIG. 3

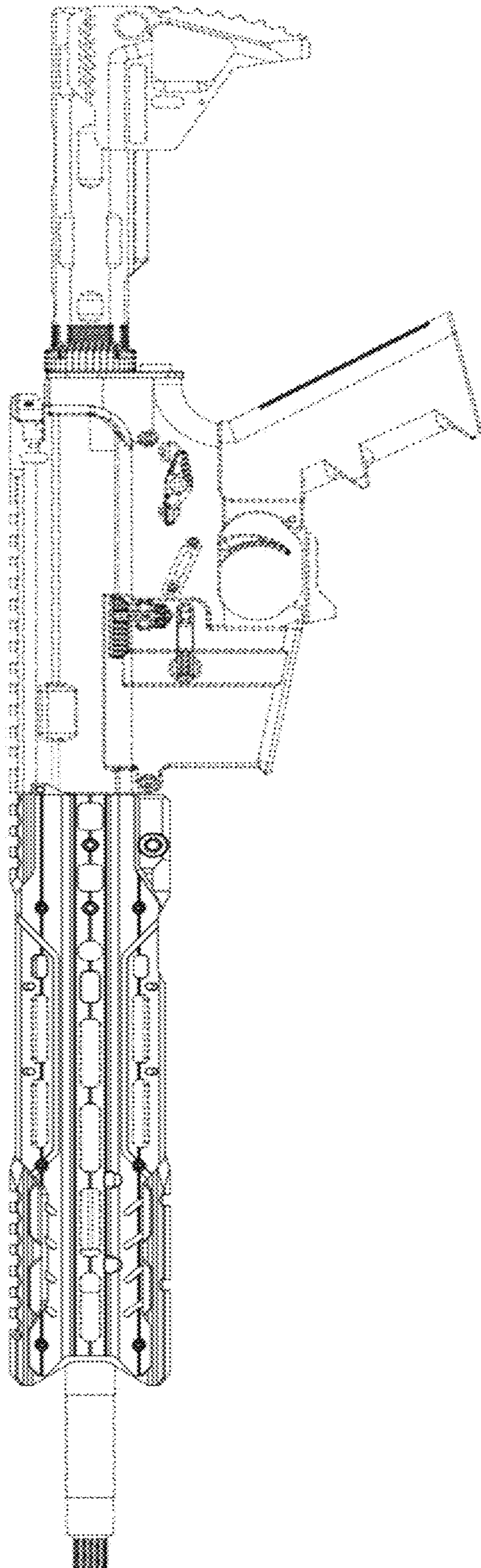


FIG. 4

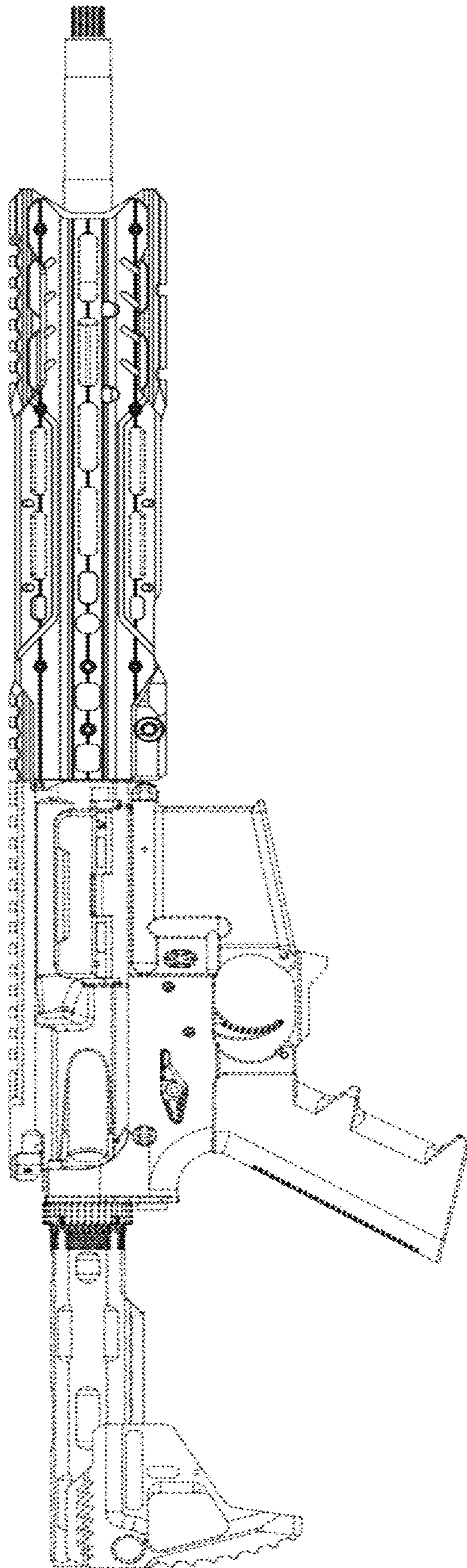


FIG. 5

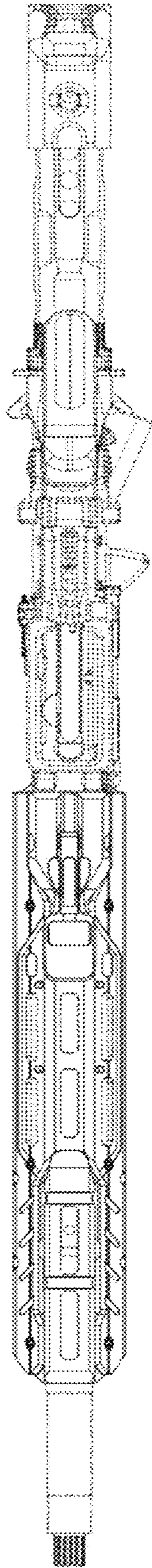


FIG. 6

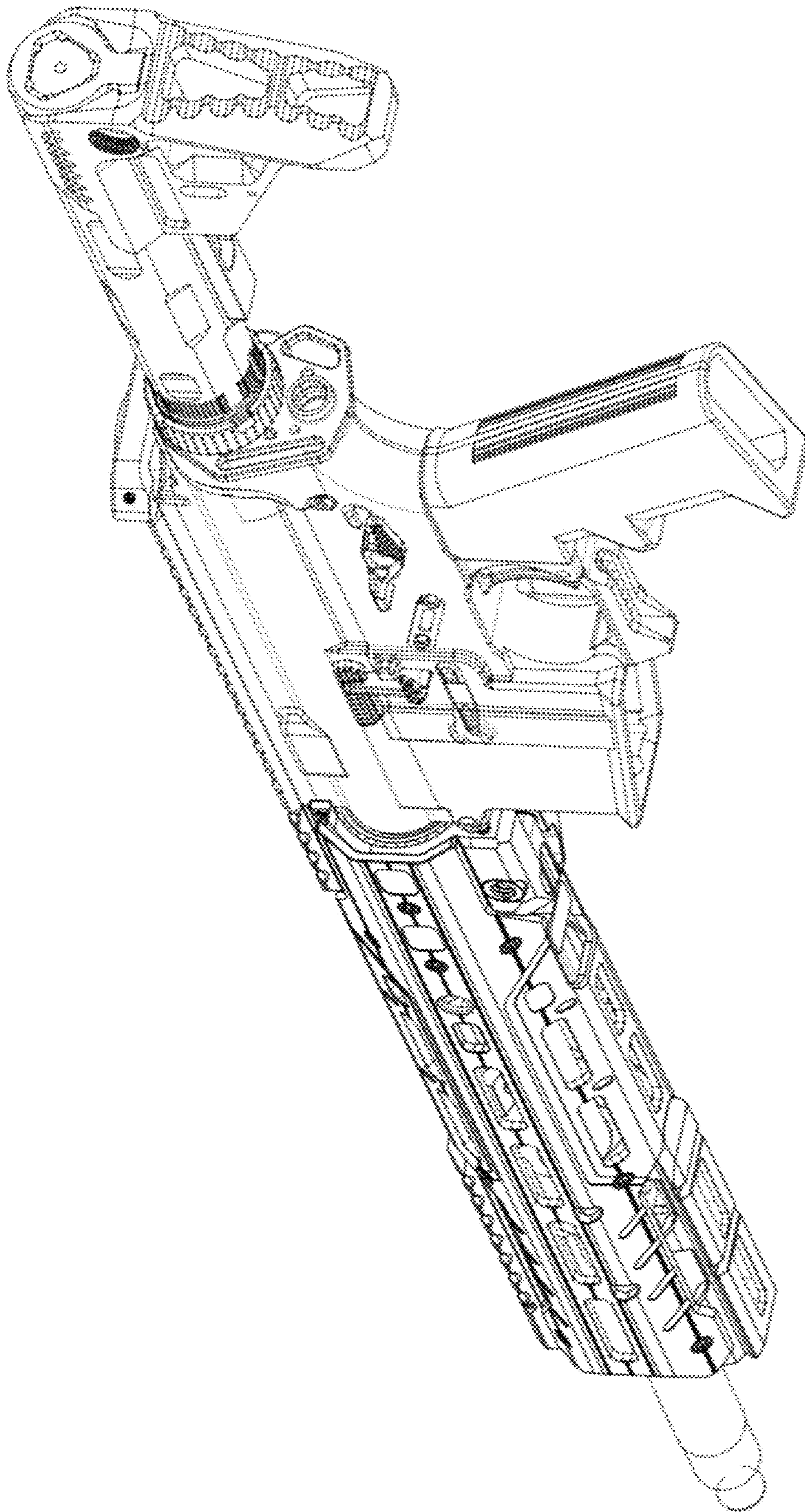


FIG. 7