

US00D898854S

(12) **United States Design Patent**
McCauley et al.

(10) **Patent No.:** **US D898,854 S**

(45) **Date of Patent:** **** Oct. 13, 2020**

(54) **HAND GUARD RAIL WITH RECESS**

(71) Applicants: **Sean McCauley**, Newburgh, IN (US);
Eric Small, Newburgh, IN (US); **Matt Tenbarge**, Newburgh, IN (US)

(72) Inventors: **Sean McCauley**, Newburgh, IN (US);
Eric Small, Newburgh, IN (US); **Matt Tenbarge**, Newburgh, IN (US)

(**) Term: **15 Years**

(21) Appl. No.: **29/678,465**

(22) Filed: **Jan. 29, 2019**

(51) **LOC (12) Cl.** **22-01**

(52) **U.S. Cl.**
USPC **D22/108**

(58) **Field of Classification Search**
USPC D22/100, 103, 108, 109, 113, 115, 116,
D22/199; D21/302, 567, 573
CPC F41C 7/00; F41C 23/16; F41G 1/02; F41G
1/027; F41G 1/14; F41J 1/10; F42B 6/10;
F42B 7/00; F42B 7/02; F41A 17/38
See application file for complete search history.

(56) **References Cited**

U.S. PATENT DOCUMENTS

D606,156 S * 12/2009 Swan D22/108
D703,286 S * 4/2014 Chen D22/108
D736,886 S * 8/2015 Cheng D22/108
9,677,845 B2 * 6/2017 Cook, Jr. F41A 21/44

D827,082 S * 8/2018 Dubois D22/108
D827,759 S * 9/2018 Jen D22/108
D828,898 S * 9/2018 McKillips D22/108
D834,113 S * 11/2018 Chu D21/574
D842,390 S * 3/2019 Iwasawa D21/573
D844,094 S * 3/2019 Geissele D22/108
D851,200 S * 6/2019 Ding D22/108
D851,201 S * 6/2019 Hiler, Jr. D22/108
2008/0092422 A1 * 4/2008 Daniel F41C 23/16
42/90

OTHER PUBLICATIONS

“Shot Show 2019: Cloud Defensive” [online]. ePIG-Group. [Published Jan. 25, 2019]. Retrieved from the Internet: <<https://www.youtube.com/watch?v=EKcc20nDXHE>>.*

* cited by examiner

Primary Examiner — Khawaja Anwar
Assistant Examiner — Mojtaba Tehrani

(57) **CLAIM**

The ornamental design for a hand guard rail with recess, as shown and described.

DESCRIPTION

FIG. 1 is a left side view of a hand guard rail with recess, showing our new design;
FIG. 2 is a to plan view thereof;
FIG. 3 is a top-left perspective view thereof;
FIG. 4 is a top-right perspective view thereof; and,
FIG. 5 is an end view thereof.

1 Claim, 5 Drawing Sheets

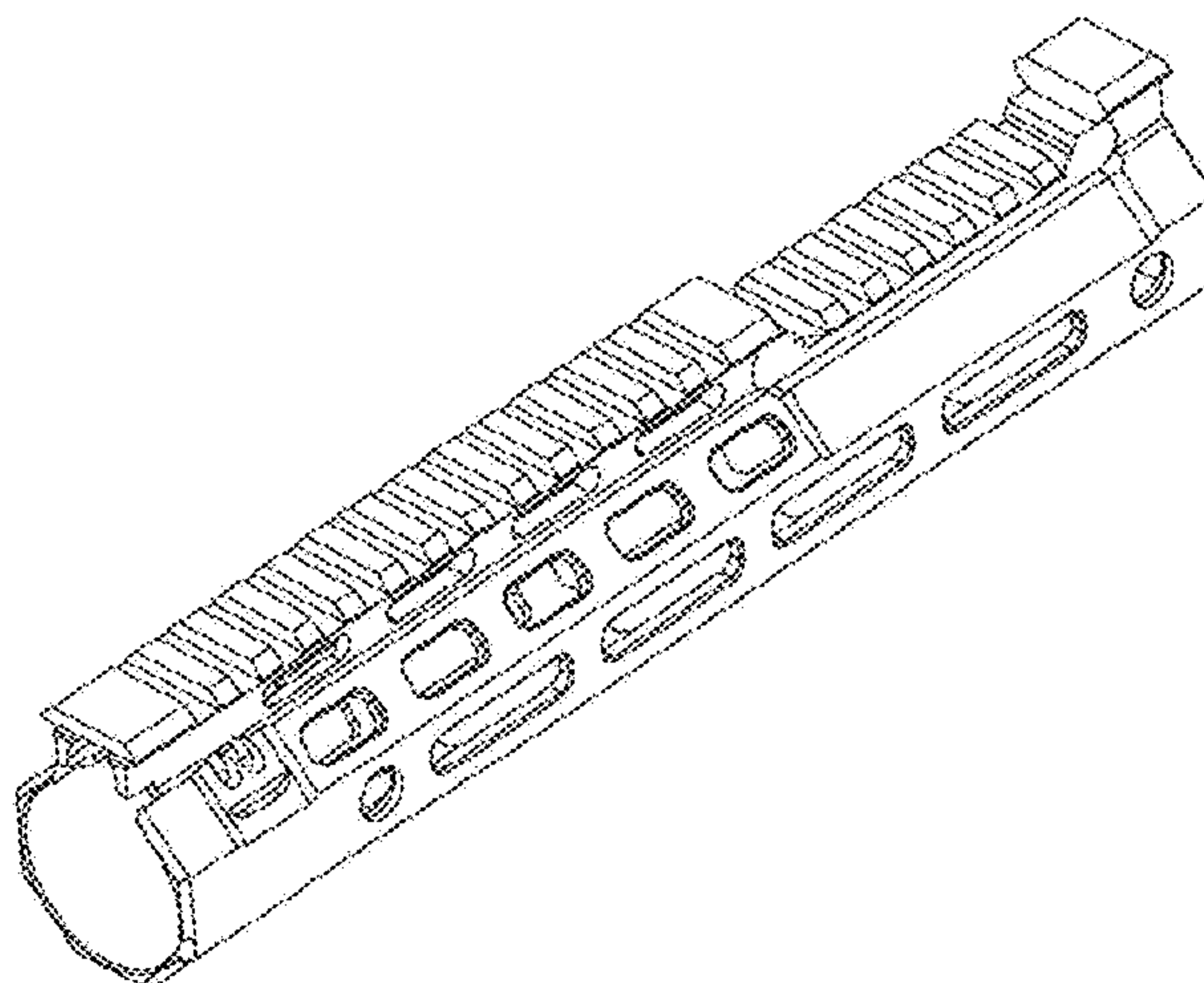
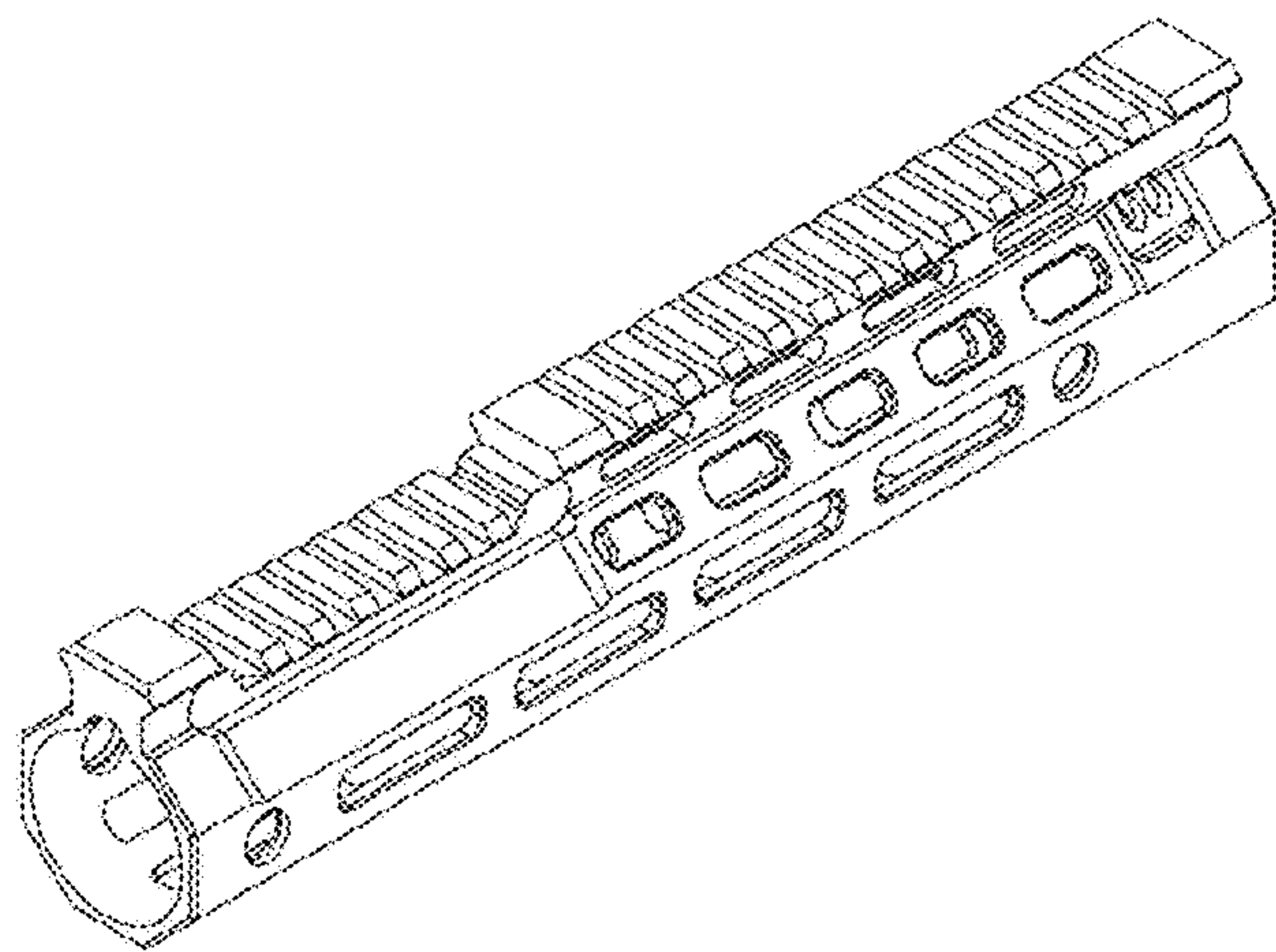


Fig. 1

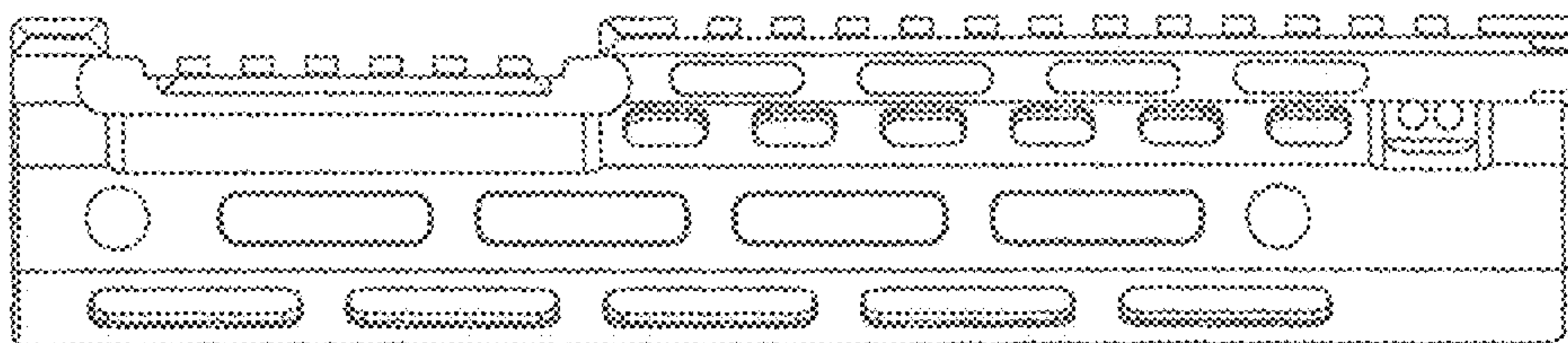


Fig. 2

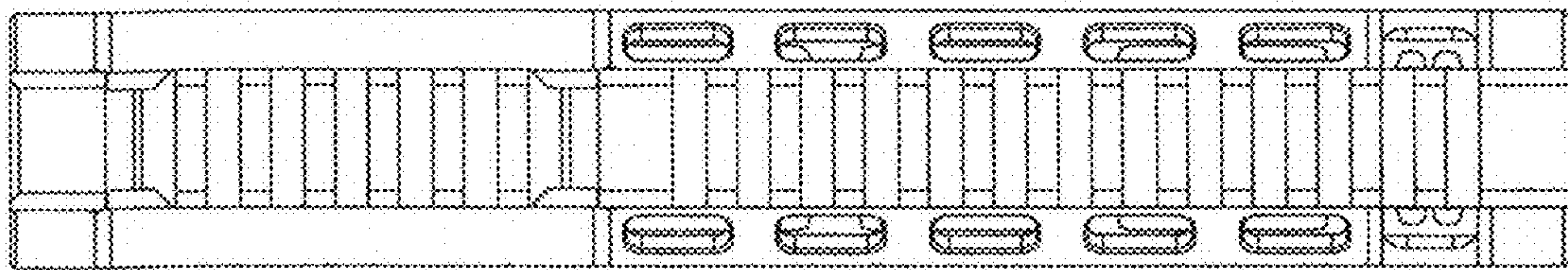


Fig. 3

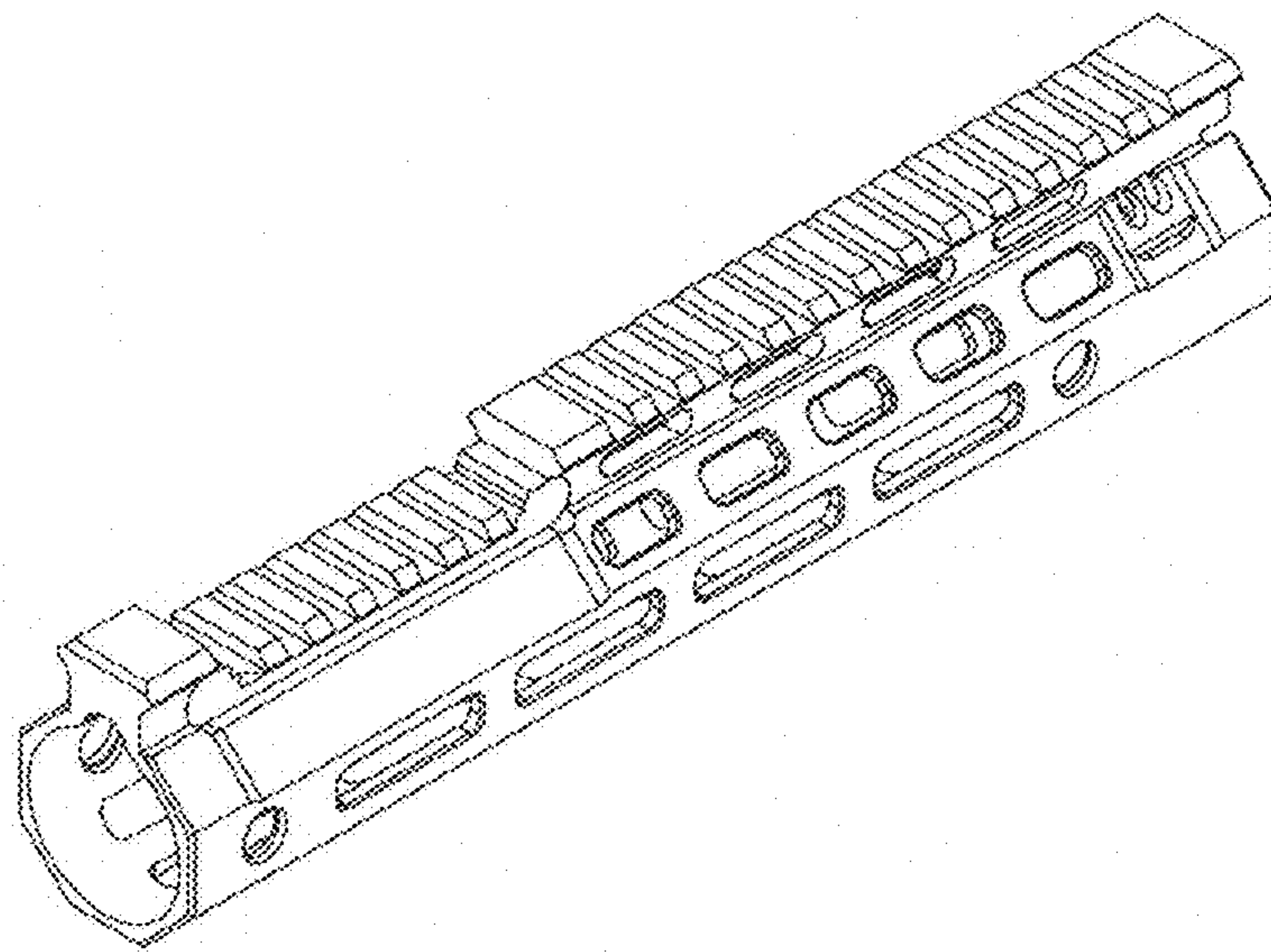


Fig. 4

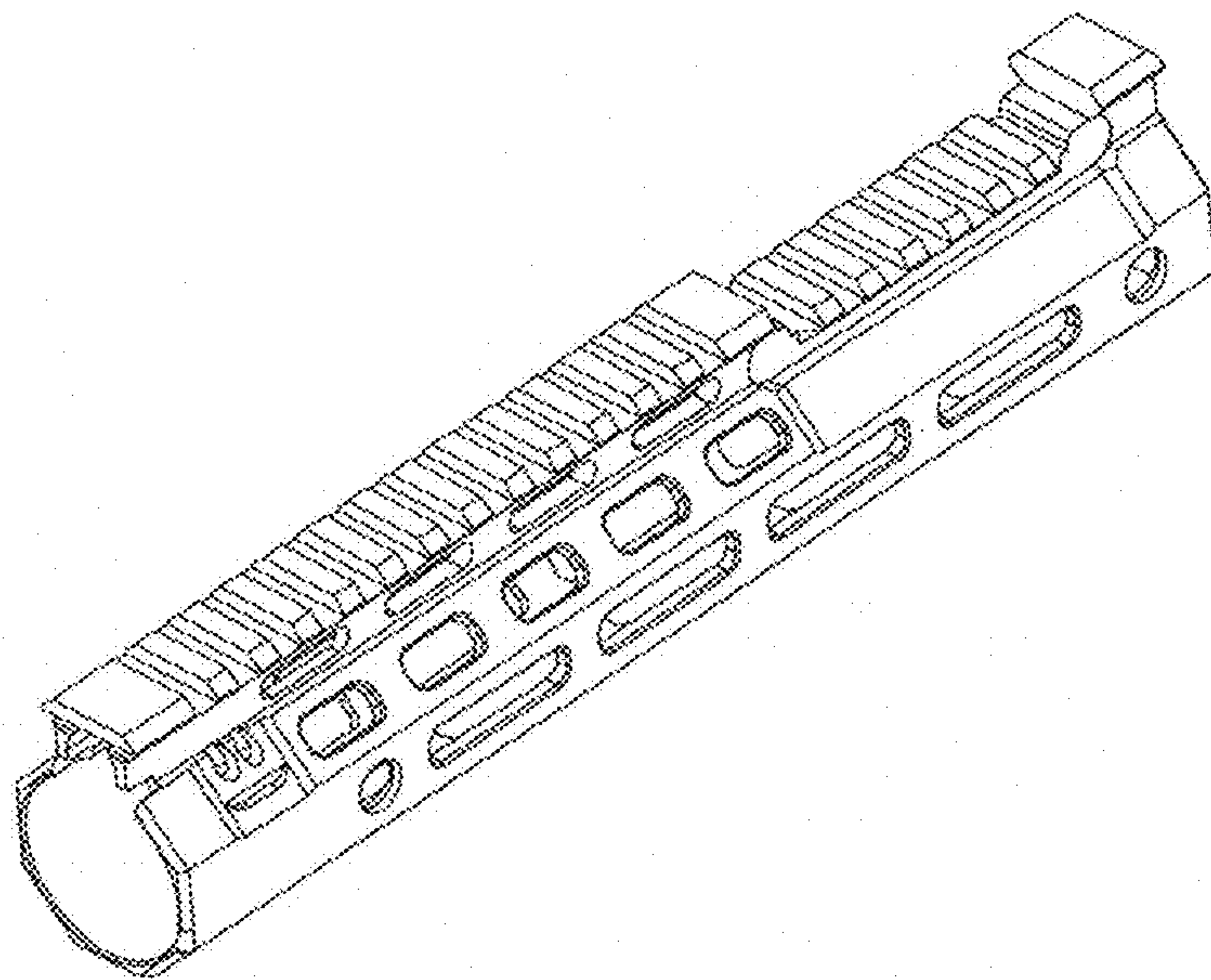


Fig. 5

