



US00D898850S

(12) **United States Design Patent**
Thomas

(10) **Patent No.:** **US D898,850 S**

(45) **Date of Patent:** **** Oct. 13, 2020**

(54) **COMBINATION DIVOT REPAIR AND GOLF CLUB LIFT TOOL**

(71) Applicant: **Paul Thomas**, Washington Township, MI (US)

(72) Inventor: **Paul Thomas**, Washington Township, MI (US)

(73) Assignee: **Paul Thomas**, Washington, MI (US)

(**) Term: **15 Years**

(21) Appl. No.: **29/682,788**

(22) Filed: **Mar. 7, 2019**

(51) **LOC (12) Cl.** **21-02**

(52) **U.S. Cl.**
USPC **D21/793**

(58) **Field of Classification Search**
USPC D21/789, 793, 794
CPC A63B 57/00; A63B 57/50; A63B 57/12;
A63B 57/16; A63B 57/20; A63B 57/30;
A63B 57/35
See application file for complete search history.

(56) **References Cited**

U.S. PATENT DOCUMENTS

D116,179 S * 8/1939 Yates, Jr. D8/17
D214,635 S * 7/1969 Reed D21/793

D249,574 S * 9/1978 Krlevich D21/793
D253,420 S * 11/1979 Heerlien D21/793
D254,211 S * 2/1980 Gutknecht D21/793
D357,964 S * 5/1995 Williams D21/793
D365,133 S * 12/1995 Belmont D21/794
D389,889 S * 1/1998 Cullen, III D21/793
D583,892 S * 12/2008 McGonigle D21/793
D594,922 S * 6/2009 McLane D21/793
D605,720 S * 12/2009 McLane D21/793
D855,135 S * 7/2019 Kang D21/793

* cited by examiner

Primary Examiner — Mitchell I. Siegel

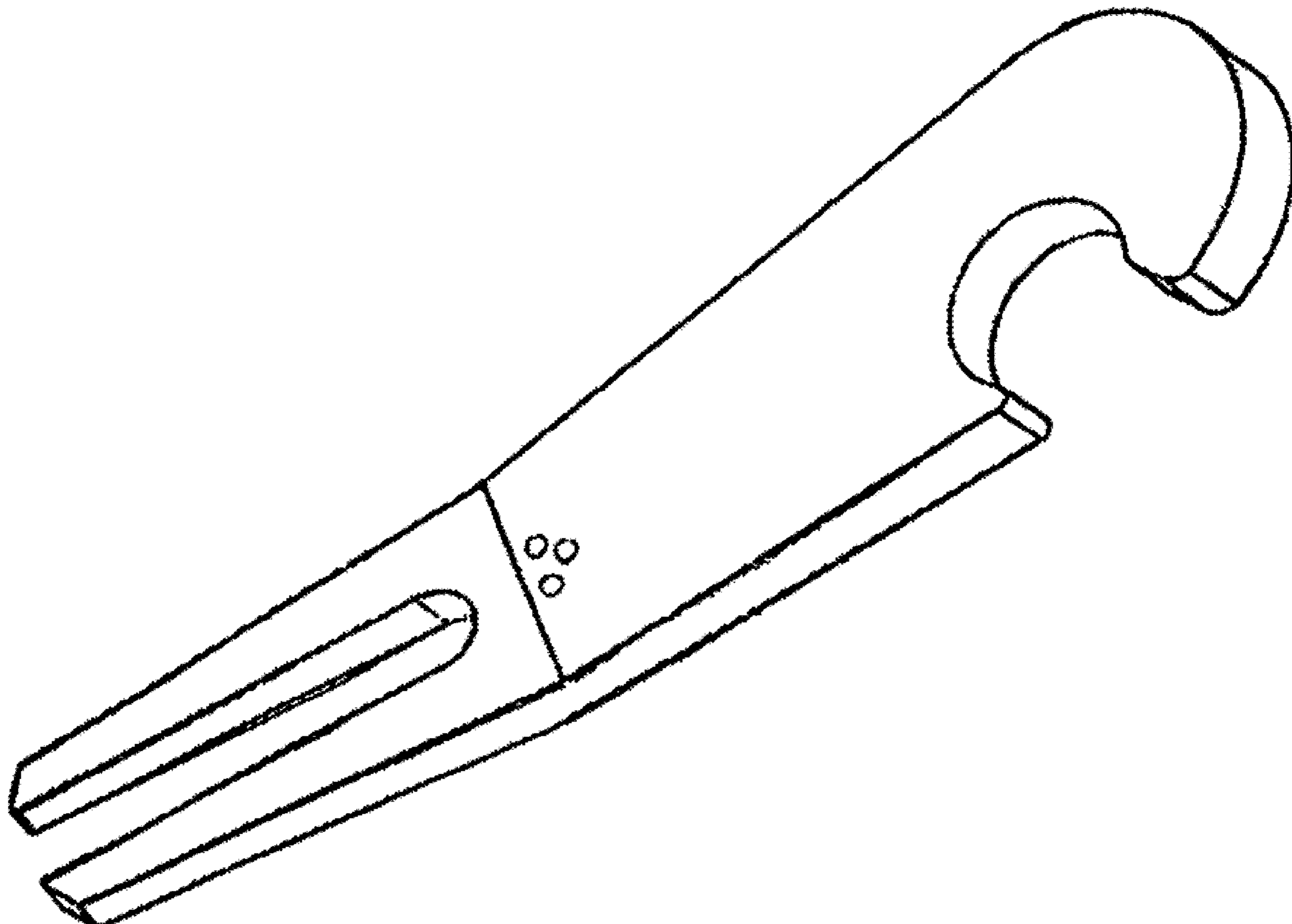
(57) **CLAIM**

The ornamental design for a combination divot repair and golf club lift tool, as shown.

DESCRIPTION

FIG. 1 is a *Side view* thereof;
FIG. 2 is a *Front view* thereof;
FIG. 3 is a *Back view* thereof;
FIG. 4 is a *Left Side view* thereof;
FIG. 5 is a *Right Side view* thereof; and,
FIG. 6 is a *Perspective View*.

1 Claim, 1 Drawing Sheet



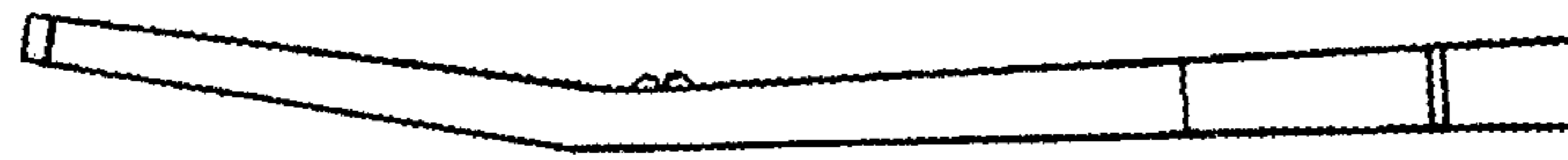


FIG 1

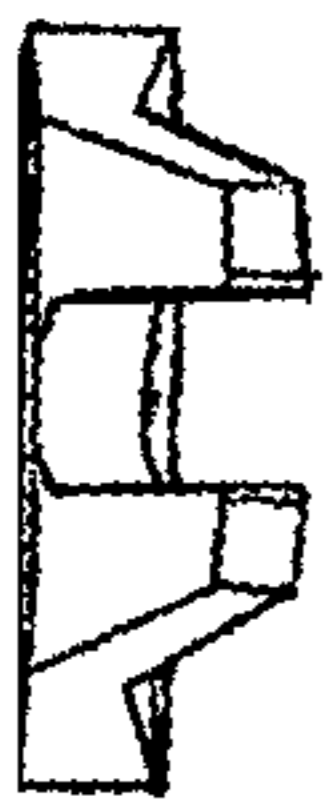


FIG 4

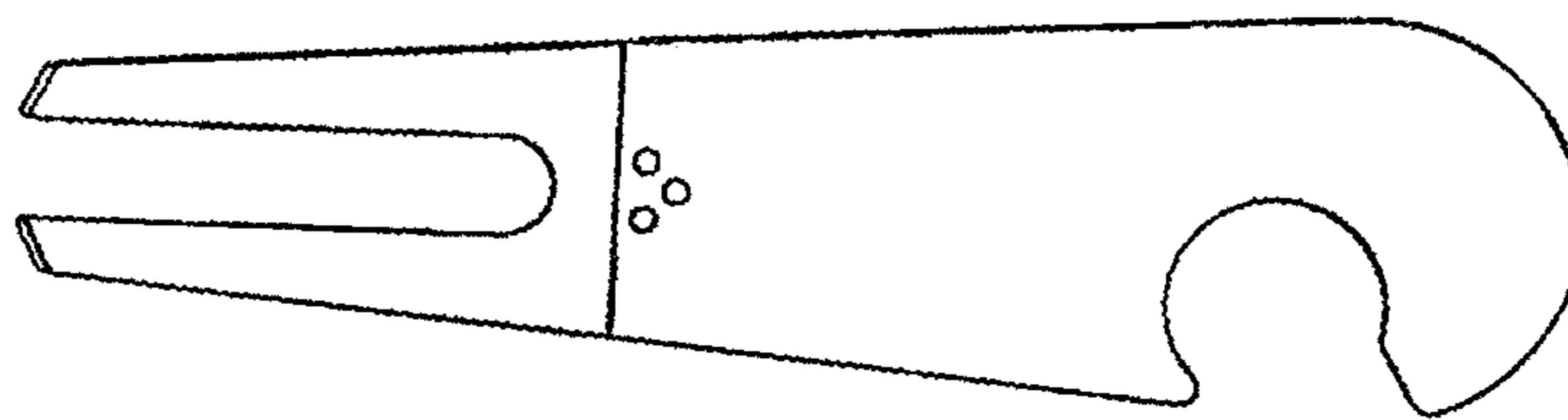


FIG 2



FIG 5

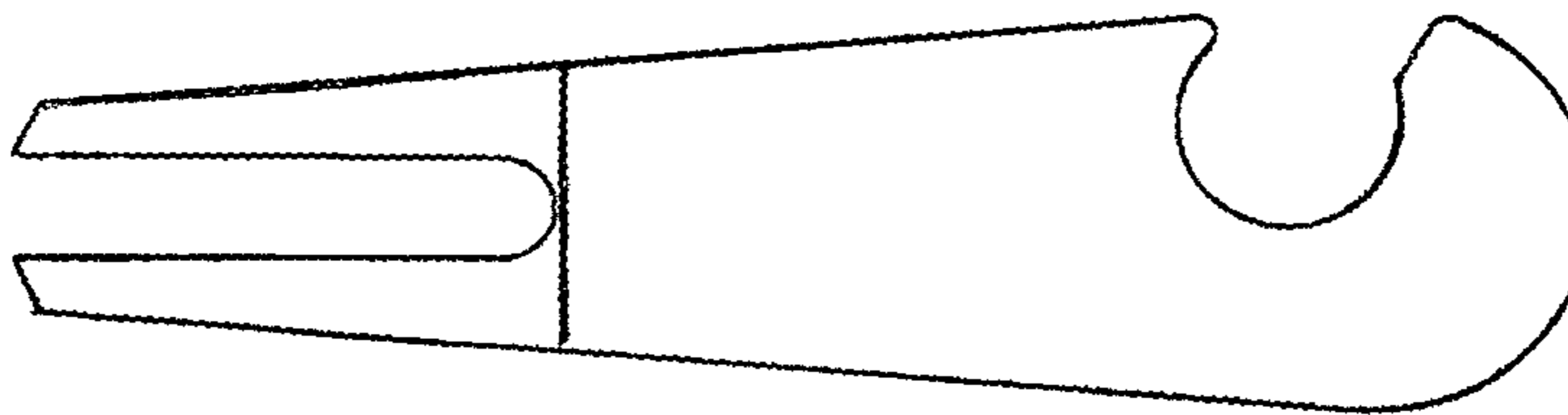


FIG 3

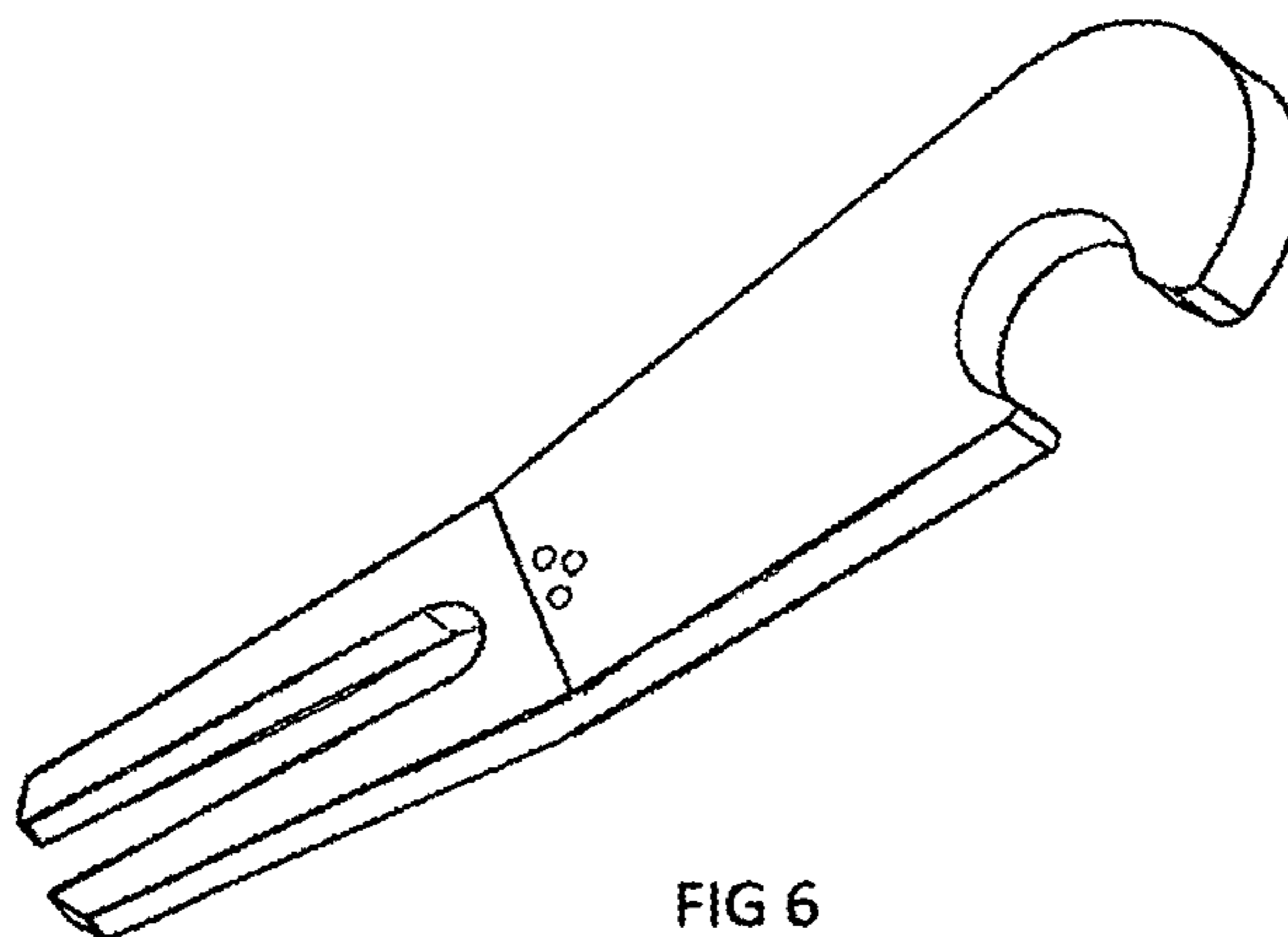


FIG 6