



US00D898846S

(12) **United States Design Patent**
Clarke et al.

(10) **Patent No.:** **US D898,846 S**

(45) **Date of Patent:** **** Oct. 13, 2020**

(54) **GOLF CLUB HEAD**

(71) Applicant: **KARSTEN MANUFACTURING CORPORATION**, Phoenix, AZ (US)

(72) Inventors: **Jacob T. Clarke**, Phoenix, AZ (US);
David A. Higdon, Cave Creek, AZ (US)

(73) Assignee: **Karsten Manufacturing Corporation**, Phoenix, AZ (US)

(**) Term: **15 Years**

(21) Appl. No.: **29/683,317**

(22) Filed: **Mar. 12, 2019**

(51) **LOC (12) Cl.** **21-02**

(52) **U.S. Cl.**
USPC **D21/743**

(58) **Field of Classification Search**
USPC D21/736–746, 759
CPC A63B 53/00; A63B 53/04; A63B 53/007;
A63B 53/065; A63B 53/0487; A63B
60/00; A63B 60/46
See application file for complete search history.

(56) **References Cited**

U.S. PATENT DOCUMENTS

D316,129 S	4/1991	Bryson	
D375,131 S	10/1996	Williams	
5,685,784 A	11/1997	Butler	
D396,083 S *	7/1998	Sheets	D21/742
D399,900 S	10/1998	Hogan	
D399,911 S *	10/1998	Nicolette	D21/736
D400,610 S *	11/1998	Cameron	D21/742
D400,942 S	11/1998	Billings	
D402,343 S *	12/1998	Helmstetter	D21/738
D411,271 S *	6/1999	Nelson	D21/738
D445,860 S	7/2001	Mills	
D447,197 S	8/2001	Mills	

D455,805 S	4/2002	Mills
6,379,259 B1	4/2002	Opie
D474,253 S	5/2003	Mills
D474,520 S	5/2003	Mills
D488,200 S	4/2004	Olsavsky
D496,417 S	9/2004	Tang
D500,109 S	12/2004	Solheim

(Continued)

Primary Examiner — Mitchell I. Siegel

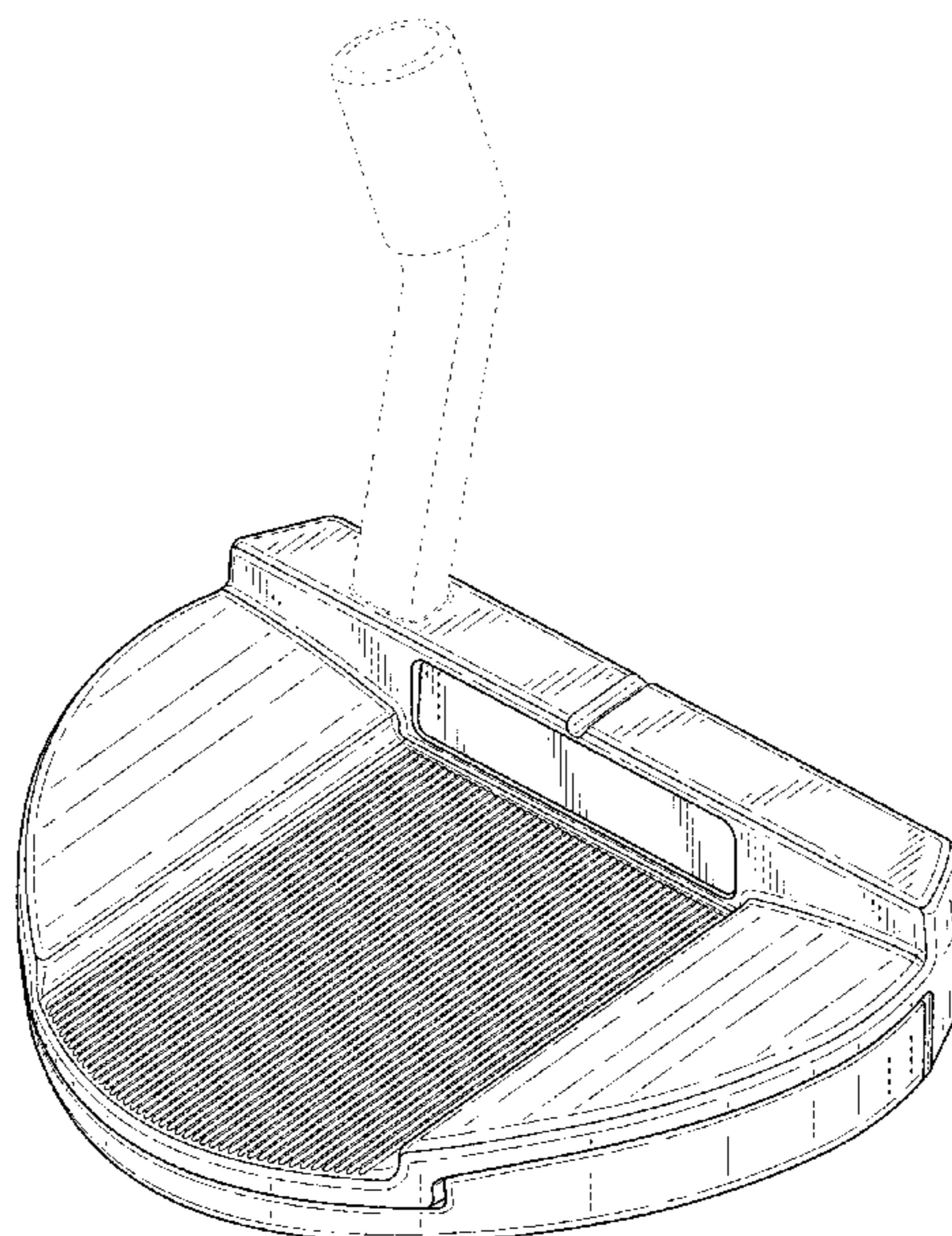
(57) **CLAIM**

The ornamental design for a golf club head, as shown and described.

DESCRIPTION

FIG. 1 is a top perspective view of a golf club head;
 FIG. 2 is a bottom perspective view of the golf club head of FIG. 1;
 FIG. 3 is a top view of the golf club head of FIG. 1;
 FIG. 4 is a bottom view of the golf club head of FIG. 1;
 FIG. 5 is a front view of the golf club head of FIG. 1;
 FIG. 6 is a rear view of the golf club head of FIG. 1;
 FIG. 7 is a heel side view of the golf club head of FIG. 1;
 FIG. 8 is a toe side view of the golf club head of FIG. 1;
 FIG. 9 is a top perspective view of another embodiment of a golf club head;
 FIG. 10 is a bottom perspective view of the golf club head of FIG. 9;
 FIG. 11 is a top view of the golf club head of FIG. 9;
 FIG. 12 is a bottom view of the golf club head of FIG. 9;
 FIG. 13 is a front view of the golf club head of FIG. 9;
 FIG. 14 is a rear view of the golf club head of FIG. 9;
 FIG. 15 is a heel side view of the golf club head of FIG. 9; and,
 FIG. 16 is a toe side view of the golf club head of FIG. 9.
 The broken line showing is included for the purpose of illustrating unclaimed subject matter and forms no part of the claimed design.

1 Claim, 14 Drawing Sheets



(56)

References Cited

U.S. PATENT DOCUMENTS

D500,110 S	12/2004	Solheim	
6,837,801 B1	1/2005	Souza	
6,878,071 B1	4/2005	Schweiger	
6,893,355 B2	5/2005	Souza	
6,902,496 B2	6/2005	Solheim	
D507,612 S	7/2005	Souza	
6,926,615 B1	8/2005	Souza	
D511,802 S *	11/2005	Cameron D21/744
6,960,140 B2	11/2005	Solheim	
6,966,845 B2	11/2005	Solheim	
D520,584 S	5/2006	Karlsen	
D521,582 S	5/2006	Souza	
7,052,411 B2	5/2006	Solheim	
D522,598 S	6/2006	Solheim	
7,077,758 B2	7/2006	Rohrer	
7,086,957 B2	8/2006	Solheim	
D527,777 S	9/2006	Solheim	
D529,108 S	9/2006	Stites	
D532,468 S *	11/2006	Hettinger D21/743
D532,847 S	11/2006	Rollinson	
D533,243 S	12/2006	Fife	
7,235,021 B2	6/2007	Solheim	
D548,295 S	8/2007	Jertson	
7,255,650 B2	8/2007	Bryant	
D552,197 S	10/2007	Wells	
D565,137 S	3/2008	Oldknow	
D569,460 S	5/2008	Walker	
D569,462 S	5/2008	Rollinson	
D571,879 S	5/2008	Jones et al.	
7,374,497 B2	5/2008	Brown	
D574,907 S	8/2008	Jones et al.	
D581,473 S	11/2008	Thomas	
D583,003 S	12/2008	Solheim	
D587,325 S	2/2009	Solheim	
D590,463 S *	4/2009	Hettinger D21/743
D591,806 S	5/2009	Cameron	
D594,073 S	6/2009	Kadoya	
D595,372 S	6/2009	Rollinson	
D600,760 S	9/2009	Serrano	
D600,761 S	9/2009	Solheim	
D600,762 S	9/2009	Serrano	
D603,007 S	10/2009	Franklin	
D604,782 S *	11/2009	Franklin D21/736
D607,950 S	1/2010	Souza	
D621,458 S	8/2010	Serrano	
D621,460 S	8/2010	Serrano	
D621,461 S	8/2010	Serrano	
D621,462 S	8/2010	Serrano	
D621,891 S	8/2010	Serrano	
7,803,066 B2	9/2010	Solheim	
D634,801 S *	3/2011	Rollinson D21/743
D635,625 S *	4/2011	Rollinson D21/743
D638,891 S	5/2011	Nicolette	
D640,341 S	6/2011	Foster	
D643,080 S	8/2011	Serrano	
D643,485 S	8/2011	Nicolette	
D643,486 S	8/2011	Serrano	
D643,487 S	8/2011	Serrano	
D644,703 S *	9/2011	Serrano D21/743
D648,408 S *	11/2011	Teramoto D21/743
8,100,779 B2	1/2012	Solheim	
8,109,838 B2	1/2012	Solheim	
D653,718 S	2/2012	Stokke	
D664,617 S	7/2012	Serrano	
D691,681 S *	10/2013	Hilton D21/736
D715,388 S	10/2014	Serrano	
D720,022 S *	12/2014	Rollinson D21/736
D720,023 S *	12/2014	Rollinson D21/736
D720,024 S *	12/2014	Rollinson D21/736
D720,411 S *	12/2014	Rollinson D21/743
D720,412 S *	12/2014	Rollinson D21/743
D723,641 S	3/2015	Serrano	
D735,283 S	7/2015	Solheim	
D741,427 S	10/2015	Broom	
D754,805 S	4/2016	Serrano	
D759,173 S *	6/2016	Rollinson D21/743
D768,247 S *	10/2016	Rollinson D21/744
D769,996 S *	10/2016	Abbott D21/744
D779,006 S *	2/2017	Abbott D21/744
D796,603 S *	9/2017	Serrano D21/744
D820,364 S *	6/2018	Cameron D21/743
D826,353 S *	8/2018	Cameron D21/736
D873,358 S *	1/2020	Lee D21/744
D879,223 S *	3/2020	Serrano D21/742
2006/0094533 A1	5/2006	Warren	
2007/0191135 A1	8/2007	Nilsson	
2010/0227704 A1	9/2010	Souza	

* cited by examiner

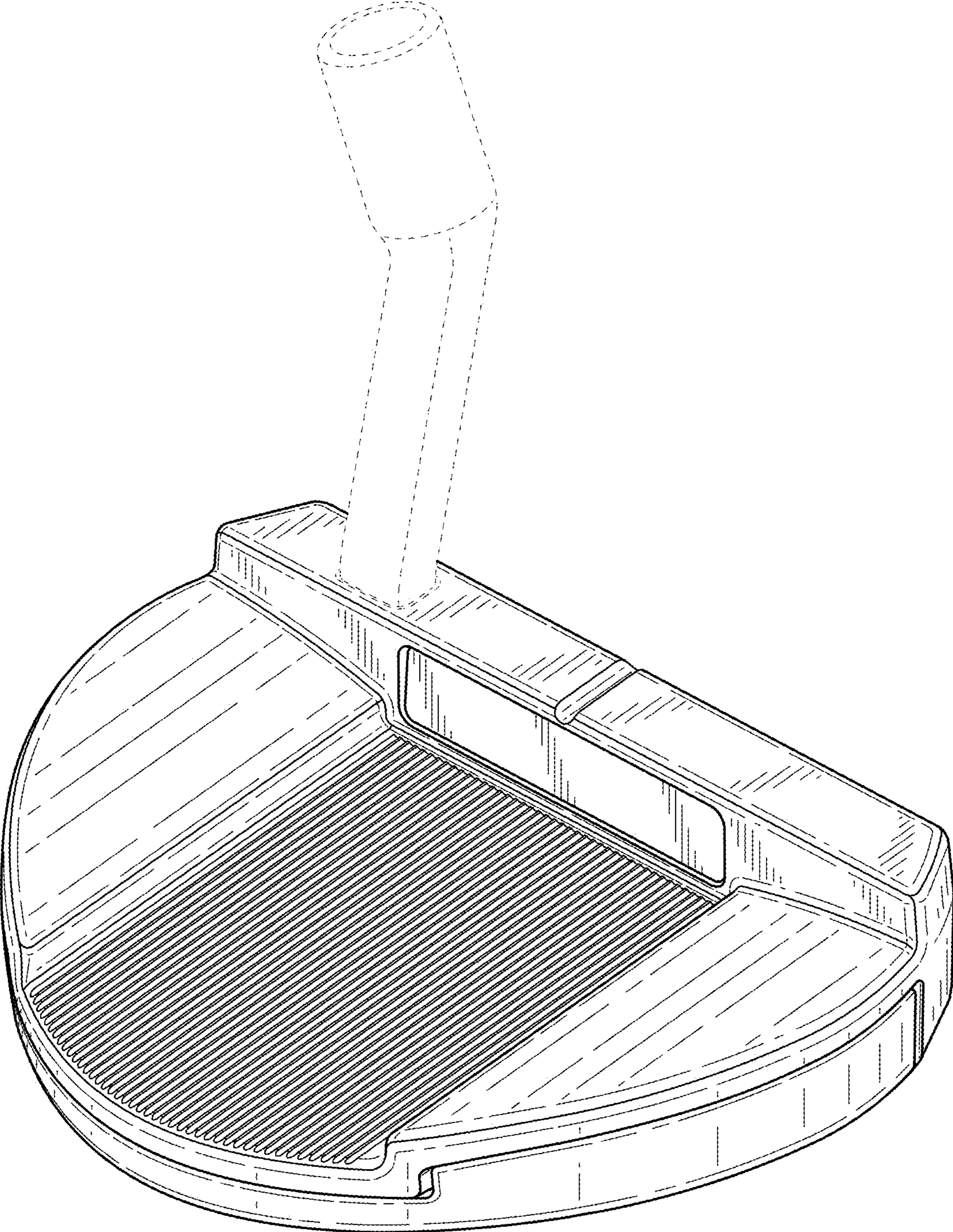


FIG. 1

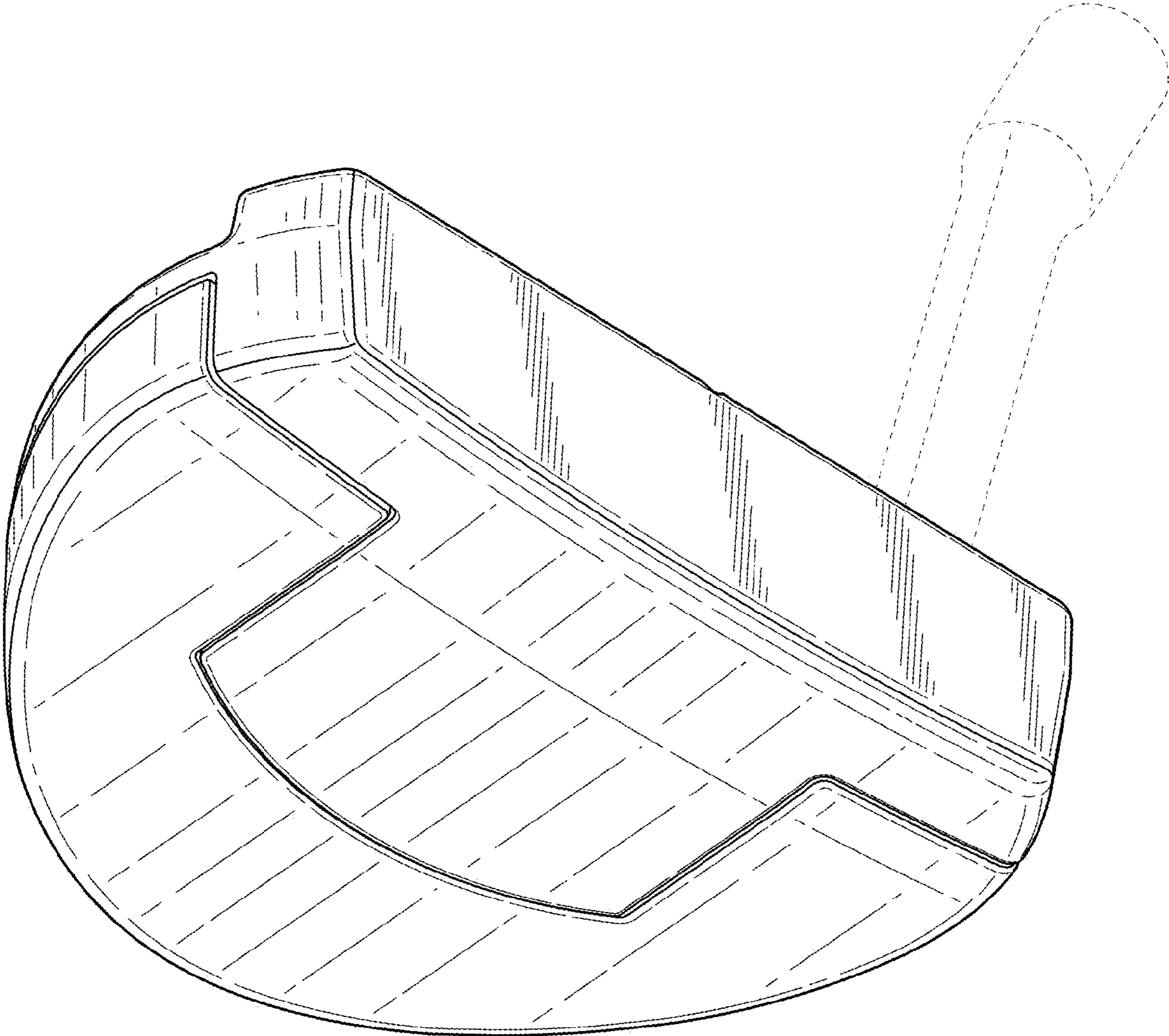


FIG. 2

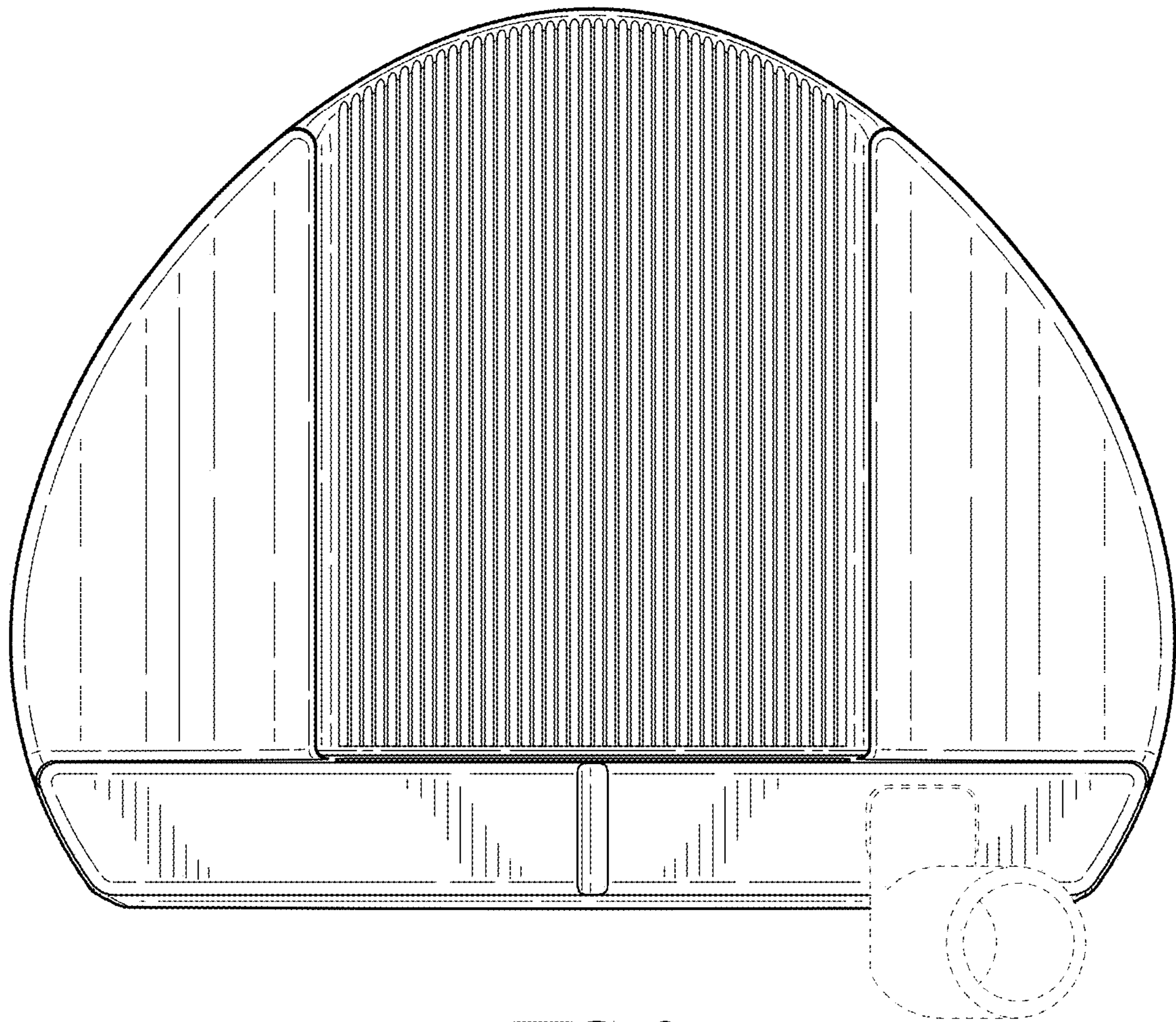


FIG. 3

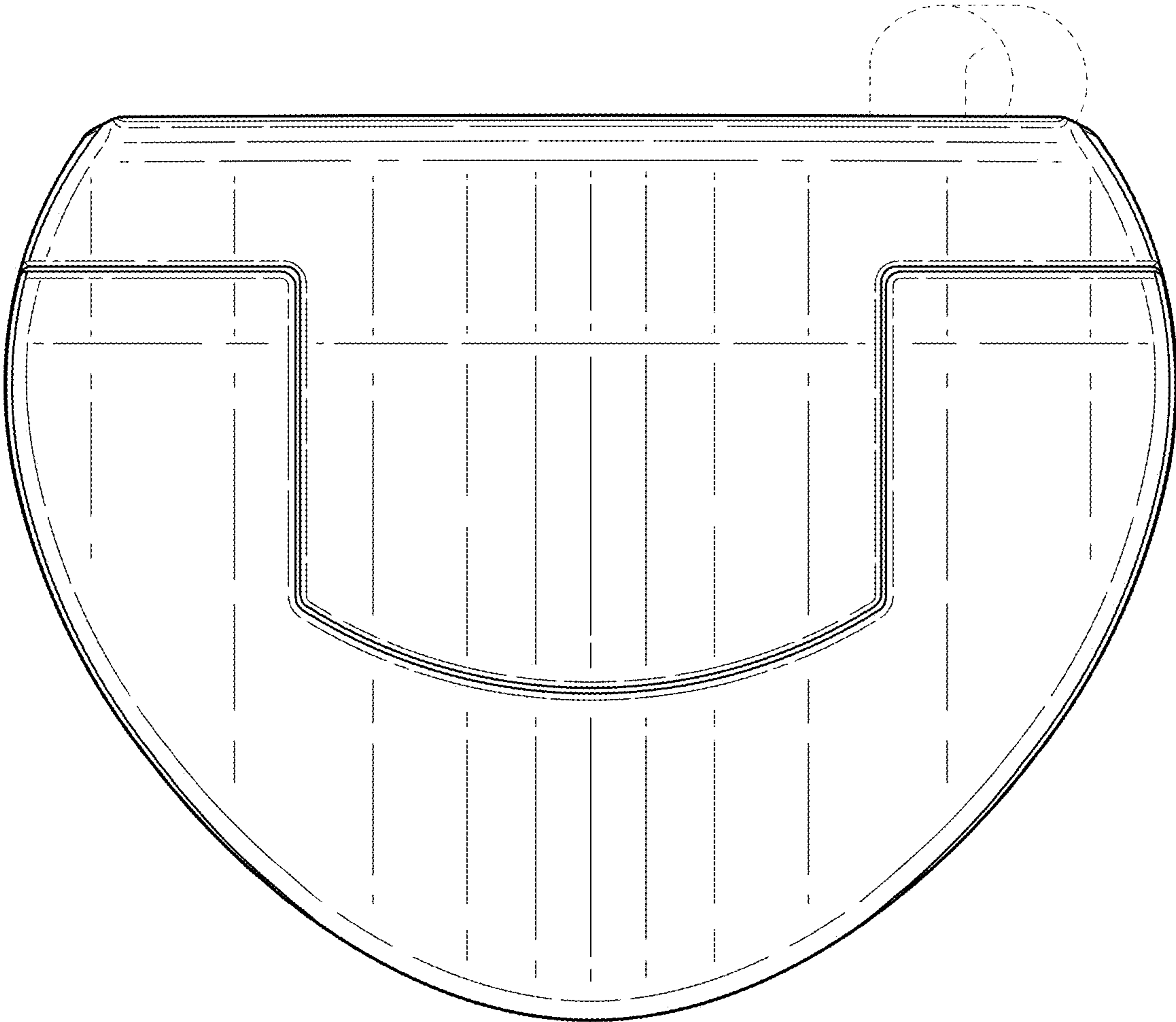


FIG. 4

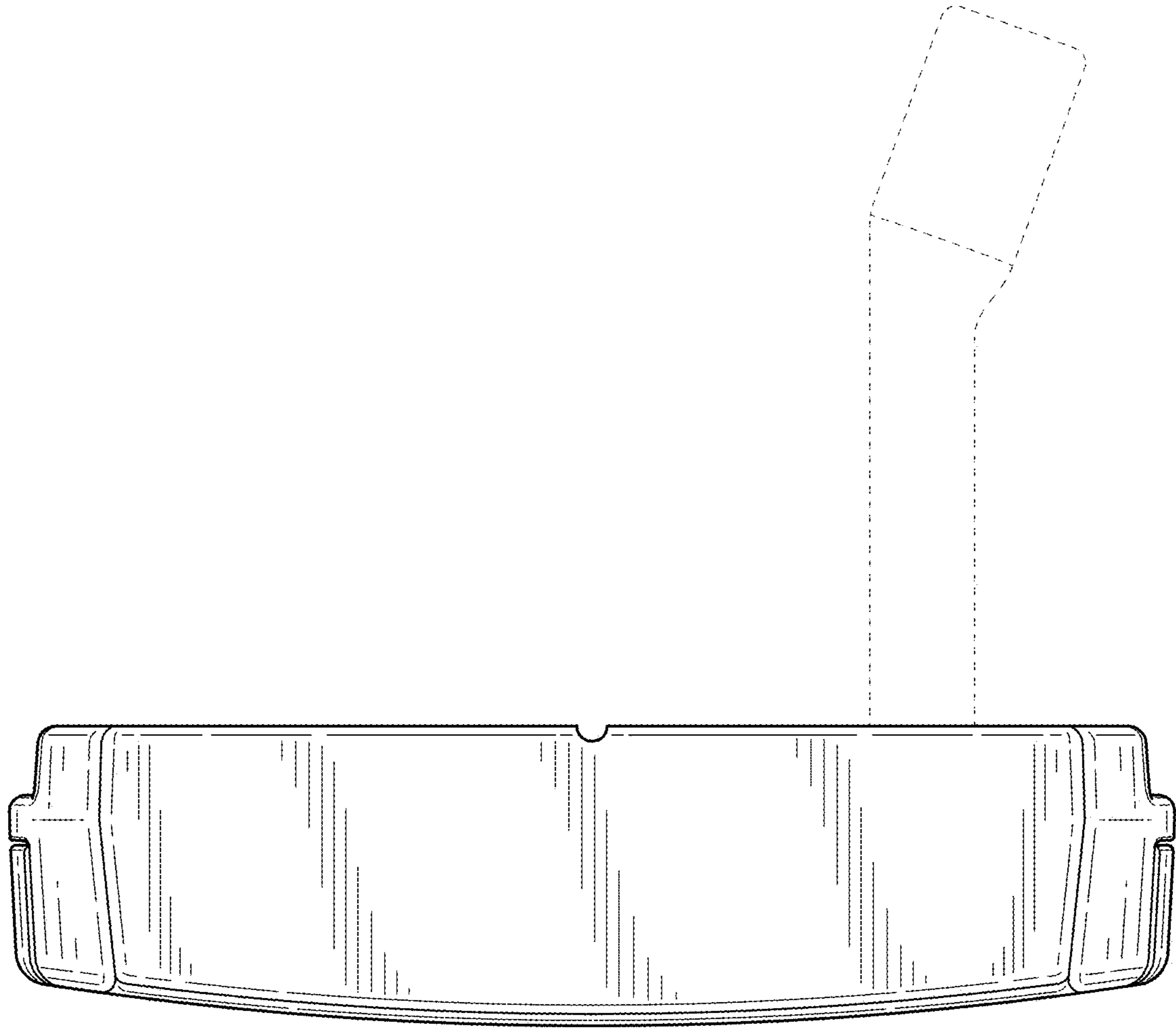


FIG. 5

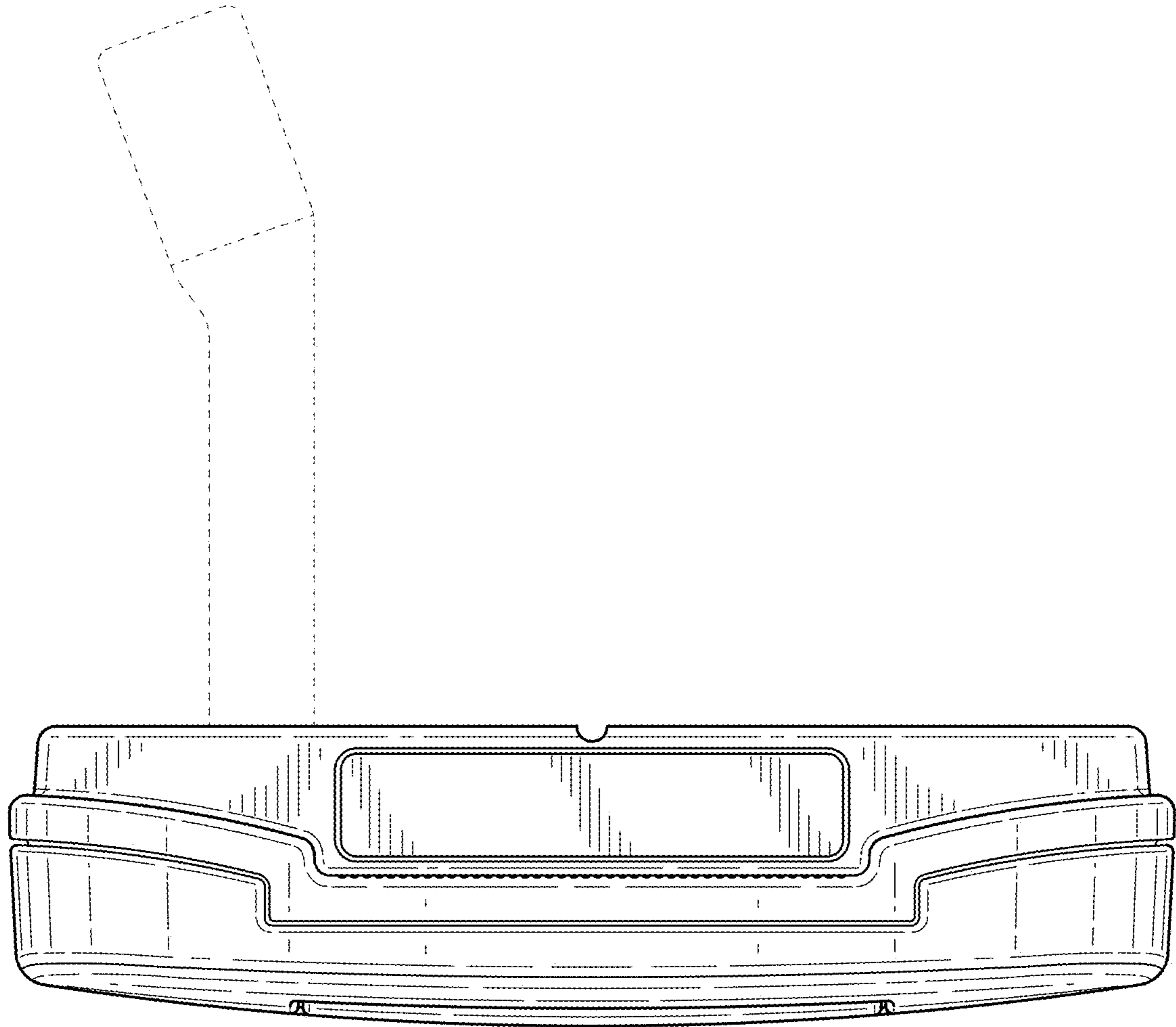


FIG. 6

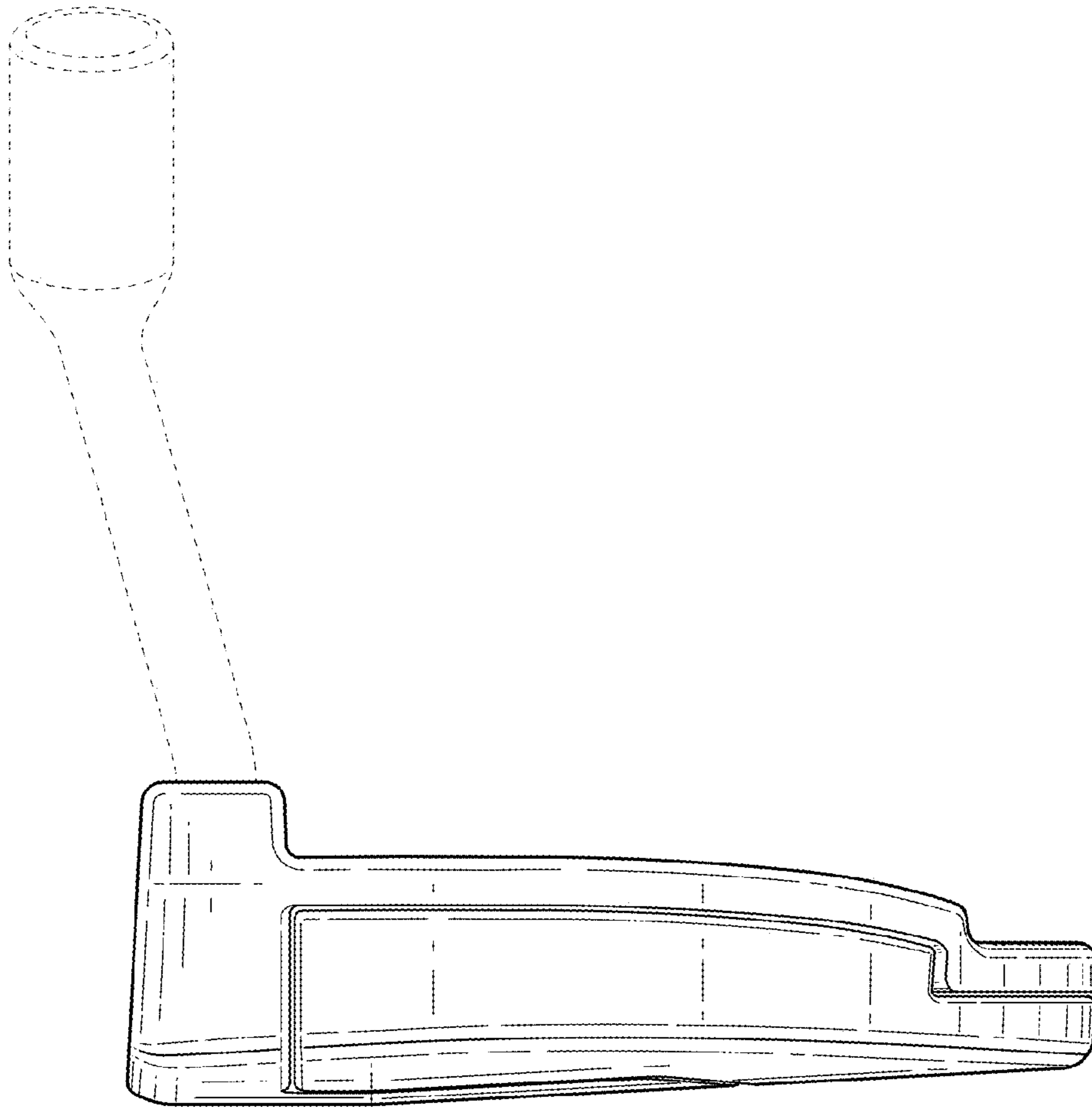


FIG. 7

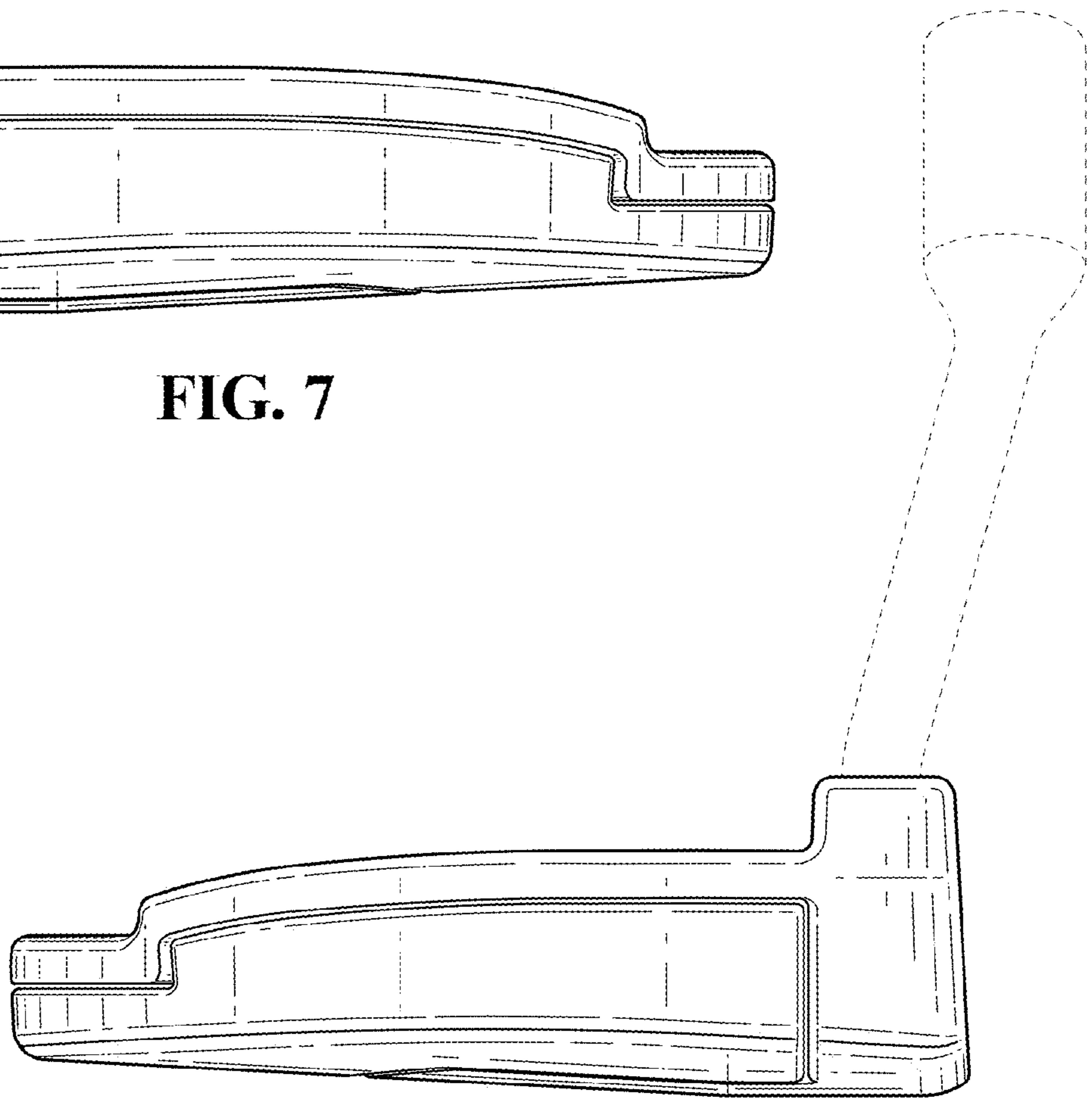


FIG. 8

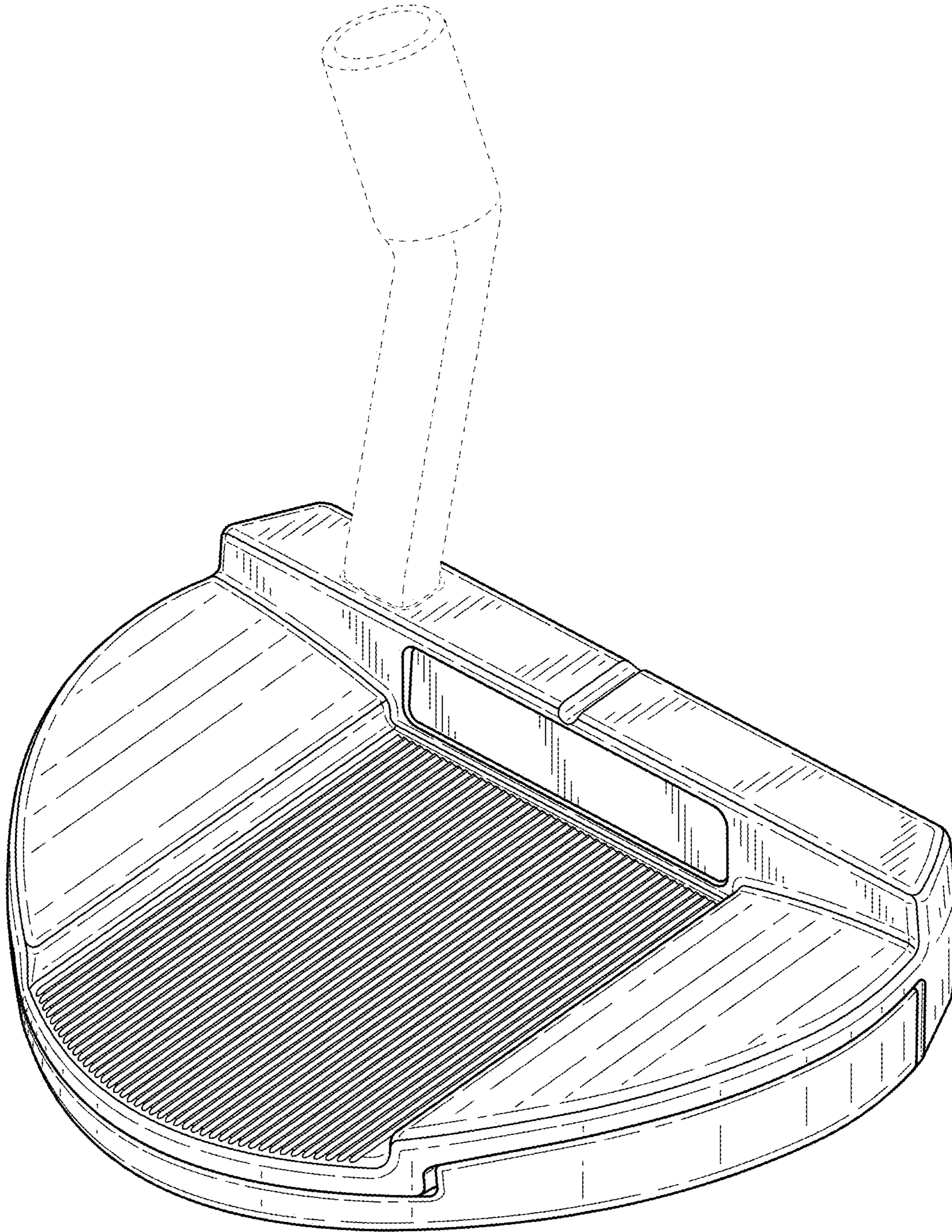


FIG. 9

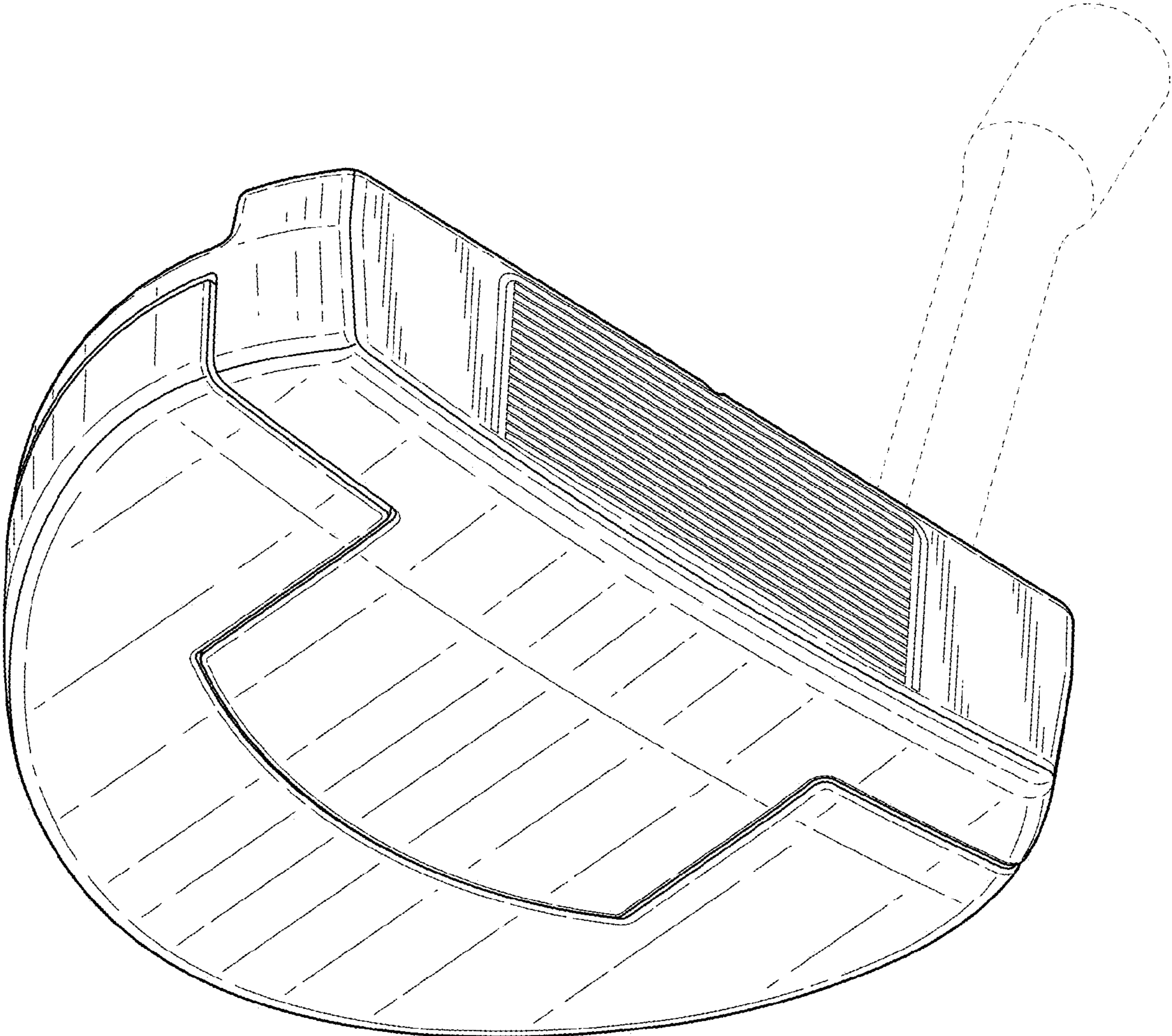


FIG. 10

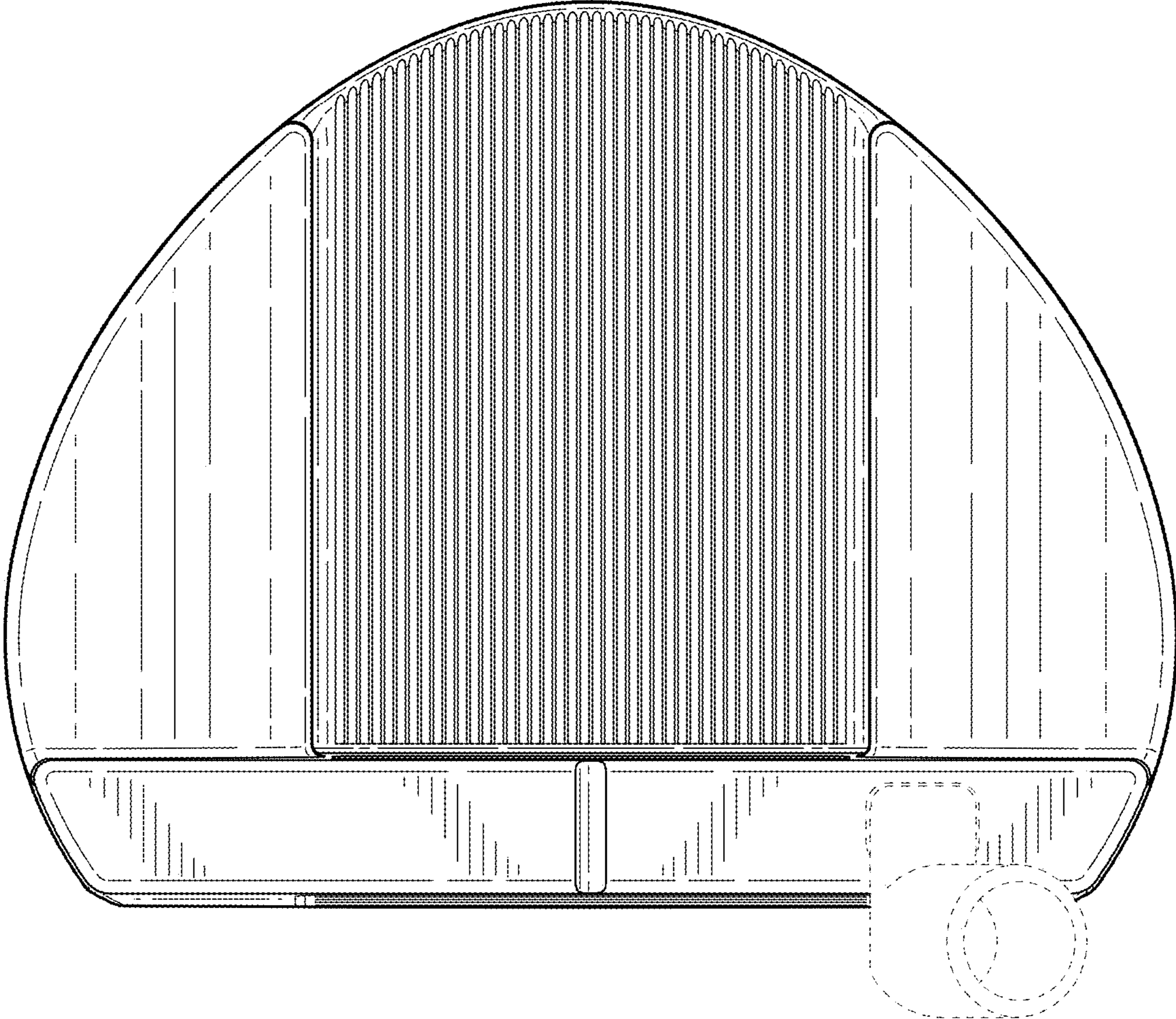


FIG. 11

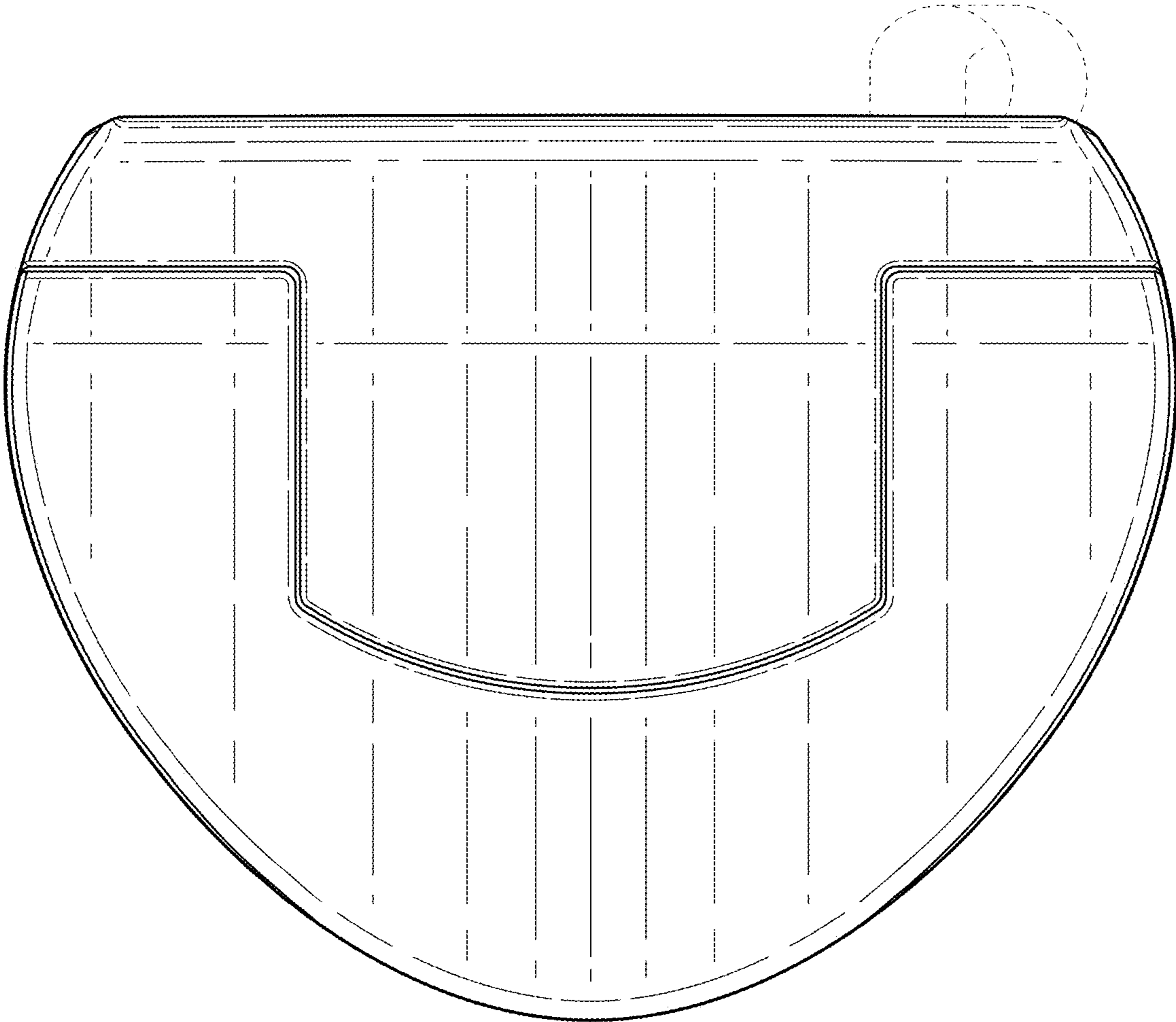


FIG. 12

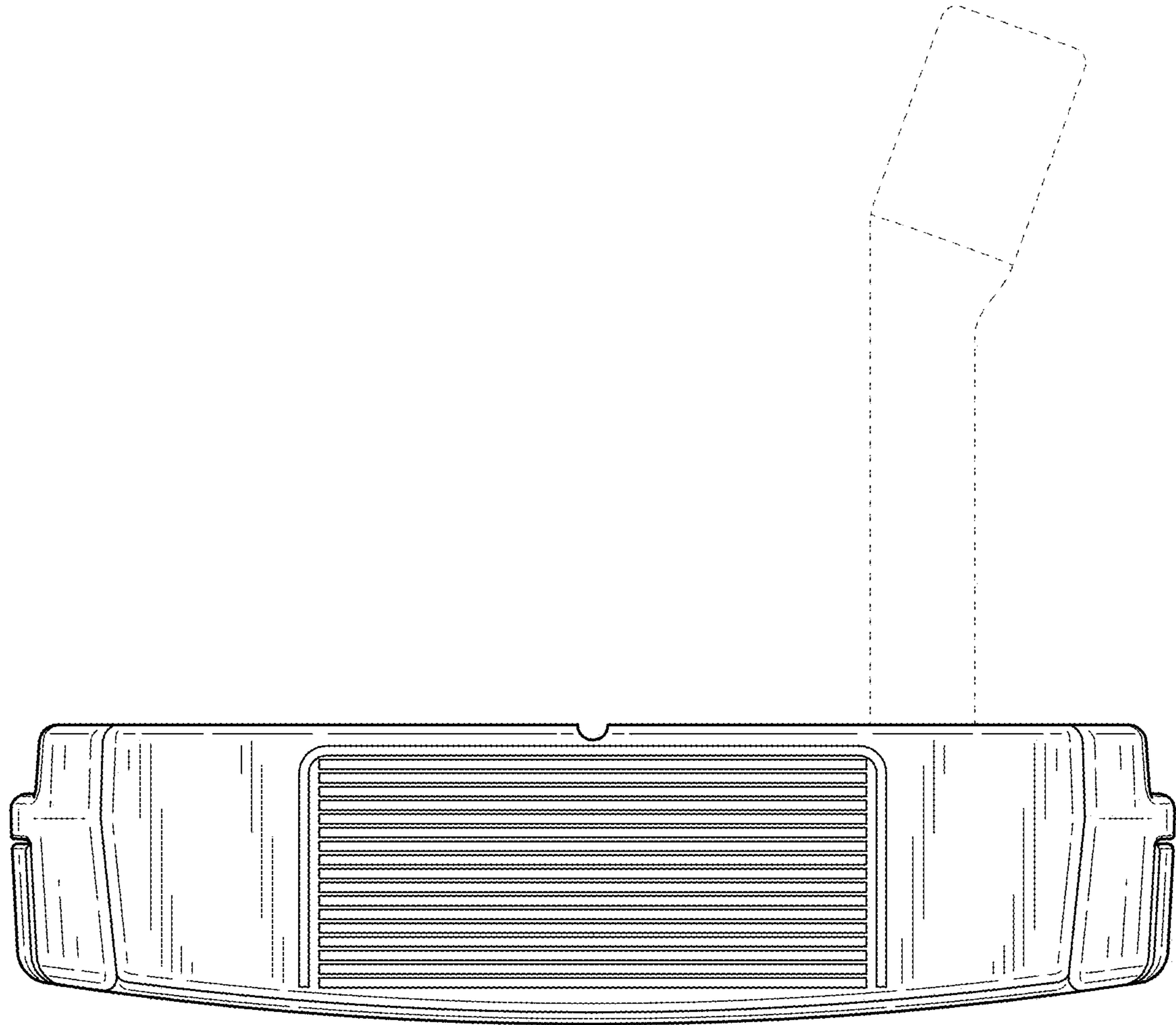


FIG. 13

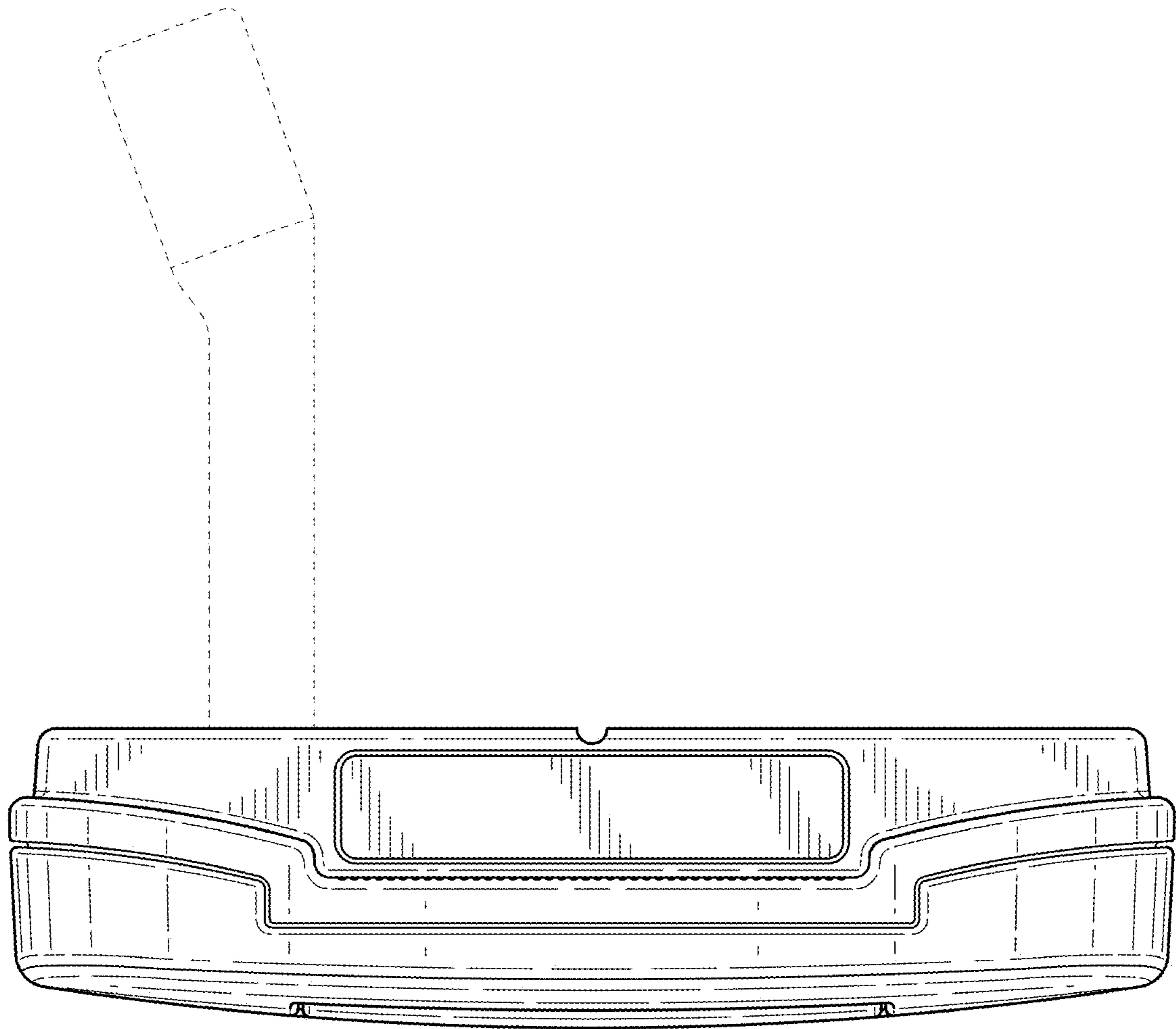


FIG. 14

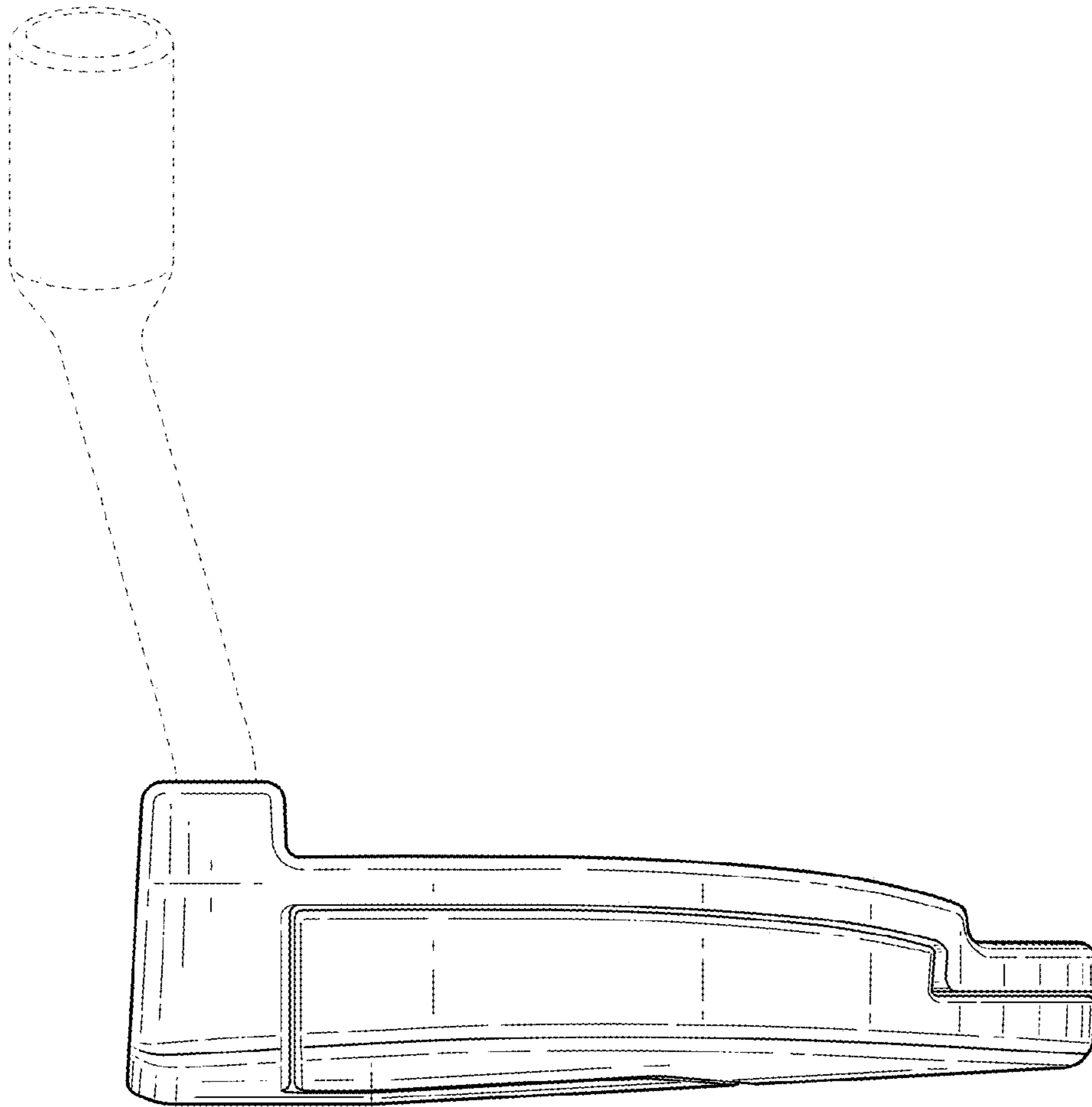


FIG. 15

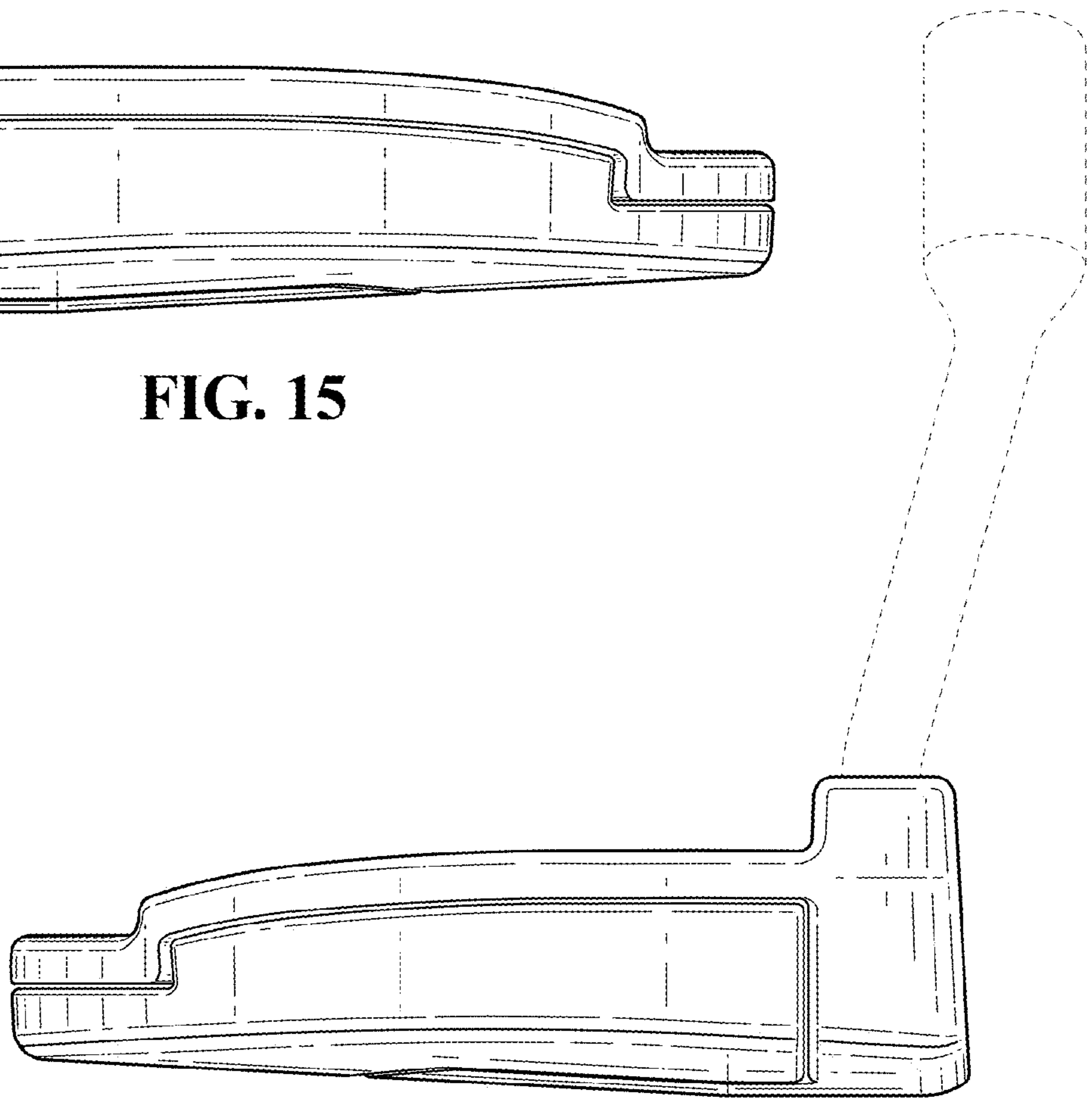


FIG. 16