



US00D898843S

(12) **United States Design Patent**  
**Kwon et al.**

(10) **Patent No.:** **US D898,843 S**

(45) **Date of Patent:** **\*\* Oct. 13, 2020**

(54) **ROWING MACHINE**

(71) Applicant: **CREW by True Rowing, Inc.**,  
Cambridge, MA (US)

(72) Inventors: **Taehak Kwon**, Brookline, MA (US);  
**Julianna Miller**, Boston, MA (US)

(73) Assignee: **Hydrow, Inc.**, Cambridge, MA (US)

(\*\*) Term: **15 Years**

(21) Appl. No.: **29/656,695**

(22) Filed: **Jul. 16, 2018**

(51) **LOC (12) Cl.** ..... **21-02**

(52) **U.S. Cl.**

USPC ..... **D21/674**

(58) **Field of Classification Search**

USPC ..... D21/662, 665, 668, 673-676, 686,  
D21/694-696; D24/190

CPC ..... A63B 23/0211; A63B 2208/0233; A63B  
21/4047; A63B 21/068; A63B 21/0628;  
A63B 23/0233; A63B 21/4035; A63B  
23/0227; A63B 23/0216; A63B  
2208/0252; A63B 23/0405; A63B  
21/4029; A63B 21/0004

See application file for complete search history.

(56) **References Cited**

**U.S. PATENT DOCUMENTS**

D609,288 S *	2/2010	Khubani	.....	D21/674
D632,746 S *	2/2011	Wu	.....	D21/674
D691,672 S *	10/2013	Nichols	.....	D21/437
D691,678 S *	10/2013	Cardillo	.....	D21/662
D712,493 S *	9/2014	Ercanbrack	.....	D21/674
D741,960 S *	10/2015	Campanaro	.....	D21/676
9,901,768 B1 *	2/2018	Wu	.....	A63B 21/0058
D839,530 S *	2/2019	Brunner	.....	D1/106
D861,805 S *	10/2019	Lisi	.....	D21/674
2011/0028278 A1 *	2/2011	Roach	.....	A63B 22/0076
				482/72

2018/0056117 A1 *	3/2018	Hamilton	.....	A63B 21/008
2018/0169463 A1 *	6/2018	Ellis	.....	A63B 21/225
2018/0272182 A1 *	9/2018	Hou	.....	A63B 22/0076

**FOREIGN PATENT DOCUMENTS**

KR 3005472670000 12/2009

**OTHER PUBLICATIONS**

Eurasian Preliminary Examination Report in Eurasian Application No. 006039020-0001 dated Jan. 24, 2019, 5 pages.

Taiwanese Notice of Allowance in Taiwanese Application No. 108300308, dated Jul. 8, 2019, 15 pages with English Translation. USPTO Transaction History for U.S. Appl. No. 29/656,695, downloaded on Sep. 17, 2019.

\* cited by examiner

*Primary Examiner* — Shannon W Morgan

*Assistant Examiner* — Keith Frank

(74) *Attorney, Agent, or Firm* — Fish & Richardson P.C.

(57) **CLAIM**

The ornamental design for a rowing machine, as shown and described.

**DESCRIPTION**

FIG. 1 is a front perspective view of a rowing machine showing our new design.

FIG. 2 is a front elevation view thereof;

FIG. 3 is a back elevation view thereof;

FIG. 4 is a right side elevation view thereof;

FIG. 5 is a left side elevation view thereof;

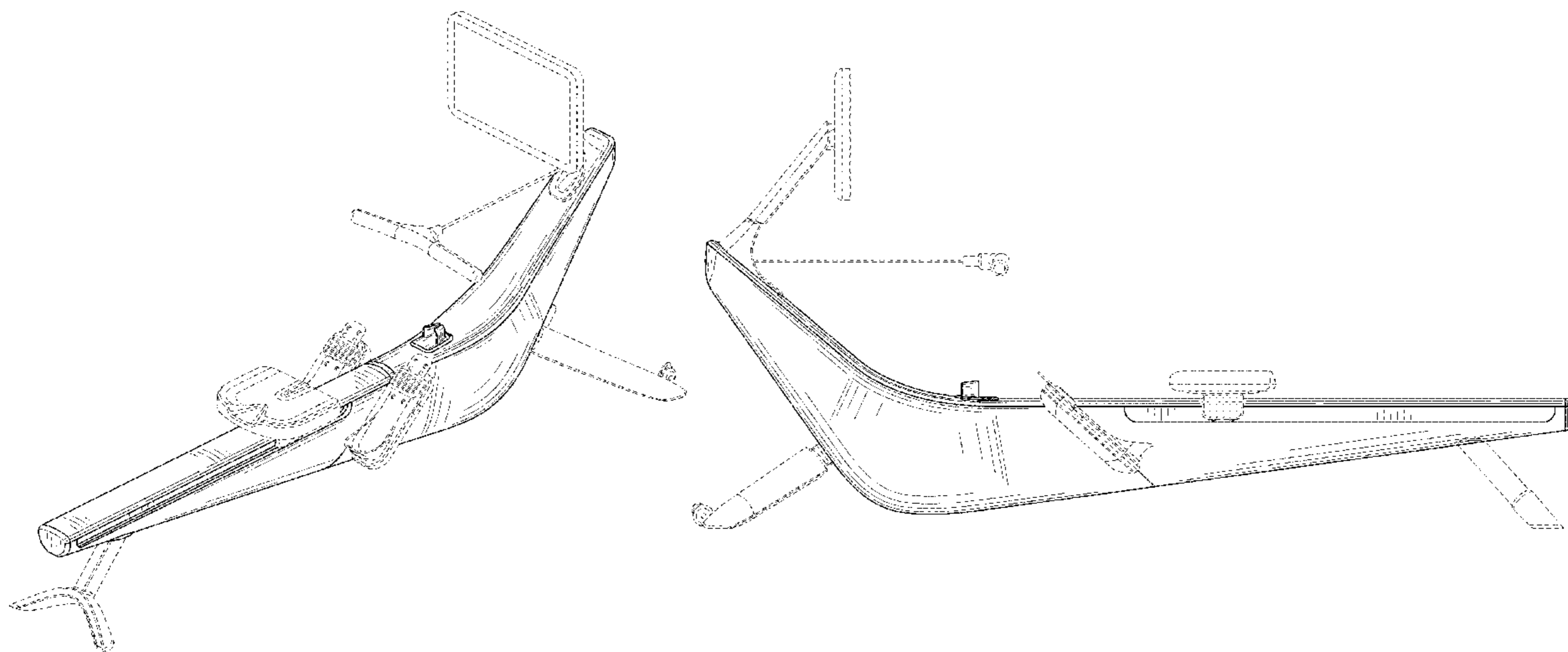
FIG. 6 is a top plan view thereof;

FIG. 7 is a bottom plan view thereof; and,

FIG. 8 is a rear perspective view thereof.

The evenly spaced dash-dash broken lines in the drawings illustrate the portions of the rowing machine that form no part of the claimed design.

**1 Claim, 8 Drawing Sheets**



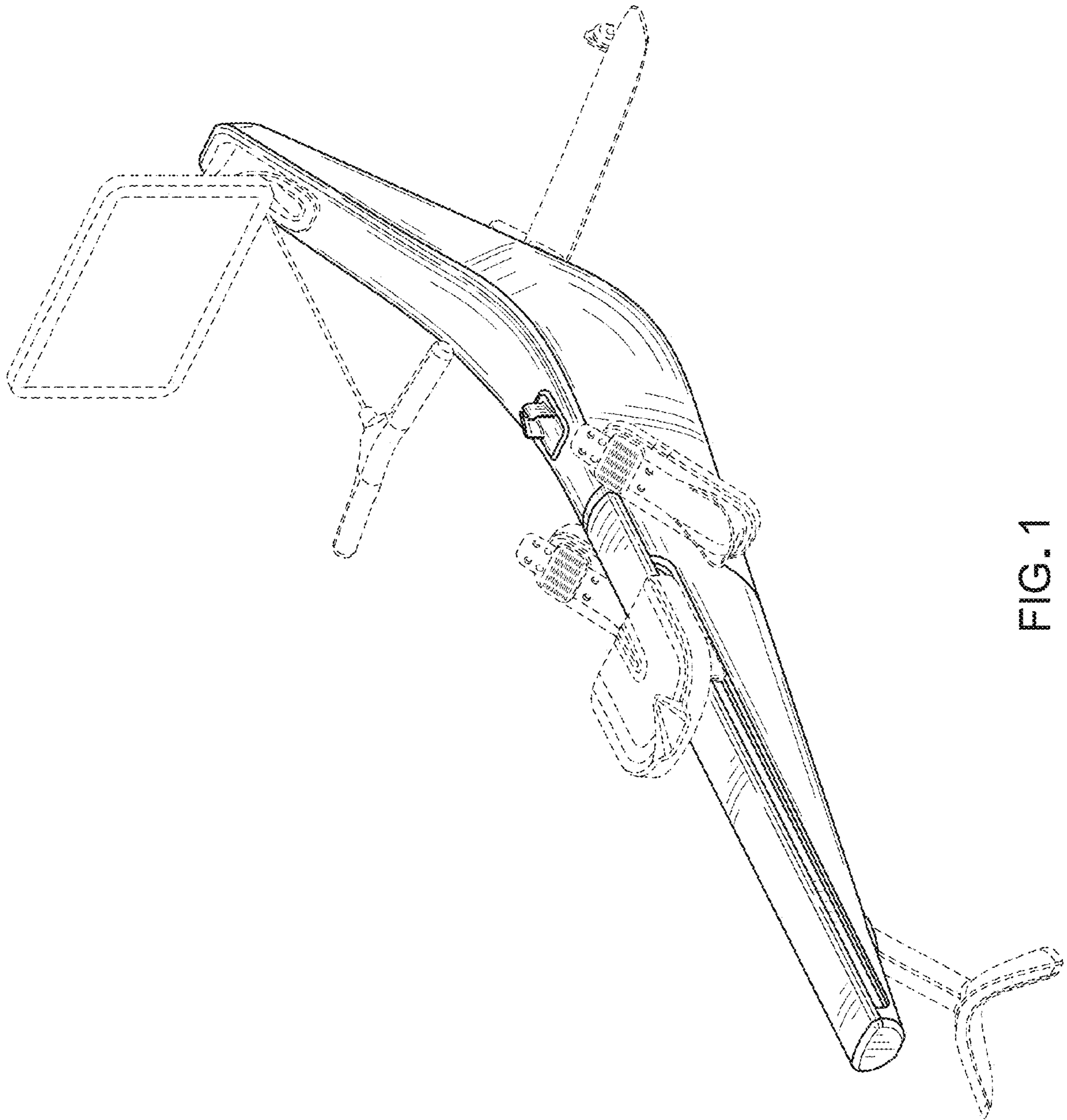


FIG. 1

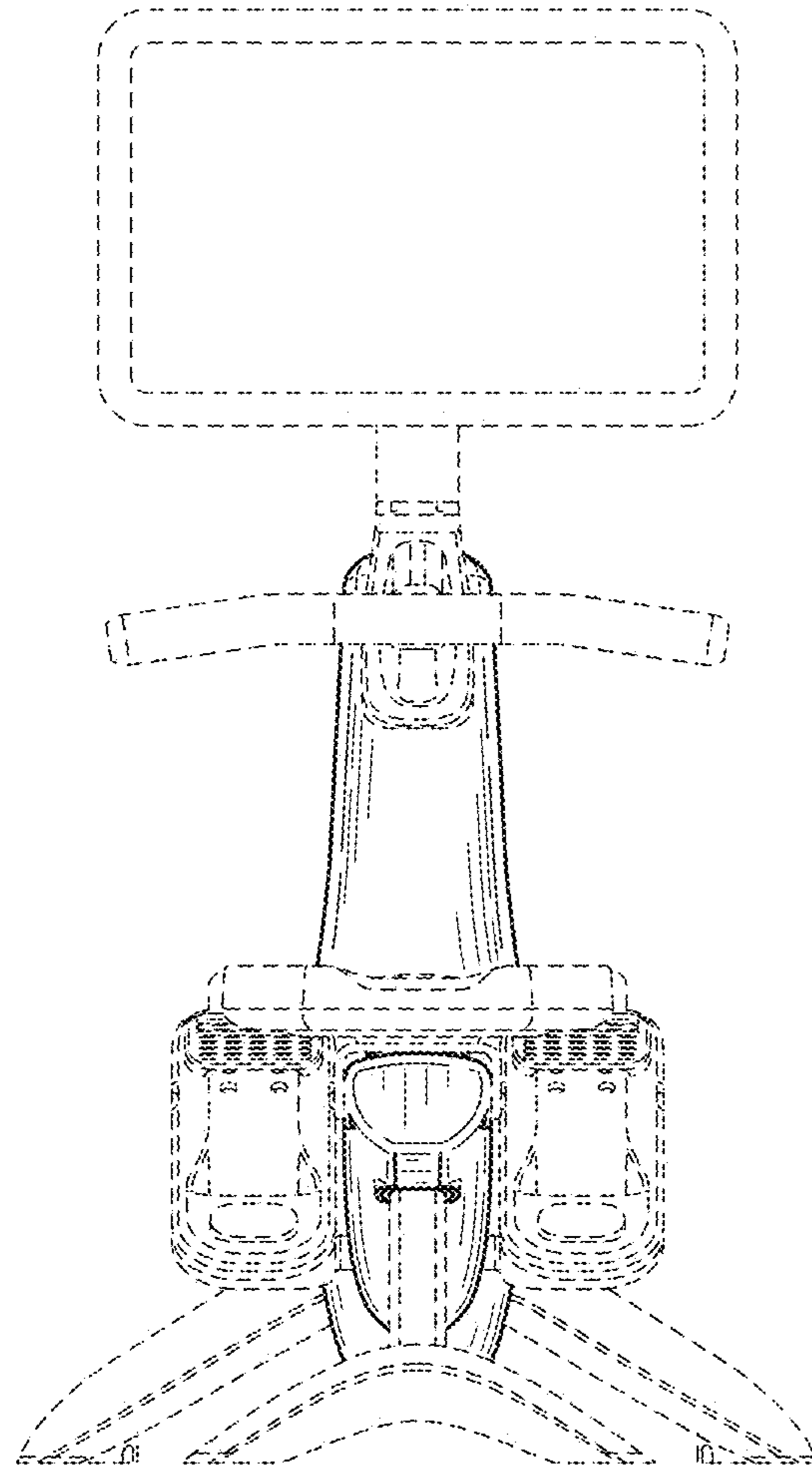


FIG. 2

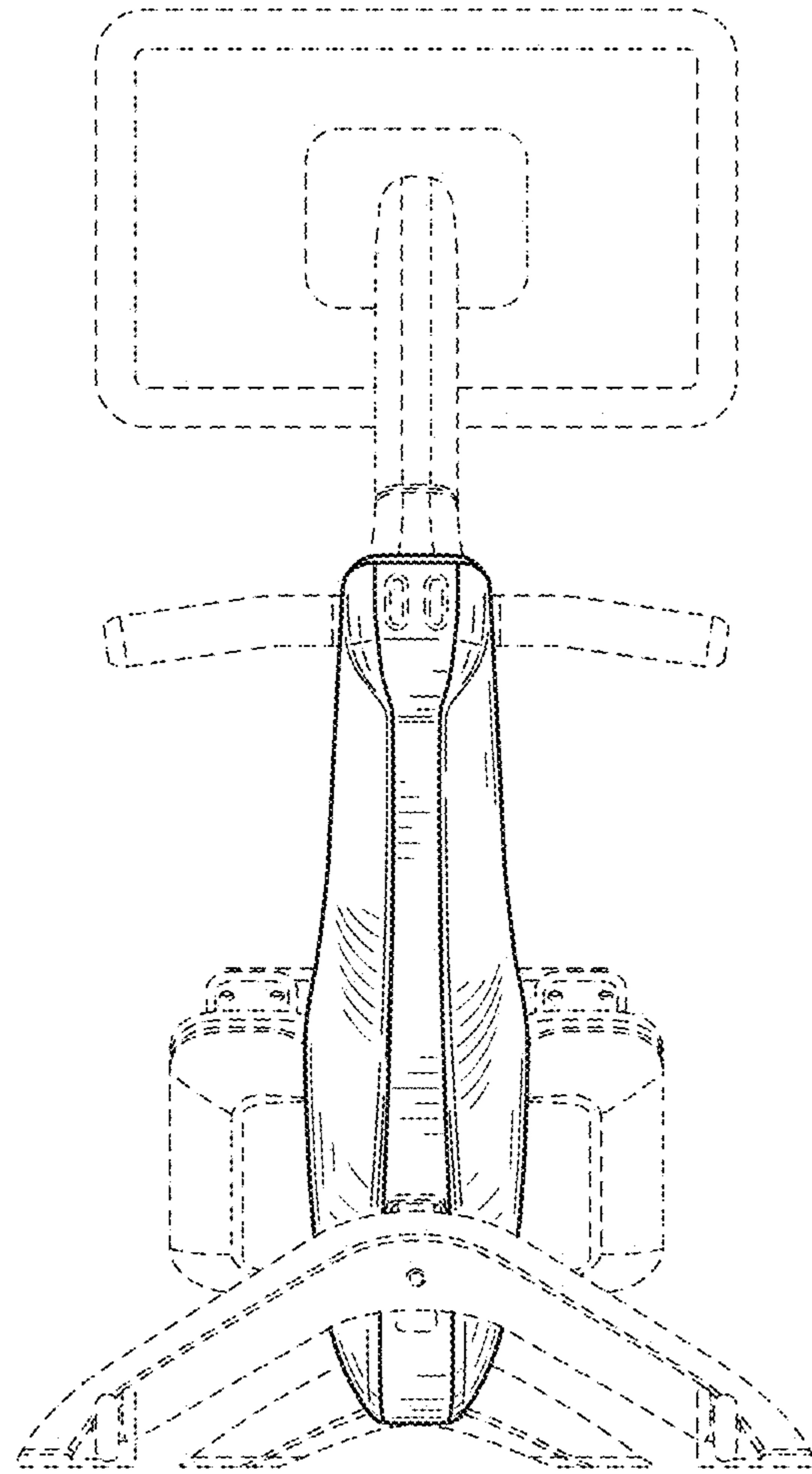


FIG. 3

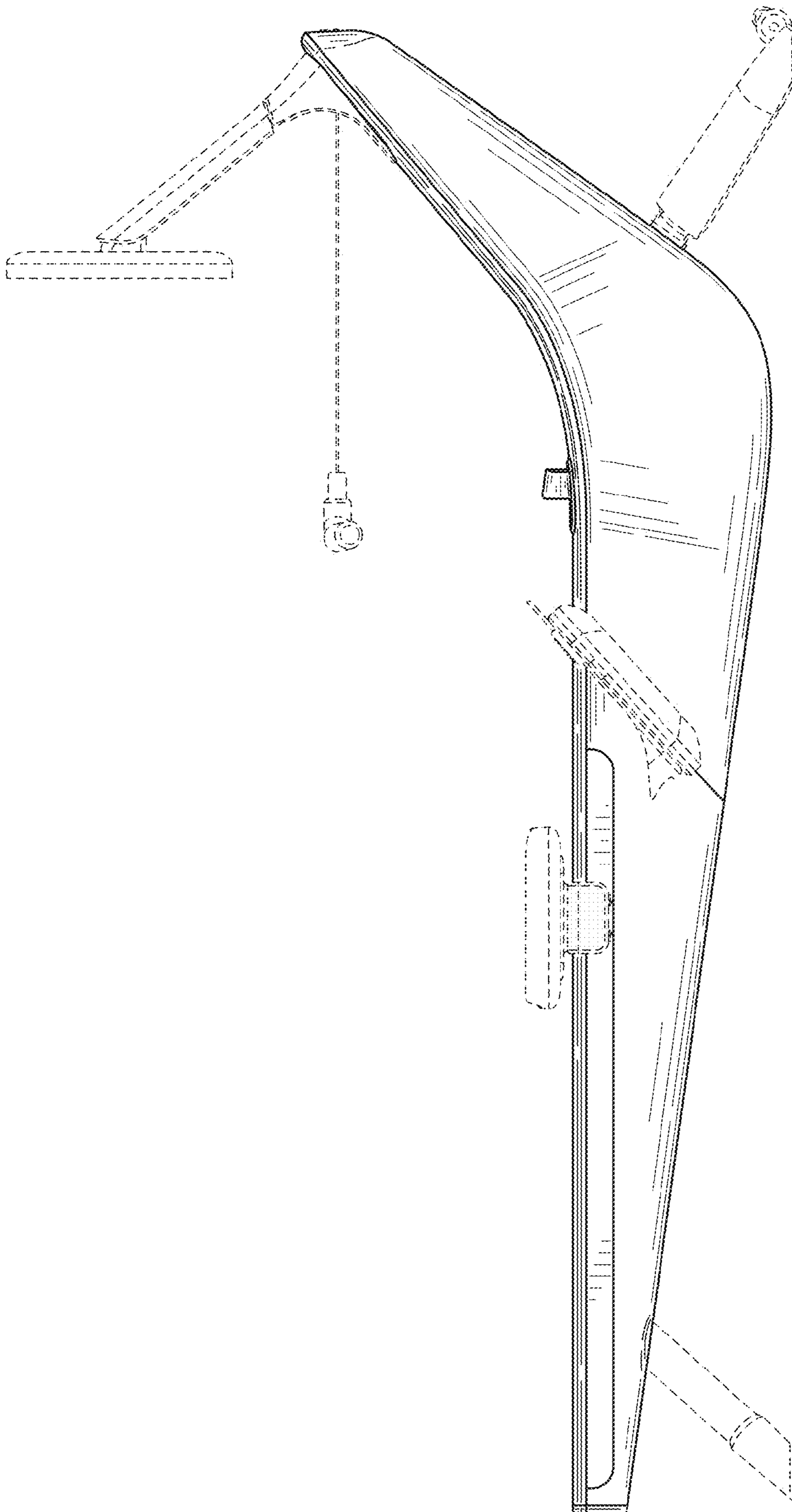


FIG. 4

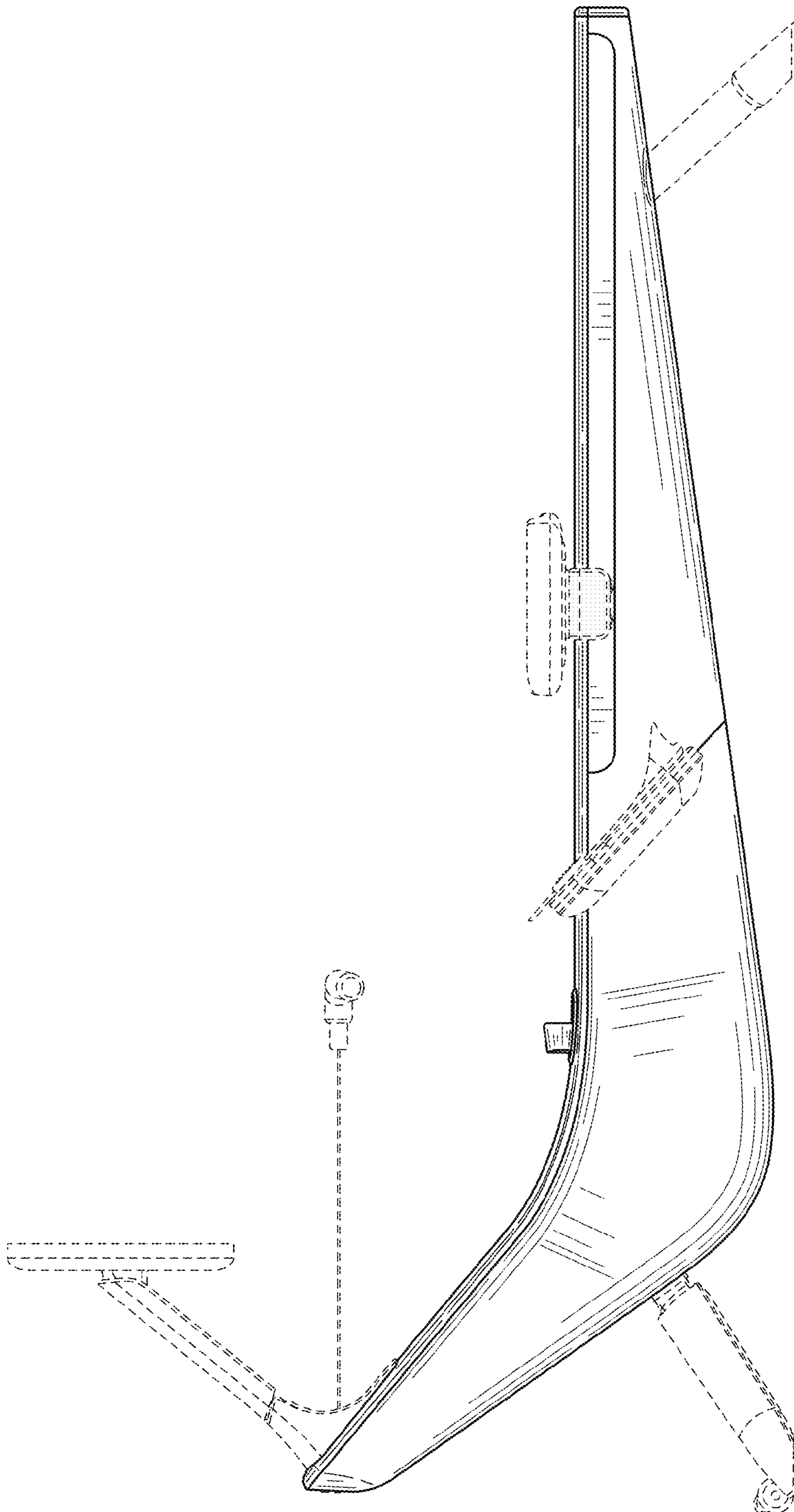


FIG. 5

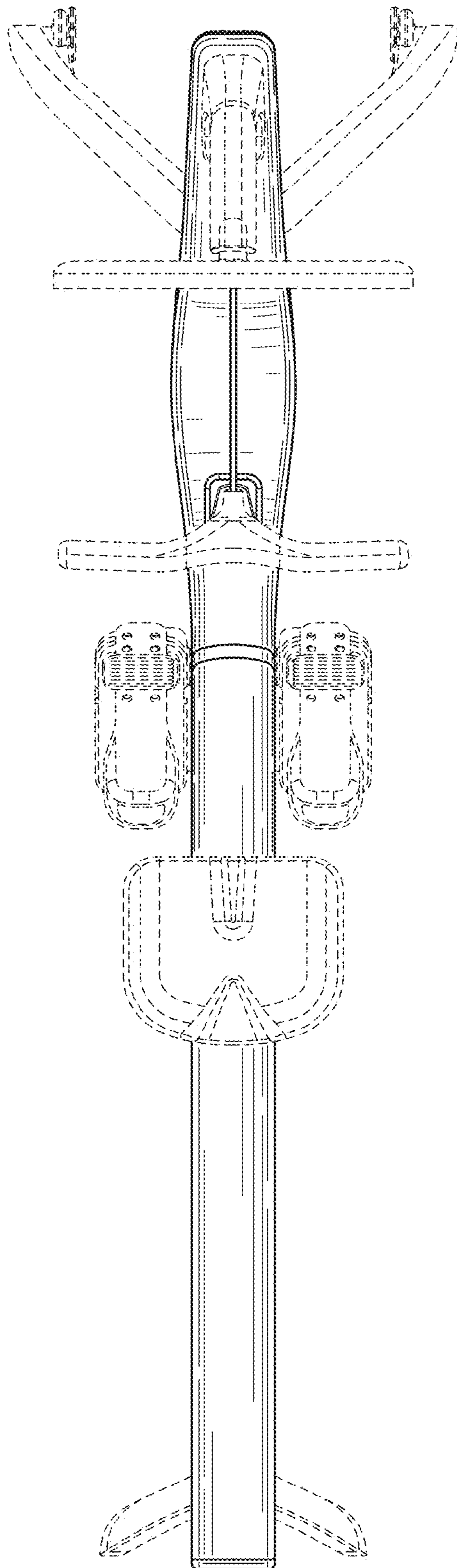


FIG. 6

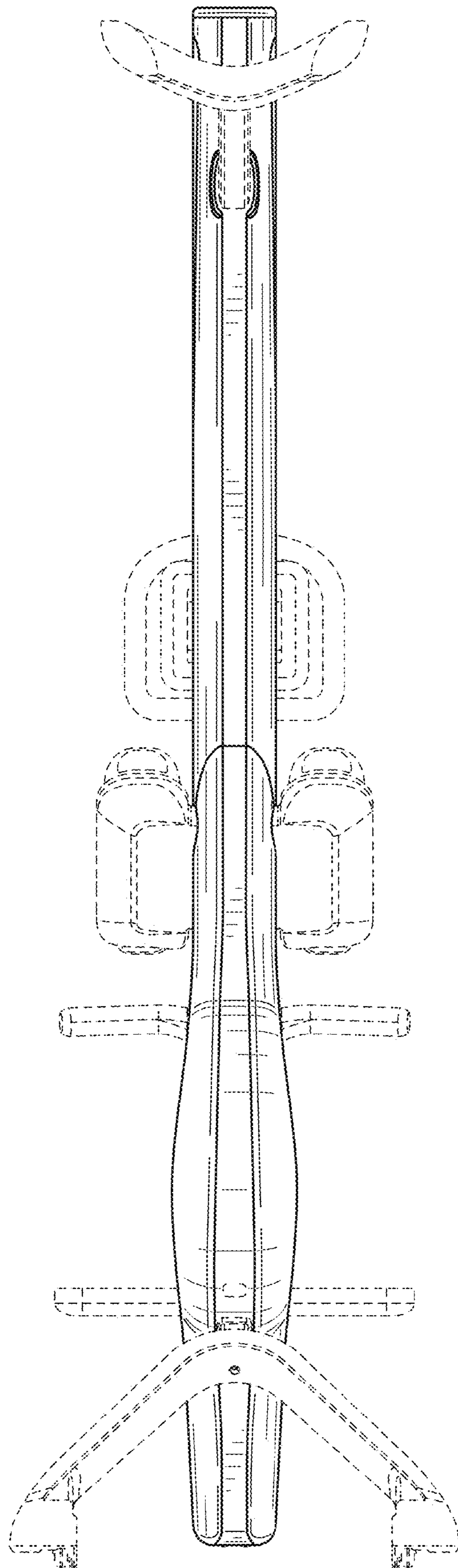


FIG. 7



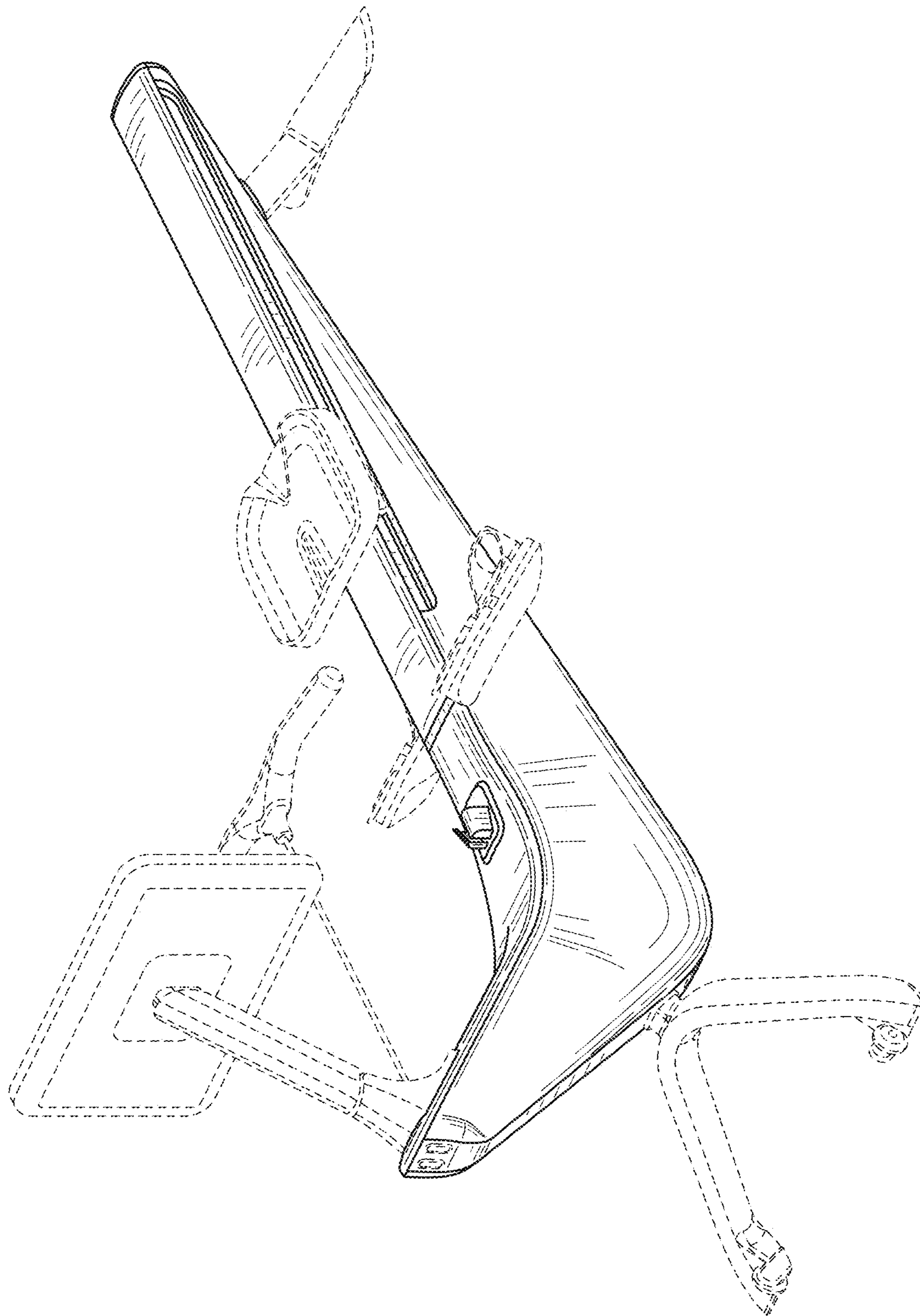


FIG. 8