



US00D898842S

(12) **United States Design Patent** (10) **Patent No.:** **US D898,842 S**
Corley (45) **Date of Patent:** **** Oct. 13, 2020**

(54) **YOGA EXERCISE BIND STRAP**

(71) Applicant: **Suzanne W Corley**, Olmstead Falls, OH (US)
(72) Inventor: **Suzanne W Corley**, Olmstead Falls, OH (US)
(**) Term: **15 Years**

(21) Appl. No.: **29/705,121**

(22) Filed: **Sep. 10, 2019**

(51) **LOC (12) Cl.** **21-02**

(52) **U.S. Cl.**
USPC **D21/662**

(58) **Field of Classification Search**

USPC D21/664, 673, 688, 662, 699, 705, 668, D21/769, 690, 788, 698, 534, 669, 302, D21/691, 681, 682, 800, 694, 686, 702, D21/676, 684, 775, 777, 692, 672; 482/122, 142, 123, 129, 128, 93, 106, 74, 482/121, 130, 71, 72, 95, 96, 68, 66, 41, 482/141, 100, 115, 49, 146, 147, 42, 51, 482/35, 38, 23, 904, 91, 28, 140, 907, 86, 482/83, 87, 90, 131, 902, 61, 65, 17, 52, 482/62, 107, 108, 54, 105, 133, 148, 92, 482/138, 12; 473/432, 445, 441, 197, 473/434, 438, 454, 478, 447, 422, 476; D12/317, 9, 6, 8, 130, 115, 114; 273/400, 407, 396; D8/3, 499, 107, 14; D11/87, 86, 80, 103, 2, 56, 93, 13; 16/430, 421; D26/49, 37; D24/107; 74/551.9; 59/82, 80; 24/658, 303
(Continued)

(56) **References Cited**

U.S. PATENT DOCUMENTS

2,122,372 A 6/1938 Hooper E02B 3/26 114/219
3,473,650 A * 10/1969 Roderick B65D 83/06 383/200

(Continued)

OTHER PUBLICATIONS

Yoga by Yoga Bind Bar dated no date given. Found online [Jul. 14, 2020] <https://www.yogabindbar.com/>.*

Primary Examiner — Ryan Harvey

(74) *Attorney, Agent, or Firm* — David A. Burge

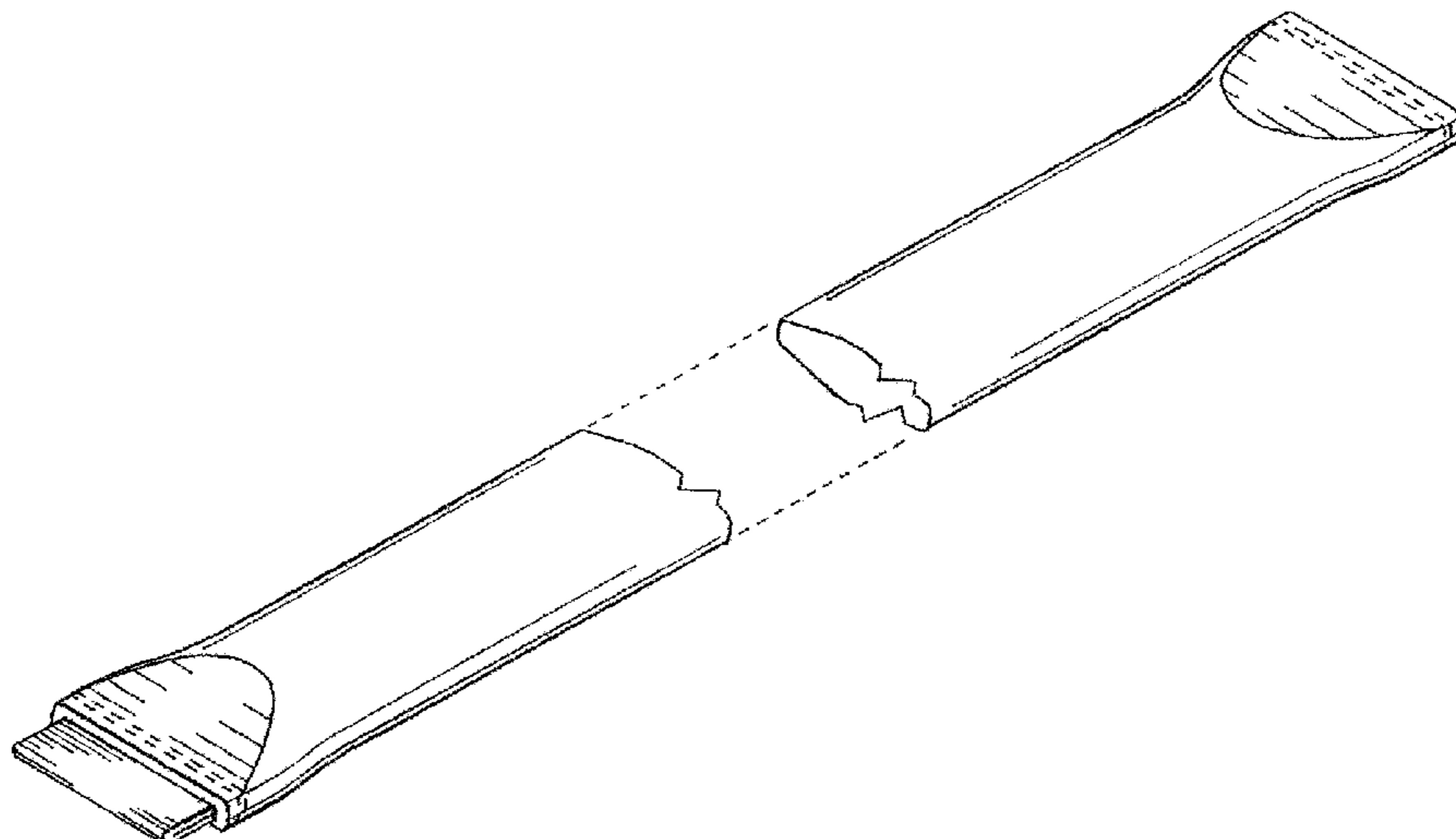
(57) **CLAIM**

I claim the ornamental design for a yoga exercise bind strap, as shown and described.

DESCRIPTION

FIG. 1 is a front, top and left end perspective view showing a first embodiment of my new design;
FIG. 2 is a top view thereof;
FIG. 3 is a front view thereof, it being understood that a rear view thereof is identical hereto;
FIG. 4 is a bottom view thereof which is identical to the top view of FIG. 2;
FIG. 5 is a left end view thereof;
FIG. 6 is a right end view thereof;
FIG. 7 is a front, top and left end perspective view showing a second embodiment of my new design;
FIG. 8 is a top view thereof;
FIG. 9 is a front view thereof;
FIG. 10 is a bottom view thereof which IS NOT identical to the top view of FIG. 8;
FIG. 11 is a left end view thereof; and,
FIG. 12 is a right end view thereof.
The closely spaced pairs of broken lines that extend transversely across the end regions of the article represent stitching and form no part of the claim.
The claimed design is shown with a symbolic break in its length. The appearance of any portion of the article between the break lines forms no part of the claimed design.

1 Claim, 4 Drawing Sheets



(58) **Field of Classification Search**

CPC A63B 21/0552; A63B 21/00069; A63B
21/4035; A63B 21/0557; A63B 21/0442;
A63B 2208/0204; A63B 21/4043; A63B
23/12; A63B 21/0004

See application file for complete search history.

(56) **References Cited**

U.S. PATENT DOCUMENTS

3,510,130 A 5/1970 Ferdinand 482/46
D257,200 S 10/1980 LaRocca D05/645
4,345,757 A 8/1982 Lo Voi A63B 21/00
482/132
D271,051 S 10/1983 McCoy et al. D24/211
D280,434 S 9/1985 McManaway D24/211
4,643,417 A 2/1987 Nieman A63B 5/00
482/46
4,860,929 A * 8/1989 Lowe A47G 21/004
99/323
4,928,632 A 5/1990 Gordon A01K 29/00
119/29.5
D340,527 S 10/1993 Goodell D24/211
5,431,610 A 7/1995 Miller A63B 23/03
482/11
D378,626 S * 3/1997 Hall D32/35
D384,158 S 9/1997 Kain D24/215
D398,400 S 9/1998 Havelind D24/211
D405,536 S 2/1999 Haynes D24/214
D416,427 S 11/1999 Pecora et al. D06/601
6,014,950 A 1/2000 Rogers A01K 29/00
119/710
6,517,877 B2 2/2003 Gannon A23K 1/00
426/94
6,638,549 B1 * 10/2003 Lloyd B65D 75/12
426/115
D485,399 S 1/2004 Nazimek D30/160
D494,006 S 8/2004 Zemel D07/395
D494,807 S 8/2004 Zemel D07/393

6,769,436 B2 8/2004 Horian A24F 47/002
131/273
6,994,055 B1 * 2/2006 Bell A01K 15/026
119/709
D528,709 S 9/2006 Nazimek D30/160
D528,857 S 9/2006 Zemel D07/395
D550,504 S 9/2007 Zemel D07/395
D554,208 S 10/2007 Palazek D21/662
D572,068 S 7/2008 Lin D06/582
D597,263 S 7/2009 Nazimek D30/160
7,578,775 B2 8/2009 Terry A63B 21/0004
482/126
D609,048 S 2/2010 Yeh D07/387
D629,978 S 12/2010 Nazimek D30/160
D648,807 S 11/2011 Butler D21/398
D670,455 S 11/2012 Lipscomb D30/160
D677,652 S 3/2013 Gifford D14/217
8,387,216 B1 3/2013 Martinson B65D 63/02
24/30.5
D686,374 S 7/2013 Nazimek D30/160
D686,375 S 7/2013 Nazimek D30/160
D696,414 S 12/2013 Tabe et al. D24/215
8,776,322 B2 7/2014 Martinson B65D 63/02
24/30.5
D712,563 S 9/2014 Pursel et al. D24/214
D718,062 S 11/2014 Hirata D06/300
D727,437 S * 4/2015 Padilla D21/439
D732,888 S 6/2015 Rose D07/395
D733,226 S 6/2015 Abbate D21/679
D734,063 S 7/2015 Evert et al. D06/588
9,101,114 B2 8/2015 Lipscomb A01K 15/024
119/711
D779,598 S 2/2017 Corley D21/662
D794,141 S 8/2017 Corley D21/662
D863,720 S * 10/2019 Walberg-ONeil ... C12H 1/0408
D1/199
D868,397 S * 11/2019 Steinkraus D30/160
2004/0250346 A1 12/2004 Vasisht 5/417
2007/0275827 A1 11/2007 Glaser 482/23
2014/0259399 A1 9/2014 Tsai 434/362
2014/0295983 A1 10/2014 Nooner 473/233

* cited by examiner

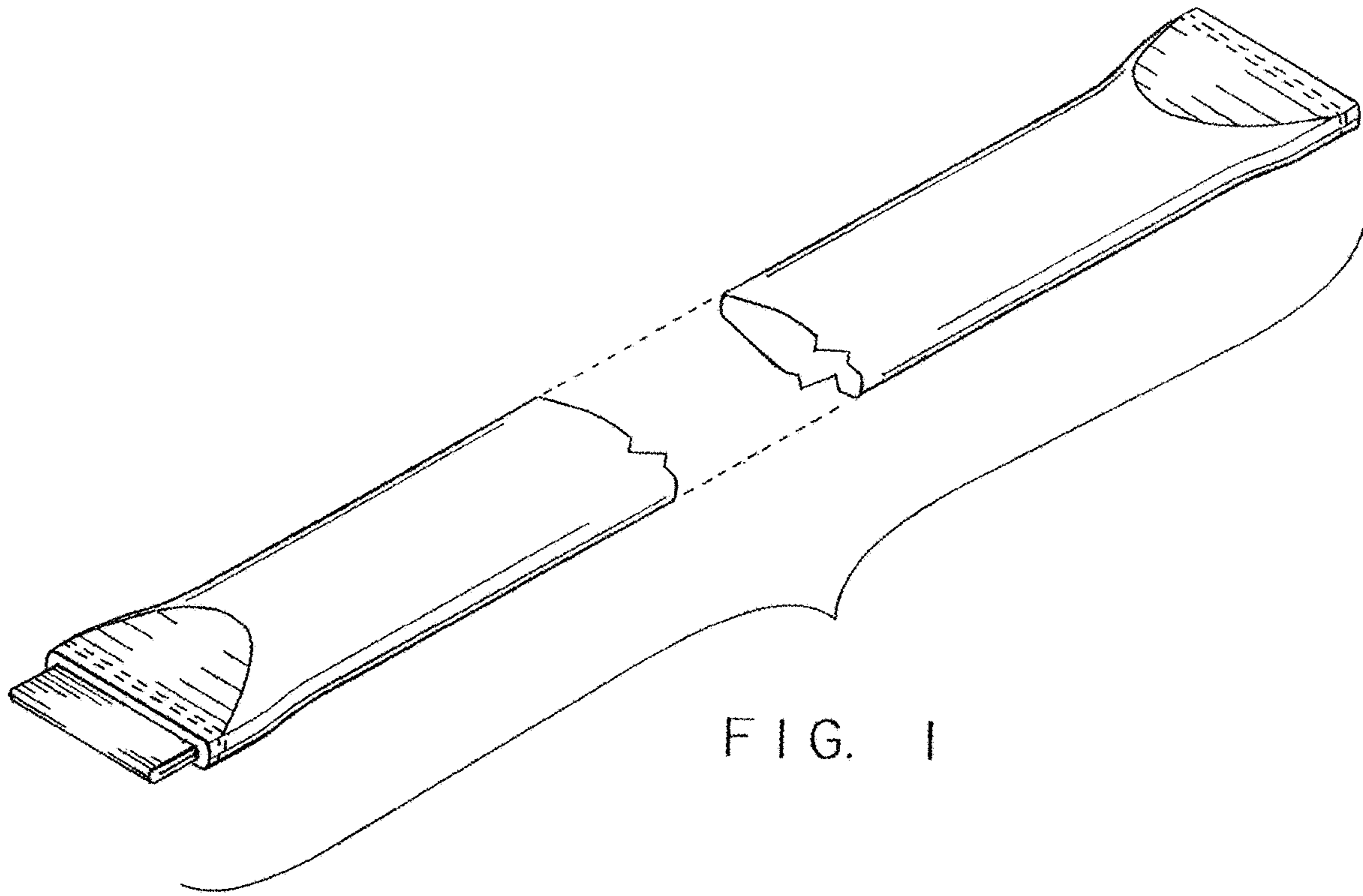


FIG. 1

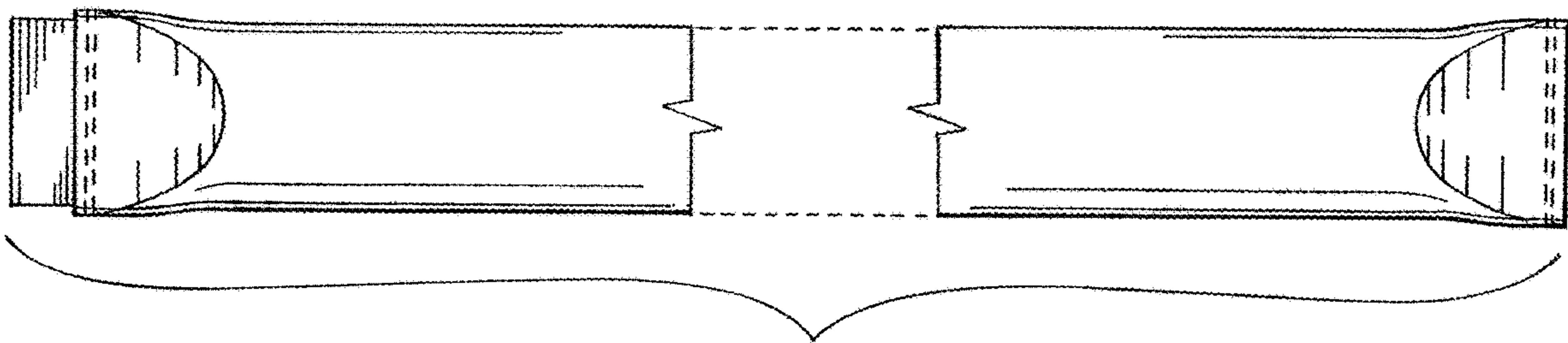


FIG. 2

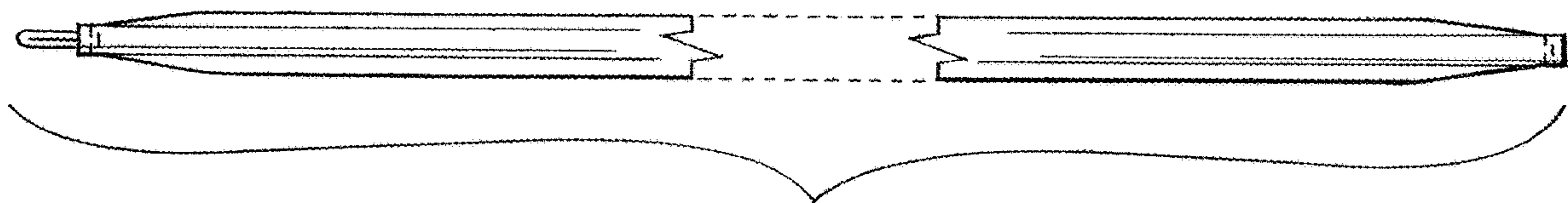


FIG. 3

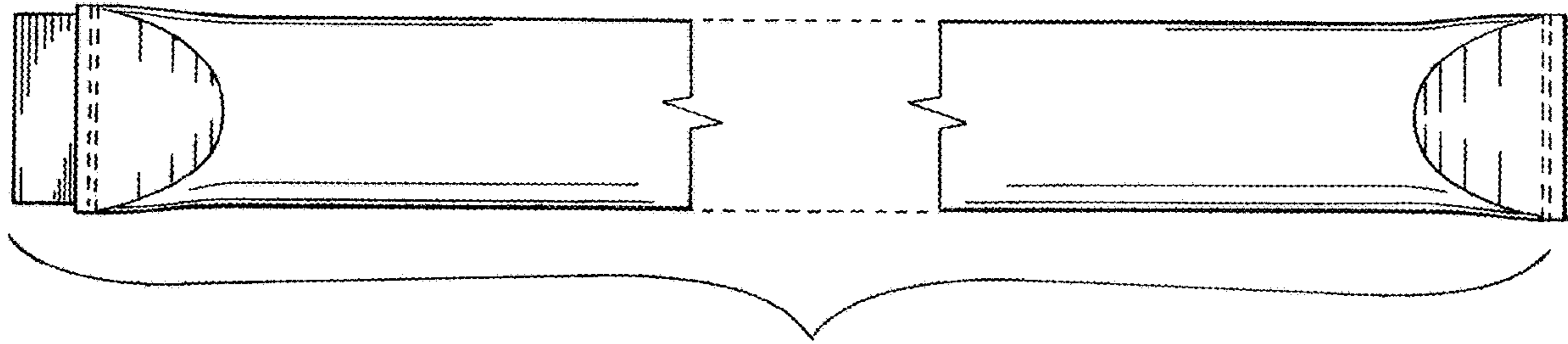


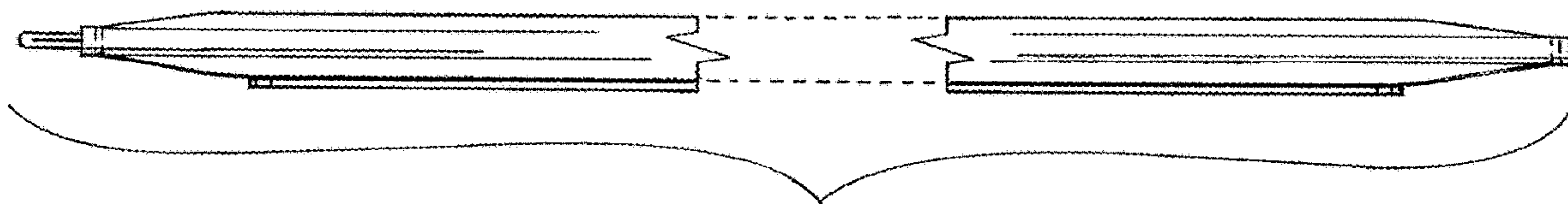
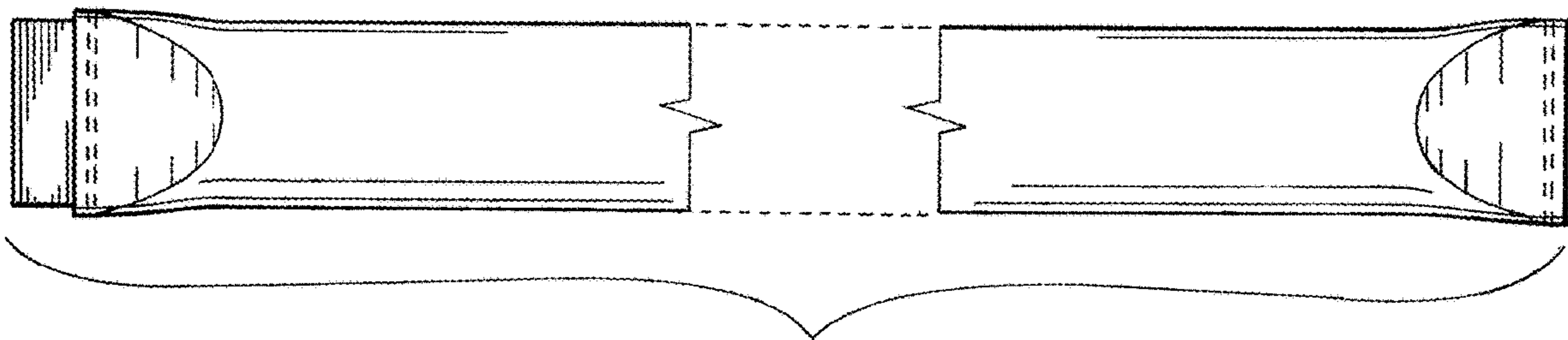
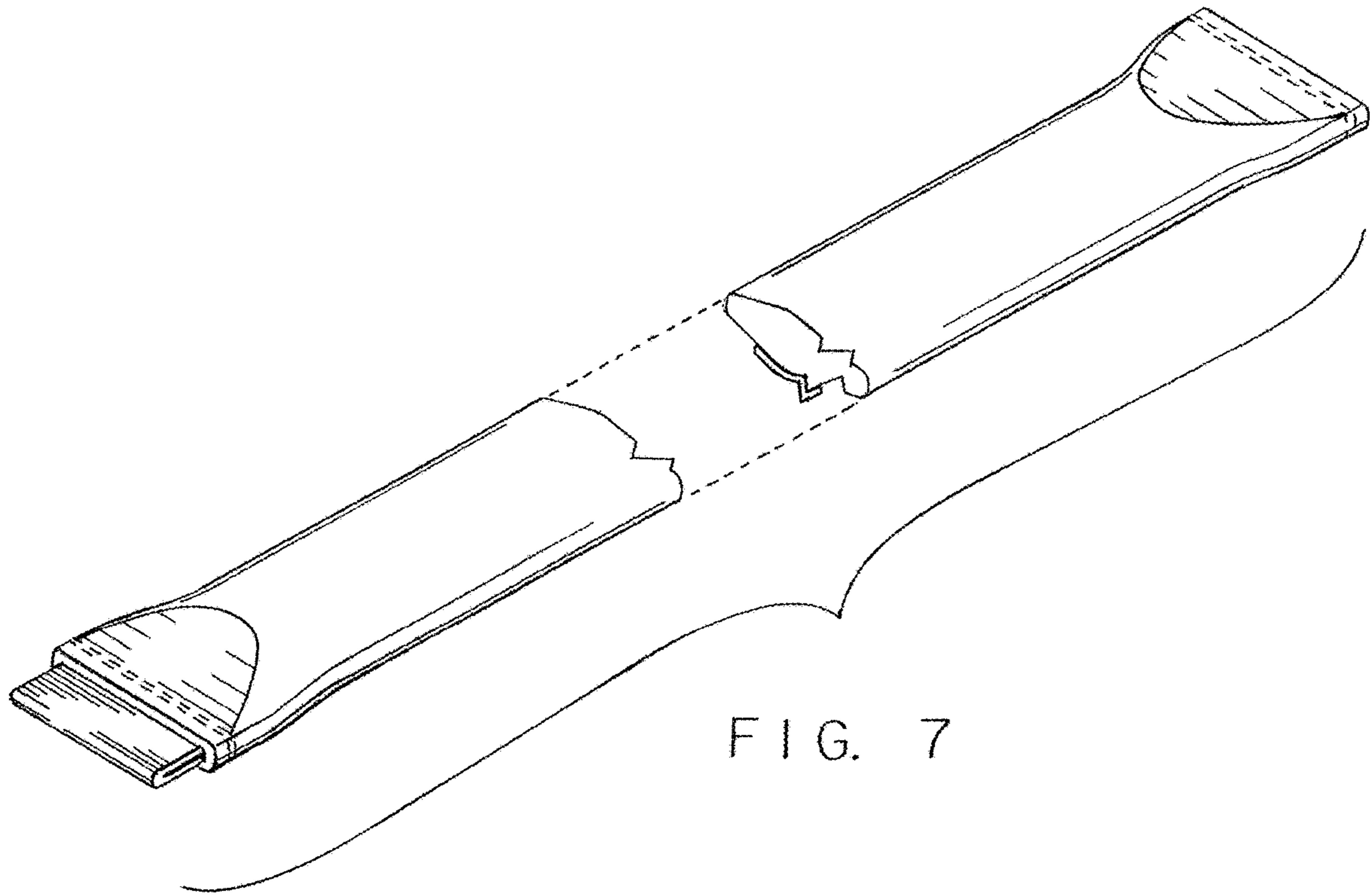
FIG. 4



FIG. 5



FIG. 6



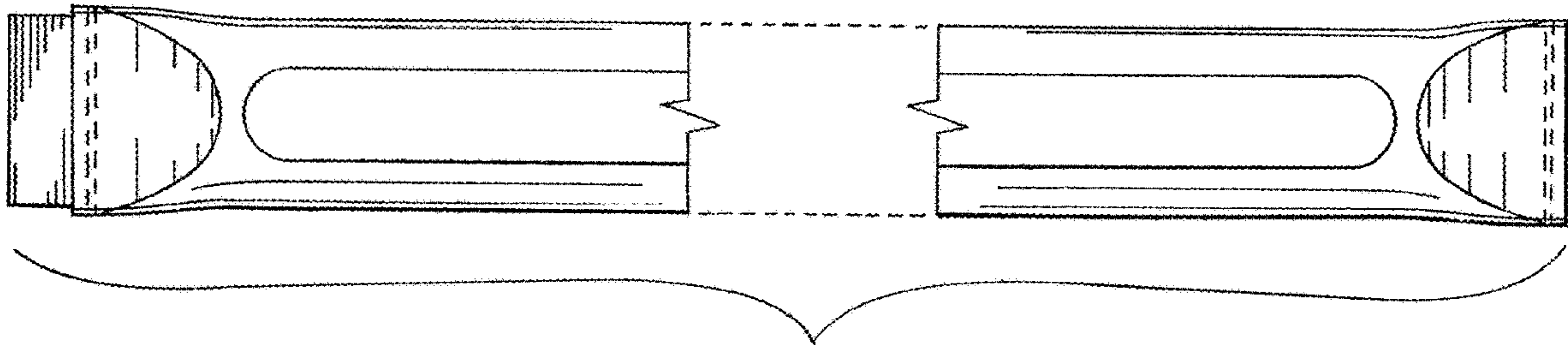


FIG. 10



FIG. 11



FIG. 12