



US00D898841S

(12) **United States Design Patent**  
**Chiu**

(10) **Patent No.:** **US D898,841 S**

(45) **Date of Patent:** **\*\* Oct. 13, 2020**

(54) **EXERCISING APPARATUS**

(71) Applicant: **BODY ACTION ENTERPRISE CO., LTD.**, Taichung (TW)

(72) Inventor: **Yung-Chi Chiu**, Taichung (TW)

(73) Assignee: **BODY ACTION ENTERPRISE CO., LTD.**, Taichung (TW)

(\*\*) Term: **15 Years**

(21) Appl. No.: **29/675,887**

(22) Filed: **Jan. 7, 2019**

(30) **Foreign Application Priority Data**

Jul. 10, 2018 (TW) ..... 107303964

(51) **LOC (12) Cl.** ..... **21-02**

(52) **U.S. Cl.**  
USPC ..... **D21/662**

(58) **Field of Classification Search**  
USPC ..... D21/399, 412, 443, 662, 671, 683, 685,  
D21/686, 687, 688, 689, 694, 698, 798;  
D24/171, 200, 211, 231  
CPC ..... A61H 2203/0406; A61H 15/00; A61H  
2015/0042; A61H 2201/1623; A61H  
39/02; A63B 21/4037; A63B 22/16; A63B  
22/18

See application file for complete search history.

(56) **References Cited**

**U.S. PATENT DOCUMENTS**

D375,985 S \* 11/1996 Dailey ..... D21/412  
D398,671 S \* 9/1998 Videtto ..... D21/662  
D405,135 S \* 2/1999 Scott ..... D21/688  
5,897,474 A \* 4/1999 Romero ..... A63B 22/14  
446/396  
D415,224 S \* 10/1999 Broudy ..... D21/688  
D446,264 S \* 8/2001 Fischer ..... D21/662  
D483,084 S \* 12/2003 Gvoich ..... D21/671

D519,172 S \* 4/2006 Penat ..... D21/671  
D601,643 S \* 10/2009 Byle ..... D21/662  
D612,896 S \* 3/2010 Talley ..... D21/686  
D626,607 S \* 11/2010 Kim ..... D21/671  
D627,015 S \* 11/2010 Senegal ..... D21/662  
D634,377 S \* 3/2011 Byle ..... D21/662  
D680,599 S \* 4/2013 Orenstein ..... D21/671  
D681,138 S \* 4/2013 Hodgkins ..... D21/671  
D685,038 S \* 6/2013 Crain ..... D21/662  
D695,367 S \* 12/2013 Lovegrove ..... D21/671  
D717,381 S \* 11/2014 Orenstein ..... D21/671  
D738,444 S \* 9/2015 Hilson ..... D21/662  
D740,381 S \* 10/2015 Heath ..... D21/688  
D776,769 S \* 1/2017 Heath ..... D21/688  
D804,590 S \* 12/2017 Hillson ..... D21/671  
D805,590 S \* 12/2017 Heath ..... D21/688  
D806,189 S \* 12/2017 Failing ..... D21/688  
D806,190 S \* 12/2017 Failing ..... D21/688  
D822,774 S \* 7/2018 Strong Crawley ..... D21/671

(Continued)

*Primary Examiner* — Cynthia Ramirez

*Assistant Examiner* — Michael A Maharajh

(74) *Attorney, Agent, or Firm* — CKC & Partners Co., LLC

(57) **CLAIM**

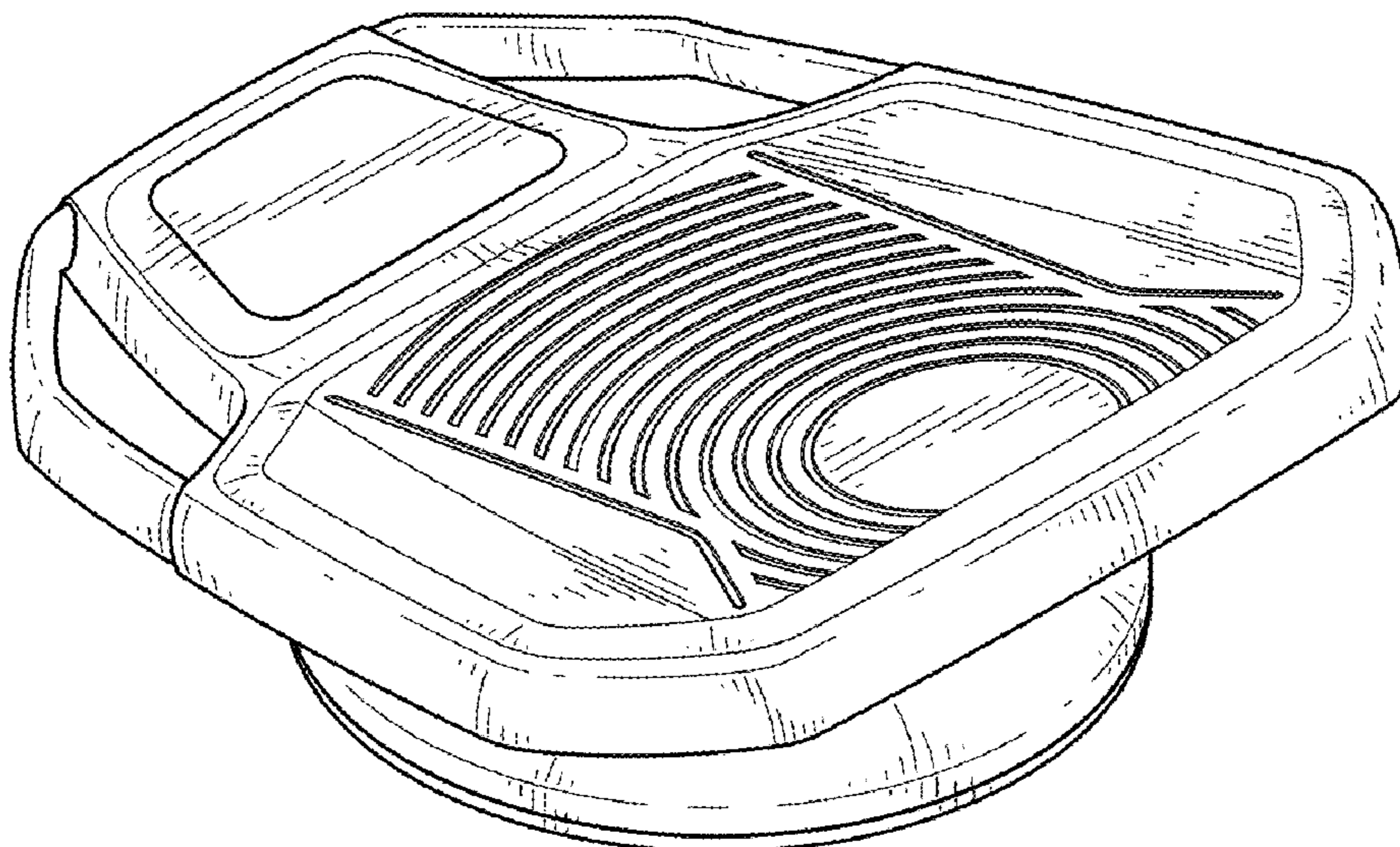
The ornamental design for an exercising apparatus, as shown and described.

**DESCRIPTION**

FIG. 1 is a perspective view of an exercising apparatus showing my new design;  
FIG. 2 is a front view thereof;  
FIG. 3 is a back view thereof;  
FIG. 4 is a left side view thereof;  
FIG. 5 is a right side view thereof;  
FIG. 6 is a top view thereof; and,  
FIG. 7 is a bottom view thereof.

The broken lines shown in the figures are for the purpose of illustrating portions of the exercising apparatus, which form no part of the claimed design.

**1 Claim, 4 Drawing Sheets**



(56)

**References Cited**

U.S. PATENT DOCUMENTS

D825,696	S *	8/2018	Mercenari Uribe .....	D21/671
D827,060	S *	8/2018	Holland .....	D21/686
D831,134	S *	10/2018	Hillson .....	D21/686
D843,515	S *	3/2019	Agostini .....	D21/688
D847,358	S *	4/2019	Matsushita .....	D24/200
D851,187	S *	6/2019	Leier .....	D21/694
D865,195	S *	10/2019	Matsushita .....	D24/200
D875,194	S *	2/2020	Zhou .....	D21/688
2006/0105895	A1 *	5/2006	Lu .....	A63B 21/0004 482/146
2007/0111862	A1 *	5/2007	Lockett .....	A63B 21/0004 482/51

\* cited by examiner

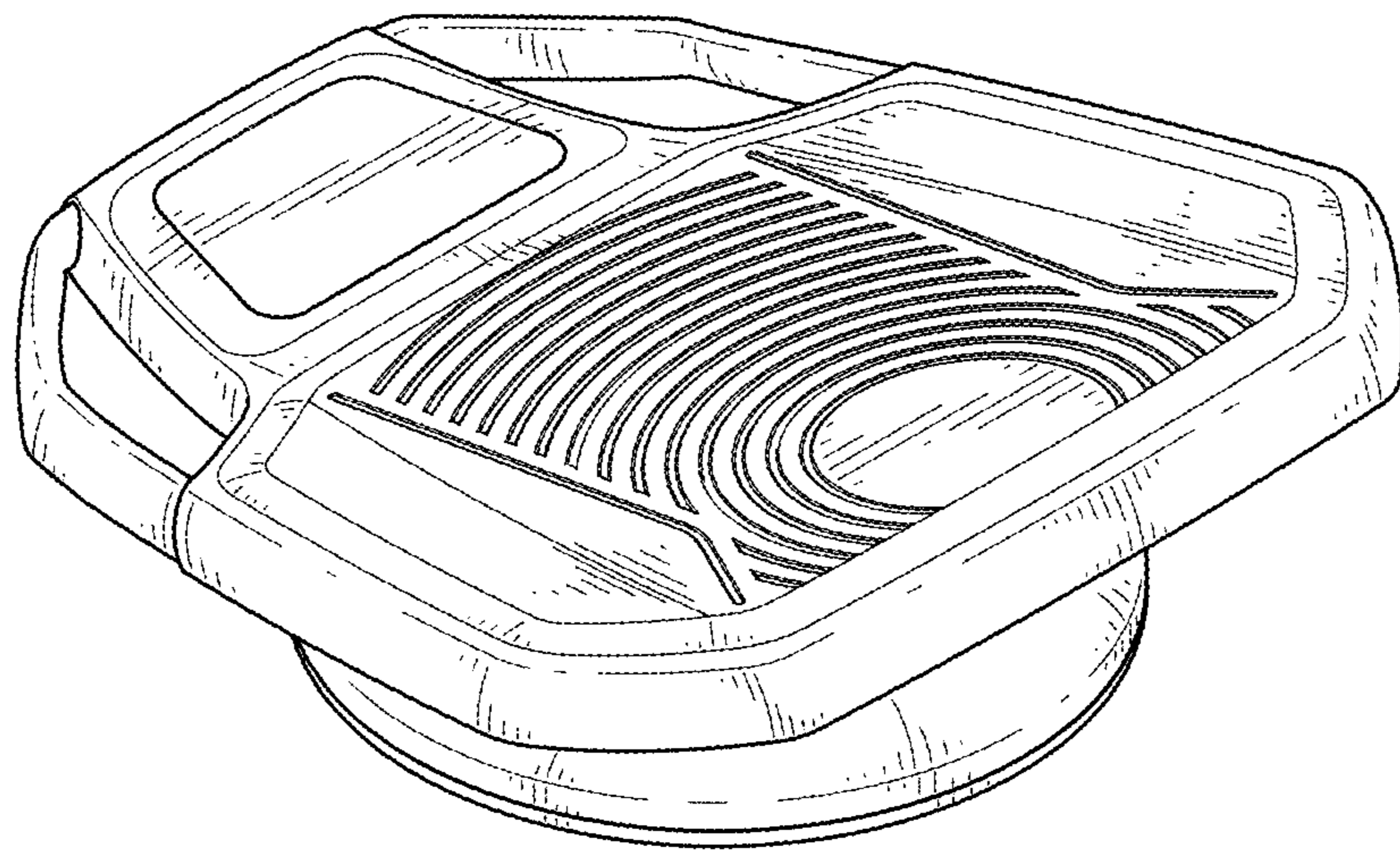


Fig. 1

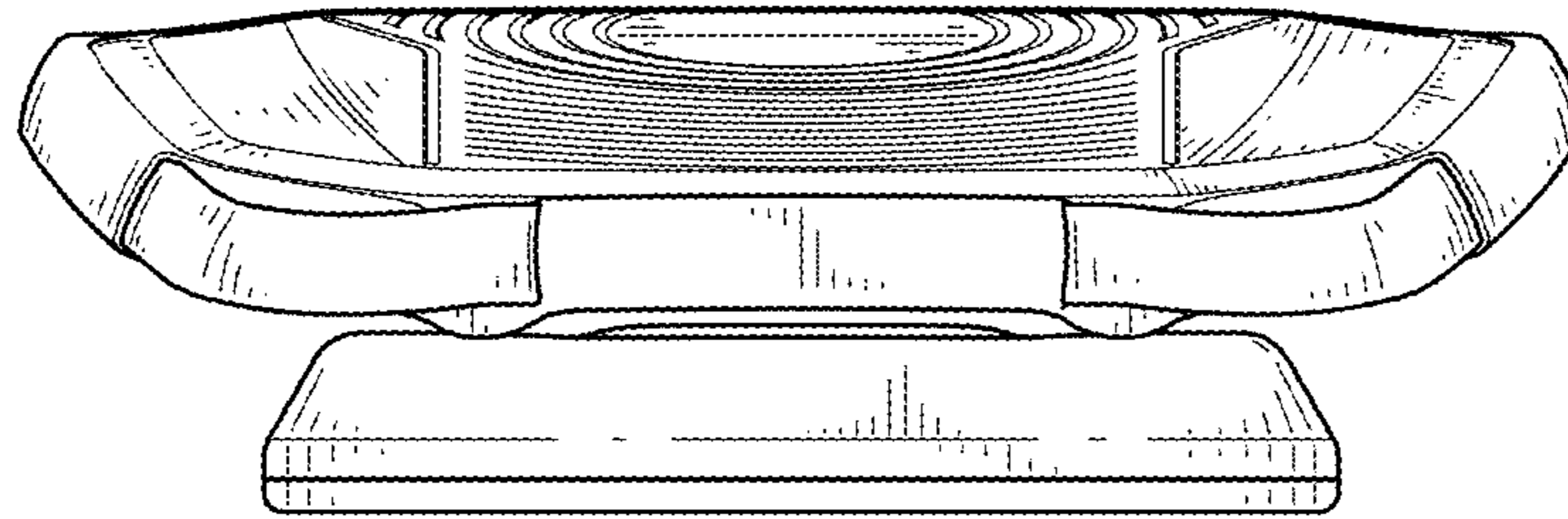


Fig. 2

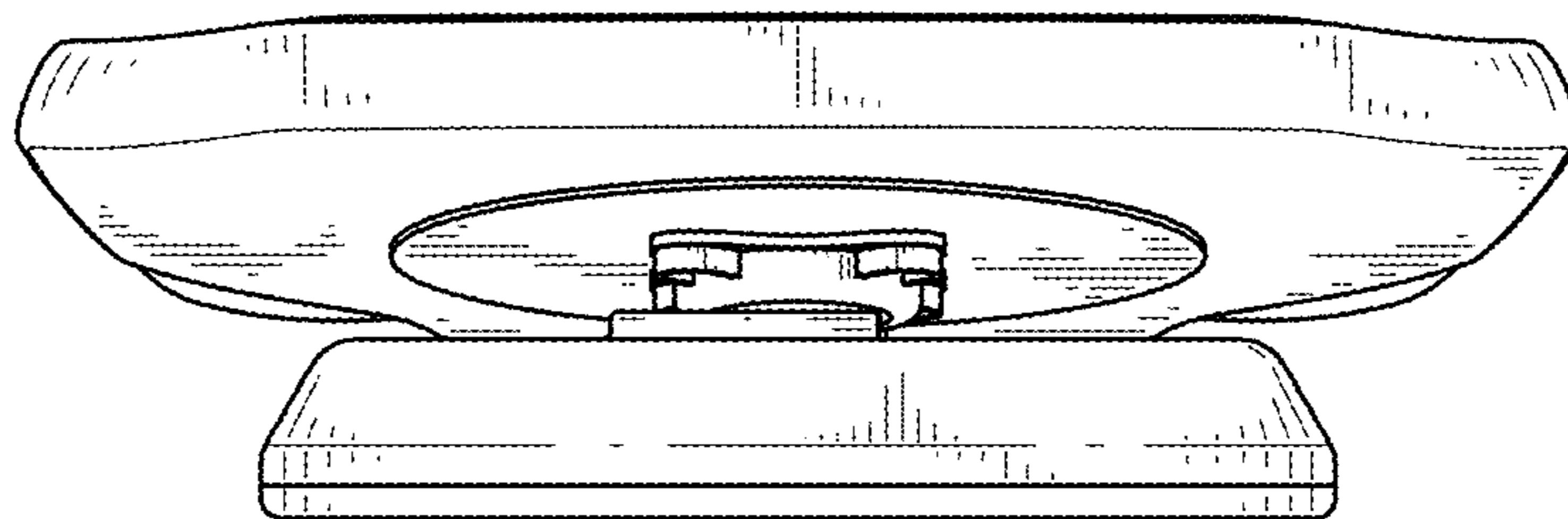


Fig. 3



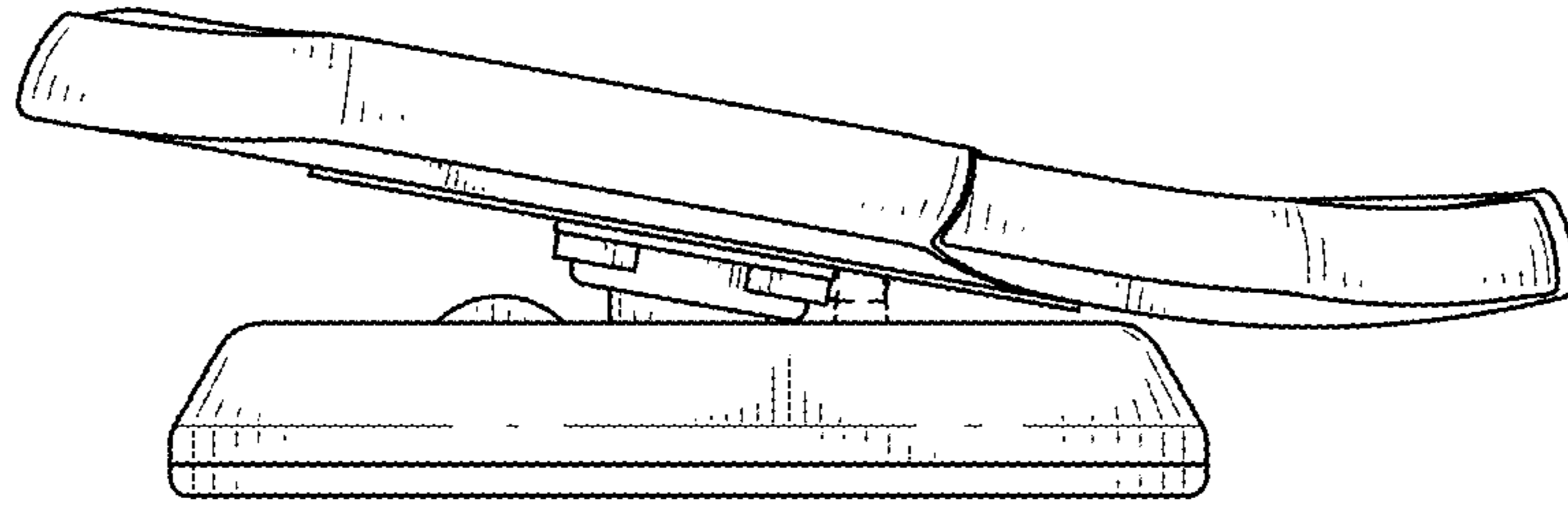


Fig. 4

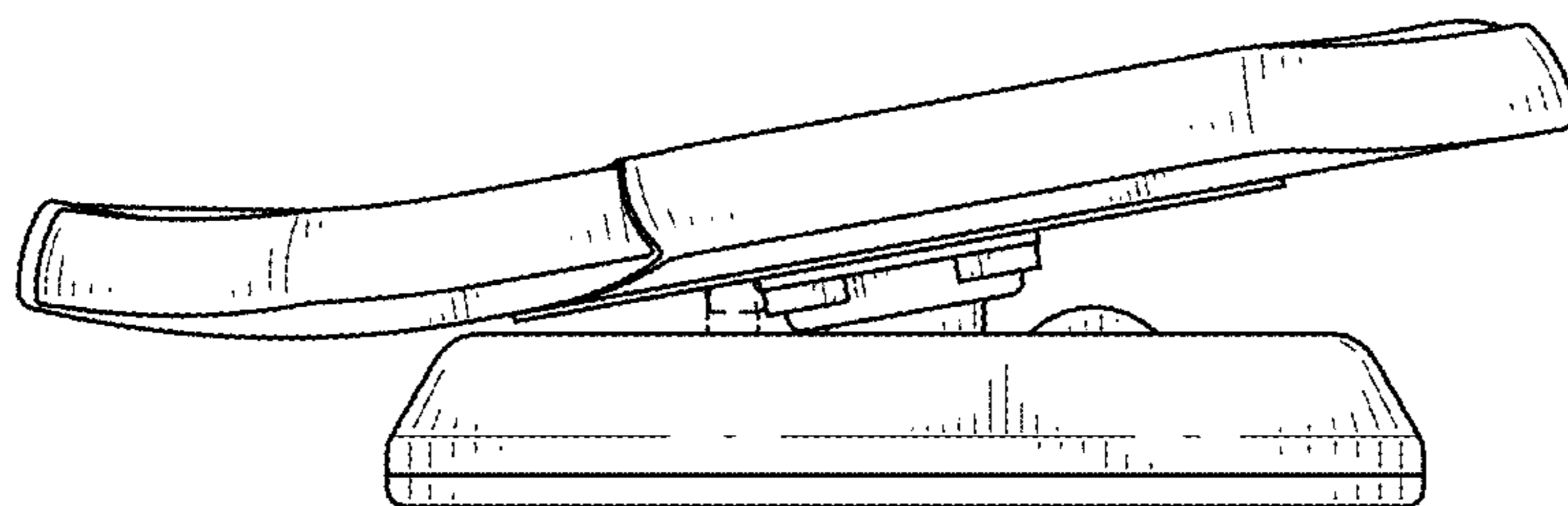


Fig. 5

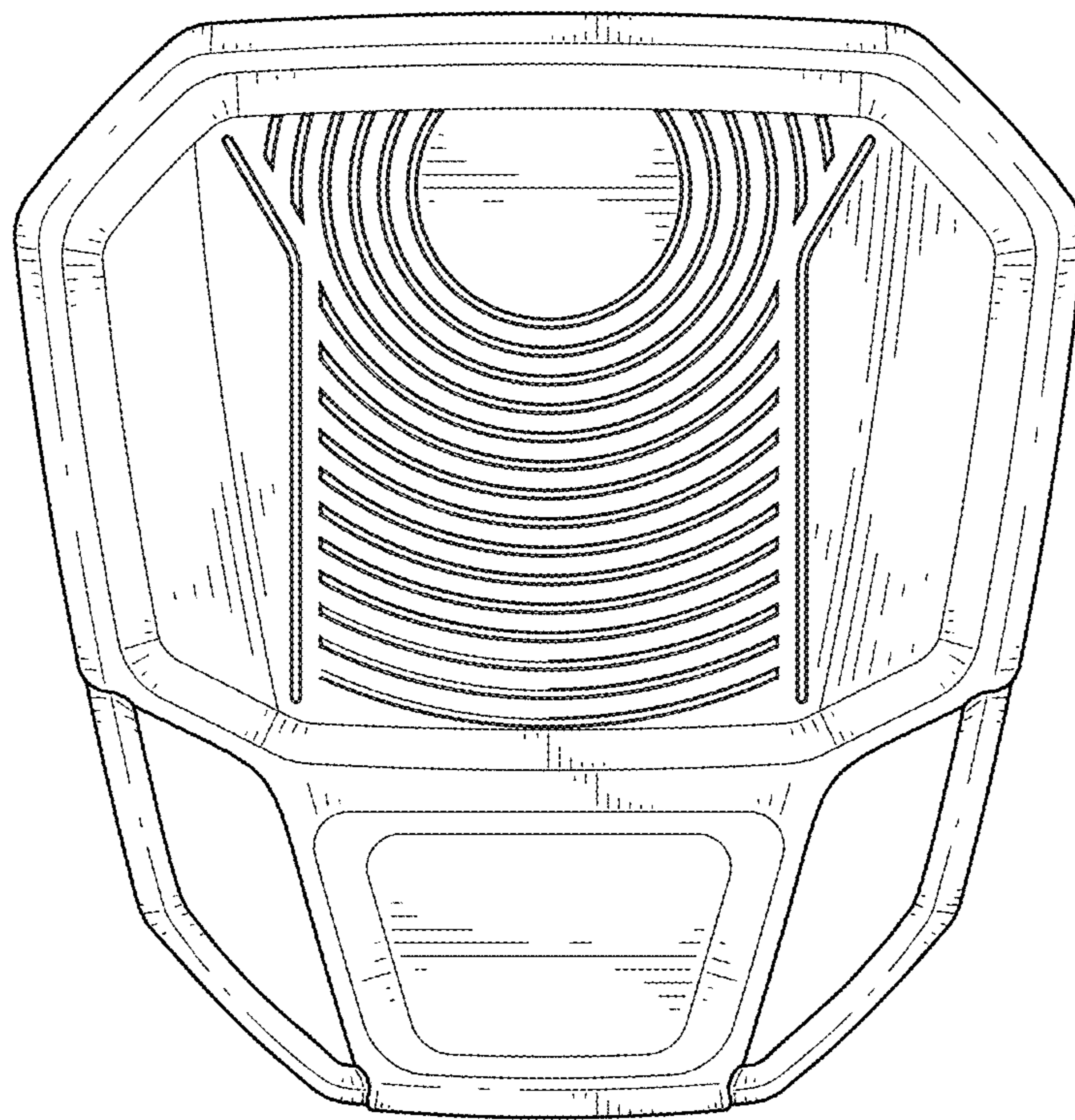


Fig. 6

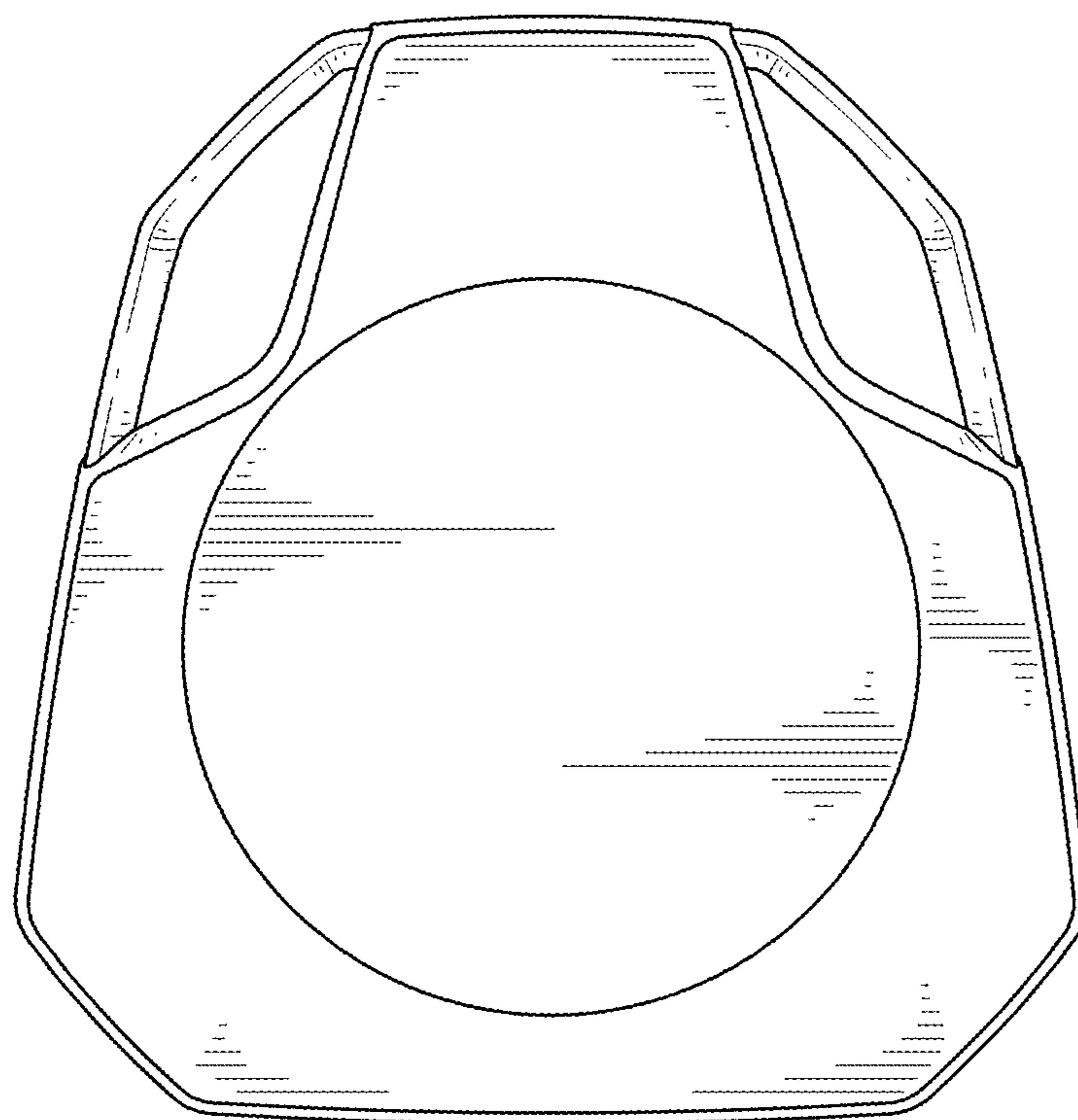


Fig. 7