



US00D898838S

(12) **United States Design Patent**  
**Chen**

(10) **Patent No.:** **US D898,838 S**

(45) **Date of Patent:** **\*\* Oct. 13, 2020**

(54) **RACE TRACK TOY**

(71) Applicant: **Churong Chen**, Dacheng Town (CN)

(72) Inventor: **Churong Chen**, Dacheng Town (CN)

(\*\*) Term: **15 Years**

(21) Appl. No.: **29/718,166**

(22) Filed: **Dec. 20, 2019**

(51) **LOC (12) Cl.** ..... **21-01**

(52) **U.S. Cl.**  
USPC ..... **D21/564**

(58) **Field of Classification Search**  
USPC ..... D21/506–511, 564, 565  
CPC ..... A63F 7/3622; A63H 29/08; A63H 18/00;  
A63H 18/02; A63H 18/04  
See application file for complete search history.

5,890,945 A \* 4/1999 Asami ..... A63H 18/04  
446/228

D422,652 S \* 4/2000 Watanabe ..... D21/564

D442,648 S \* 5/2001 Ohkado ..... D21/509

D450,357 S \* 11/2001 Yamazaki ..... D21/511

D597,611 S \* 8/2009 Auberger ..... D21/509

D598,058 S \* 8/2009 Auberger ..... D21/509

8,066,545 B2 \* 11/2011 Jourdian ..... A63H 18/02  
446/444

D725,718 S 3/2015 Feit et al.

D856,433 S \* 8/2019 Naito ..... D21/510

2015/0079875 A1 \* 3/2015 Flores ..... A63F 7/3622  
446/431

2016/0310857 A1 \* 10/2016 Efler ..... A63H 18/02

\* cited by examiner

*Primary Examiner* — Cynthia M. Chin  
(74) *Attorney, Agent, or Firm* — Law Offices of Steven W. Weinrieb

(57) **CLAIM**

The ornamental design for a race track toy, as shown and described.

(56) **References Cited**

U.S. PATENT DOCUMENTS

D246,196 S 10/1977 Suzuki

D248,887 S \* 8/1978 Tanaka ..... D21/564

D249,289 S 9/1978 Burcham

D256,811 S 9/1980 Crawford

D260,105 S 8/1981 Matsumoto

D260,412 S 8/1981 Hirano

D265,751 S 8/1982 Udagawa

D270,261 S 8/1983 Lee

D271,120 S 10/1983 Matsumoto et al.

D277,205 S 1/1985 Suzuki et al.

D289,666 S 5/1987 Udagawa et al.

D302,032 S 7/1989 Kamikawa

D305,556 S \* 1/1990 Lo ..... D21/564

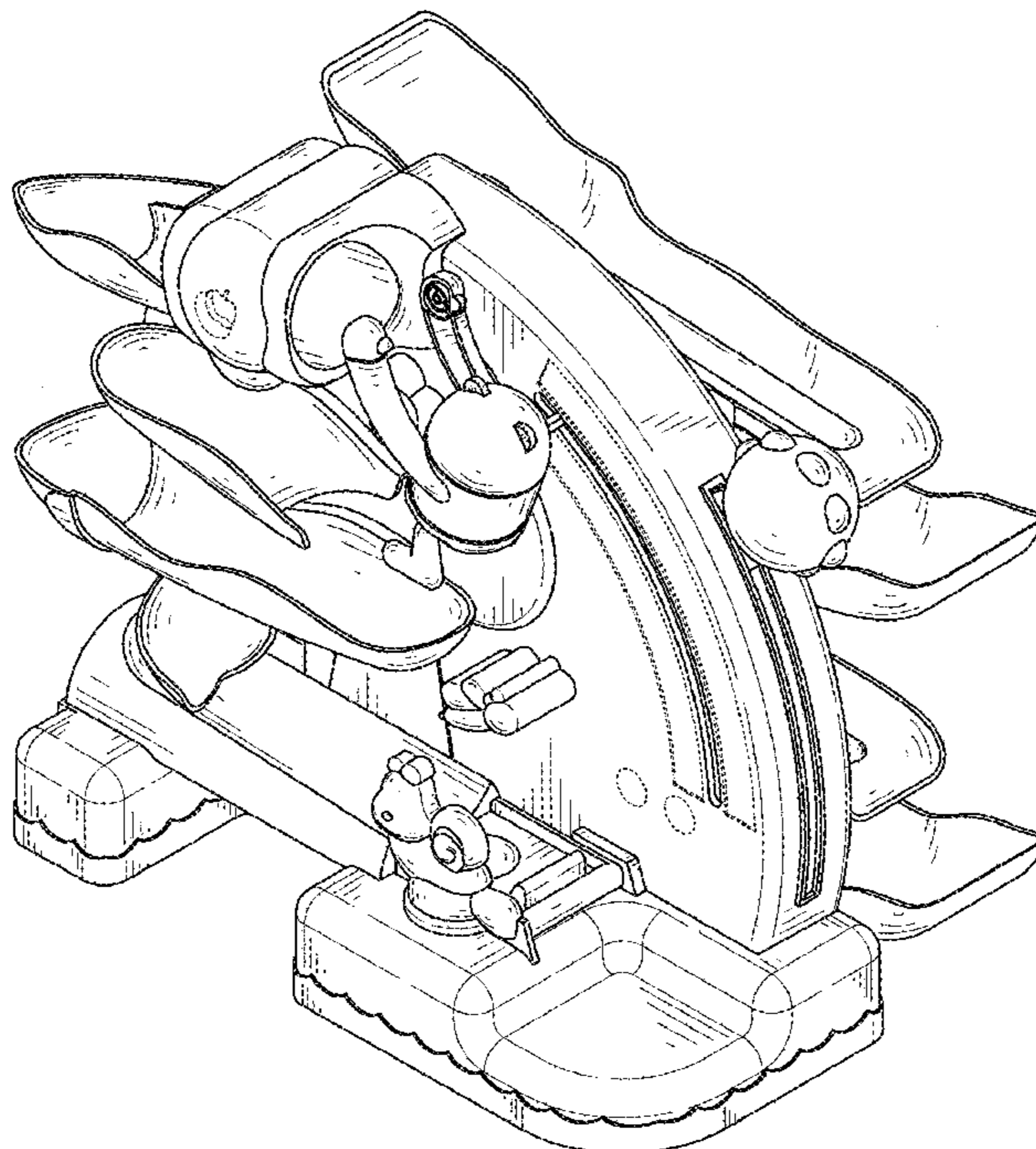
D307,780 S 5/1990 Healzer

5,312,285 A \* 5/1994 Rieber ..... A63F 7/3622  
273/109

**DESCRIPTION**

FIG. 1 is a front, right side, top perspective view of a race track toy showing my new design;  
FIG. 2 is a rear left side, bottom perspective view thereof;  
FIG. 3 is a front elevational view thereof;  
FIG. 4 is a rear elevational view thereof;  
FIG. 5 is a left side elevational view thereof;  
FIG. 6 is a right side elevational view thereof;  
FIG. 7 is a top plan view thereof; and,  
FIG. 8 is a bottom plan view thereof.  
The broken lines depict portions of the race track toy that form no part of the claimed design.

**1 Claim, 8 Drawing Sheets**



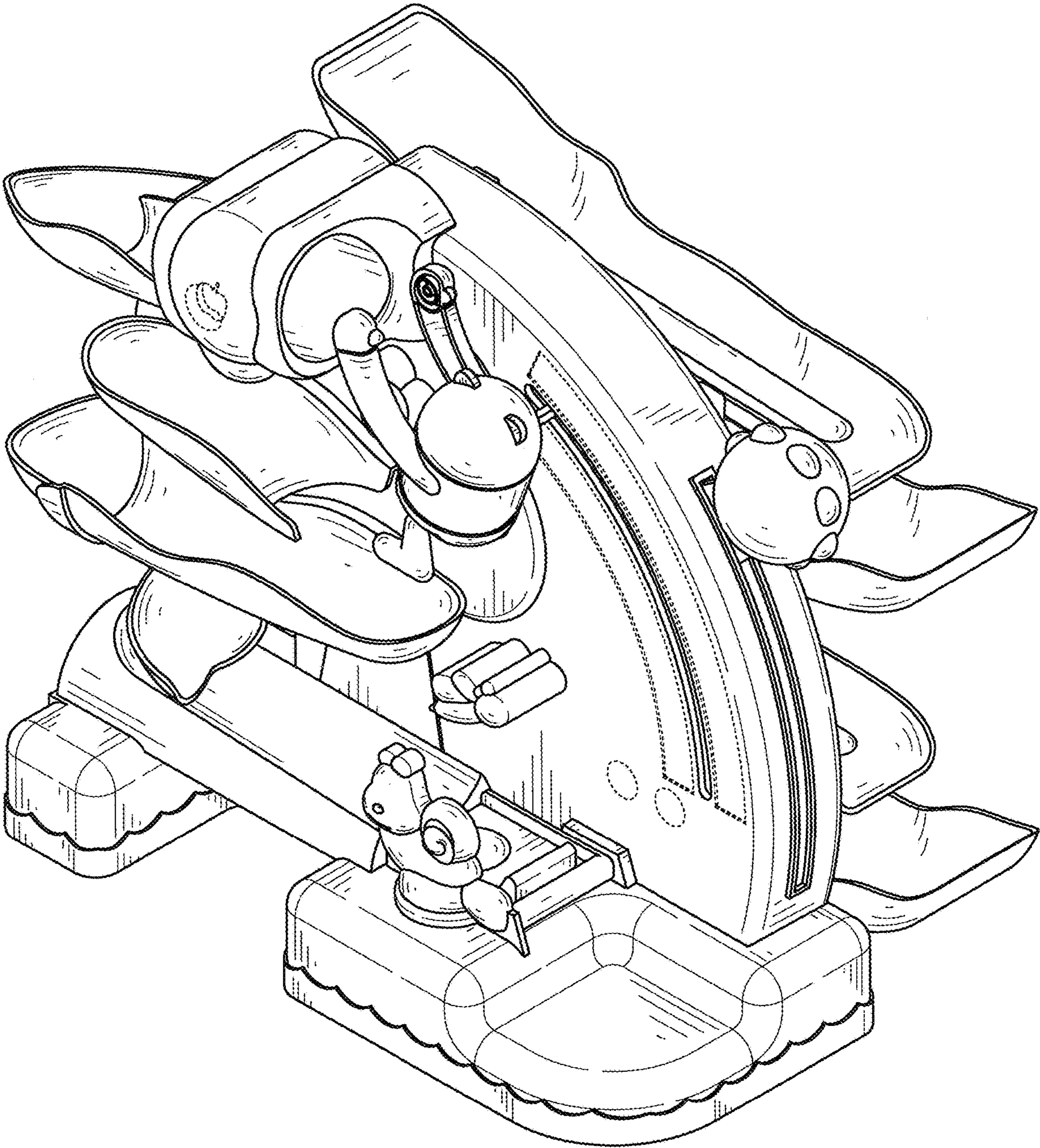


FIG. 1



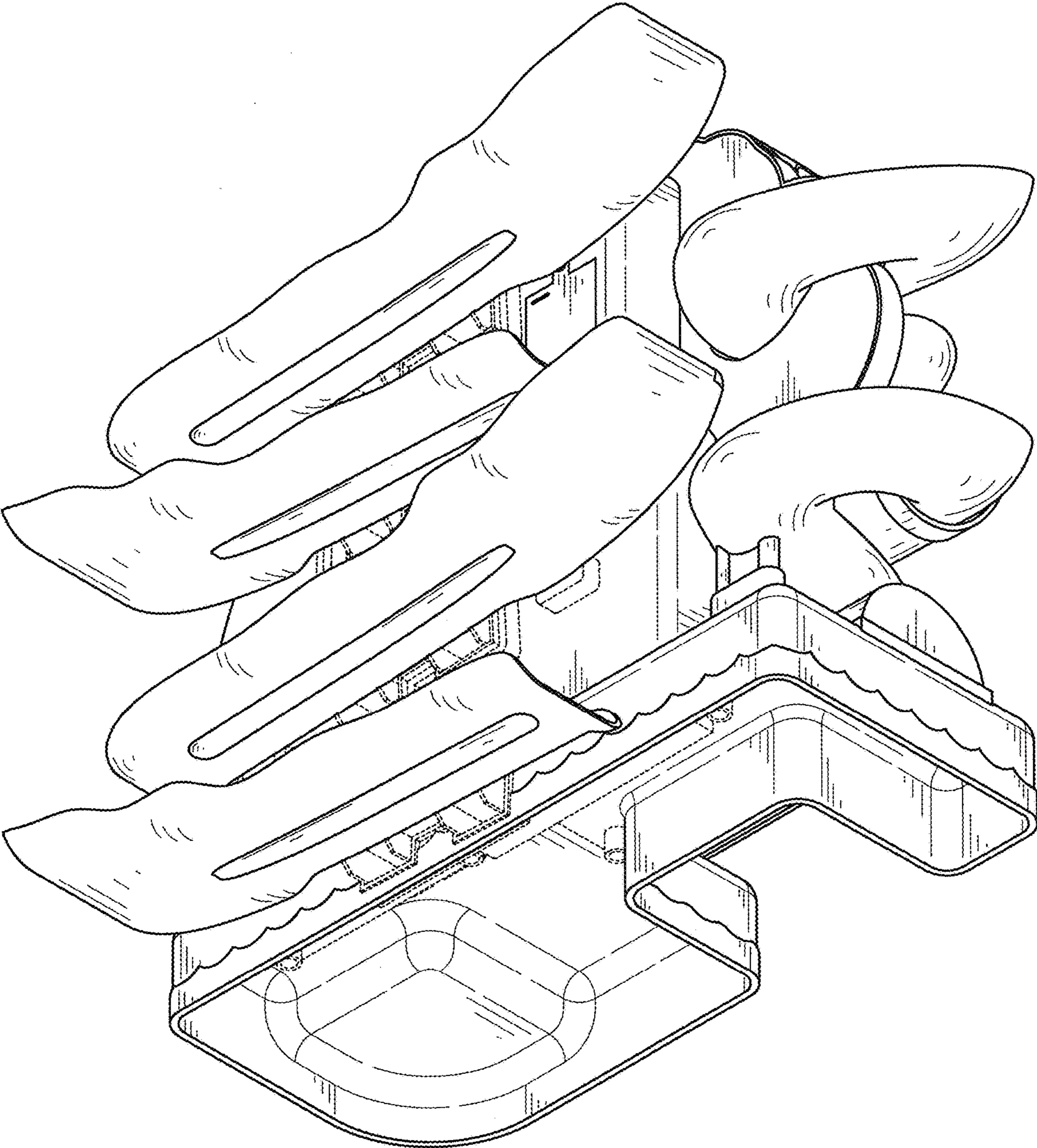


FIG. 2

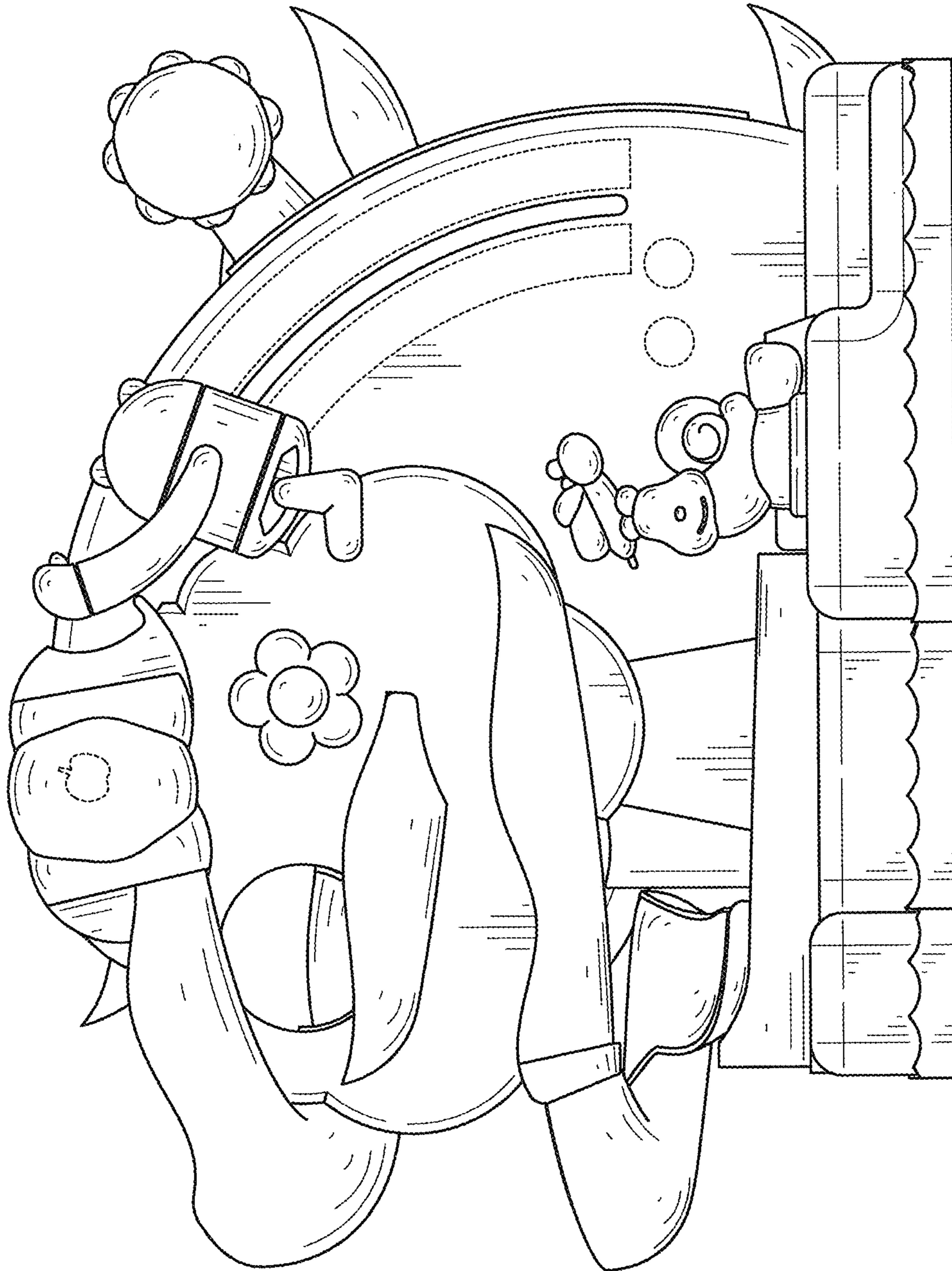


FIG. 3

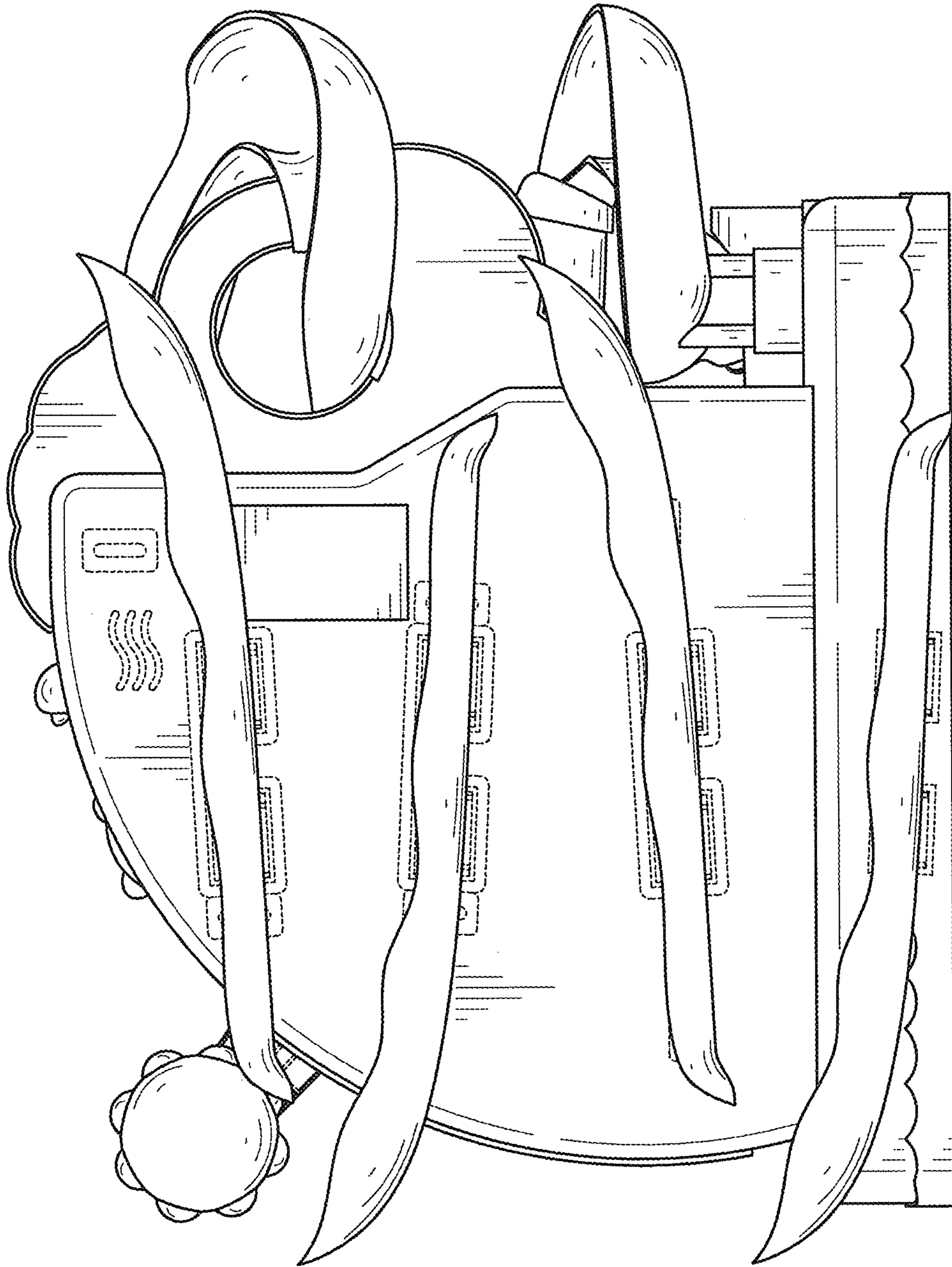


FIG. 4



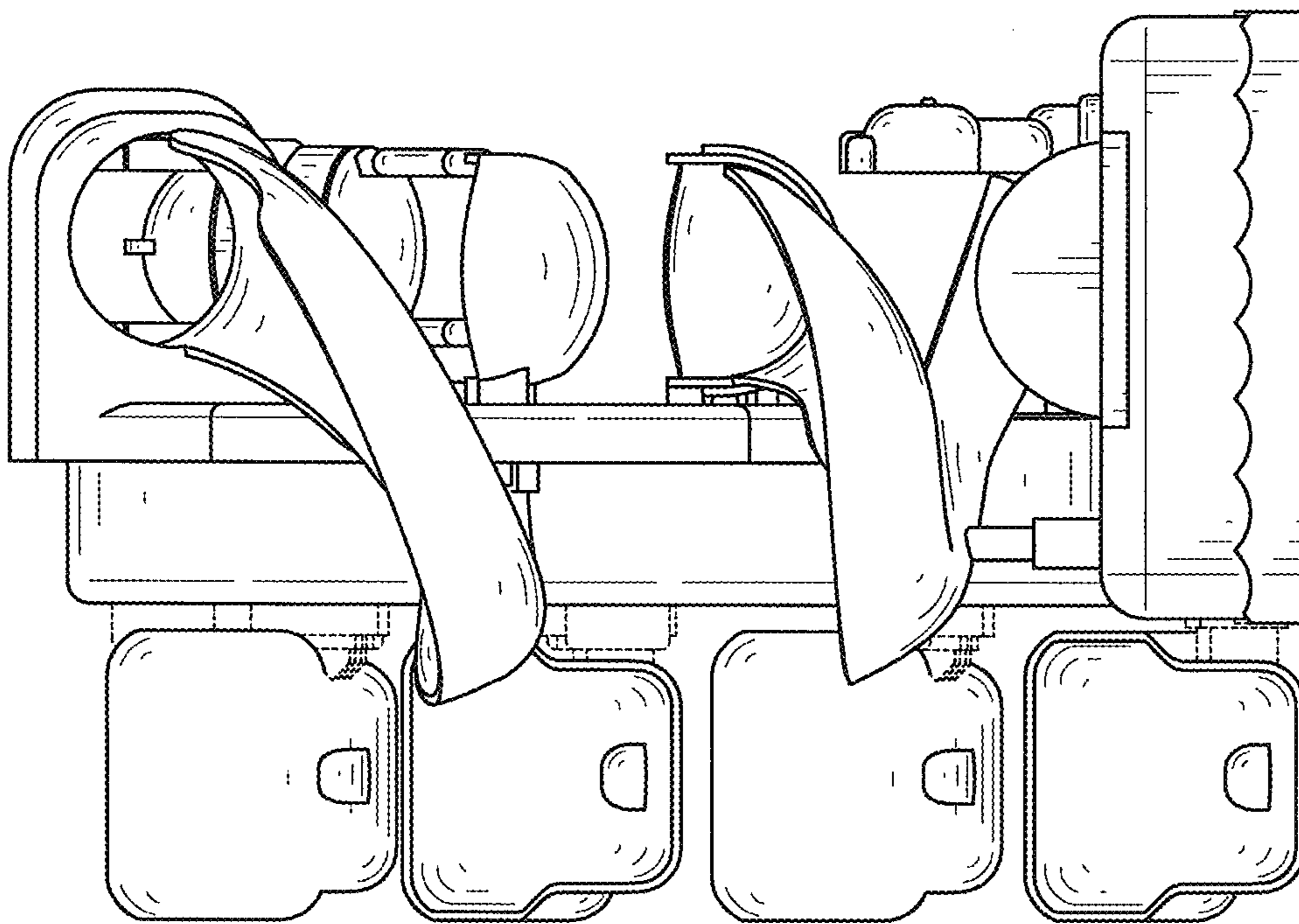


FIG. 5

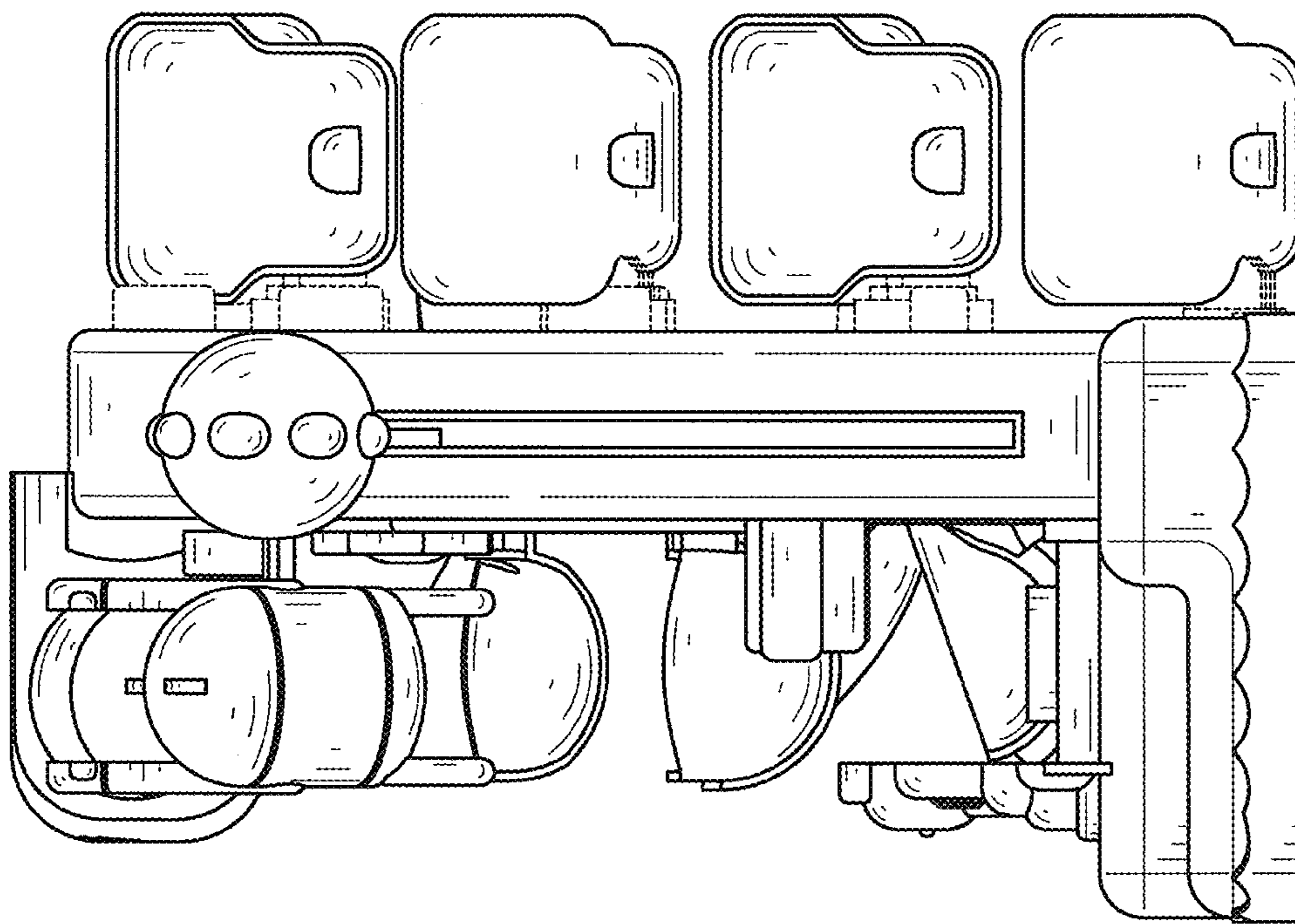


FIG. 6

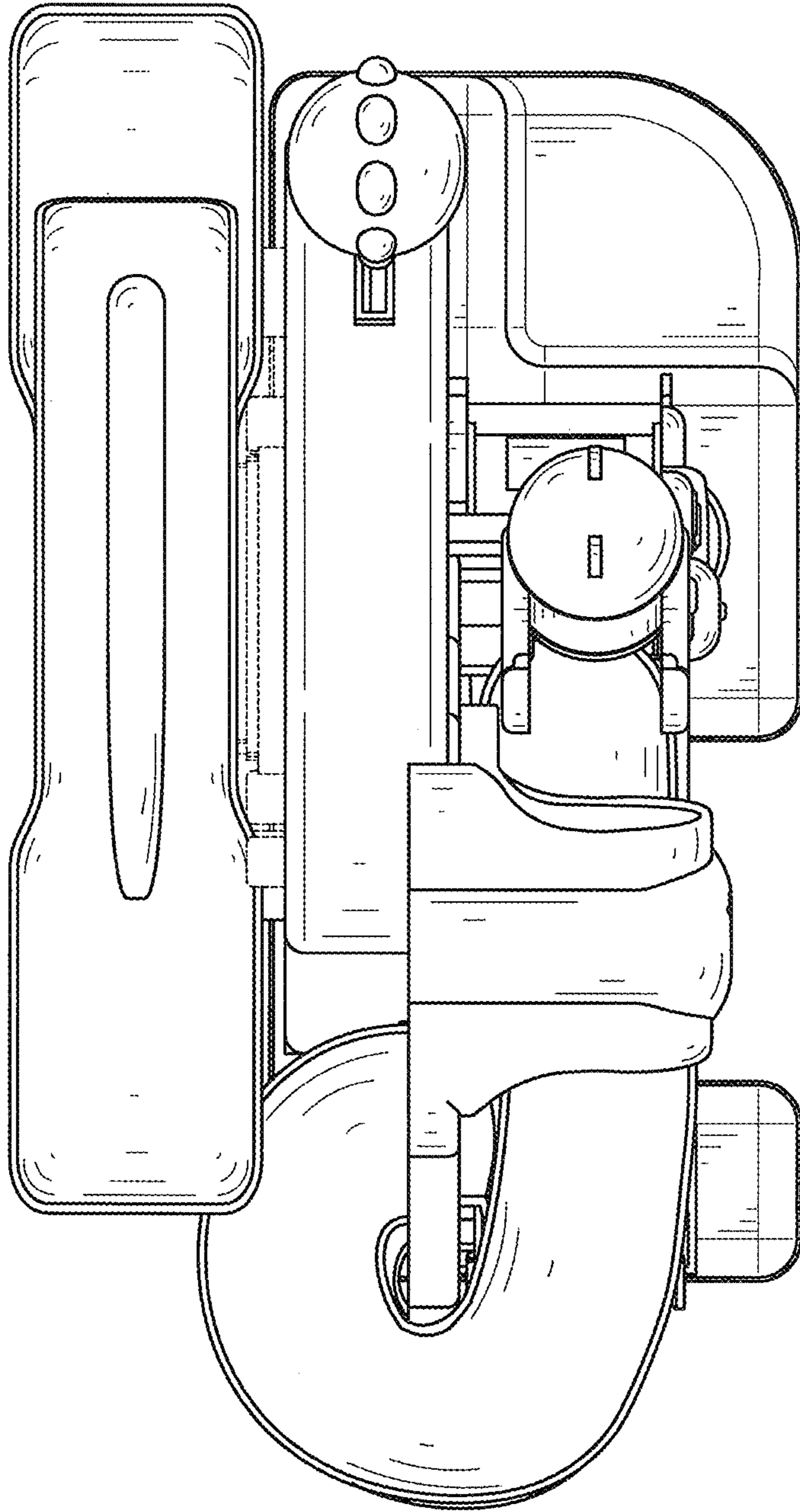


FIG. 7



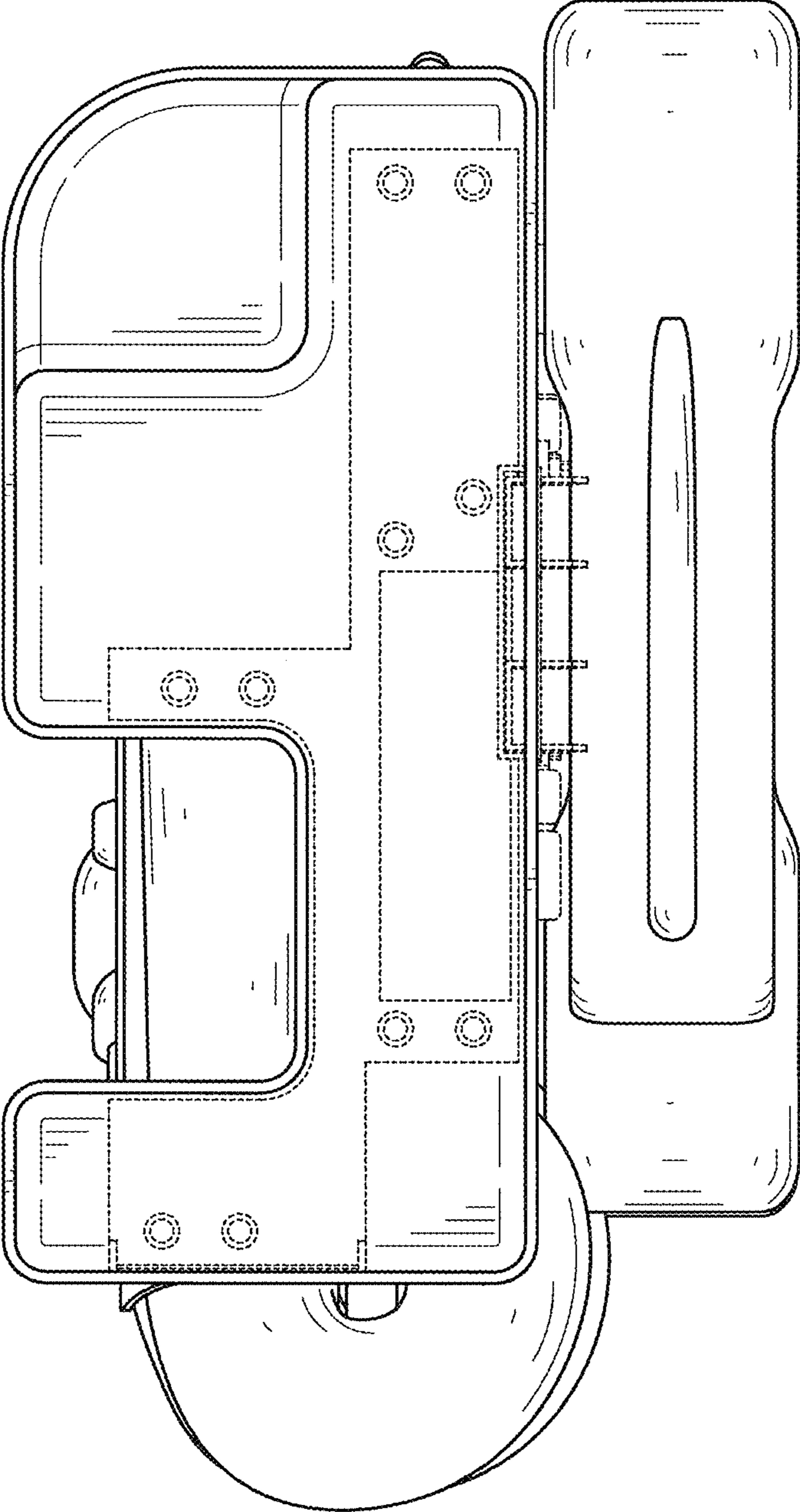


FIG. 8