



US00D898837S

(12) **United States Design Patent**
Park et al.

(10) **Patent No.:** **US D898,837 S**
(45) **Date of Patent:** **** Oct. 13, 2020**

(54) **TOY BLOCK**
(71) Applicant: **GYMWORLD INC.**, Seoul (KR)
(72) Inventors: **Kee Young Park**, Seoul (KR); **Gyu Jin Seo**, Seoul (KR); **Ju Seong Lee**, Osan-si (KR); **Chang Moon Lee**, Gwangmyeong-si (KR); **Ki Ho Lee**, Hwaseong-si (KR); **Yoon Su Cha**, Suwon-si (KR); **Na Young Go**, Seongnam-si (KR); **So Lee Kang**, Seoul (KR); **Jo Un Yi**, Seoul (KR)

(73) Assignee: **GYMWORLD INC.**, Seoul (KR)
(**) Term: **15 Years**

(21) Appl. No.: **29/680,977**
(22) Filed: **Feb. 21, 2019**

(30) **Foreign Application Priority Data**

Sep. 3, 2018 (KR) 30-2018-0040992

(51) **LOC (12) Cl.** **21-01**

(52) **U.S. Cl.**
USPC **D21/495; D21/538**

(58) **Field of Classification Search**
USPC D21/484, 495, 499, 500, 533, 534, 538, D21/561, 562
CPC A63H 17/00; A63H 17/002; A63H 17/26; A63H 17/262; A63H 17/264
See application file for complete search history.

(56) **References Cited**

U.S. PATENT DOCUMENTS

4,375,139 A * 3/1983 Chatani A63H 17/26 446/471
D280,752 S * 9/1985 Dideriksen D21/538

4,551,109 A * 11/1985 Hanson A63H 33/001 446/465
4,631,040 A * 12/1986 Shiraishi A63H 17/002 446/124
D346,629 S * 5/1994 Ruskai D21/495
D395,064 S * 6/1998 Pagel D21/484
D395,470 S * 6/1998 Rahbek D21/484
5,919,072 A * 7/1999 Pohlman A63H 17/002 446/120
D672,403 S * 12/2012 Riis D21/493

* cited by examiner

Primary Examiner — Cynthia M. Chin

(74) *Attorney, Agent, or Firm* — Korus Patent, LLC; Seong Il Jeong

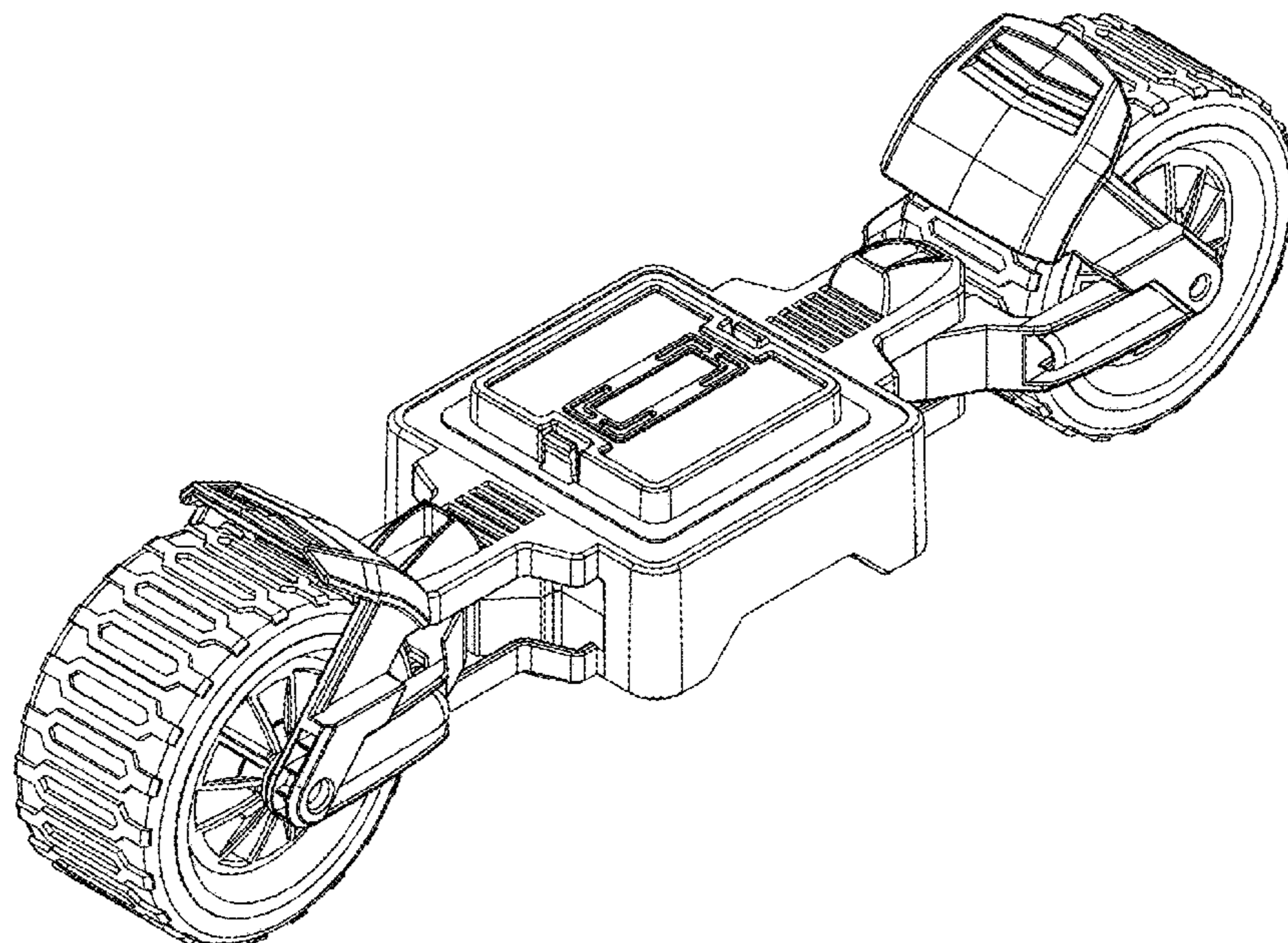
(57) **CLAIM**

The ornamental design for a toy block, as shown and described.

DESCRIPTION

FIG. 1 is a front perspective view of a toy block according to the present design;
FIG. 2 is a front elevation view thereof;
FIG. 3 is a rear elevation view thereof;
FIG. 4 is a left side view thereof;
FIG. 5 is a right side view thereof;
FIG. 6 is a top plan view thereof; and,
FIG. 7 is a bottom plan view thereof.
The broken lines are for the purpose of illustrating portions of the article that form no part of the claimed design.

1 Claim, 4 Drawing Sheets



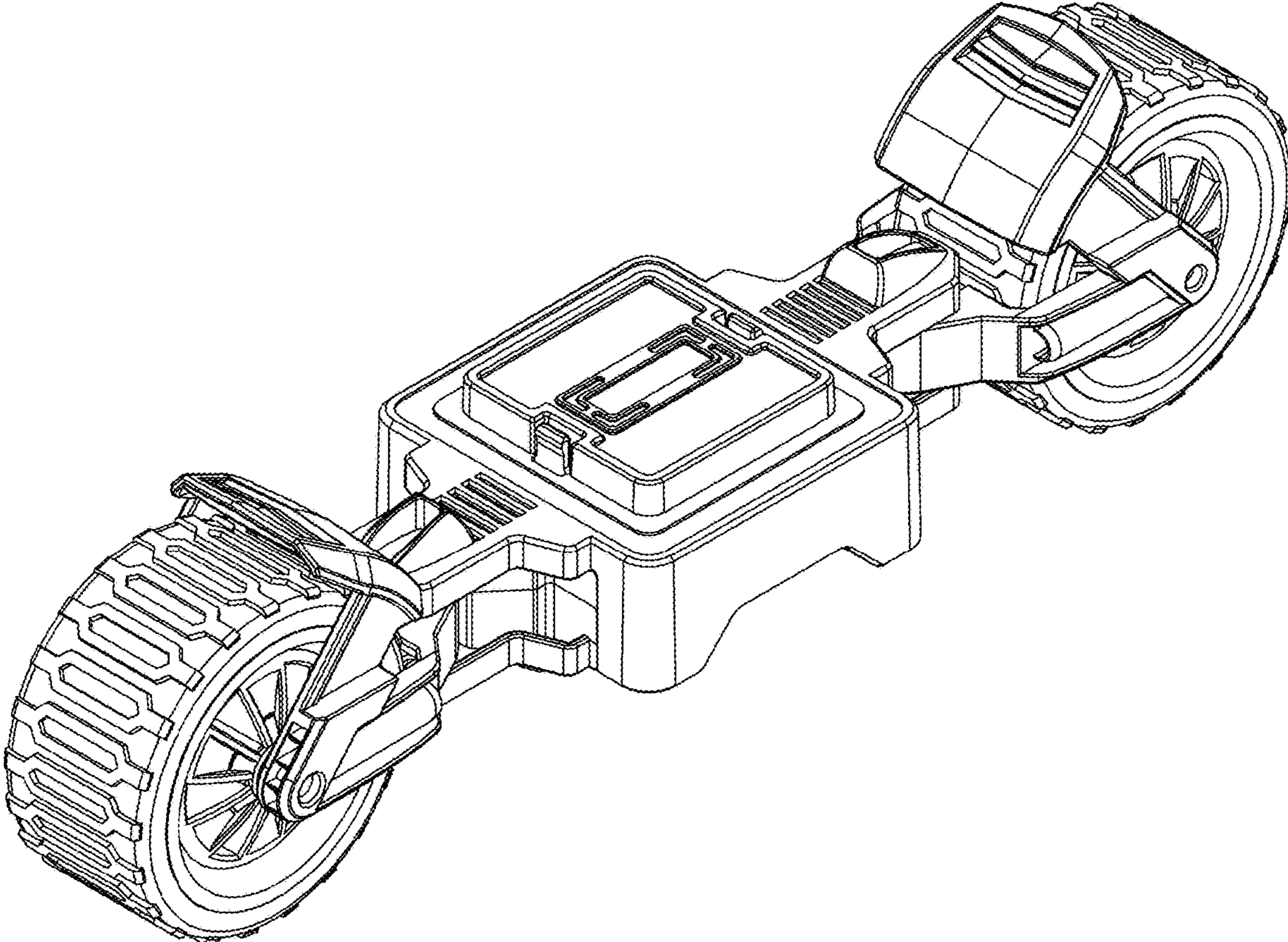


FIG. 1

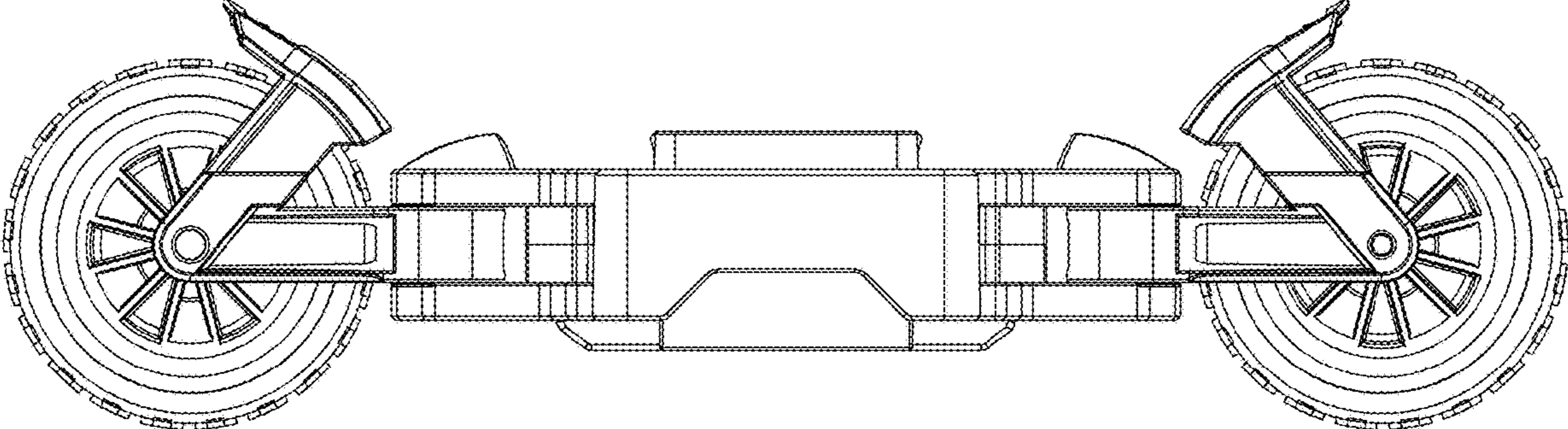


FIG. 2

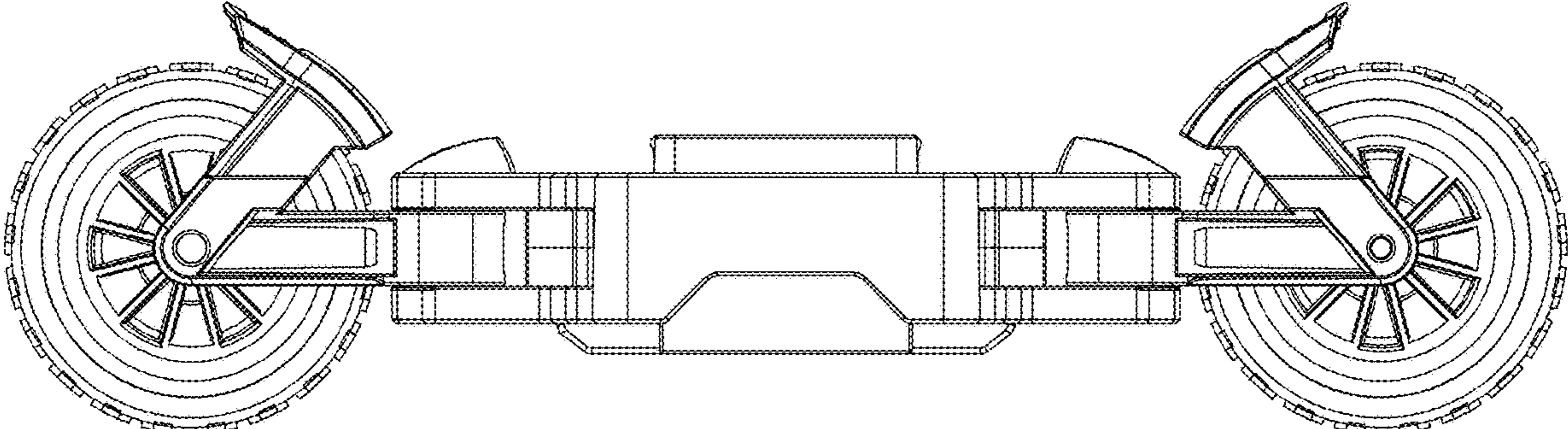


FIG. 3

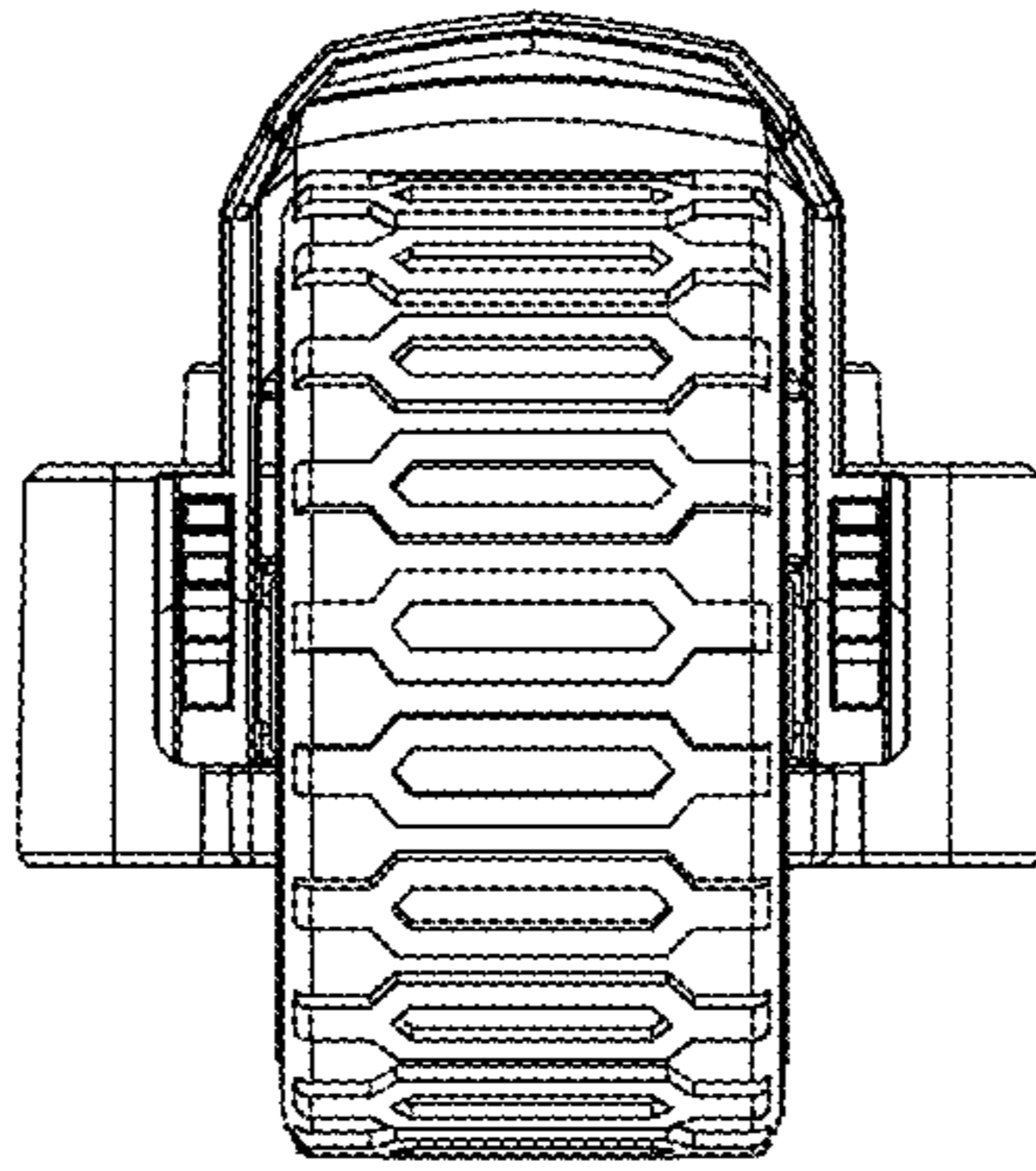


FIG. 4

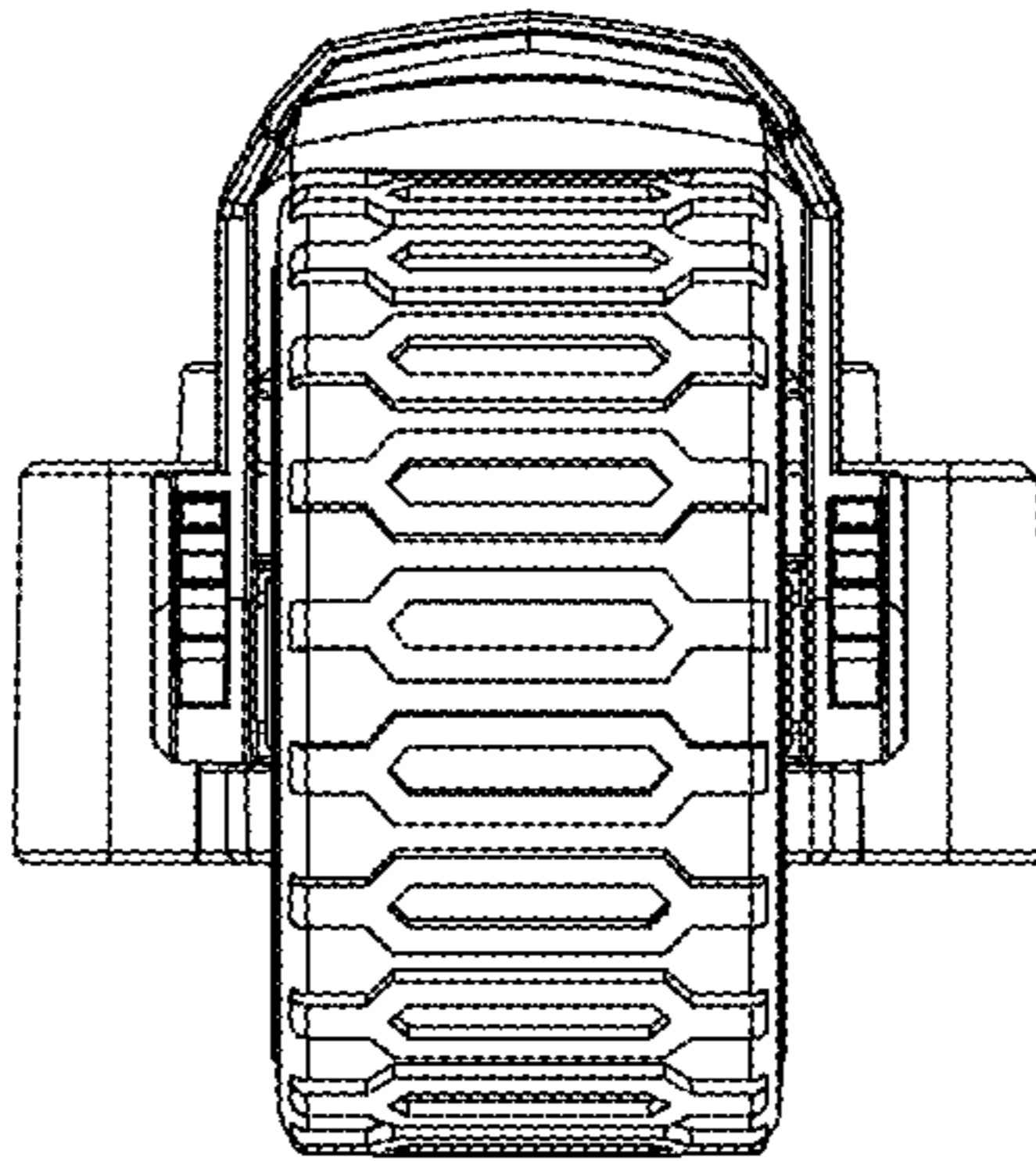


FIG. 5

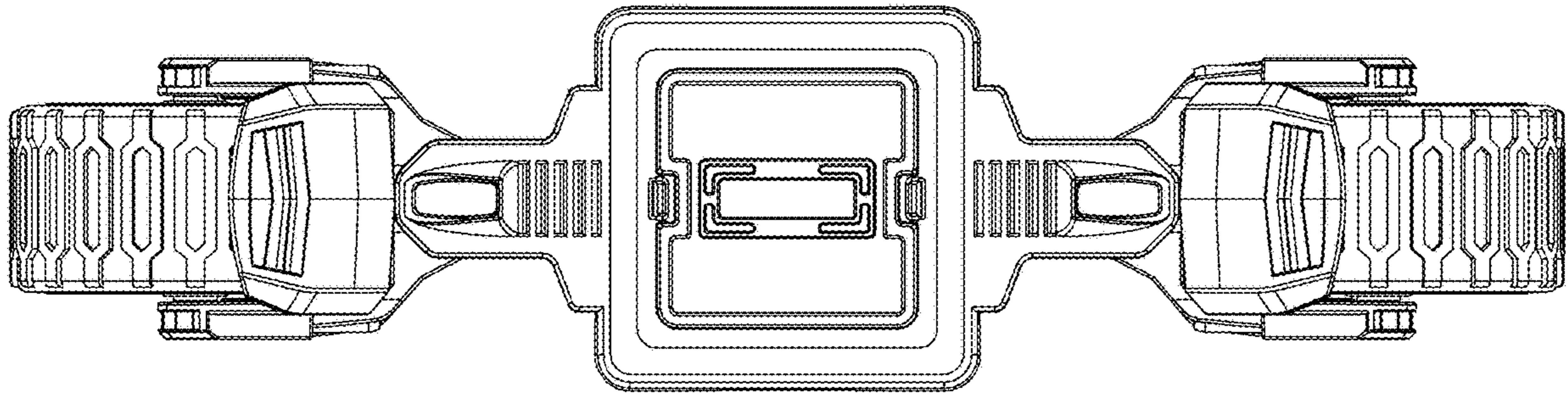


FIG. 6

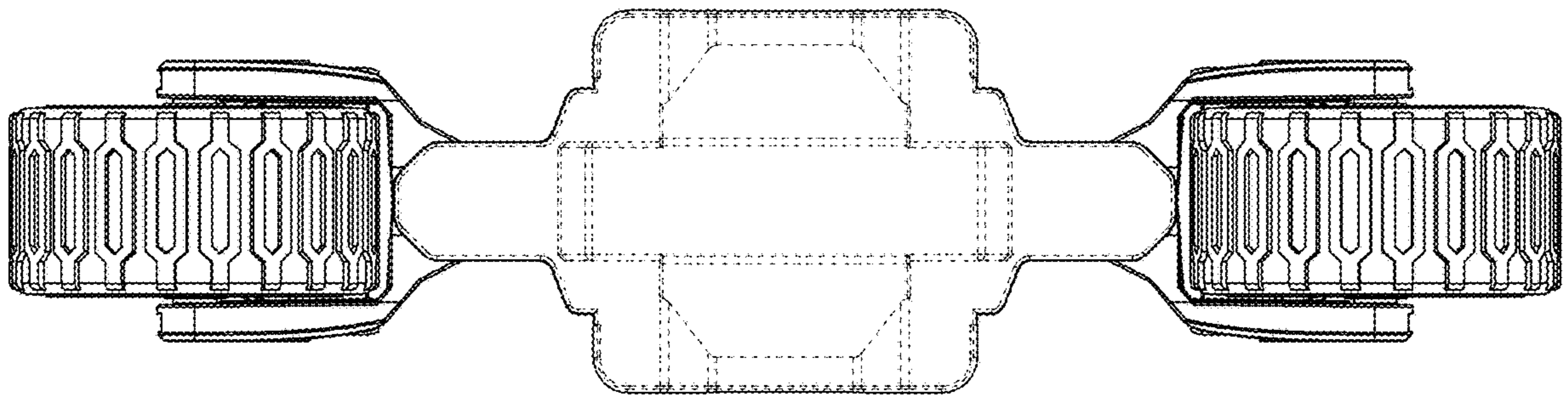


FIG. 7