



US00D898836S

(12) **United States Design Patent**
Park

(10) **Patent No.:** **US D898,836 S**

(45) **Date of Patent:** **** Oct. 13, 2020**

(54) **TOY BLOCK**

(71) Applicant: **GYMWORLD INC.**, Seoul (KR)

(72) Inventor: **Kee Young Park**, Seoul (KR)

(73) Assignee: **GYMWORLD INC.**, Seoul (KR)

(**) Term: **15 Years**

(21) Appl. No.: **29/680,970**

(22) Filed: **Feb. 21, 2019**

(30) **Foreign Application Priority Data**

Aug. 22, 2018 (KR) 30-2018-0038882

(51) **LOC (12) Cl.** **21-01**

(52) **U.S. Cl.**
USPC **D21/495; D21/538**

(58) **Field of Classification Search**
USPC D21/484, 495, 499, 500, 533, 534, 561,
D21/562

CPC A63H 17/00; A63H 17/002; A63H 17/26;
A63H 17/262; A63H 17/264

See application file for complete search history.

(56) **References Cited**

U.S. PATENT DOCUMENTS

4,551,109 A * 11/1985 Hanson A63H 33/001
446/465

4,631,040 A * 12/1986 Shiraishi A63H 17/002
446/124

D295,649 S * 5/1988 Takahashi D21/500

D304,043 S * 10/1989 Tapdrup D21/453

D325,052 S * 3/1992 Andersen D21/495
D344,552 S * 2/1994 Berggreen D21/495
D346,629 S * 5/1994 Ruskai D21/495
D541,882 S * 5/2007 Petersen D21/495
D845,399 S * 4/2019 Kahl D21/495
D846,035 S * 4/2019 Kahl D21/495
D854,629 S * 7/2019 Zhang D21/495
2005/0215172 A1 * 9/2005 Chen A63H 17/002
446/427
2016/0129358 A1 * 5/2016 Eversoll A63H 30/04
463/40

* cited by examiner

Primary Examiner — Cynthia M. Chin

(74) *Attorney, Agent, or Firm* — KORUS Patent, LLC;
Seong Il Jeong

(57) **CLAIM**

The ornamental design for a toy block, as shown and described.

DESCRIPTION

FIG. 1 is a front perspective view of a toy block according to the present design;

FIG. 2 is a front elevation view thereof;

FIG. 3 is a rear elevation view thereof;

FIG. 4 is a left side view thereof;

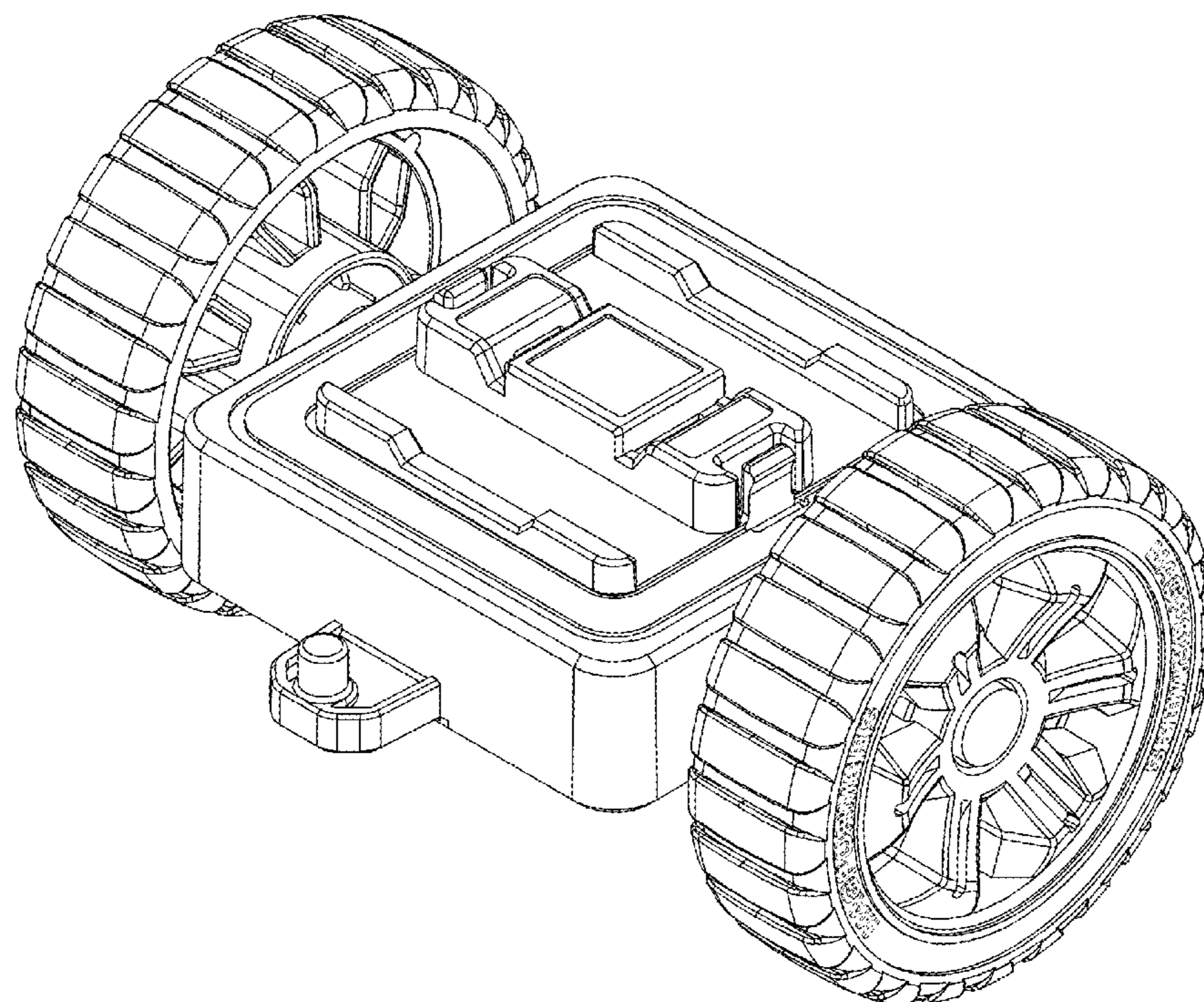
FIG. 5 is a right side view thereof;

FIG. 6 is a top plan view thereof; and,

FIG. 7 is a bottom plan view thereof.

The broken lines are for the purpose of illustrating portions of the article that form no part of the claimed design. The word MAGFORMERS in FIGS. 1, 4, 5, and 7 is a registered trademark of Magformers, LLC, a US subsidiary company of the Applicant, and forms no part of the claimed design.

1 Claim, 7 Drawing Sheets



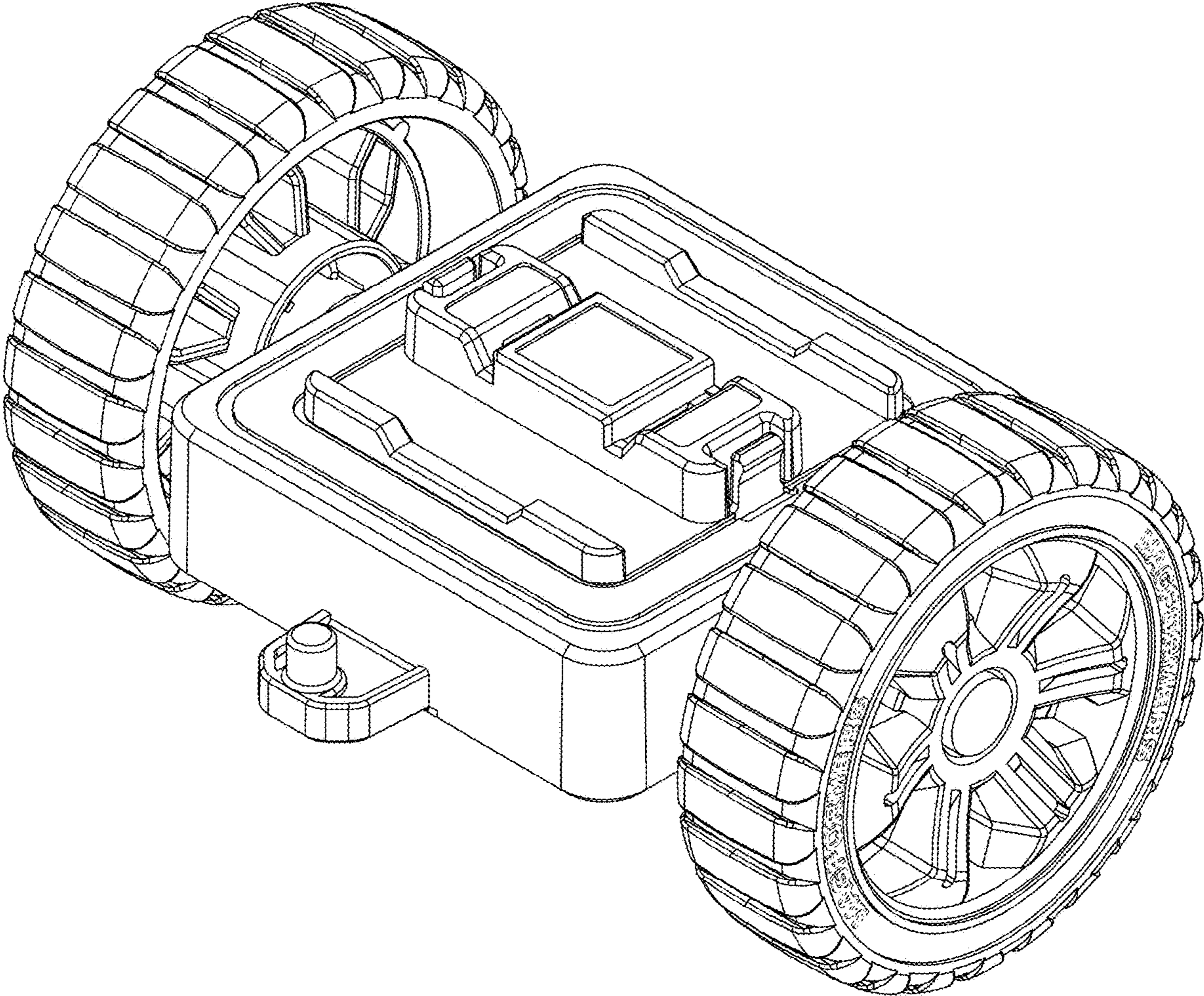


FIG. 1

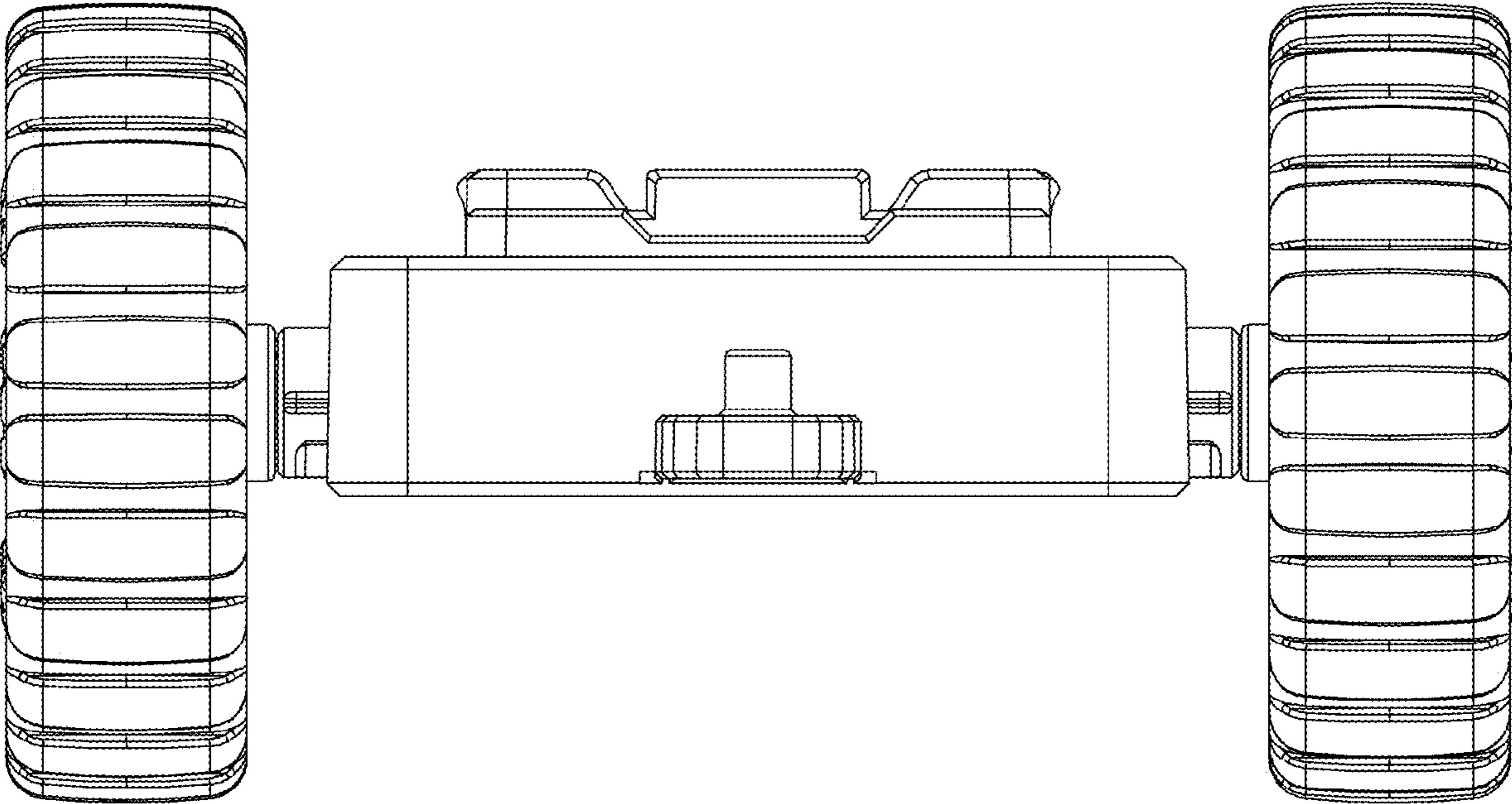


FIG. 2

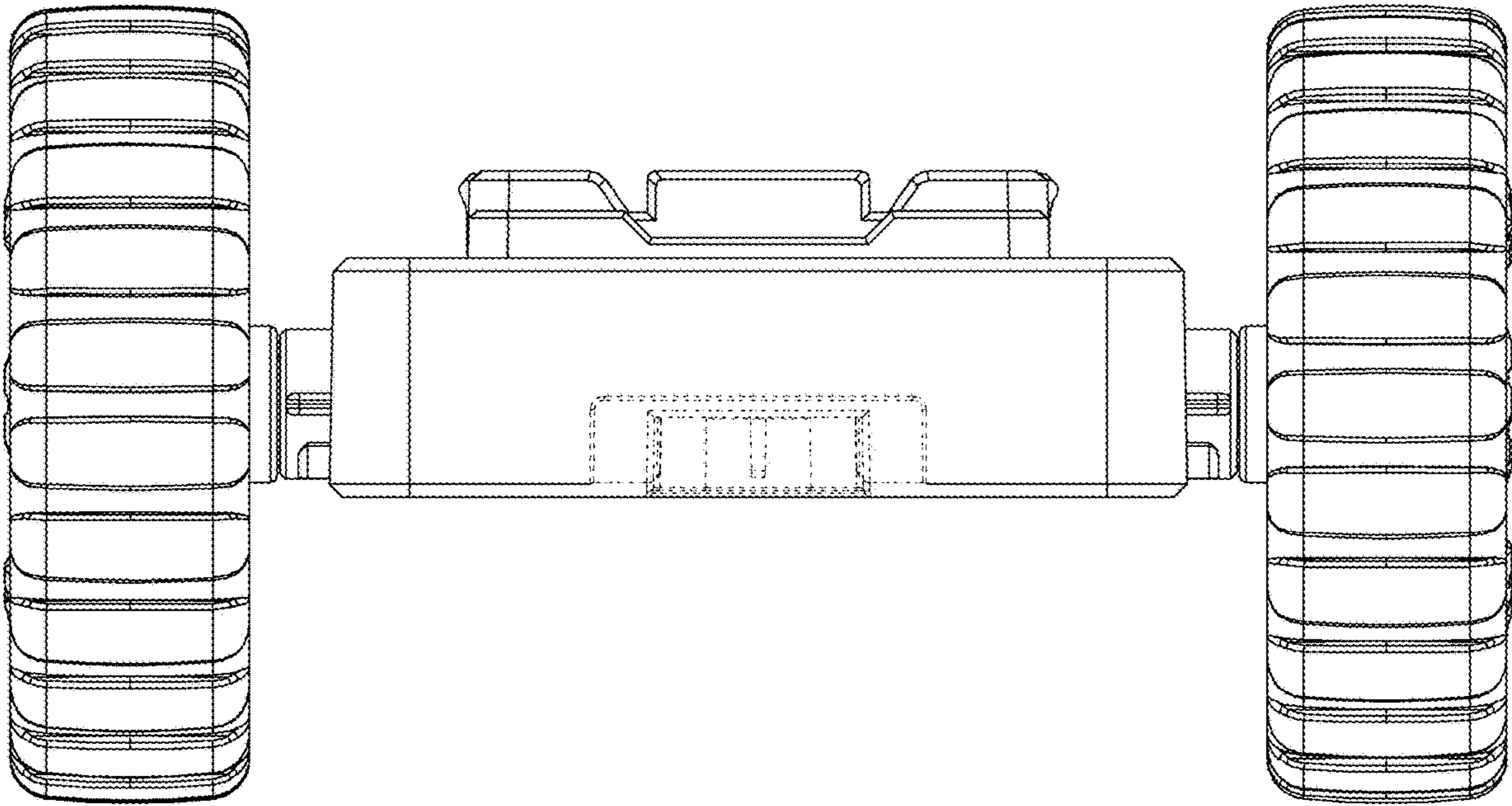


FIG. 3

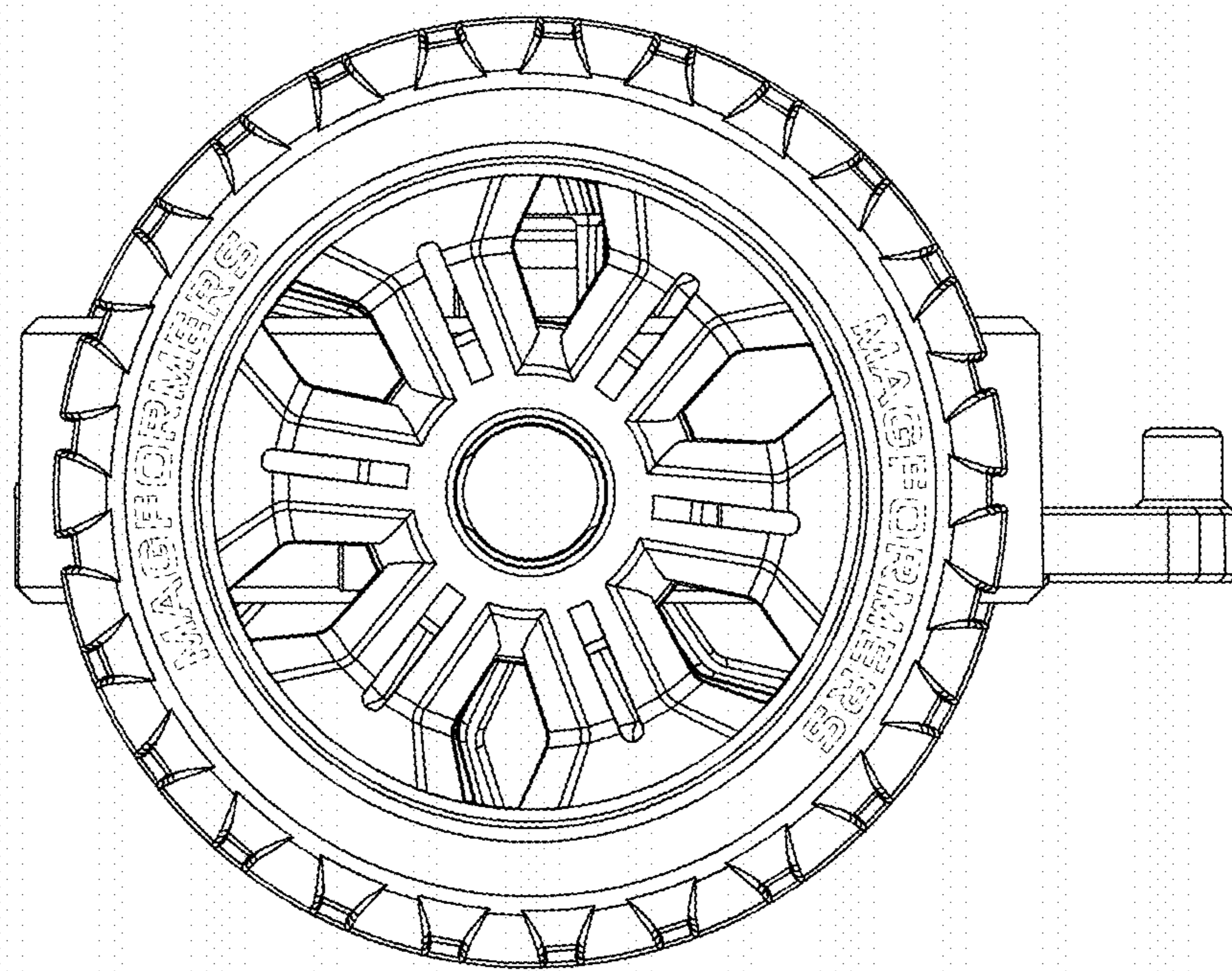


FIG. 4

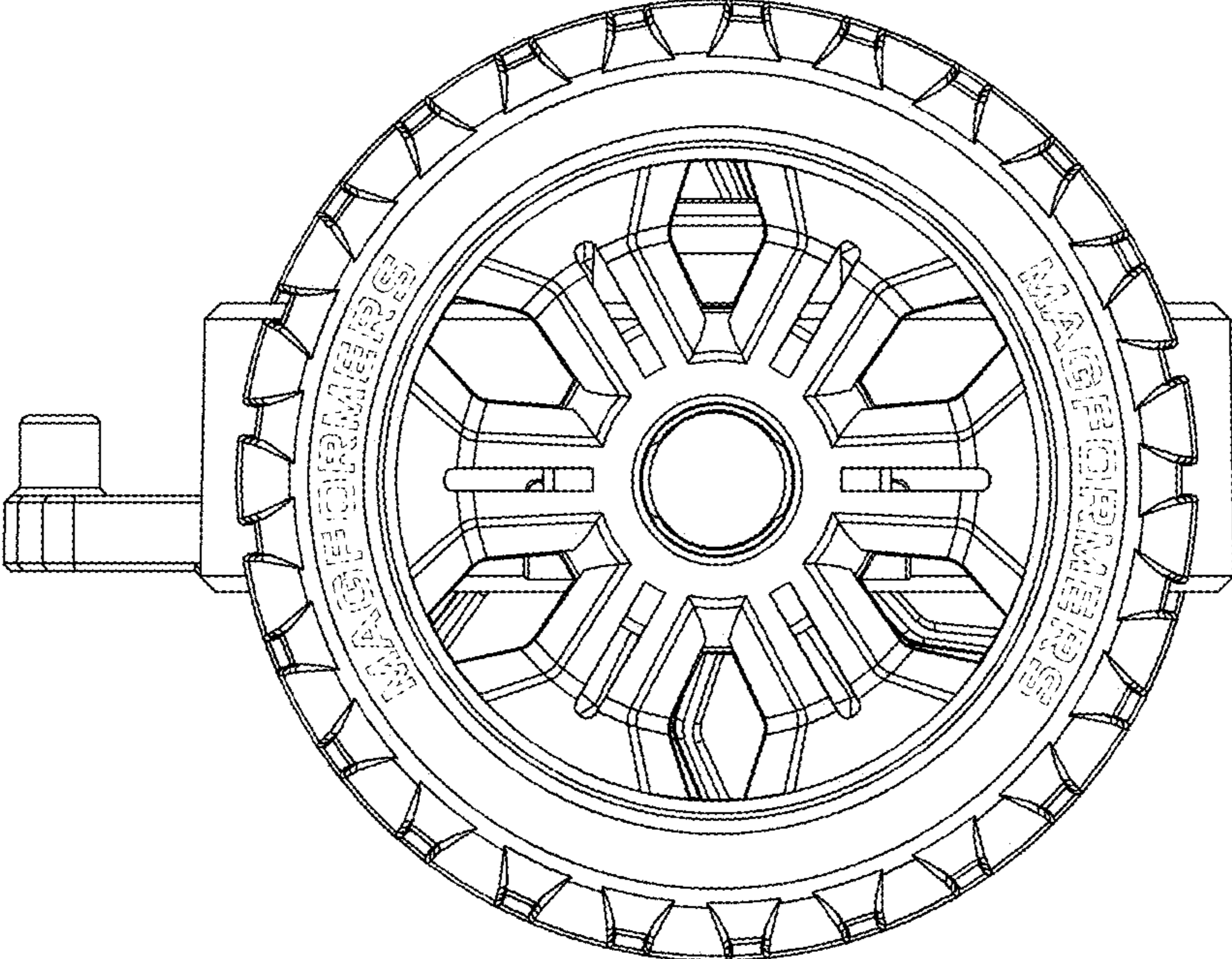


FIG. 5

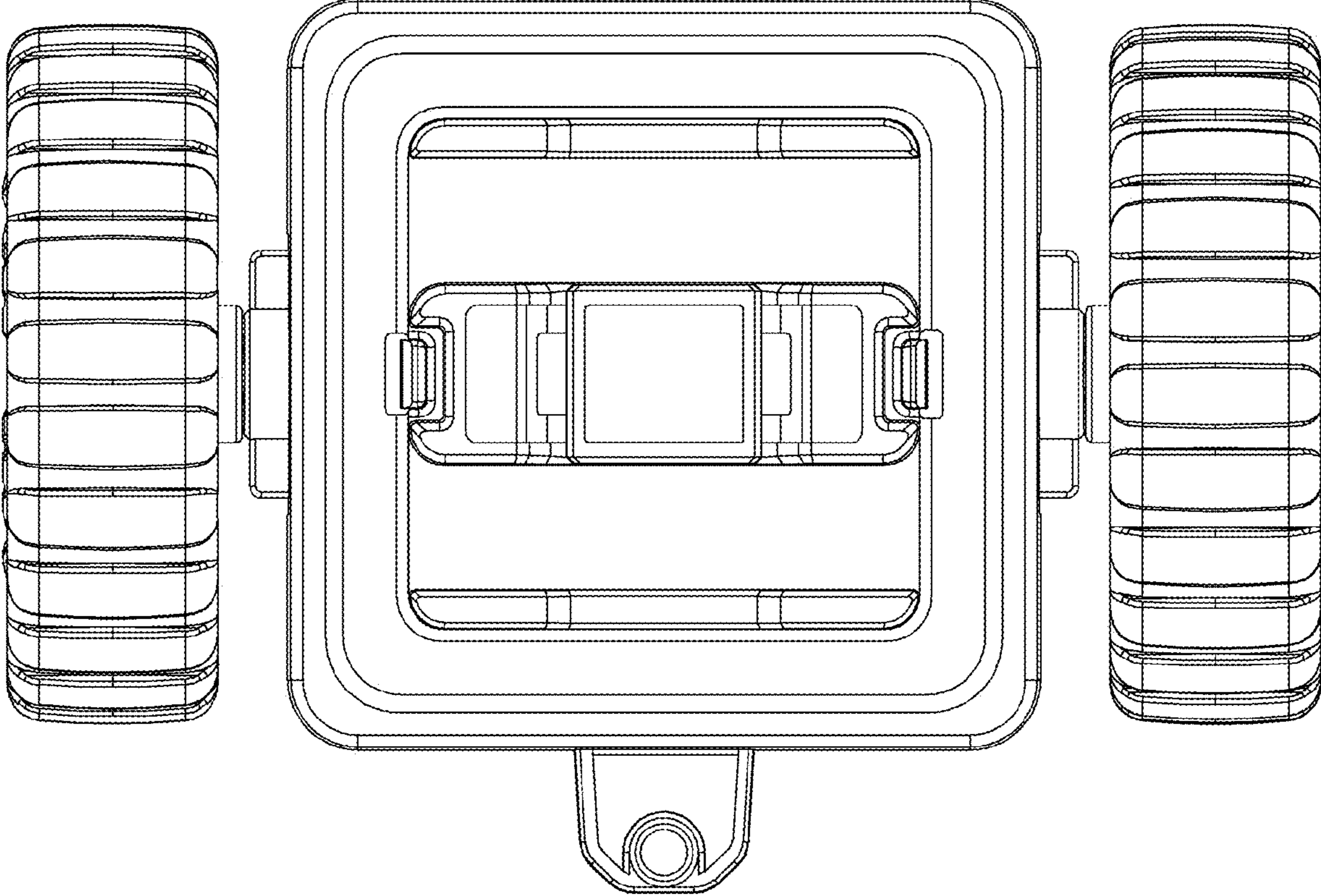


FIG. 6

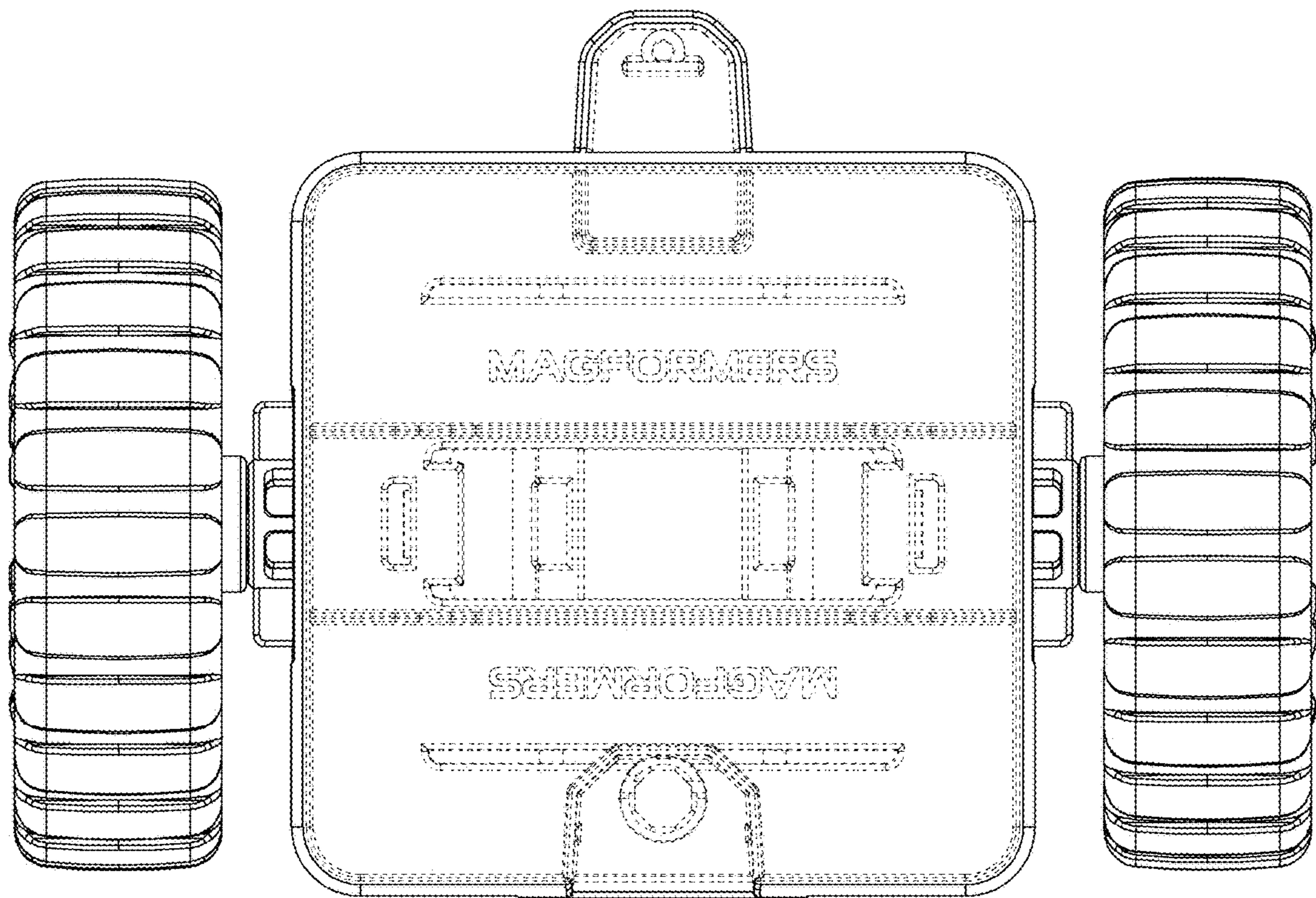


FIG. 7