



US00D898833S

(12) **United States Design Patent**
Mazoyer

(10) **Patent No.:** **US D898,833 S**
(45) **Date of Patent:** **** Oct. 13, 2020**

(54) **SCOOTER**

(71) Applicant: **ID Development Limited**, Hong Kong (CN)

(72) Inventor: **Joseph Mazoyer**, Lyons (FR)

(73) Assignee: **ID DEVELOPMENT LIMITED**, Hong Kong (CN)

(**) Term: **15 Years**

(21) Appl. No.: **29/684,154**

(22) Filed: **Mar. 19, 2019**

(30) **Foreign Application Priority Data**

Sep. 21, 2018 (CN) 2018 3 0534537

(51) **LOC (12) Cl.** **21-01**

(52) **U.S. Cl.**
USPC **D21/423**

(58) **Field of Classification Search**
USPC D21/419, 421, 423, 760, 765, 771;
D12/1, 8, 107, 110, 112, 113, 114
CPC B62K 3/002; B62K 9/00; B62K 2202/00;
B60Y 2200/126

See application file for complete search history.

(56) **References Cited**

U.S. PATENT DOCUMENTS

D475,093 S * 5/2003 Furter D21/423
D672,400 S * 12/2012 Pizzi D21/423
D698,868 S * 2/2014 Chan D21/423
8,696,000 B1 * 4/2014 Chen B62K 5/08
280/11.28
D728,033 S * 4/2015 O'connell D21/423

D736,861 S * 8/2015 Eckert D21/423
D738,435 S * 9/2015 O'Connell D21/423
9,592,876 B2 * 3/2017 Lovley, II B62K 3/002
9,809,271 B2 * 11/2017 Mazoyer B62K 5/08
D868,166 S * 11/2019 Kirchschrager D21/423
2009/0160150 A1 * 6/2009 Johnson B62K 3/002
280/87.041
2014/0042717 A1 * 2/2014 Chan B62K 3/002
280/5.509
2015/0166138 A1 * 6/2015 Lovley, II B62K 5/05
180/210
2016/0129965 A1 * 5/2016 Baron B62H 7/00
280/87.041

* cited by examiner

Primary Examiner — Cynthia M. Chin

(74) *Attorney, Agent, or Firm* — Polson Intellectual Property Law, PC; Margaret Polson; Christopher Sylvain

(57) **CLAIM**

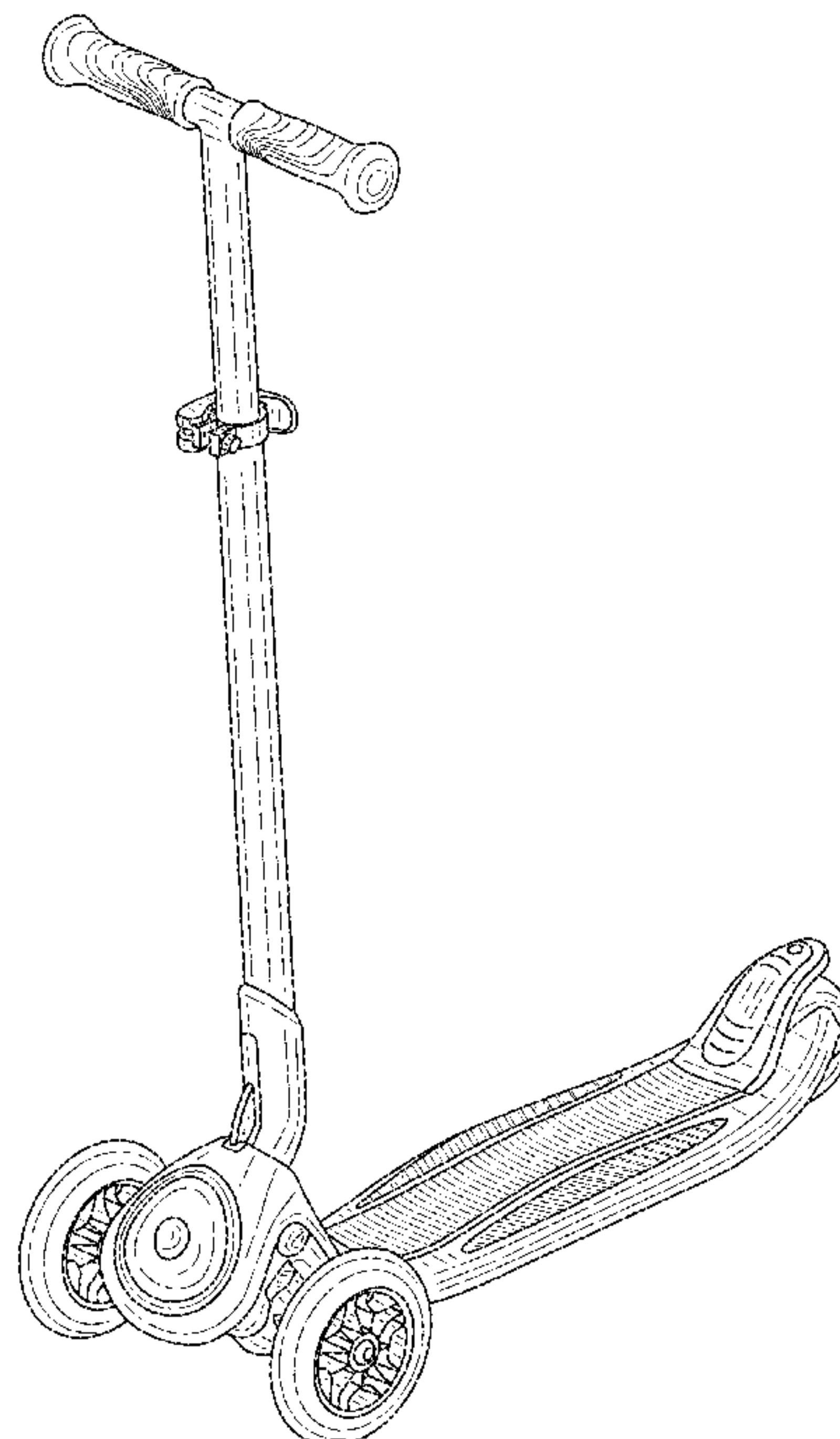
The ornamental design for a scooter, as shown and described.

DESCRIPTION

FIG. 1 is a front perspective view of a scooter;
FIG. 2 is a front side view thereof;
FIG. 3 is a back side view thereof;
FIG. 4 is a left side view thereof;
FIG. 5 is a right side view thereof;
FIG. 6 is a top view thereof;
FIG. 7 is a bottom view thereof; and,
FIG. 8 is a front perspective view of the scooter of FIGS. 1 through 7 in a folded position, all other surfaces being the same.

The broken lines are for the purpose of illustrating portions of the article that form no part of the claim.

1 Claim, 8 Drawing Sheets



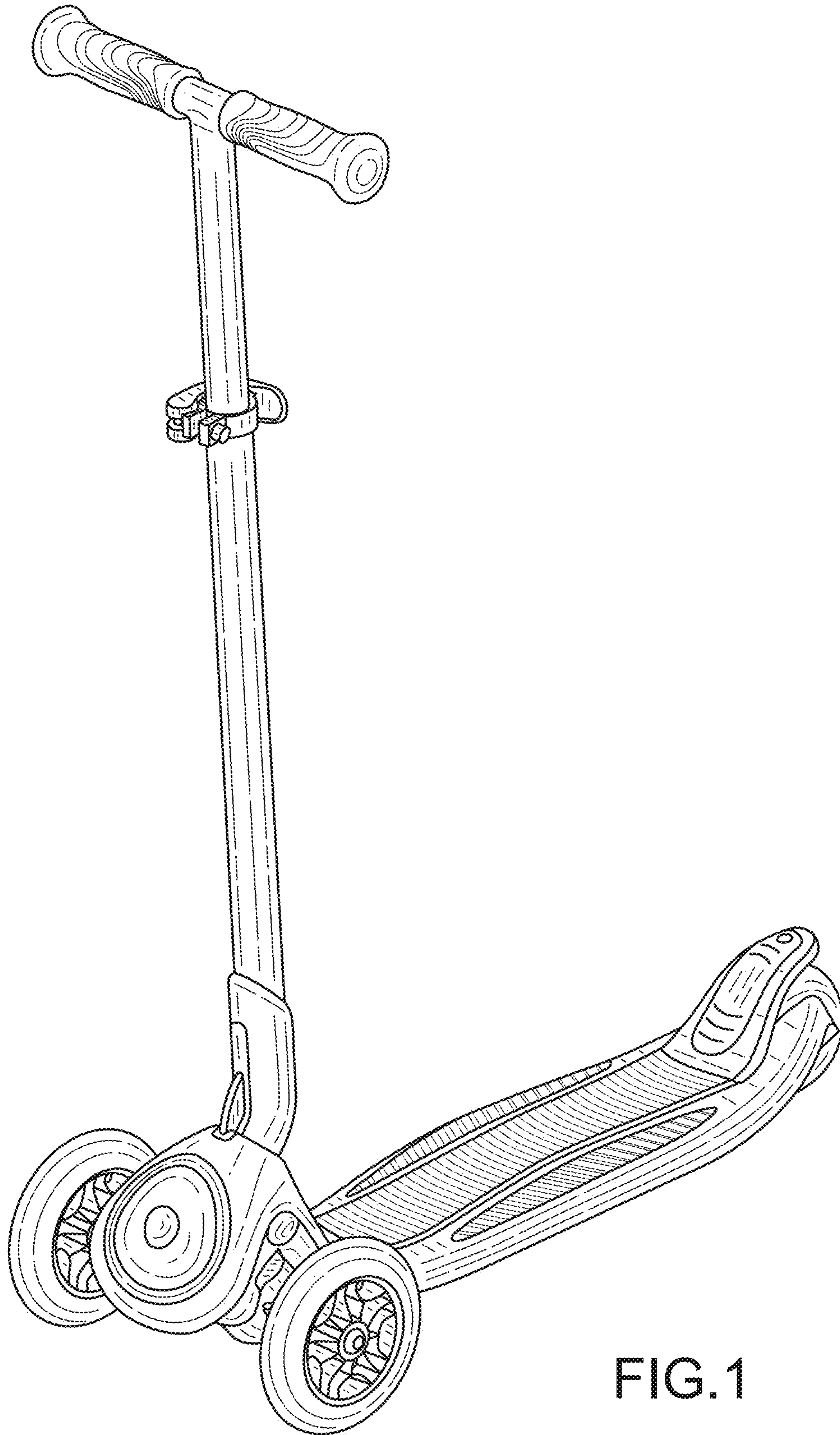


FIG. 1

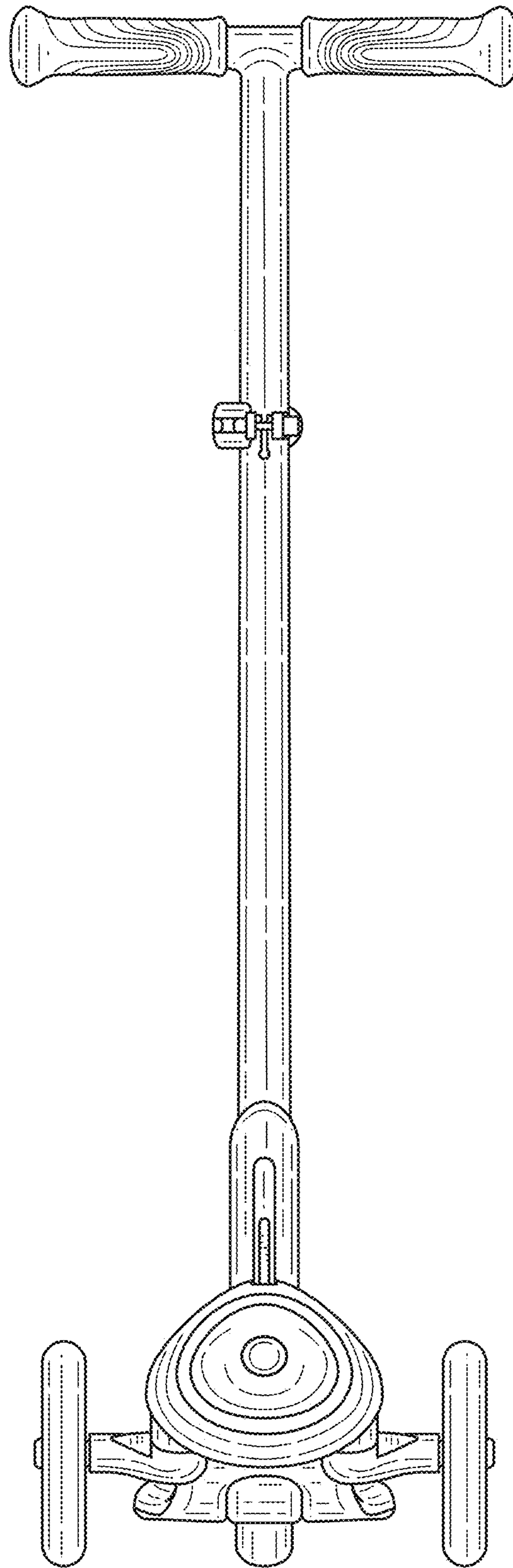


FIG.2

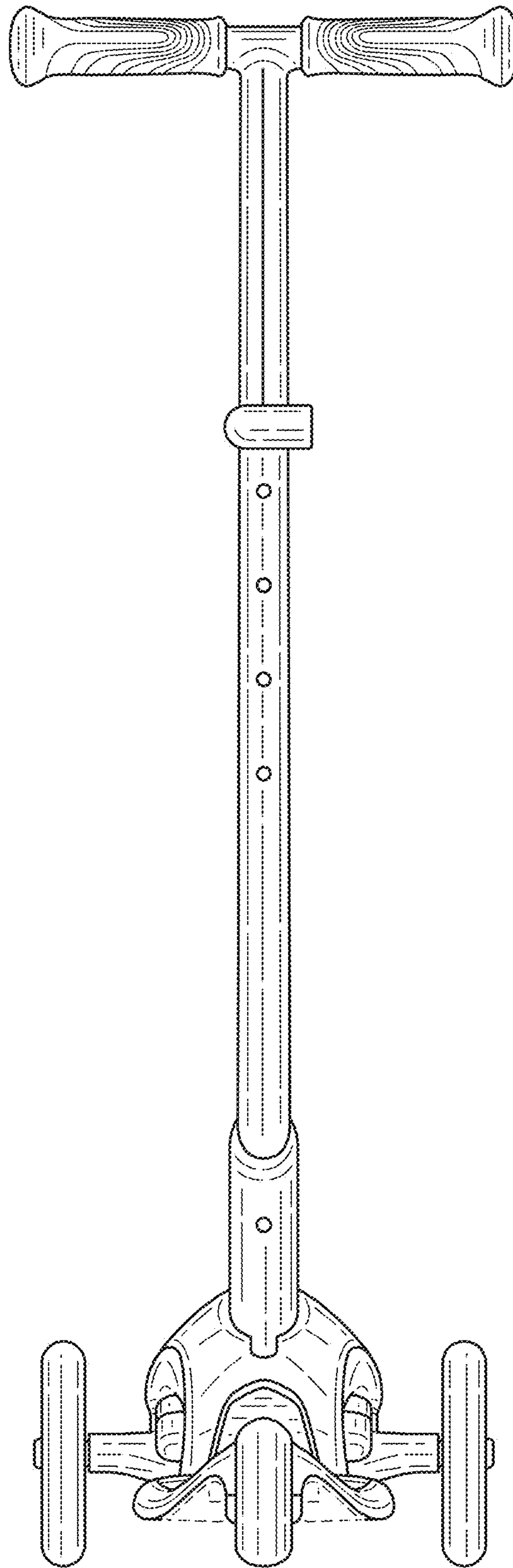


FIG.3

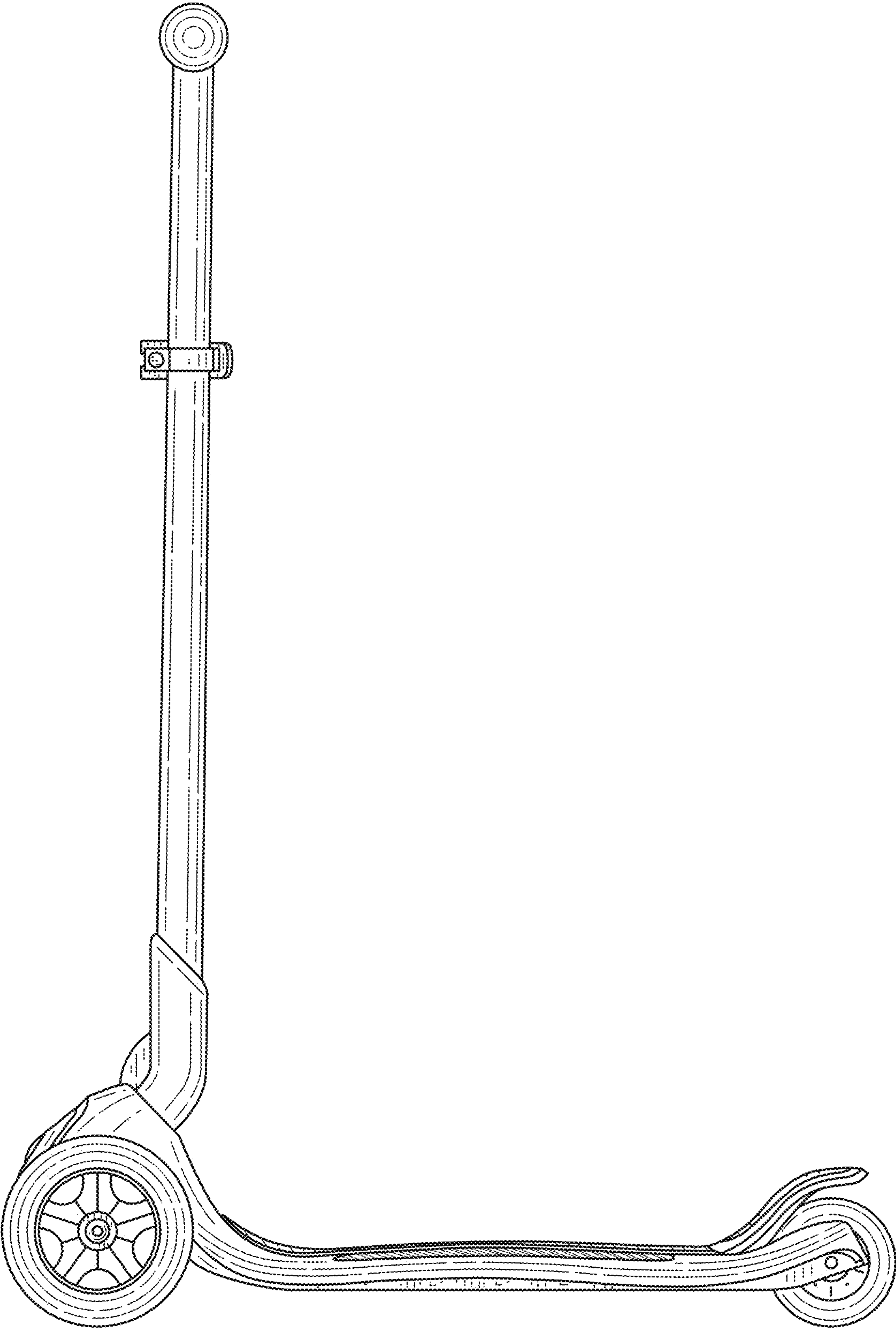


FIG.4

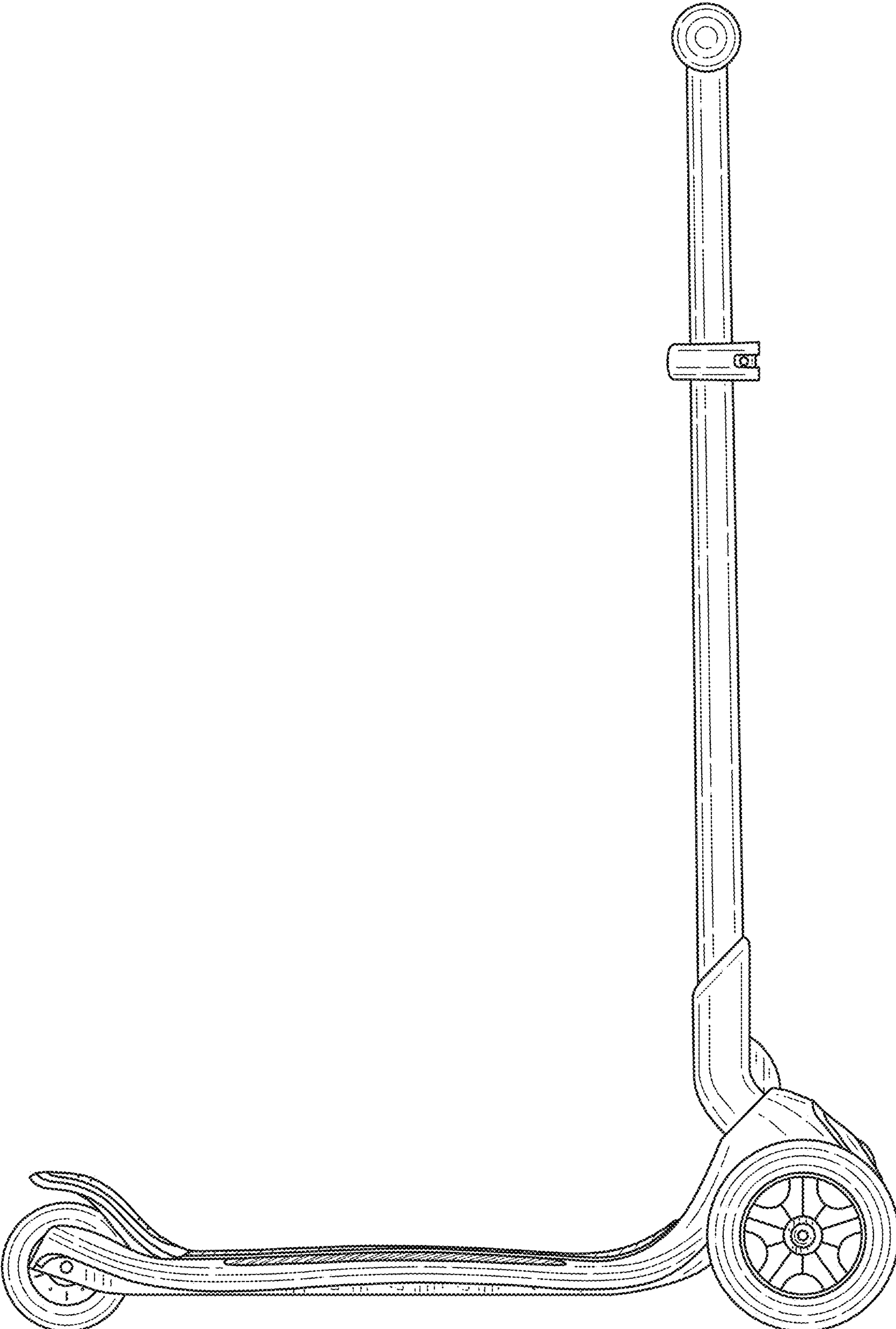


FIG.5

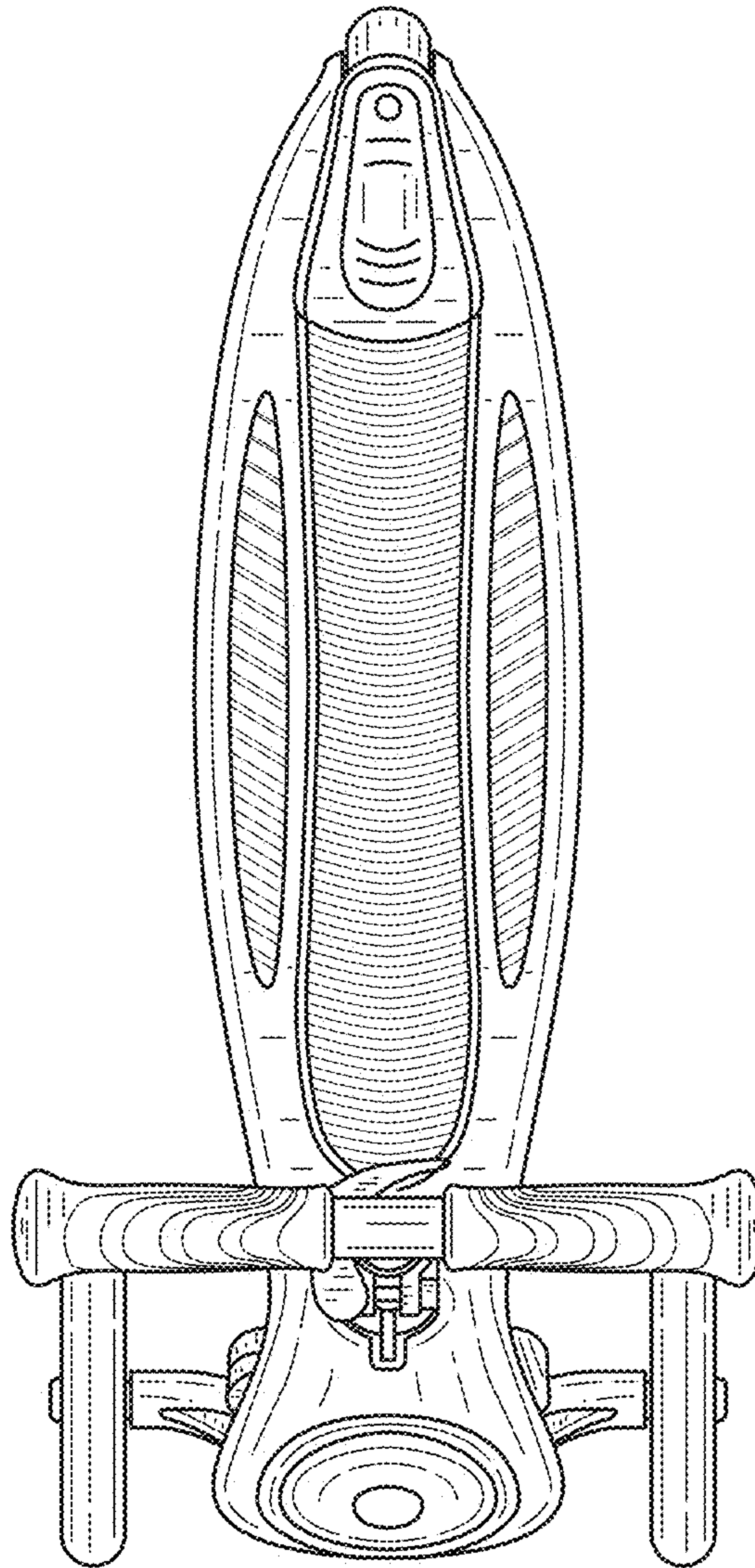


FIG.6

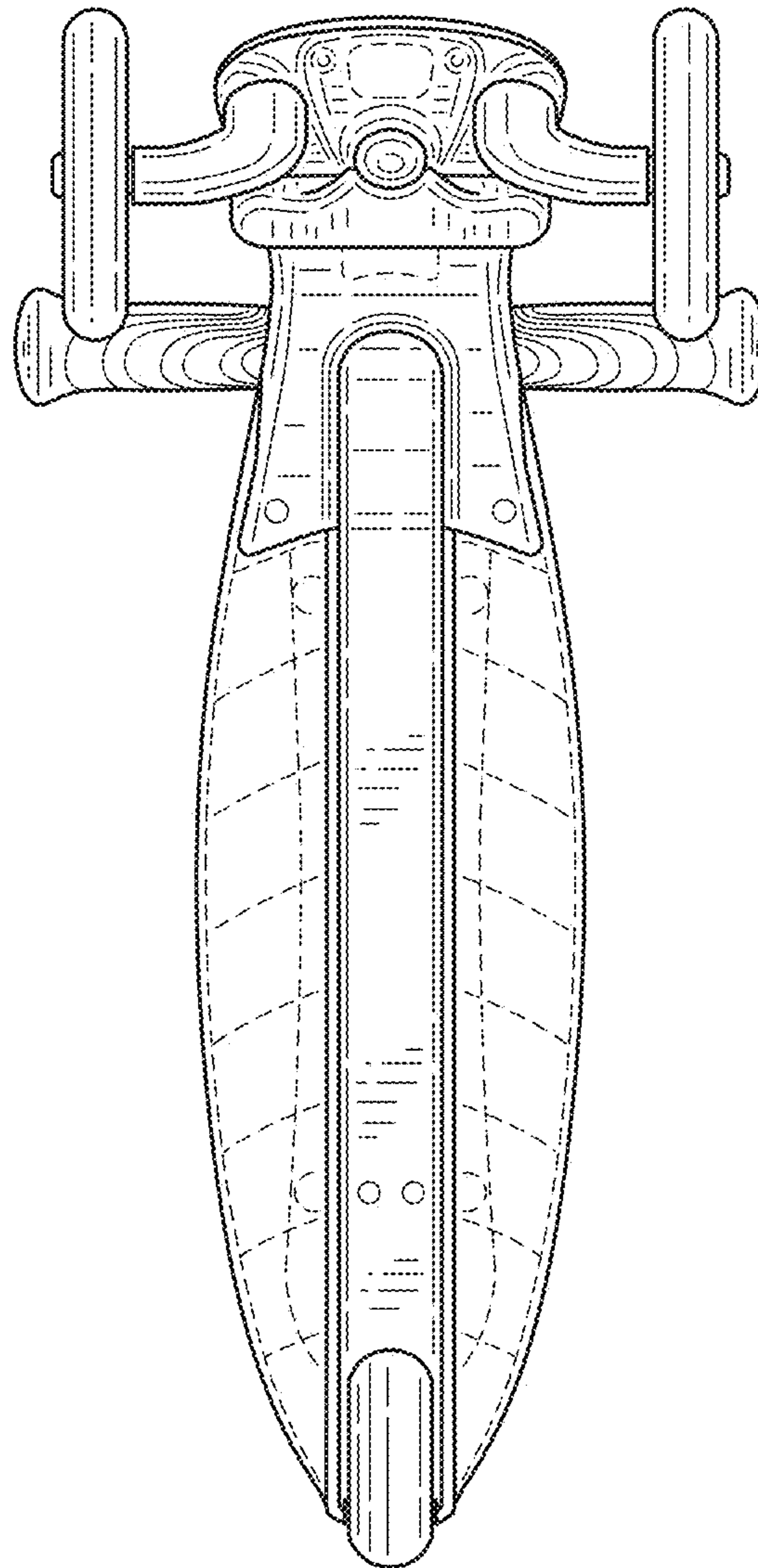


FIG. 7

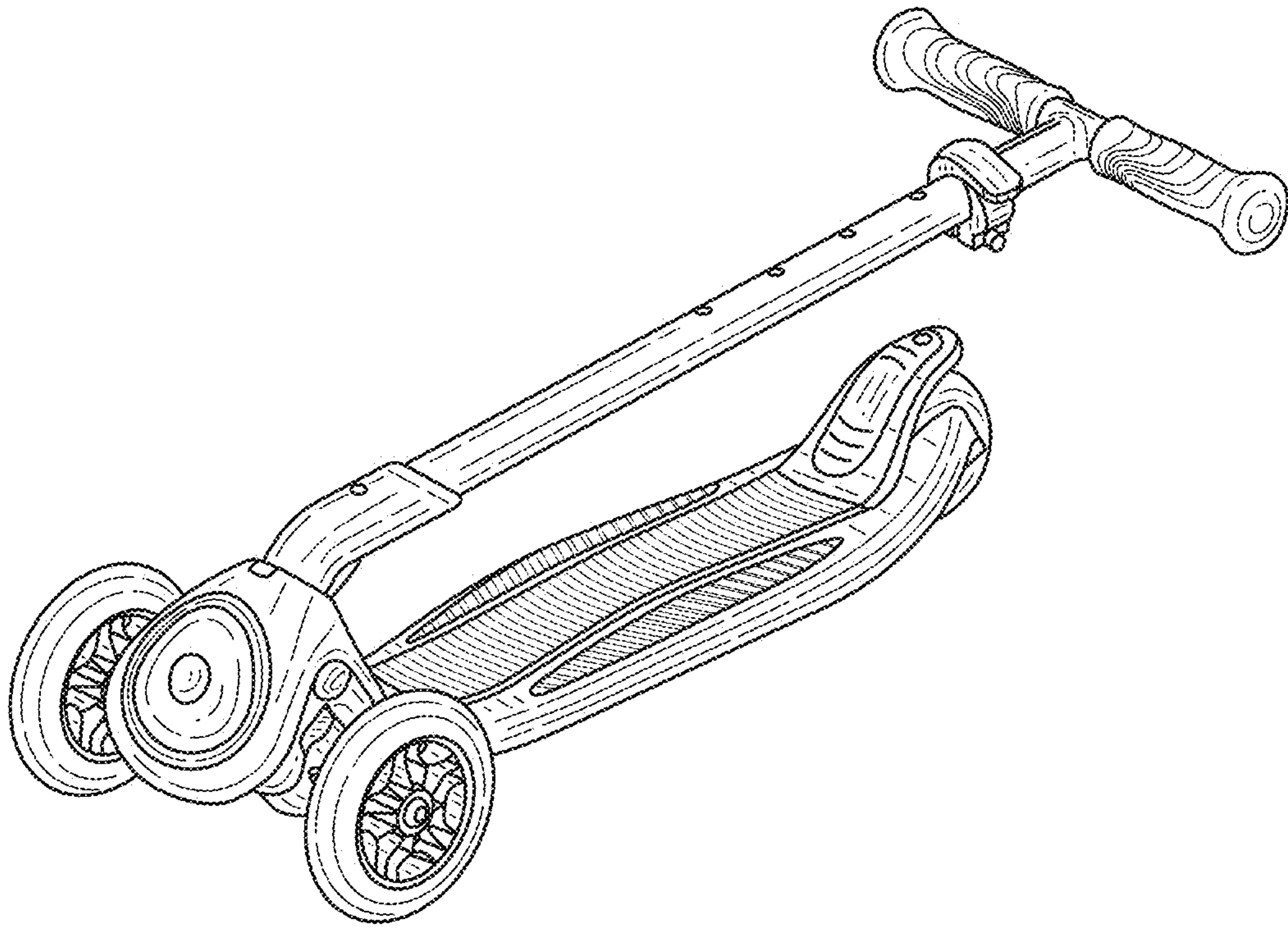


FIG.8