



US00D898832S

(12) **United States Design Patent**
Kim

(10) **Patent No.:** **US D898,832 S**

(45) **Date of Patent:** **** Oct. 13, 2020**

(54) **GAMING TABLE COMBINED WITH DISPLAY**

(71) Applicant: **Sung Eun Kim**, Seoul (KR)

(72) Inventor: **Sung Eun Kim**, Seoul (KR)

(**) Term: **15 Years**

(21) Appl. No.: **29/650,376**

(22) Filed: **Jun. 6, 2018**

(30) **Foreign Application Priority Data**

Dec. 8, 2017 (KR) 30-2017-0058179

(51) **LOC (12) Cl.** **21-01**

(52) **U.S. Cl.**
USPC **D21/397**; D21/329; D21/324

(58) **Field of Classification Search**
USPC D21/304, 397, 300, 301, 313, 314, 318, D21/321, 334, 338, 339, 365; 473/591, 473/569; 273/336-338, 309, 317.1, 317, 273/343, 348, 407, 108, 126 R, 127 R, 273/236, 277, 282.3, 287, 148 R, 440, 273/441

CPC A63F 2007/3674; A63F 2009/0213; A63F 9/02; A63F 9/0204; A63F 7/0664; A63F 7/00; A63F 7/0005; A63F 7/0017; A63F 7/0023; A63F 7/30; A63F 7/36; A63F 3/00028; A63F 3/00173; A63F 3/00895; A63F 2009/0217; A63H 33/18; A63B 2067/063; A63B 2067/065; A63B 65/00; A63B 67/04; A63B 67/06

See application file for complete search history.

(56) **References Cited**

U.S. PATENT DOCUMENTS

D473,269 S * 4/2003 Tsuda D21/329
D537,887 S * 3/2007 Gardiner D21/397

8,267,804 B1 * 9/2012 Tsai A63D 15/04
273/126 A
8,342,925 B2 * 1/2013 Martin A63B 24/0021
463/2
D761,918 S * 7/2016 Kelly D21/369
D810,829 S * 2/2018 Loynes D21/329
D810,834 S * 2/2018 Kelly D21/397
D825,668 S * 8/2018 Hedrick D21/397
2010/0113197 A1 * 5/2010 Martin A63B 24/0021
473/588
2011/0266751 A1 * 11/2011 Tsai A63F 7/36
273/309

* cited by examiner

Primary Examiner — Susan Moon Lee

(74) *Attorney, Agent, or Firm* — Novick, Kim & Lee, PLLC; Jae Youn Kim

(57) **CLAIM**

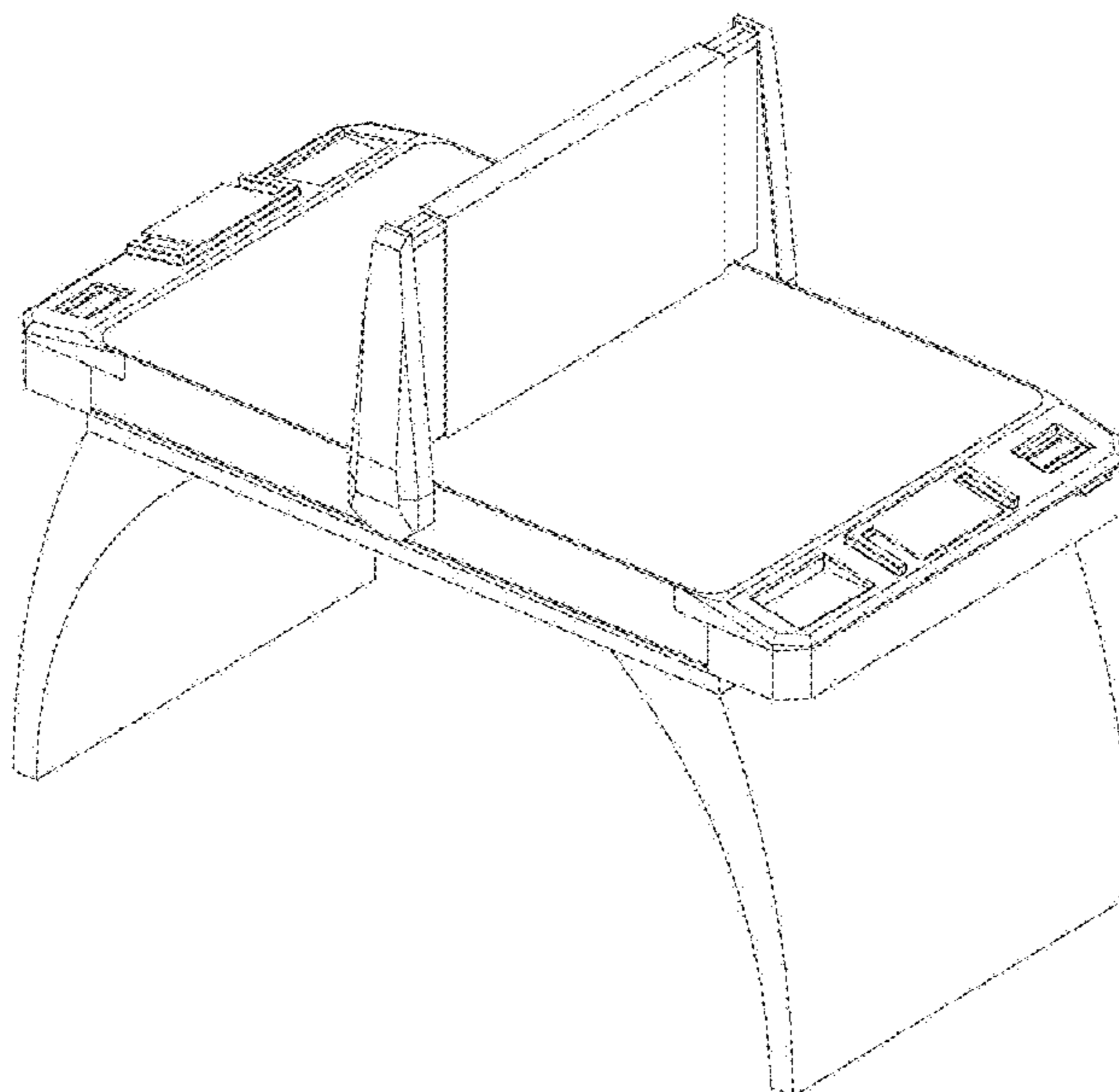
I claim, the ornamental design for a gaming table combined with display, as shown and described.

DESCRIPTION

FIG. 1 is a perspective view of a gaming table combined with display, showing my new design;
FIG. 2 is a front elevational view thereof;
FIG. 3 is a rear elevational view thereof;
FIG. 4 is a left side elevational view thereof;
FIG. 5 is a right side elevational view thereof;
FIG. 6 is a top plan view thereof; and,
FIG. 7 is a bottom plan view thereof.

The broken lines in the drawings show portions of the gaming table combined with display which form no part of the claimed design.

1 Claim, 7 Drawing Sheets



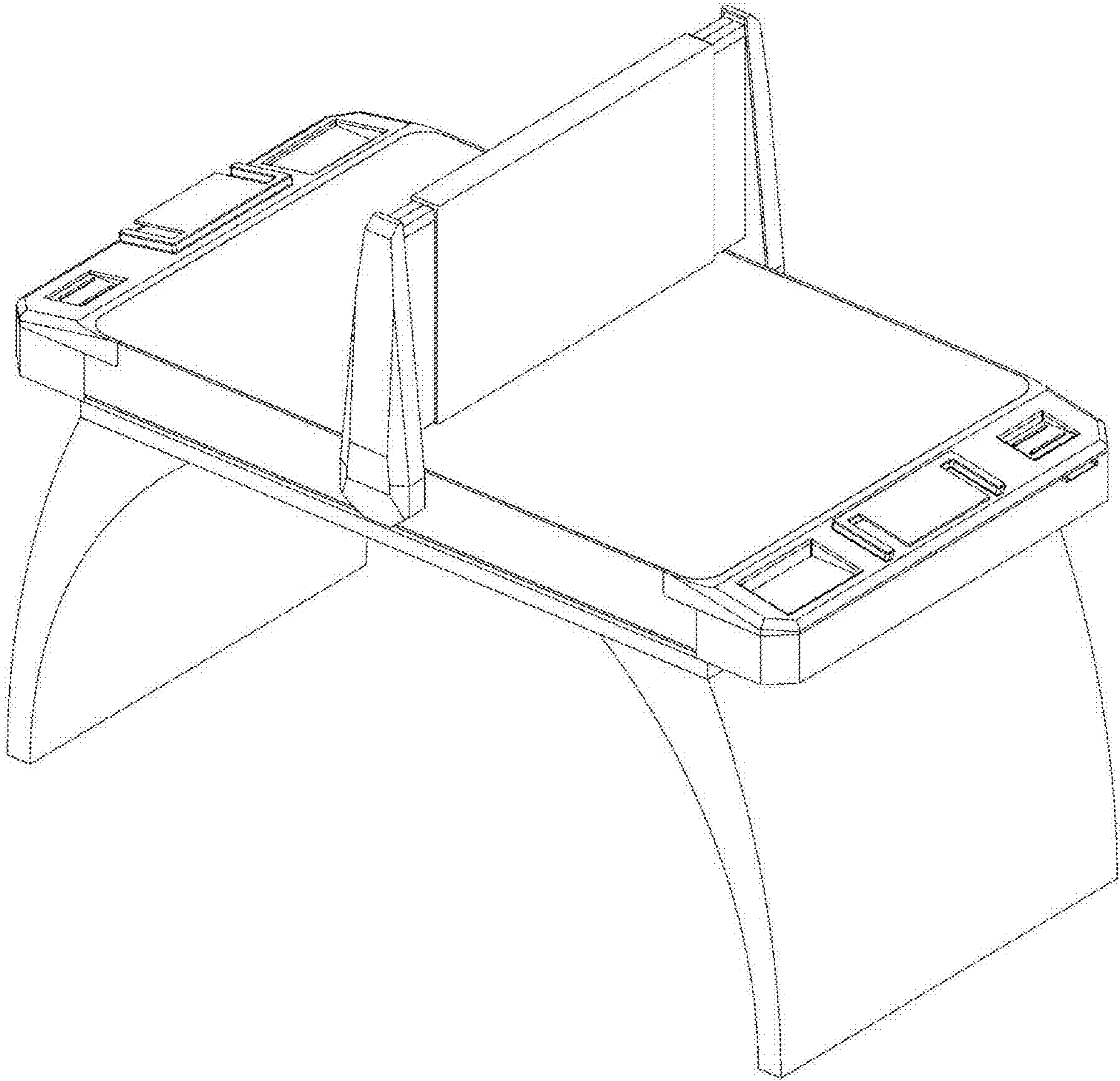


FIG. 1

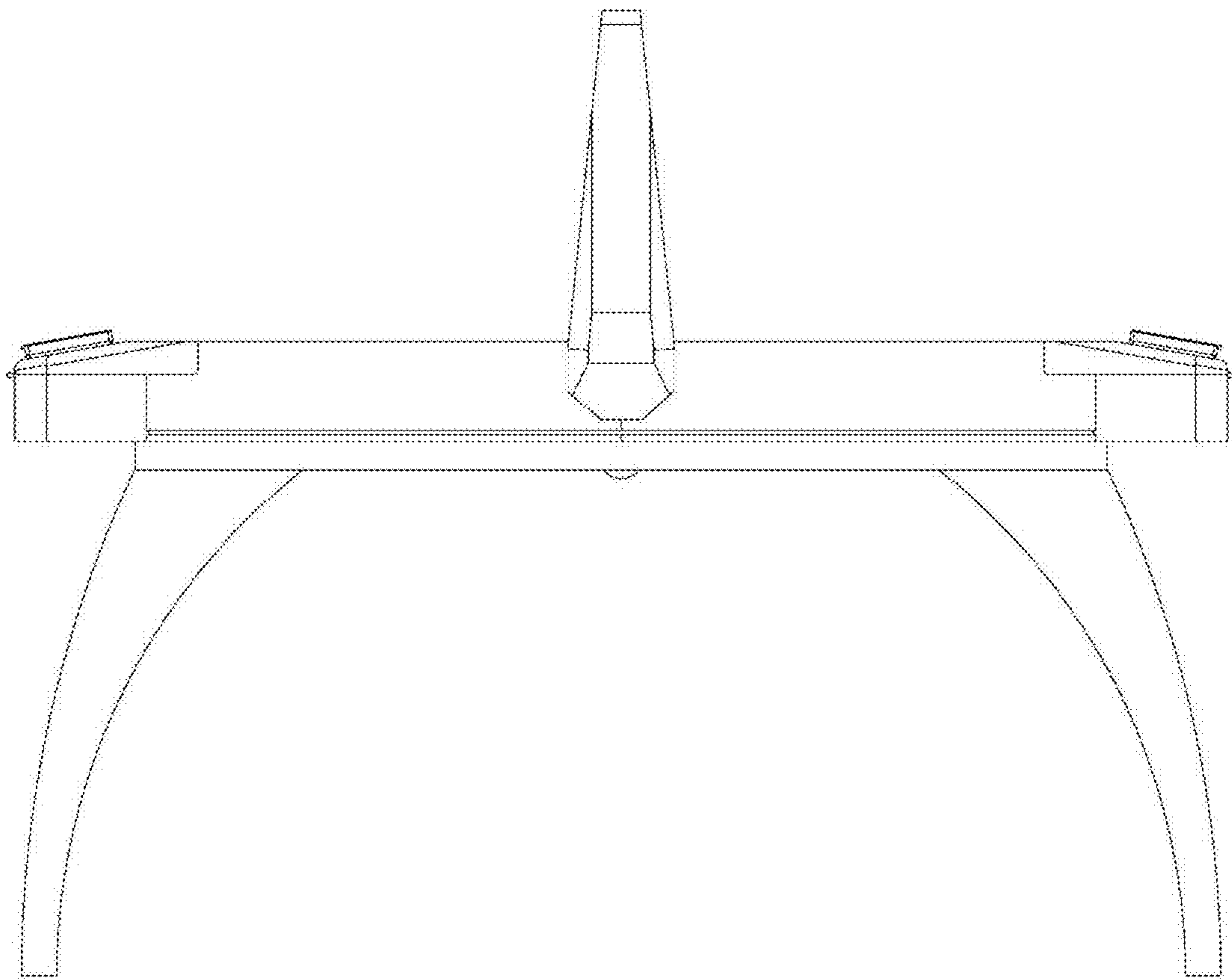


FIG. 2

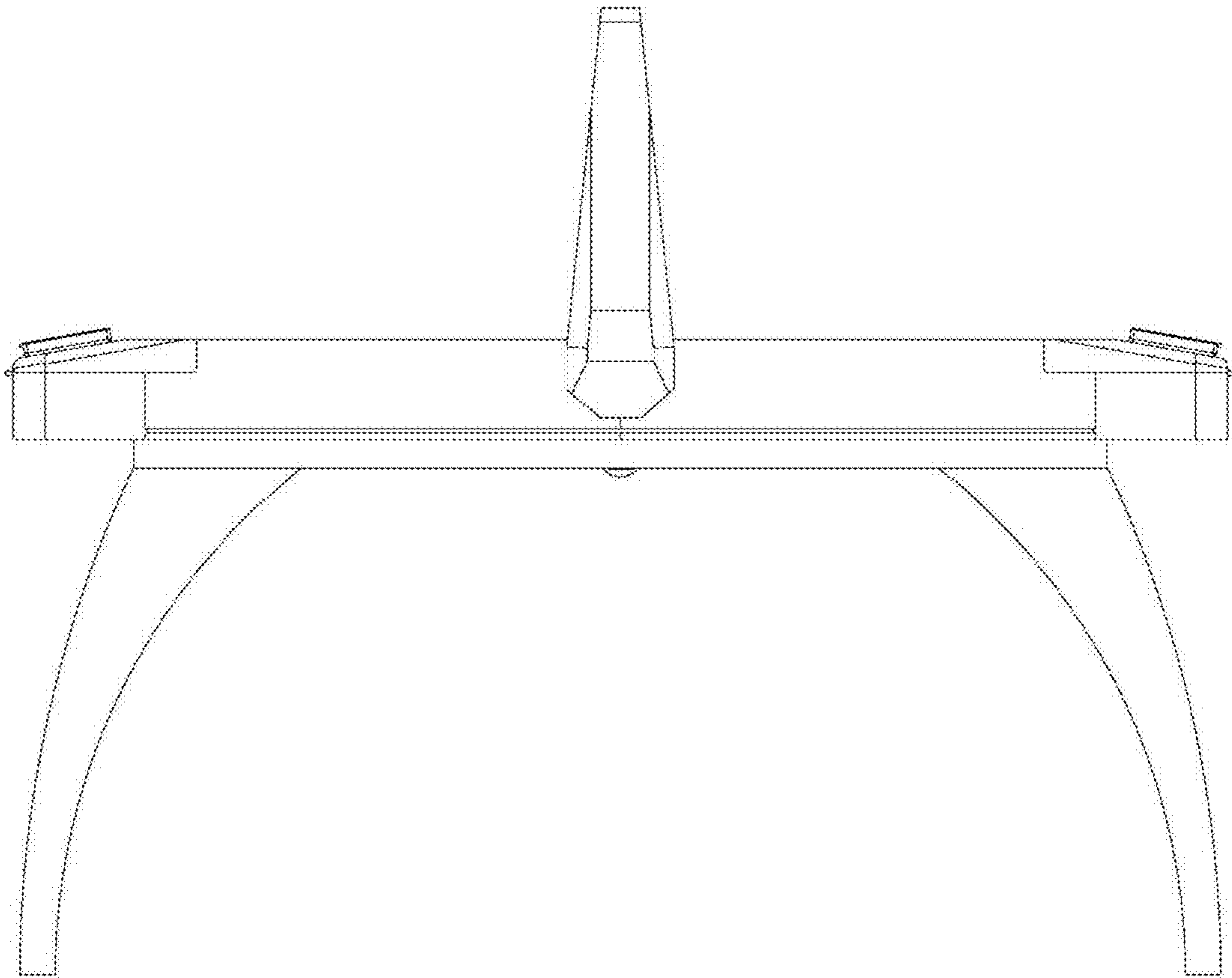


FIG. 3

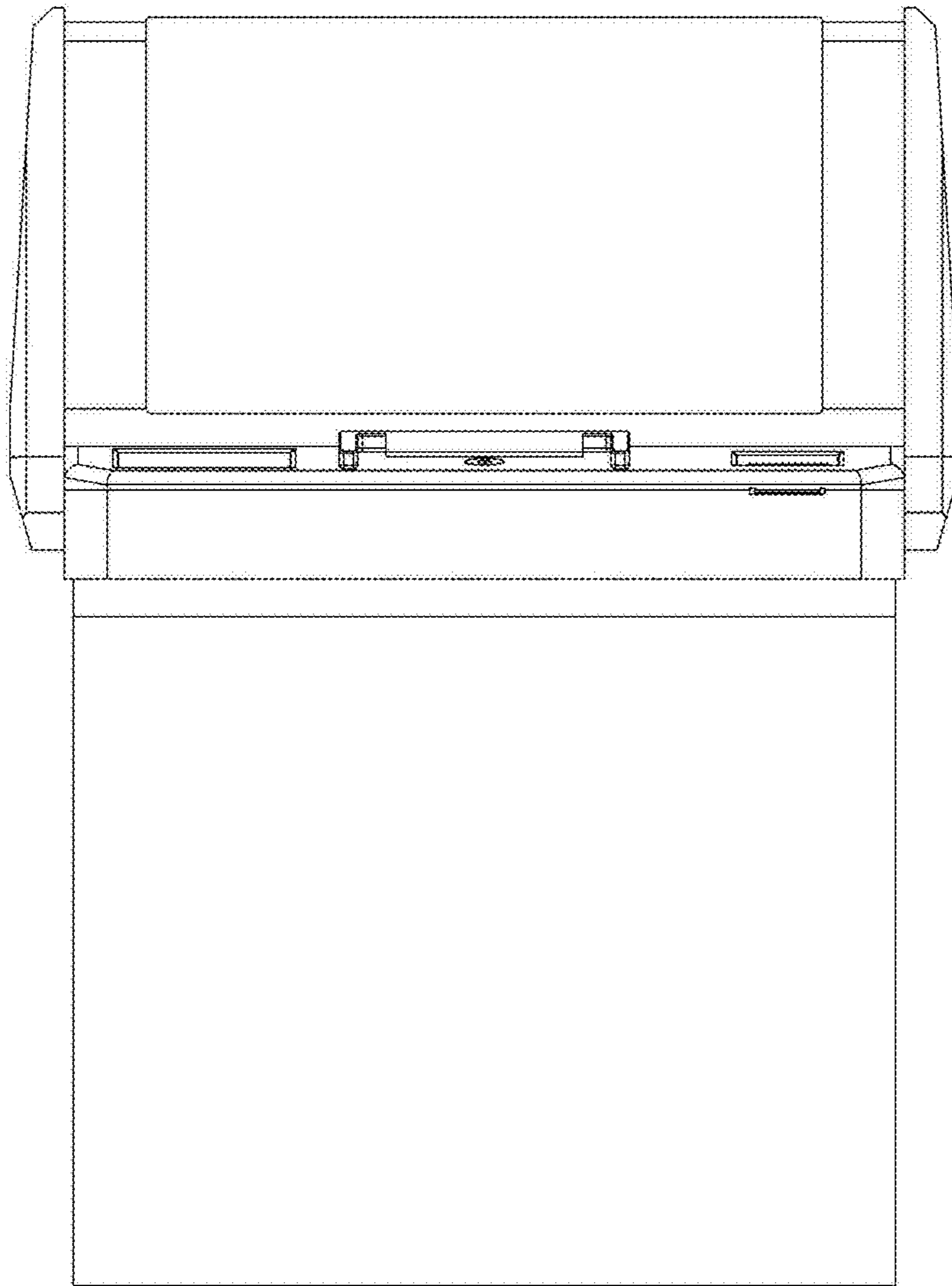


FIG. 4

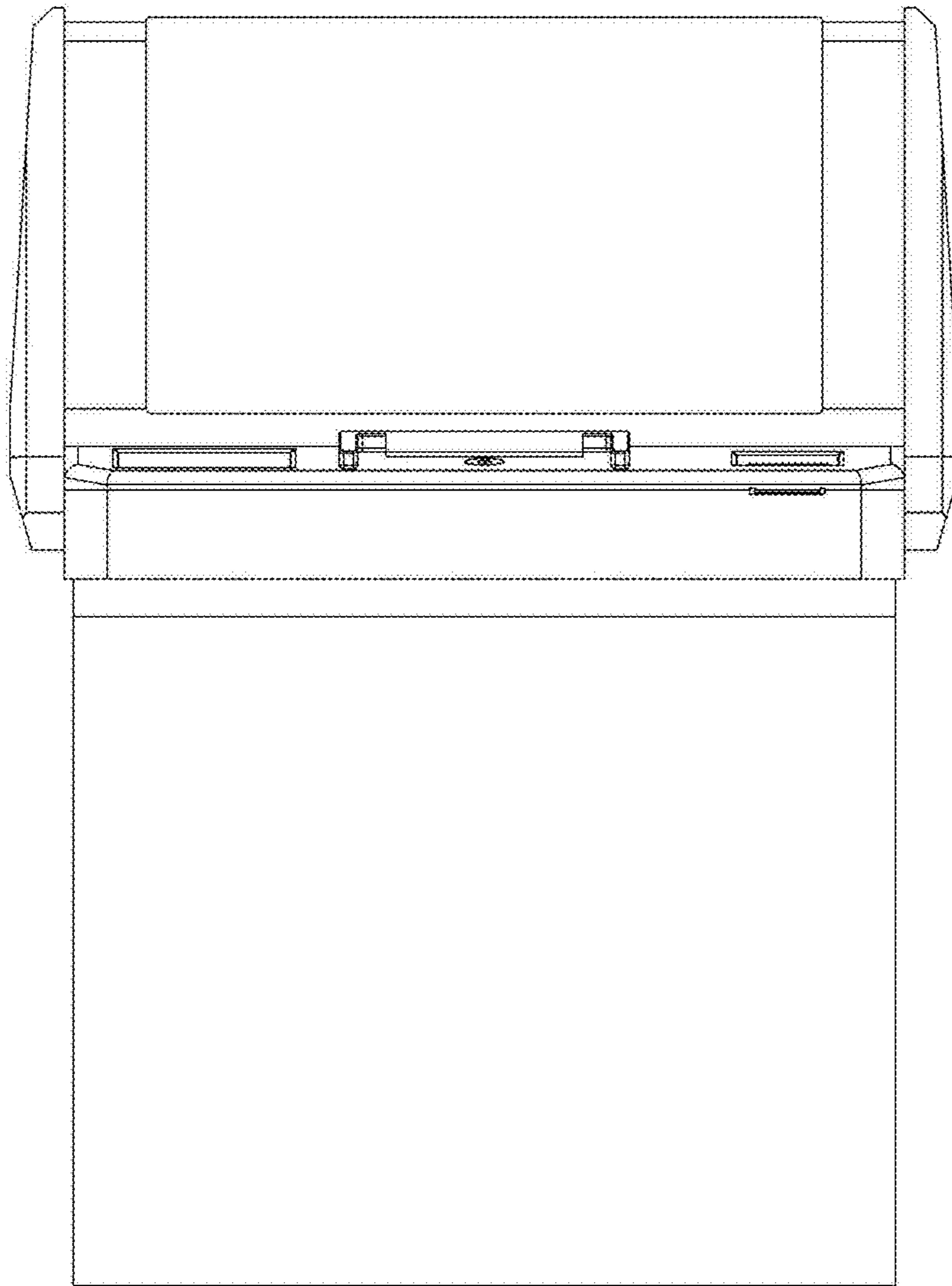


FIG. 5

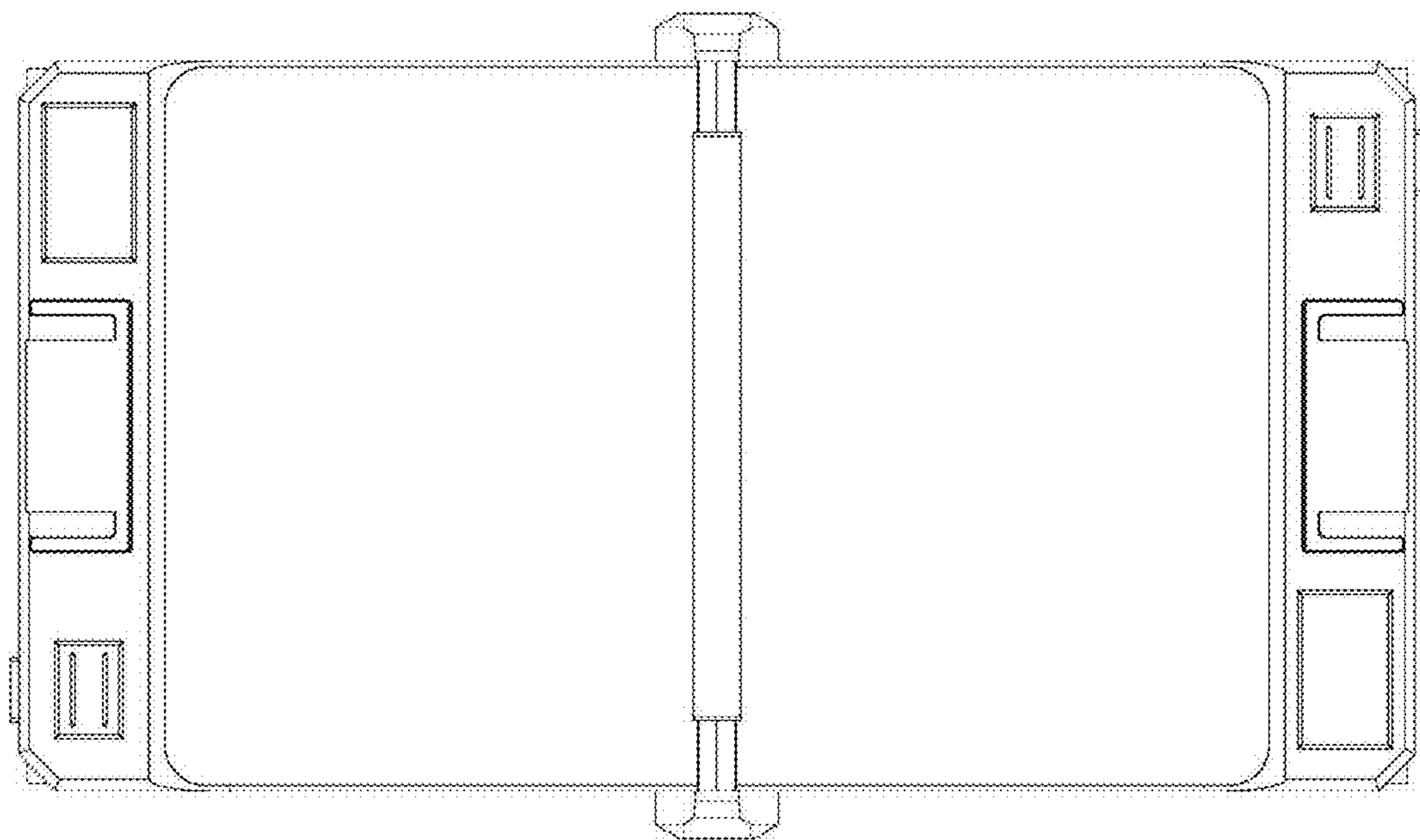


FIG. 6

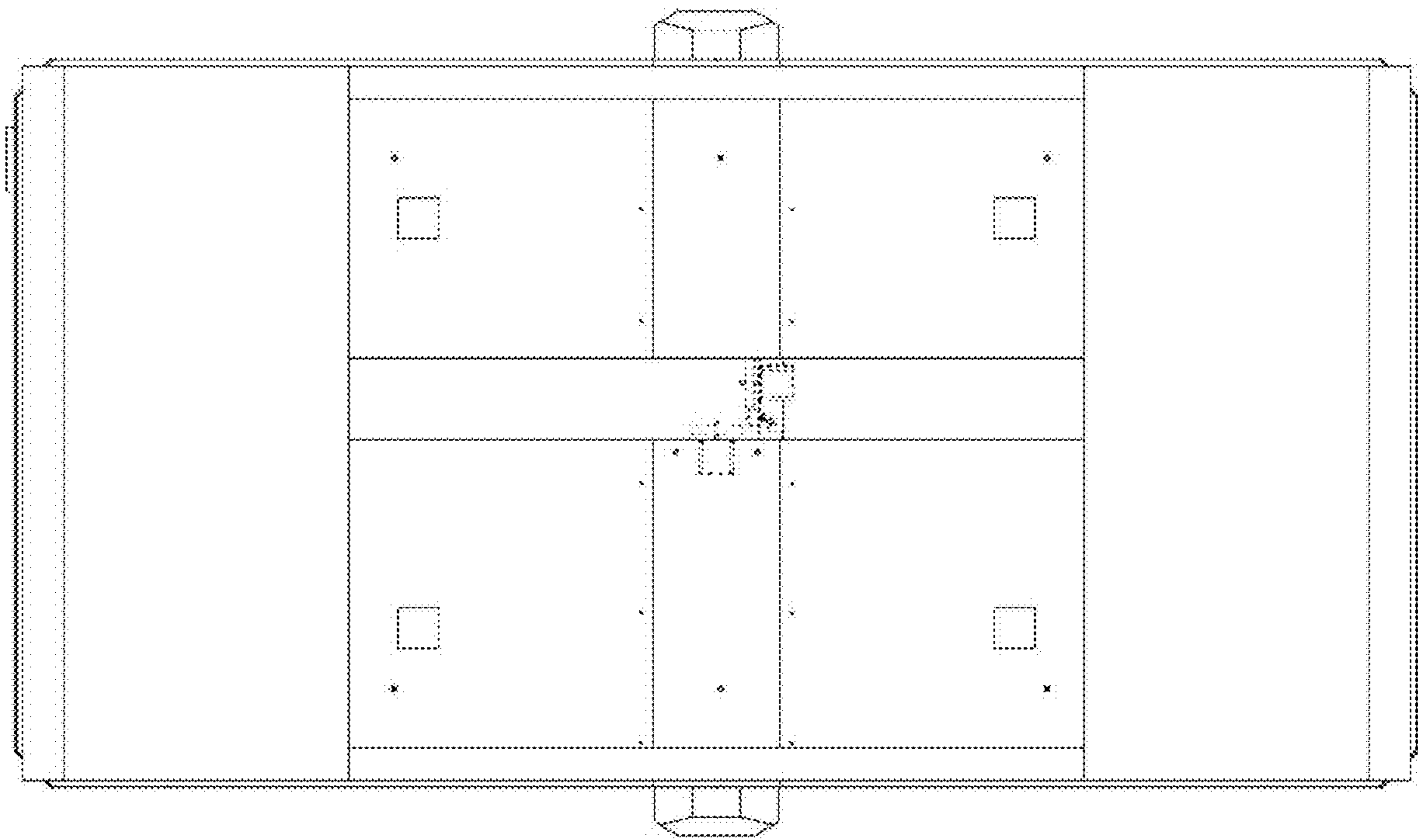


FIG. 7