

US00D898829S

(12) **United States Design Patent**
Kang

(10) **Patent No.:** **US D898,829 S**

(45) **Date of Patent:** **** Oct. 13, 2020**

(54) **BOARD FOR A BOARD GAME**

(71) Applicant: **AURUM Inc.**, Seoul (KR)

(72) Inventor: **Doo Sik Kang**, Namyangju-si (KR)

(**) Term: **15 Years**

(21) Appl. No.: **35/507,620**

(22) Filed: **Jan. 15, 2019**

(80) **Hague Agreement Data**

Int. Filing Date: **Jan. 15, 2019**

Int. Reg. No.: **DM/203647**

Int. Reg. Date: **Jan. 15, 2019**

Int. Reg. Pub. Date: **Nov. 1, 2019**

(51) **LOC (12) Cl.** **21-01**

(52) **U.S. Cl.**

USPC **D21/338**

(58) **Field of Classification Search**

USPC D21/334-368, 385, 397; D25/113-118

CPC A63H 33/04-14; A63F 9/1204; A63F
9/1208; A63F 2009/1212-1228

See application file for complete search history.

(56) **References Cited**

U.S. PATENT DOCUMENTS

D242,934 S * 1/1977 Tsukuda D21/338
D246,264 S * 11/1977 Hasegawa D21/338
4,083,564 A * 4/1978 Matsumoto A63F 3/00694
273/239

D259,049 S * 4/1981 Vogel D19/59
D264,857 S * 6/1982 Aitkens D21/338
4,474,371 A * 10/1984 Silbermintz A63F 9/1204
273/153 S
D656,559 S * 3/2012 Fuchs A63F 3/00694
D21/338
D657,824 S * 4/2012 Sorrell A63F 9/1204
D21/365
D660,371 S * 5/2012 Fuchs D21/338
D688,750 S * 8/2013 Douglas D21/336
D763,360 S * 8/2016 Rouse, Jr. D21/338

* cited by examiner

Primary Examiner — George D. Kirschbaum

Assistant Examiner — Joseph J Kukella

(57) **CLAIM**

The ornamental design for a board for a board game, as shown and described.

DESCRIPTION

1. A board for a board game

1.1 : Perspective

1.2 : Front

1.3 : Back

1.4 : Top

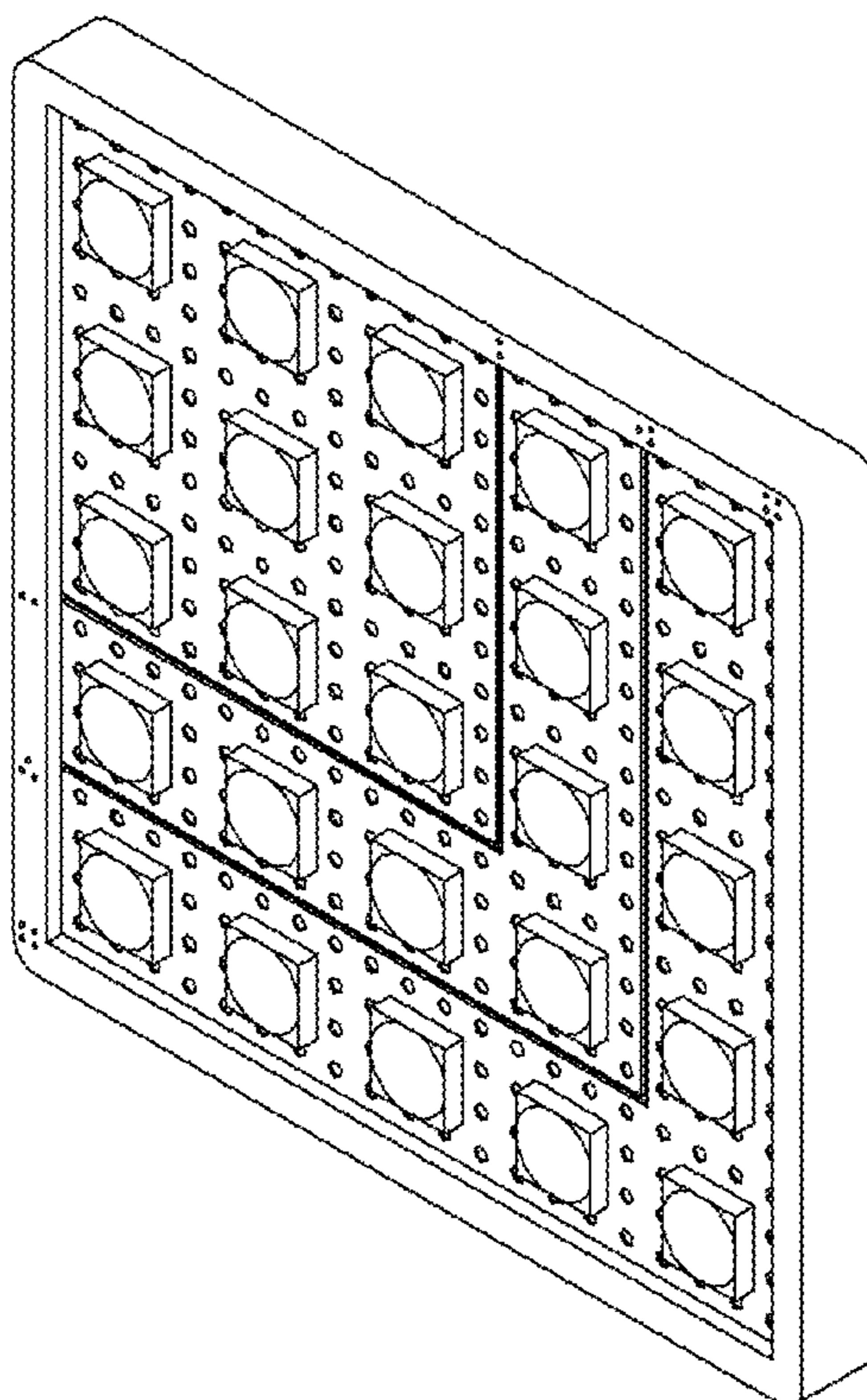
1.5 : Bottom

1.6 : Left

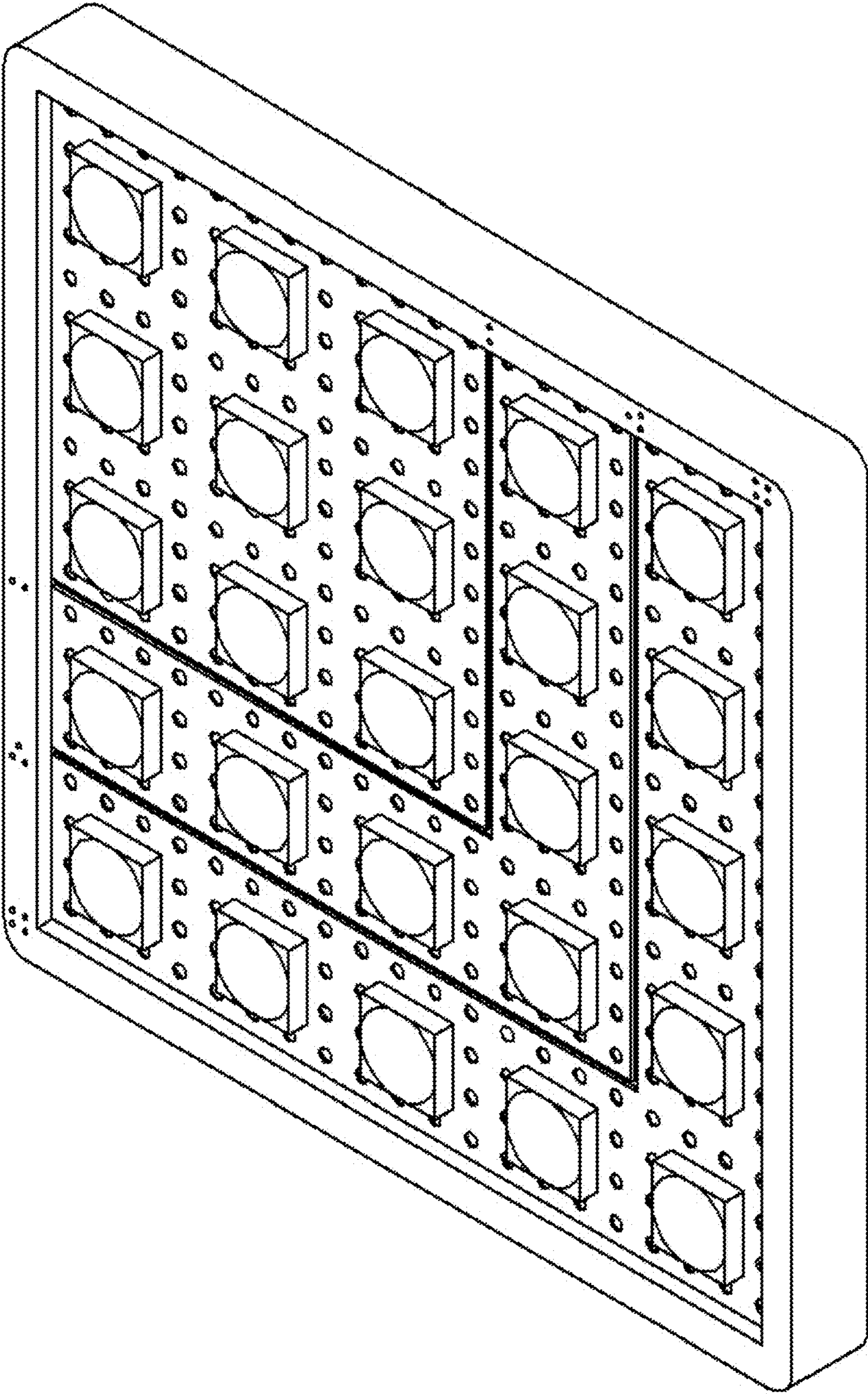
1.7 : Right

The material is plastic; a board which is one of components of a board game; two, three or four players can play with it.

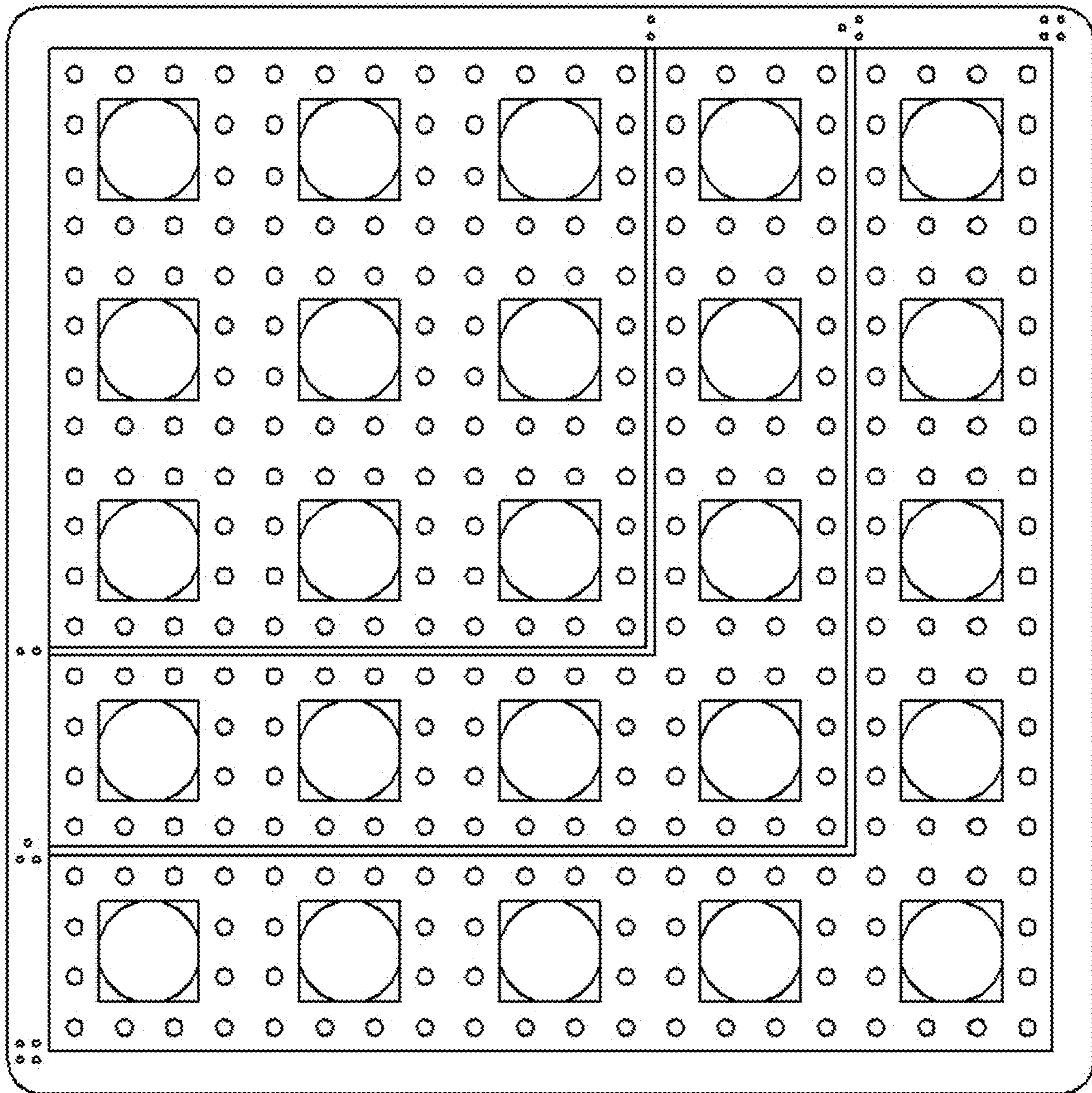
1 Claim, 7 Drawing Sheets



1.1



1.2



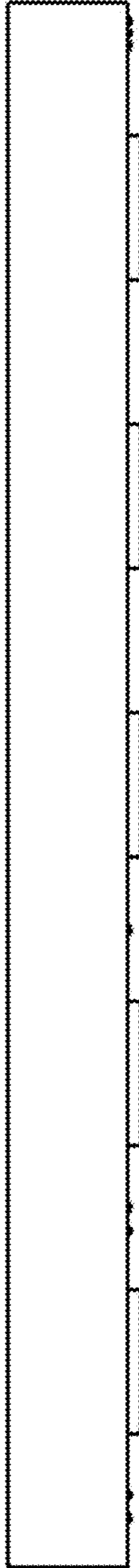
1.4



1.5



1.6



1.7

