

US00D898828S

(12) **United States Design Patent** (10) **Patent No.:** **US D898,828 S**
Lee (45) **Date of Patent:** **** Oct. 13, 2020**

(54) **PINBALL GAME BOARD**
(71) Applicant: **Andy Dao Quang Lee**, Walnut, CA (US)
(72) Inventor: **Andy Dao Quang Lee**, Walnut, CA (US)

(**) Term: **15 Years**

(21) Appl. No.: **29/716,959**

(22) Filed: **Dec. 13, 2019**

(51) **LOC (12) Cl.** **21-01**

(52) **U.S. Cl.**

USPC **D21/323**; D21/312; D21/313

(58) **Field of Classification Search**

USPC D21/310, 312-323, 324, 325, 328, D21/338-341, 371; 273/108, 118 R, 273/119 R, 120 R, 121 R, 121 B, 121 D, 273/121 E, 122 R, 123 R, 124 R, 129 T, 273/138.3, 138.4

CPC A63F 7/02-048; A63F 2007/282; A63F 2007/284; A63F 2007/288; A63F 2007/3005; A63F 2007/341; A63F 2007/345; A63F 2007/346; A63F 2007/3611; A63F 2007/3625; A63F 2007/3633; A63F 2007/3651

See application file for complete search history.

(56) **References Cited**

U.S. PATENT DOCUMENTS

503,318 A * 8/1893 Hawkes A63F 7/3622
273/120 R
600,086 A * 3/1898 Lufsky A63F 7/025
273/124 R
768,300 A * 8/1904 Probes A63F 7/00
273/138.3
824,879 A * 7/1906 Miller A63F 7/0608
273/108.3
1,444,683 A * 2/1923 Haas A63F 7/025
273/121 D

1,600,624 A * 9/1926 De Boer A63F 7/025
273/119 R
D86,586 S * 3/1932 Smith, Jr. D21/313
D88,117 S * 10/1932 Troendley et al. D21/323
1,925,018 A * 8/1933 Weiss A63F 7/025
273/121 D
2,188,825 A * 1/1940 Vlaun A63F 7/22
473/109
2,409,547 A * 10/1946 Cox A63F 7/025
273/129 R
D187,599 S * 4/1960 Wright D21/312
3,278,187 A * 10/1966 Sinden A63F 7/02
273/118 R

(Continued)

FOREIGN PATENT DOCUMENTS

DE 9311344 U1 * 9/1993 A63F 7/02
FR 1081077 A * 12/1954 A63F 7/025

(Continued)

Primary Examiner — Catherine A Tuttle
(74) *Attorney, Agent, or Firm* — KA Filing LLC; Wayne V. Harper; Cynthia Flanigan

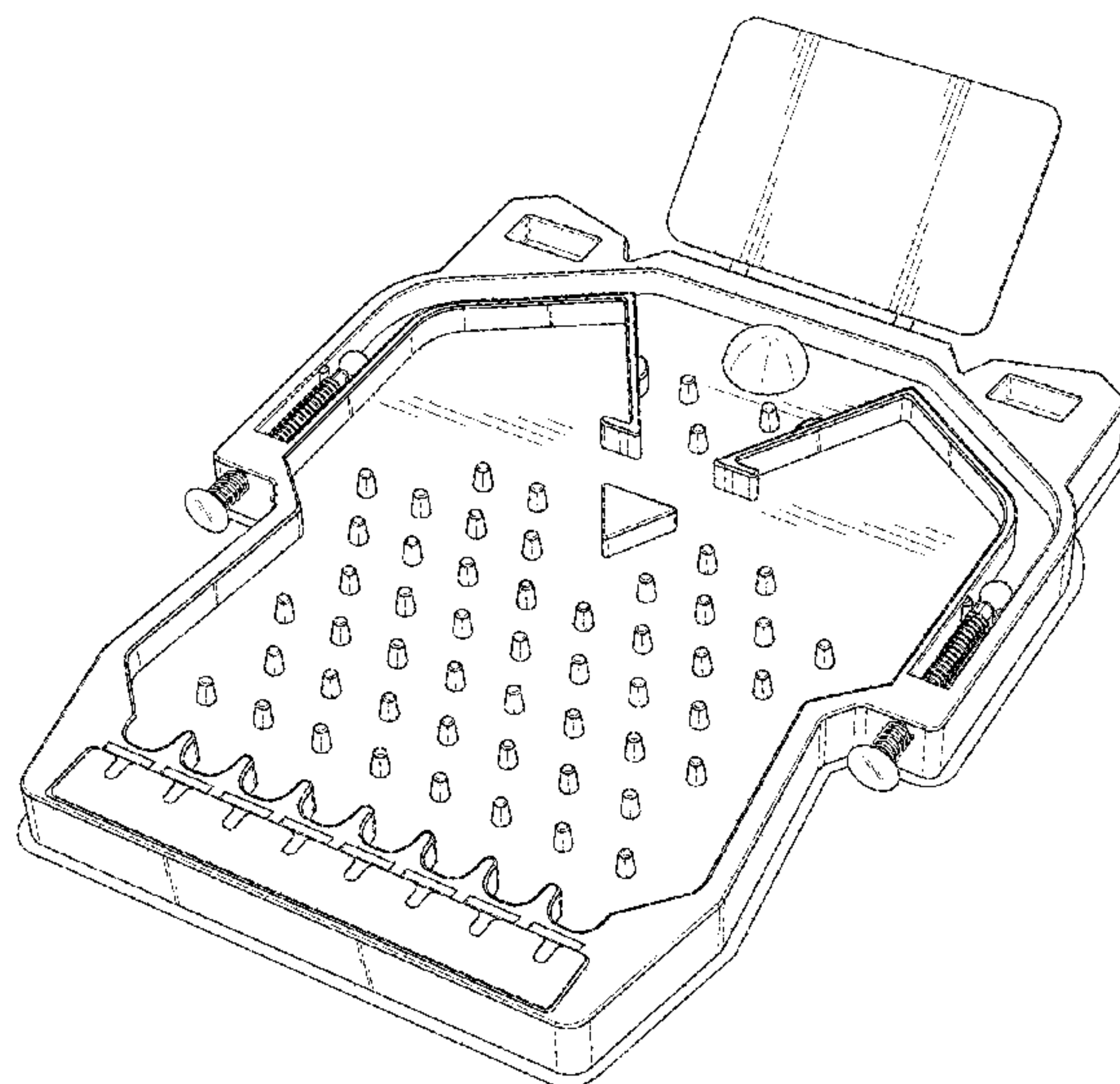
(57) **CLAIM**

I claim the ornamental design for a pinball game board, as shown and described.

DESCRIPTION

FIG. 1 is a Perspective view of a pinball game board showing my new design;
FIG. 2 is a Top view thereof wherein the support element projecting from the rear in FIGS. 4-6 is shown in an alternate retracted position;
FIG. 3 is a Bottom view thereof;
FIG. 4 is a Right-side view thereof;
FIG. 5 is a Left-side view thereof;
FIG. 6 is a Front view thereof; and,
FIG. 7 is a Back view thereof.

1 Claim, 6 Drawing Sheets



(56)

References Cited

U.S. PATENT DOCUMENTS

3,433,484 A * 3/1969 Wallenmeyer A63F 7/00
273/120 R
3,711,094 A * 1/1973 Coffman A63F 7/025
463/69
3,807,736 A * 4/1974 Goldfarb A63D 13/00
273/122 R
4,334,679 A * 6/1982 Doyle A63F 7/027
463/3
4,431,186 A * 2/1984 Gold A63D 15/00
273/123 R
5,961,116 A * 10/1999 Beyer A63F 7/027
273/108.1

FOREIGN PATENT DOCUMENTS

FR 1123730 A * 9/1956 A63F 7/025
WO WO-2007112157 A2 * 10/2007 A63F 7/02

* cited by examiner

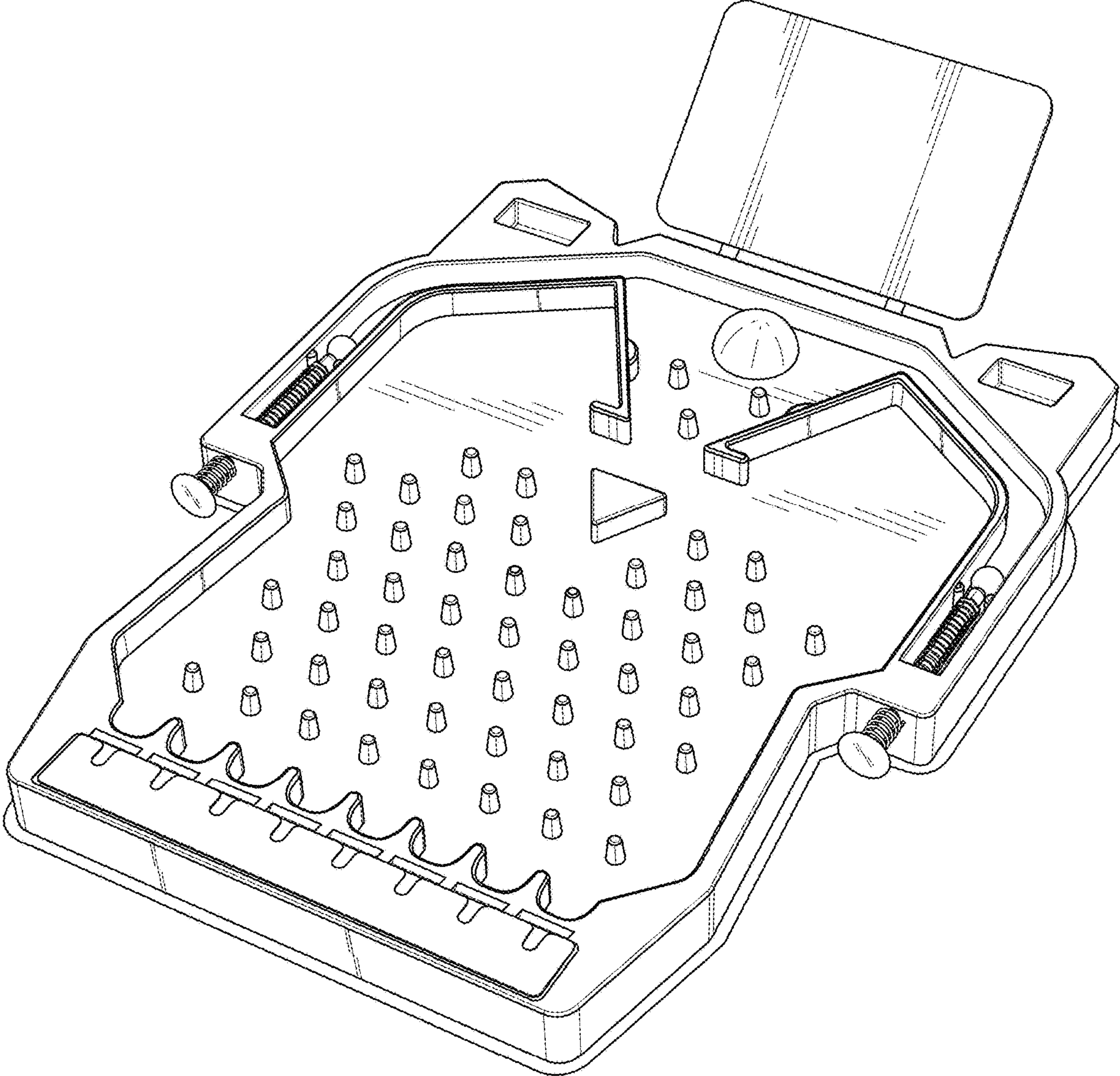


FIG. 1

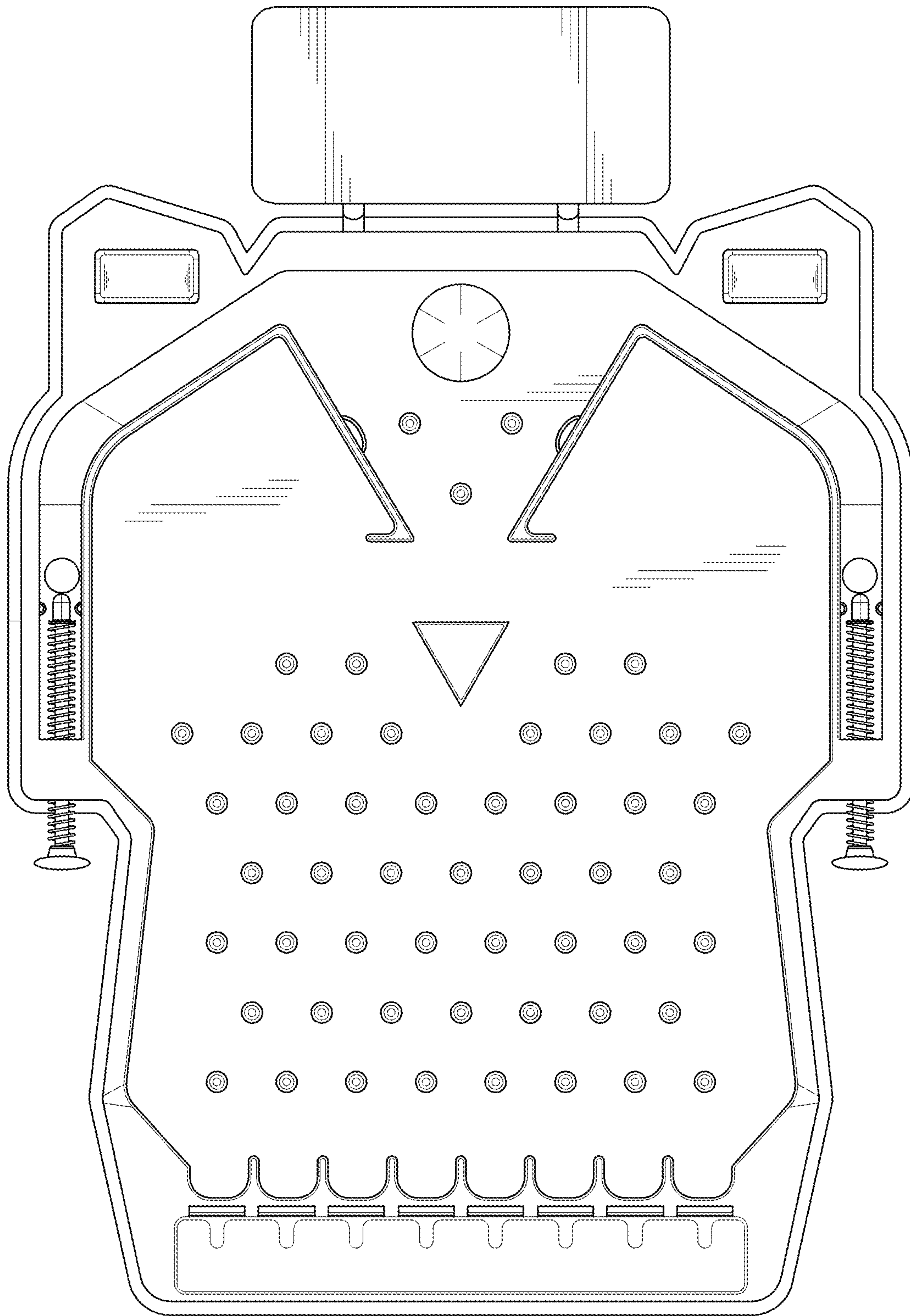


FIG. 2

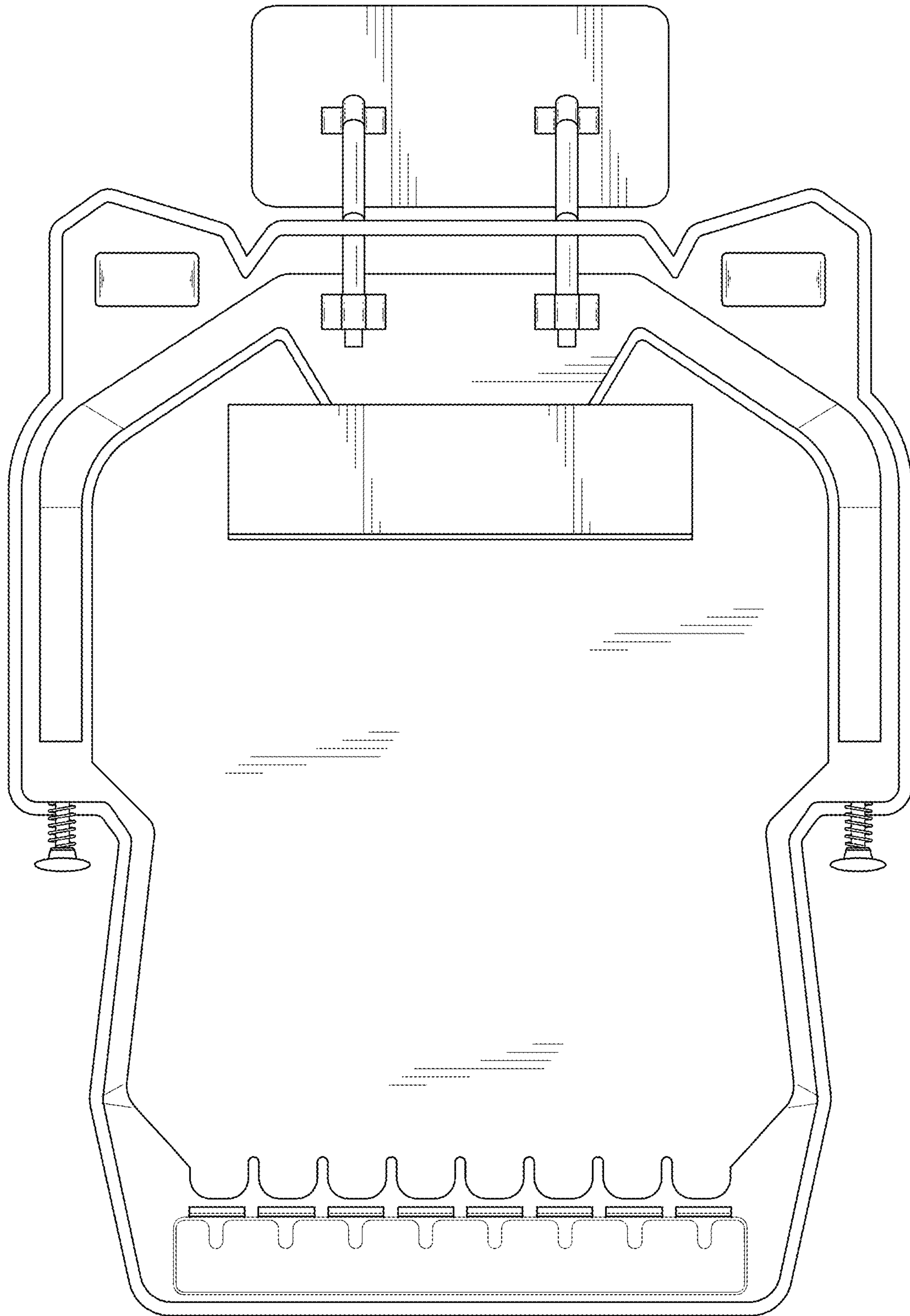


FIG. 3

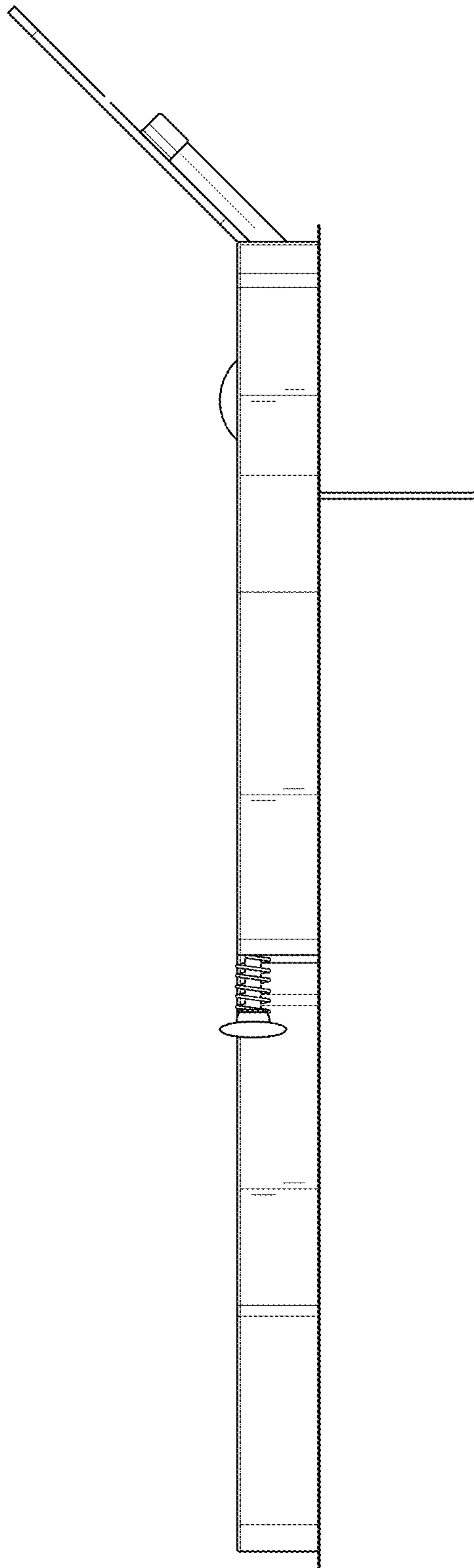


FIG. 4

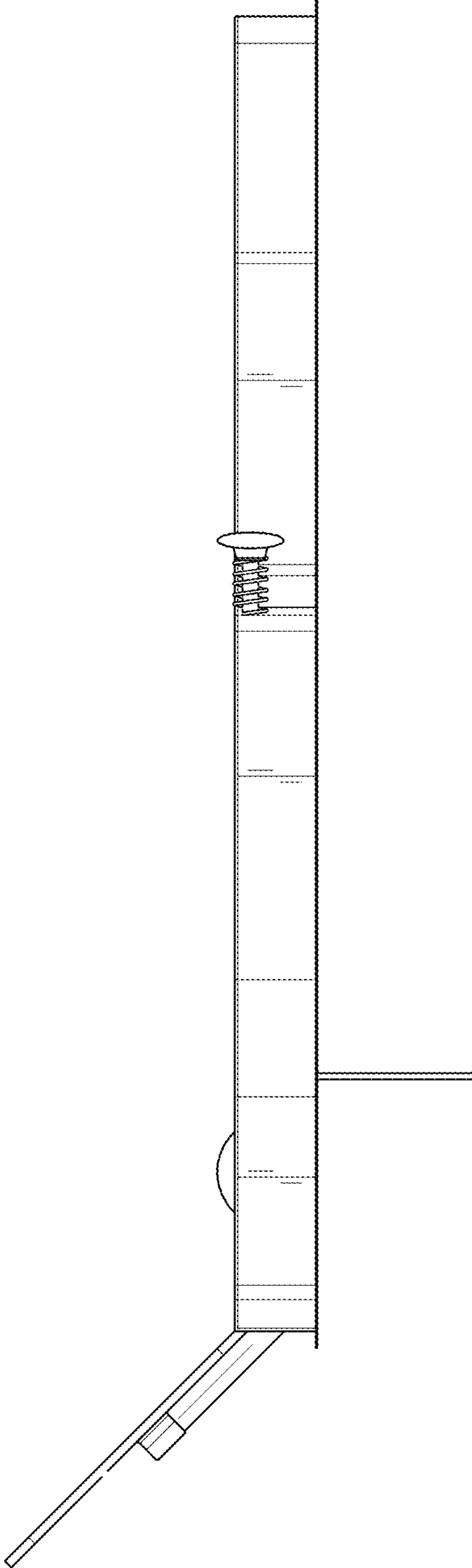


FIG. 5

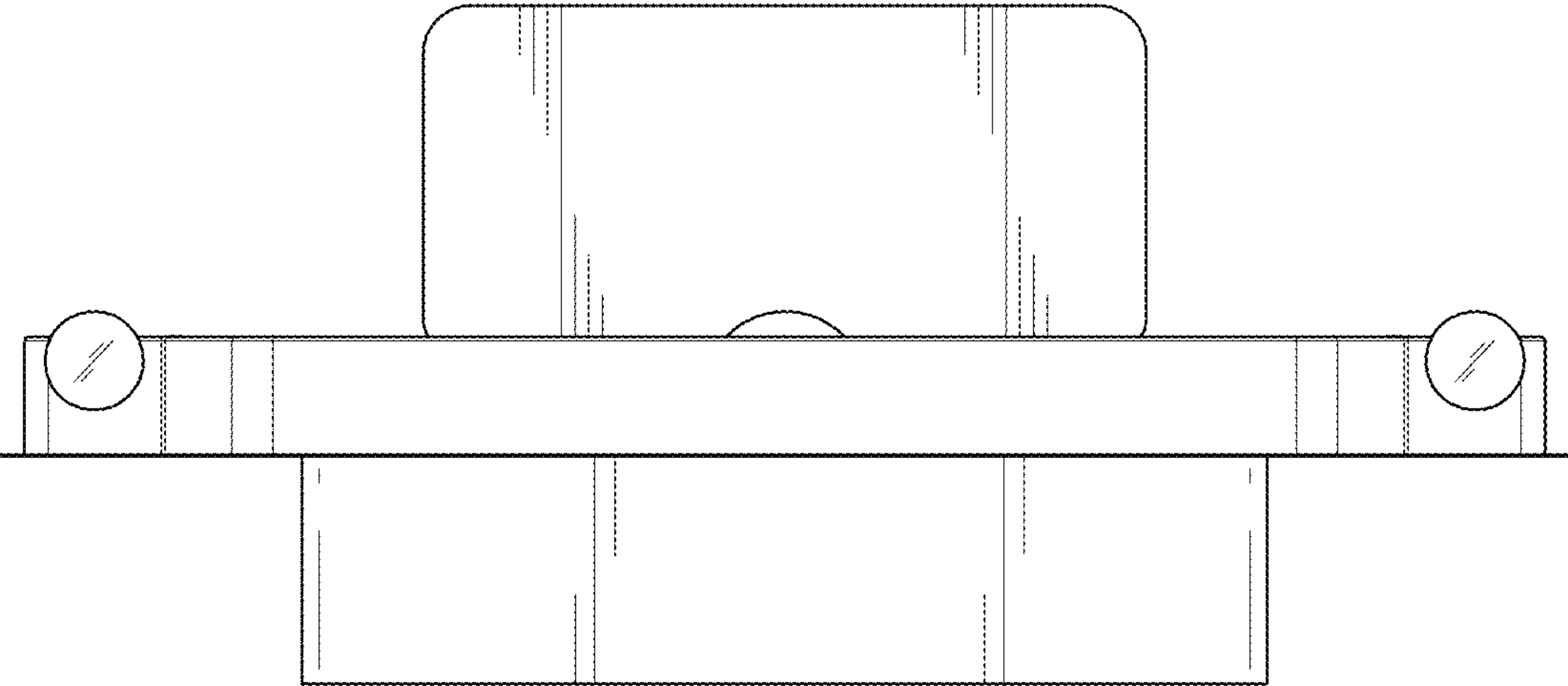


FIG. 6

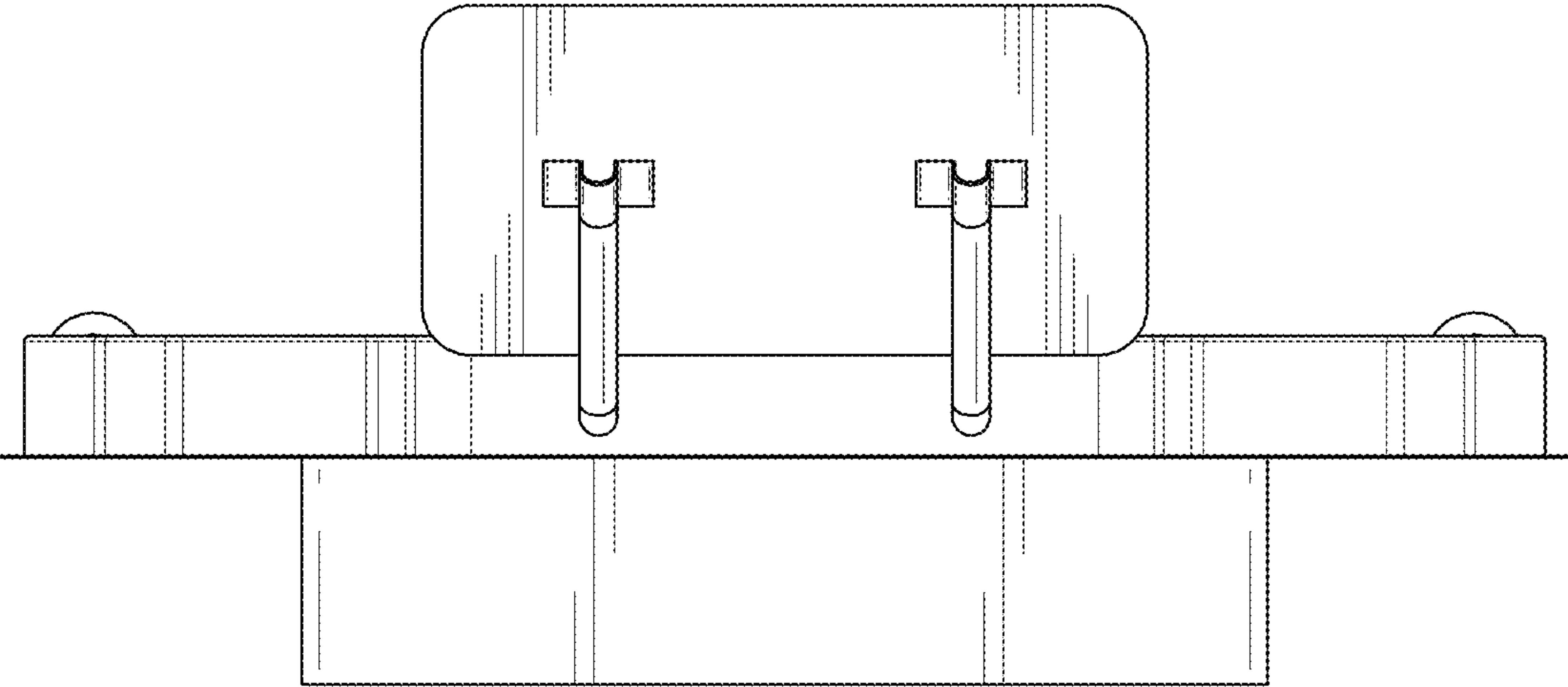


FIG. 7