



US00D898820S

(12) **United States Design Patent**
Ushikubo et al.

(10) **Patent No.:** **US D898,820 S**
(45) **Date of Patent:** **** Oct. 13, 2020**

(54) **TONER CARTRIDGE**

(71) Applicant: **OKI DATA CORPORATION**, Tokyo (JP)

(72) Inventors: **Junichi Ushikubo**, Tokyo (JP);
Tatsuhiko Shimomura, Tokyo (JP);
Masashi Fujii, Tokyo (JP); **Shun Hatanaka**, Tokyo (JP)

(73) Assignee: **OKI DATA CORPORATION**, Tokyo (JP)

(**) Term: **15 Years**

(21) Appl. No.: **29/664,385**

(22) Filed: **Sep. 25, 2018**

(30) **Foreign Application Priority Data**

Mar. 30, 2018 (JP) 2018-007164

(51) **LOC (12) Cl.** **16-03**

(52) **U.S. Cl.**
USPC **D18/43**; D18/56; D10/69

(58) **Field of Classification Search**
USPC D15/122, 135-138, 141, 66, 73, 76-78;
D18/53, 59, 50, 14, 19, 54-57, 36-45,
D18/34.4, 34.5, 34.6, 18, 51;
D14/301-303, 307, 345; D6/691.4, 675,
D6/708; D13/107, 108
CPC B41J 2/14; B41J 1/54; B41J 3/4073; B41J
3/4078; B41F 17/22; B41F 17/003; B41F
17/38; B28B 1/001; G03G 15/08; G03G
15/0891; G03G 15/0875; G03G
2215/0827; G03G 2215/0855; G03G
21/1842

See application file for complete search history.

(56) **References Cited**

U.S. PATENT DOCUMENTS

1,691,776 A * 11/1928 Mayes G01C 9/26
33/381
D110,305 S * 6/1938 Schein D6/675

D243,821 S * 3/1977 Grieb D8/350
D270,995 S * 10/1983 Meyer D13/156
4,463,501 A * 8/1984 Wright G01C 9/34
33/350
D280,185 S * 8/1985 Wright D10/69
D302,224 S * 7/1989 Bannigan D6/560
4,876,798 A * 10/1989 Zimmerman G01C 9/32
33/348.2
4,979,310 A * 12/1990 Wright G01C 9/24
33/379
5,033,199 A * 7/1991 Wilcox G01C 9/28
33/379

(Continued)

Primary Examiner — Dana K Weiland

Assistant Examiner — Mary Claire Ramirez

(74) *Attorney, Agent, or Firm* — Ladas & Parry LLP

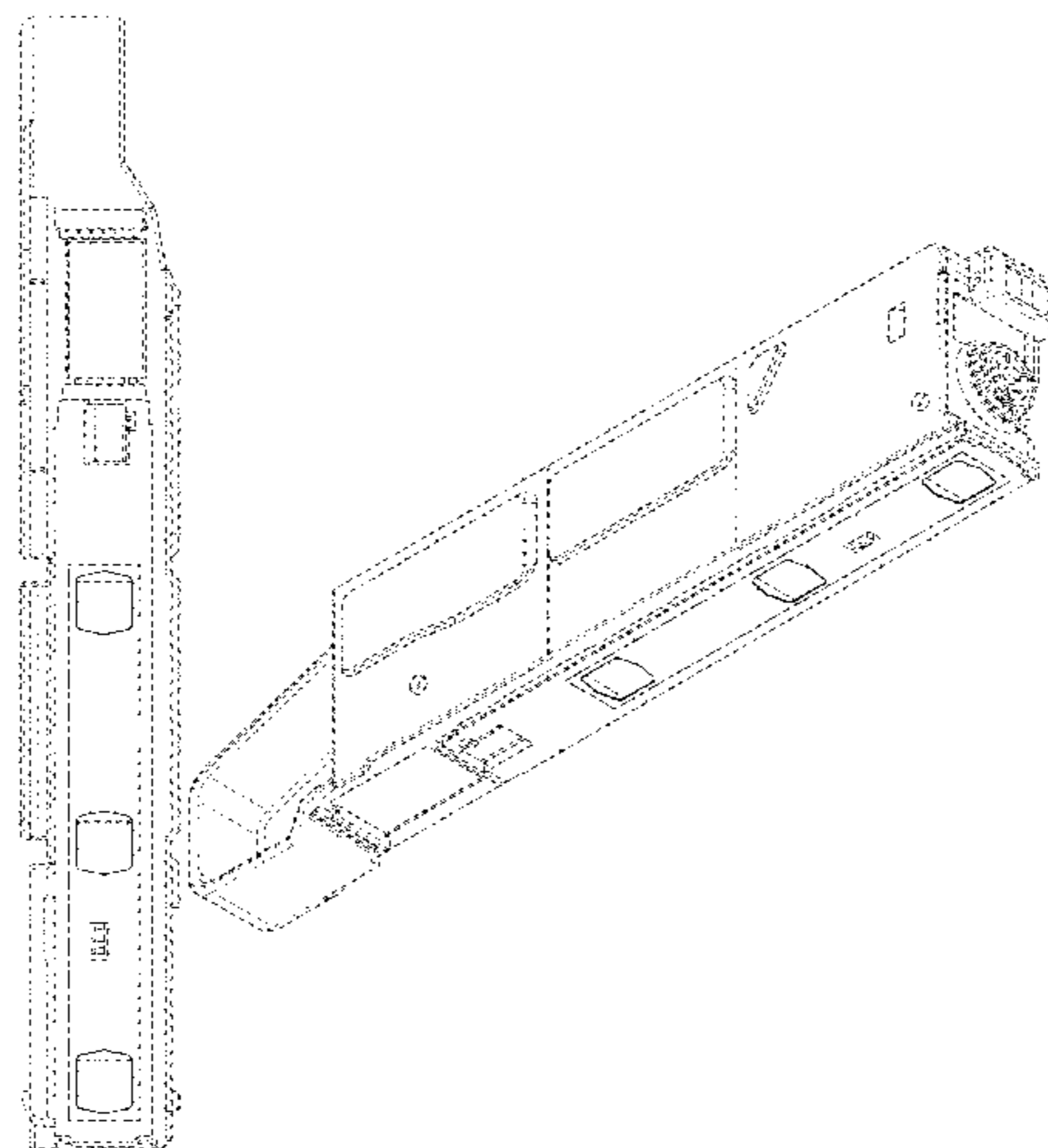
(57) **CLAIM**

We claim the ornamental design for a toner cartridge, as shown and described.

DESCRIPTION

FIG. 1 is an enlarged front elevational view of a toner cartridge showing our new design;
FIG. 2 is an enlarged rear elevational view thereof;
FIG. 3 is a right-side elevational view of the toner cartridge;
FIG. 4 is a left-side elevational view thereof;
FIG. 5 is a top plan view thereof;
FIG. 6 is a bottom plan view thereof;
FIG. 7 is a front perspective view thereof; and,
FIG. 8 is a rear perspective view thereof.
The dashed broken lines shown in the drawings depict portions of the toner cartridge that form no part of the claimed design. The dot-dashed broken lines, shown in FIGS. 6 and 8, depict boundaries and form no part of the claimed design.

1 Claim, 7 Drawing Sheets



(56)

References Cited

U.S. PATENT DOCUMENTS

5,105,549	A *	4/1992	Johnson	G01C 9/28				
					33/379				
D329,328	S *	9/1992	Stephens	D28/78				
D389,758	S *	1/1998	Motamed	D10/69				
D453,479	S *	2/2002	Greene	D10/69				
D464,370	S *	10/2002	Kunihiro	D18/43				
D468,763	S *	1/2003	Kunihiro	D18/40				
D476,360	S *	6/2003	Kawamura	347/86				
6,628,914	B1 *	9/2003	Wang	G03G 15/0875				
					399/258				
D493,737	S *	8/2004	Nickel	D10/74				
D501,021	S *	1/2005	Saiki	D18/40				
D506,917	S *	7/2005	Fields	D8/350				
7,204,029	B2 *	4/2007	Tran	G01C 9/26				
					33/379				
D553,483	S *	10/2007	Grey	D8/380				
D555,193	S *	11/2007	Choi	D18/43				
D556,427	S *	12/2007	Kaiser	D1/127				
D590,282	S *	4/2009	Allemand	D10/74				
D606,430	S *	12/2009	Allemand	D10/74				
D727,412	S *	4/2015	Oda	D18/43				
D733,794	S *	7/2015	Oda	D18/43				
9,118,799	B2 *	8/2015	Otomo	H04N 1/1017				
9,150,372	B2 *	10/2015	Matsumoto	G03G 21/1695				
D750,512	S *	3/2016	Wojciechowski	D10/69				
D761,353	S *	7/2016	Oya	D18/56				
D761,906	S *	7/2016	Oya	D18/56				
D762,770	S *	8/2016	Oya	D18/56				
D771,184	S *	11/2016	Yamashita	D18/56				
D782,486	S *	3/2017	Nalbandian	D14/434				
10,191,442	B2 *	1/2019	Kitamura	G03G 15/0875				
10,386,750	B2 *	8/2019	Ushikubo	G03G 21/1842				
D860,210	S *	9/2019	Collins	D14/434				
D861,458	S *	10/2019	Baldwin	D8/350				
10,663,888	B2 *	5/2020	Mimura	G03G 15/0875				
D892,921	S *	8/2020	Ushikubo	D18/43				
2016/0009096	A1 *	1/2016	Suzuki	B41J 29/13				
					347/86				
2017/0031271	A1 *	2/2017	Fujii	G03G 15/0886				
2017/0329277	A1 *	11/2017	Ushikubo	G03G 15/0896				
2018/0113416	A1 *	4/2018	Ushikubo	G03G 15/0886				

* cited by examiner

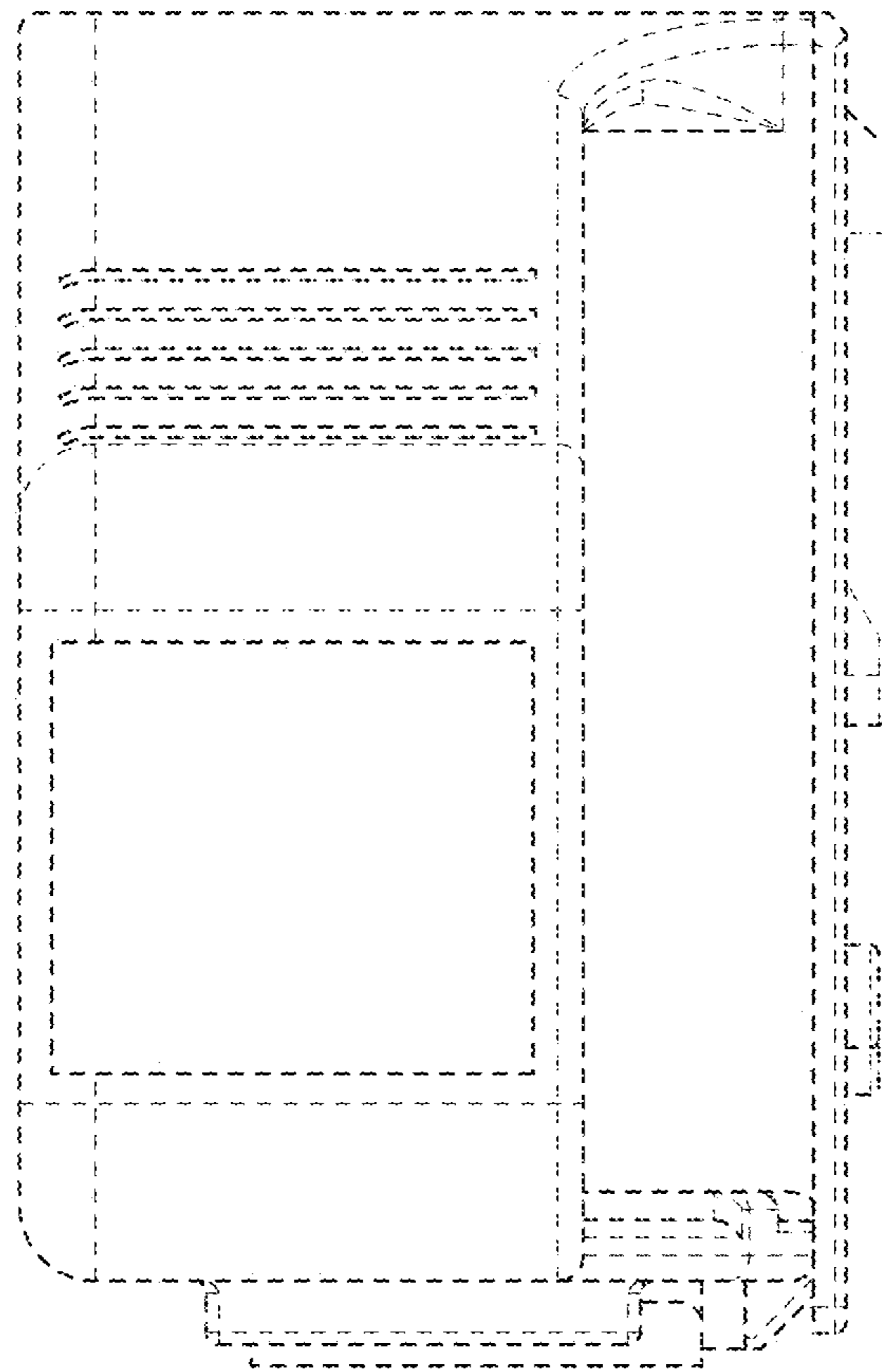


FIG. 1

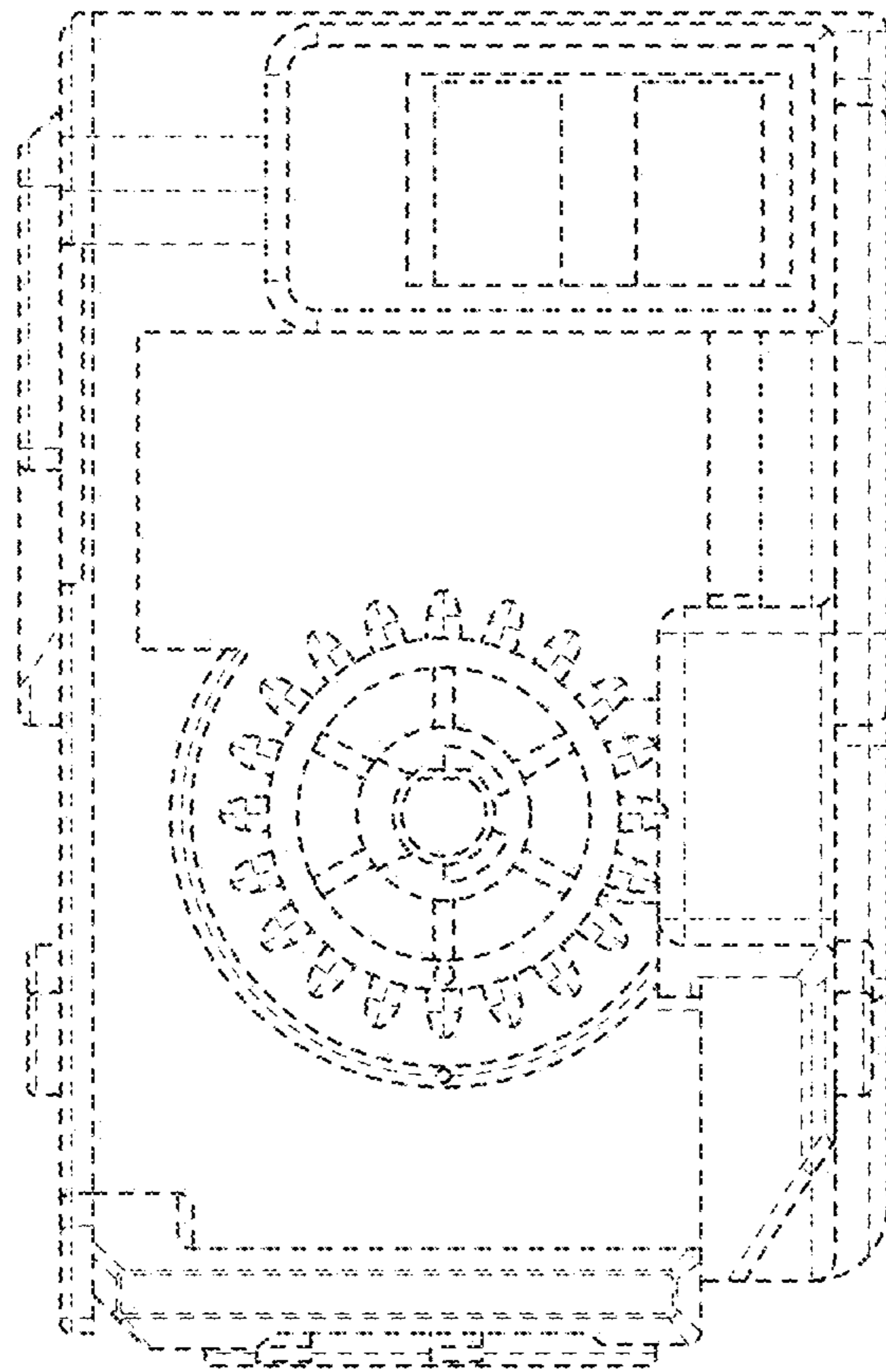


FIG. 2

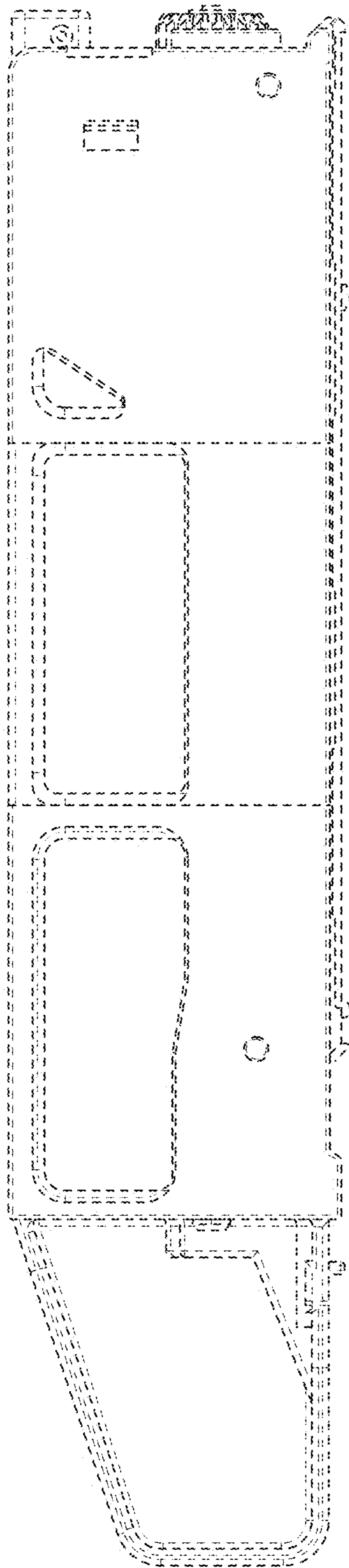


FIG. 3

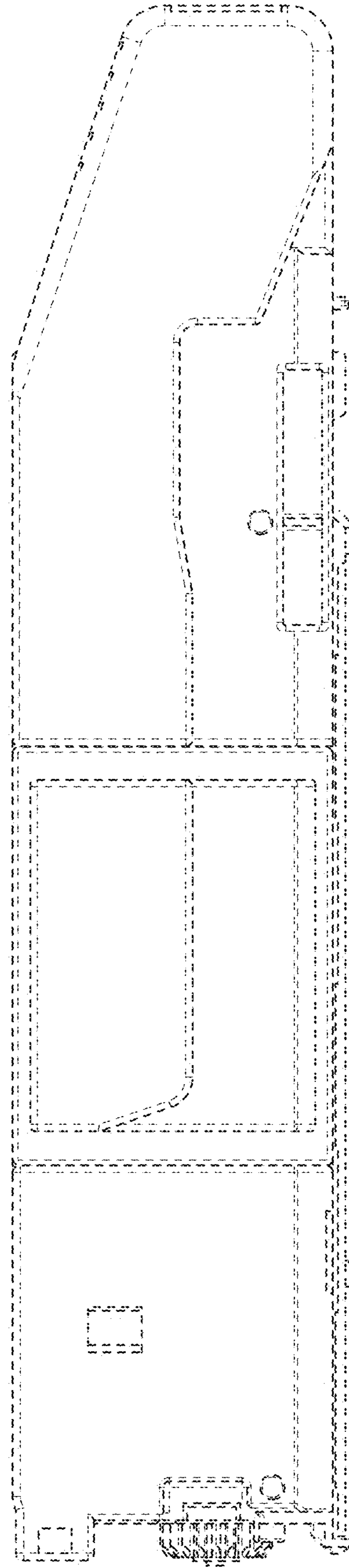


FIG. 4

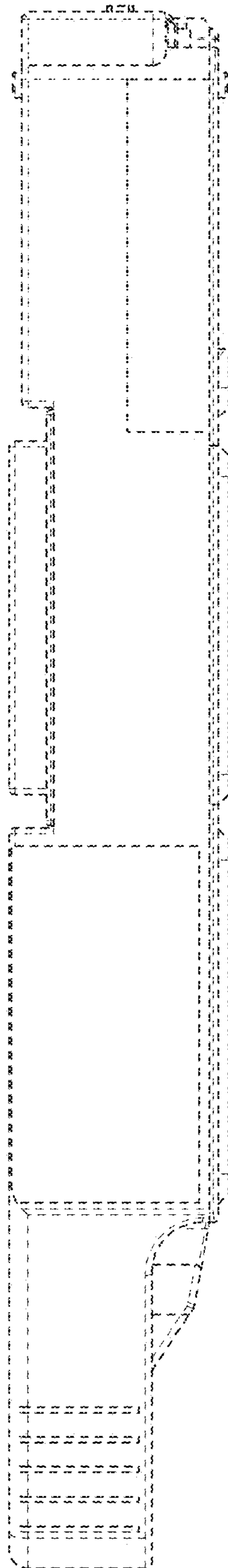


FIG. 5

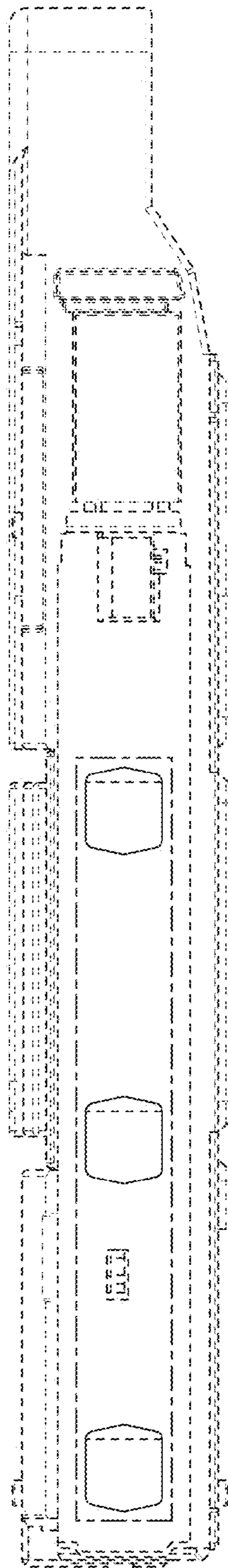


FIG. 6

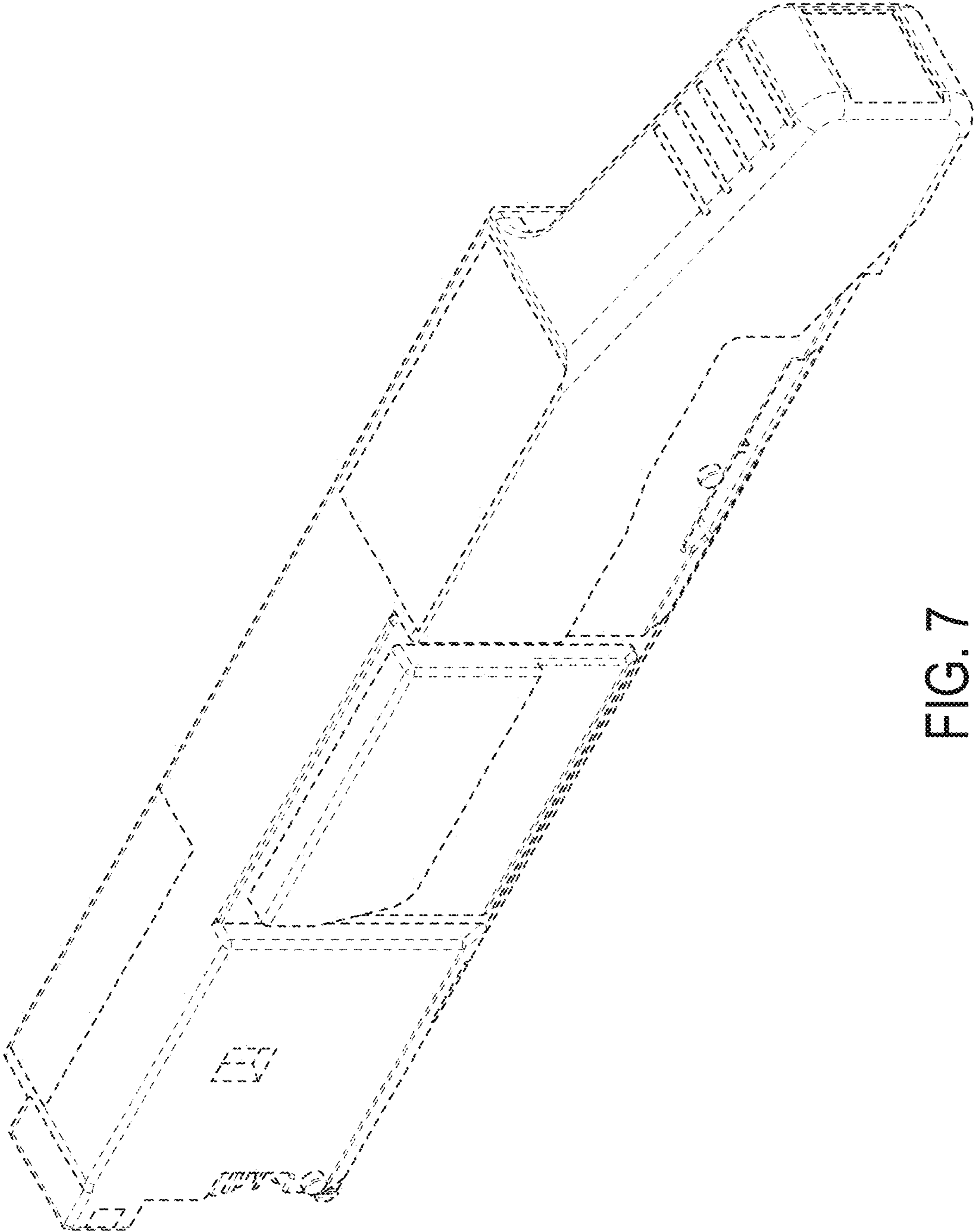


FIG. 7

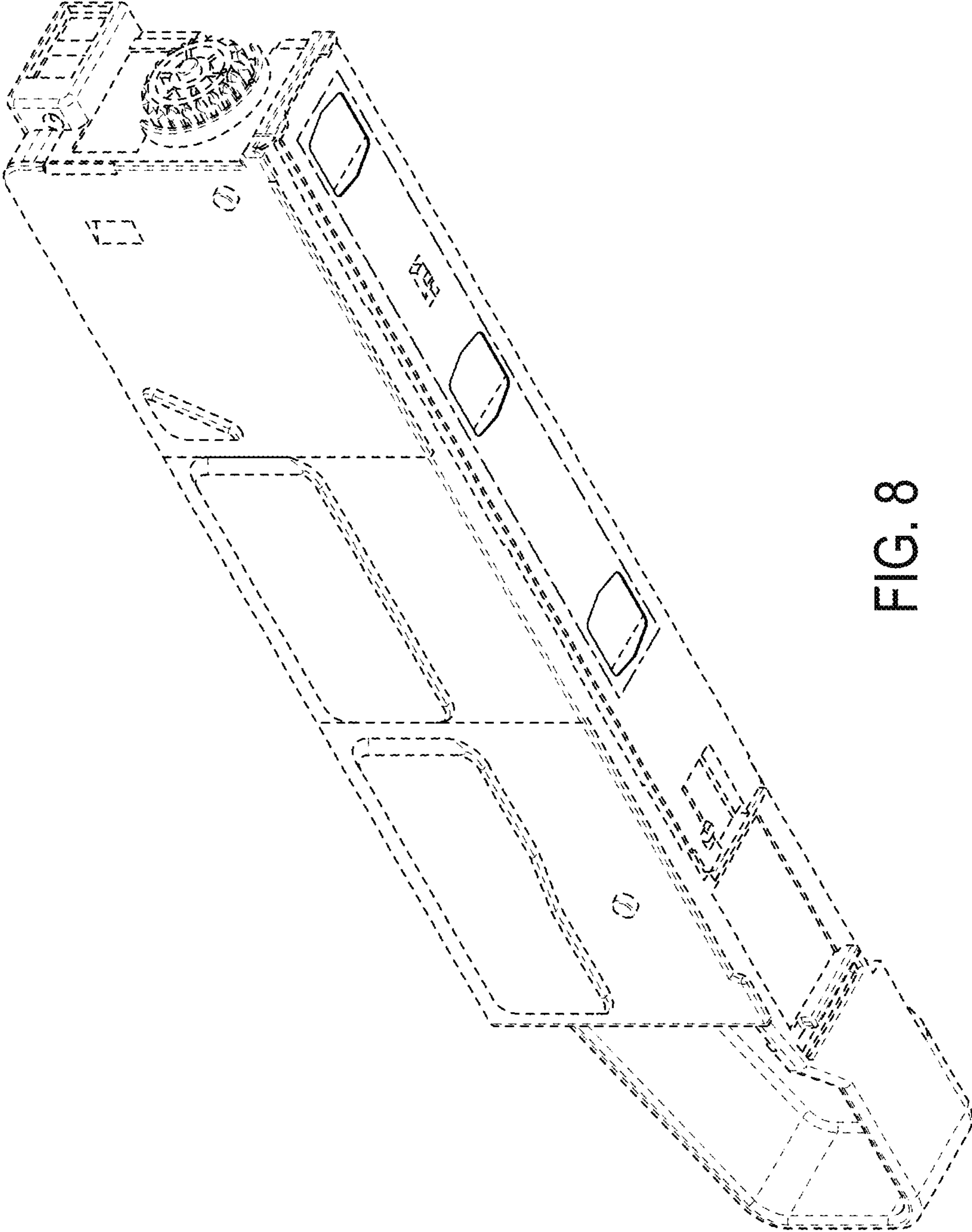


FIG. 8