



US00D898819S

(12) **United States Design Patent**  
**Mitsubishi et al.**

(10) **Patent No.:** **US D898,819 S**

(45) **Date of Patent:** **\*\* Oct. 13, 2020**

(54) **TONER CARTRIDGE**

(71) Applicant: **SHARP KABUSHIKI KAISHA,**  
Sakai, Osaka (JP)

(72) Inventors: **Kunihiro Mitsunashi,** Sakai (JP);  
**Tomoya Usui,** Sakai (JP)

(73) Assignee: **Sharp Kabushiki Kaisha,** Sakai, Osaka  
(JP)

(\*\*) Term: **15 Years**

(21) Appl. No.: **29/636,271**

(22) Filed: **Feb. 7, 2018**

(30) **Foreign Application Priority Data**

Sep. 5, 2017 (JP) ..... 2017-019148

(51) **LOC (12) Cl.** ..... **16-03**

(52) **U.S. Cl.**  
USPC ..... **D18/43**

(58) **Field of Classification Search**

USPC ..... D14/299, 301-303, 307, 332, 386,  
D14/420-425, 432, 439, 441, 443, 447,  
D14/462-471, 474, 480.5, 483-484;  
D18/12, 14, 18-19, 36-41, 43-54, 54.1,  
D18/55-59, 99

CPC .. G06K 15/12; G06K 15/14; B41J 3/00; B41J  
3/28; B41J 11/00; B41J 11/58; B41J  
15/12; B41J 15/042; G03G 15/00; G03G  
15/0142; H04N 1/00129; H04N 1/00135;  
H04N 1/00204; H04N 1/00278  
See application file for complete search history.

(56) **References Cited**

**U.S. PATENT DOCUMENTS**

D356,107 S 3/1995 Watanabe et al.  
D364,418 S 11/1995 Hagiwara et al.

D368,112 S 3/1996 Komaki  
D375,519 S 11/1996 Tsumuki  
D379,194 S 5/1997 Sundquist et al.  
D394,083 S 5/1998 Jyoroku  
D398,633 S 9/1998 Hashizume et al.  
D408,444 S 4/1999 Maeda  
D409,652 S 5/1999 Aimoto  
D435,586 S 12/2000 Kunihiro et al.  
D442,214 S 5/2001 Hayashi  
D448,042 S 9/2001 Hale et al.  
D451,125 S 11/2001 Sugiyama et al.  
D451,127 S 11/2001 Katou et al.  
6,418,290 B1 7/2002 Isomura et al.  
D462,712 S 9/2002 Katou et al.  
D463,817 S 10/2002 Kunihiro et al.  
D464,079 S \* 10/2002 Funayama ..... D18/43  
D464,369 S 10/2002 Kunihiro et al.  
D464,370 S 10/2002 Kunihiro et al.  
D478,614 S 8/2003 Numagami et al.  
6,608,980 B2 8/2003 Murayama et al.  
D489,400 S 5/2004 Nagashiro

(Continued)

*Primary Examiner* — Cathron C Brooks

*Assistant Examiner* — Andrew T Nemeth

(74) *Attorney, Agent, or Firm* — Nixon & Vanderhye P.C.

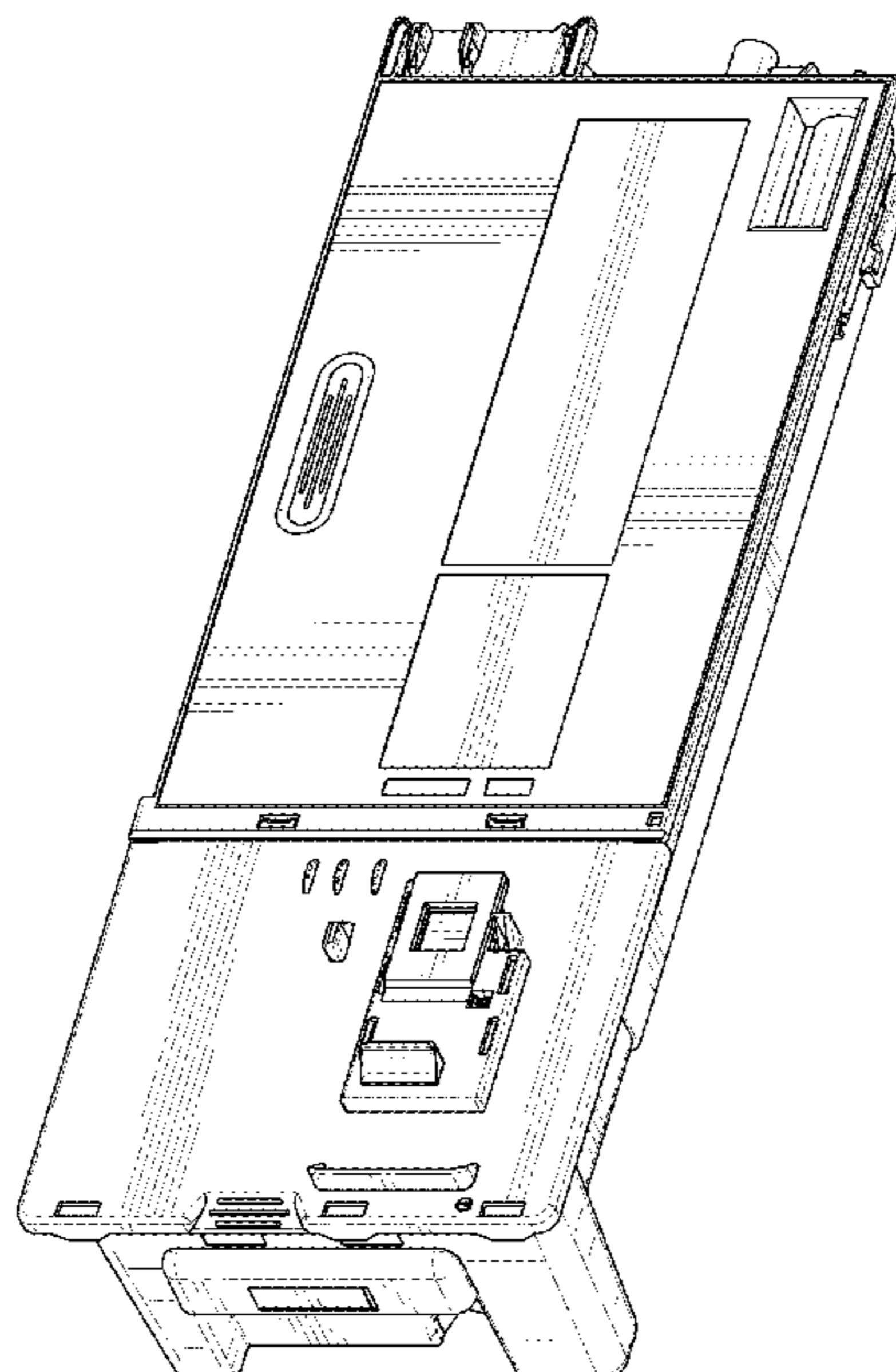
(57) **CLAIM**

The ornamental design for a toner cartridge, as shown and described.

**DESCRIPTION**

FIG. 1 is a front, right, top, perspective view of a toner cartridge in accordance with our new design;  
FIG. 2 is a front elevation view thereof;  
FIG. 3 is a back elevation view thereof;  
FIG. 4 is a top plan view thereof;  
FIG. 5 is a bottom plan view thereof;  
FIG. 6 is a left side elevation view thereof;  
FIG. 7 is a right side elevation view thereof; and,  
FIG. 8 is a bottom, rear, right side perspective view thereof.

**1 Claim, 7 Drawing Sheets**



(56)

**References Cited**

U.S. PATENT DOCUMENTS

6,912,365	B2	6/2005	Ueno et al.	
D510,594	S	10/2005	Hirashima	
D522,565	S	6/2006	Sanada et al.	
D524,848	S *	7/2006	Murata .....	D18/43
D562,882	S *	2/2008	Hatanaka .....	D18/43
D621,870	S *	8/2010	Eto .....	D18/43
D658,228	S *	4/2012	Maeshima .....	D18/43
D707,752	S *	6/2014	Wakimoto .....	D18/43
D717,369	S *	11/2014	Sato .....	D18/43
D720,396	S *	12/2014	Torimoto .....	D18/43
D825,652	S *	8/2018	Gumbe .....	D18/43
2001/0021320	A1	9/2001	Murayama et al.	

\* cited by examiner

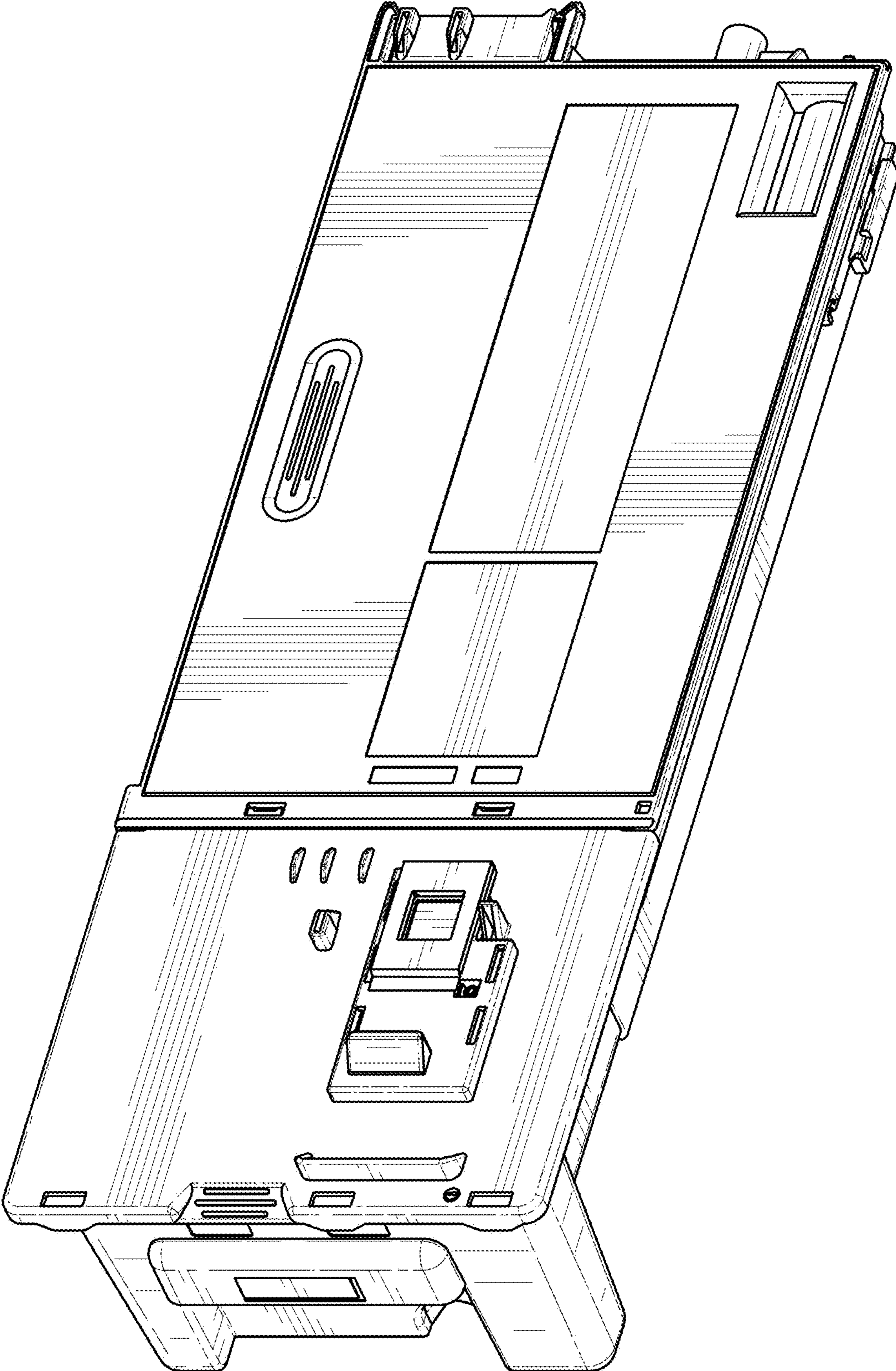


Fig. 1

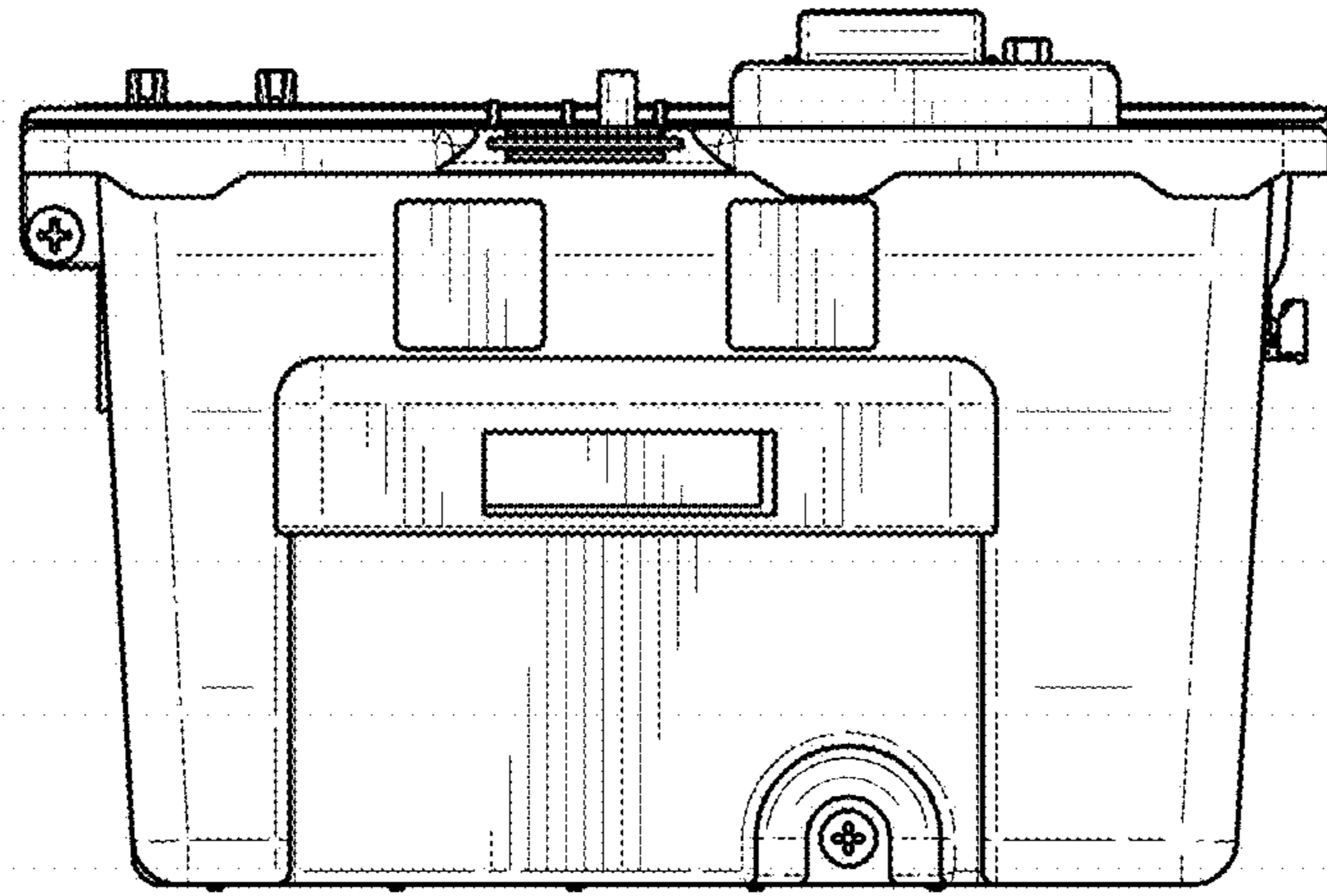


Fig. 2

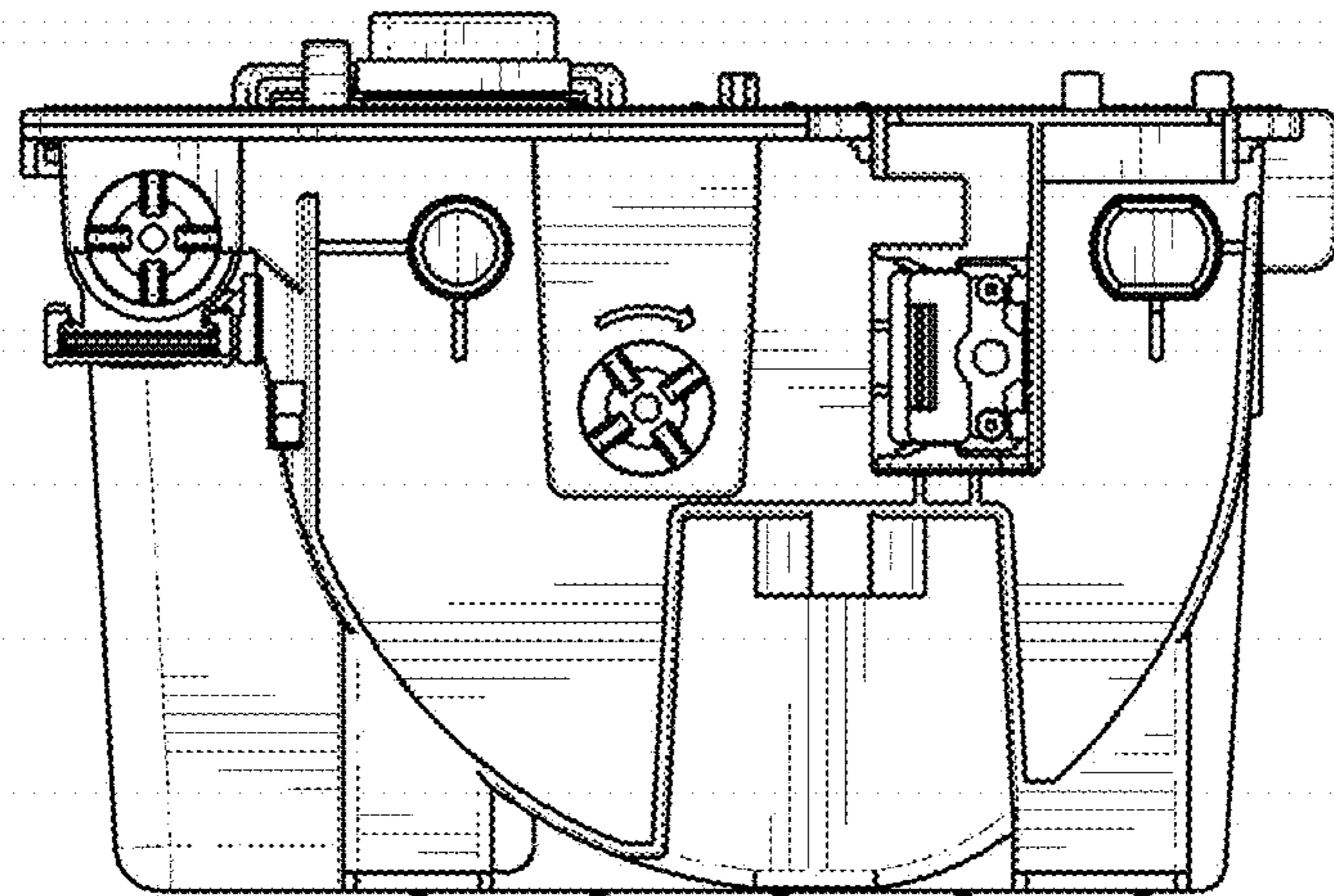


Fig. 3



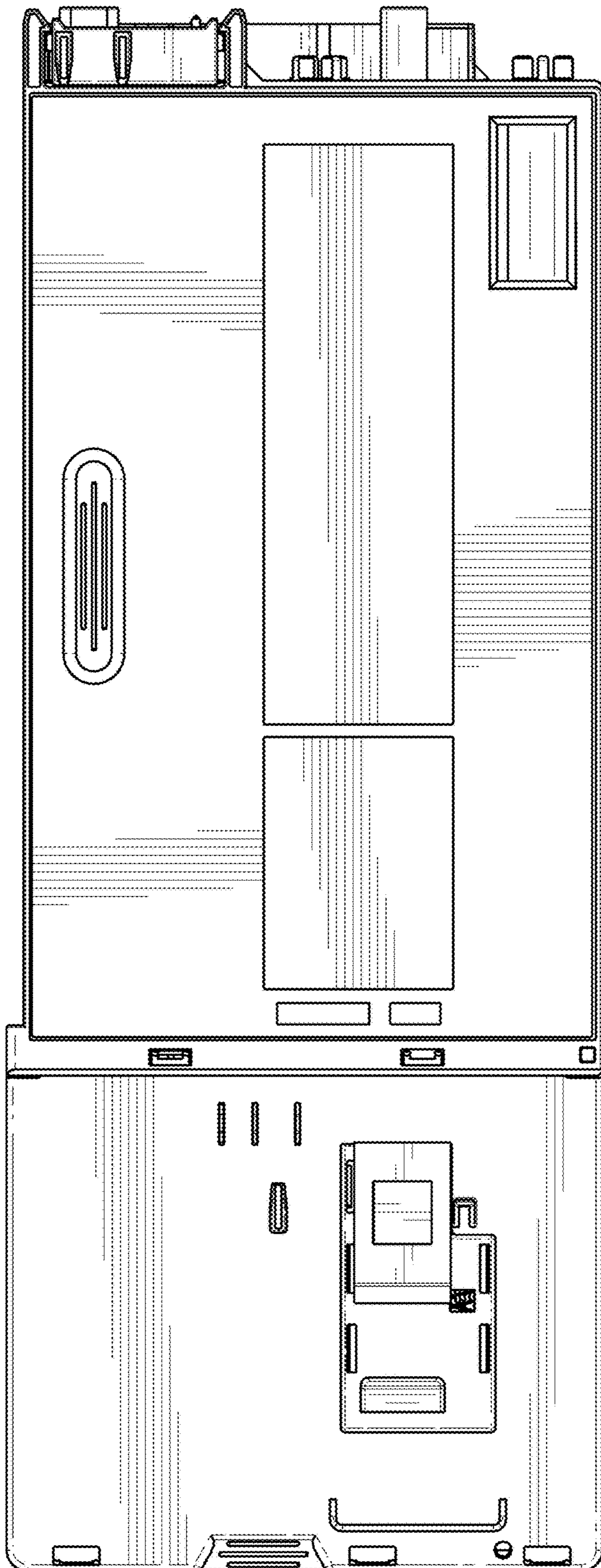


Fig. 4

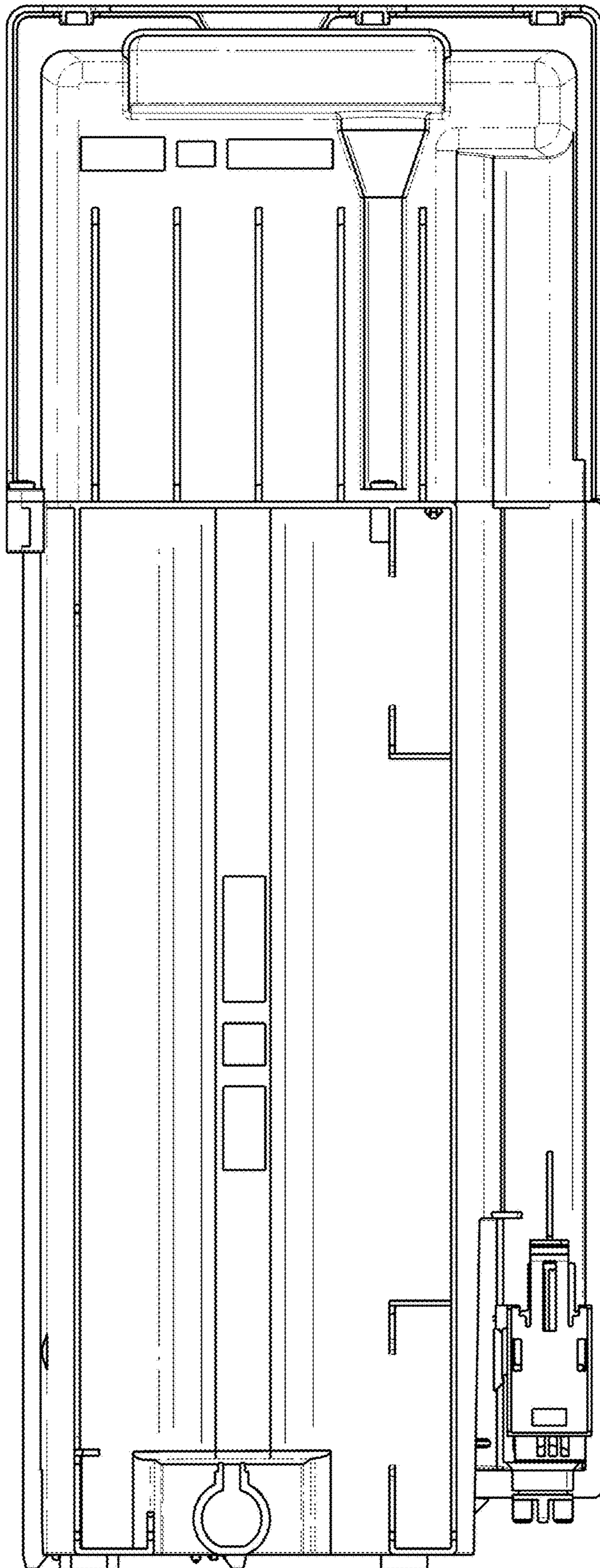


Fig. 5

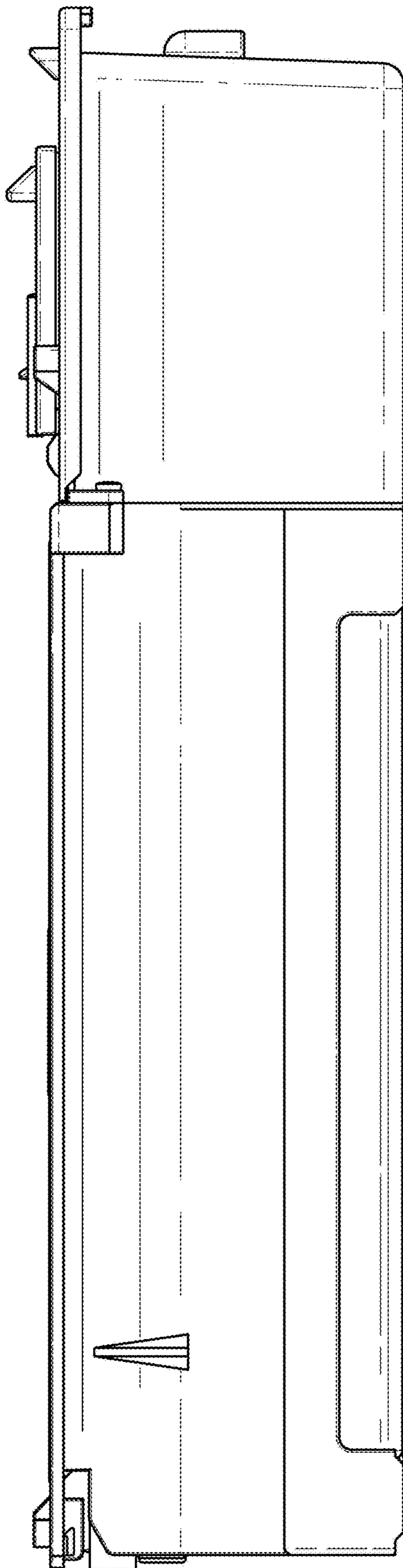


Fig. 6



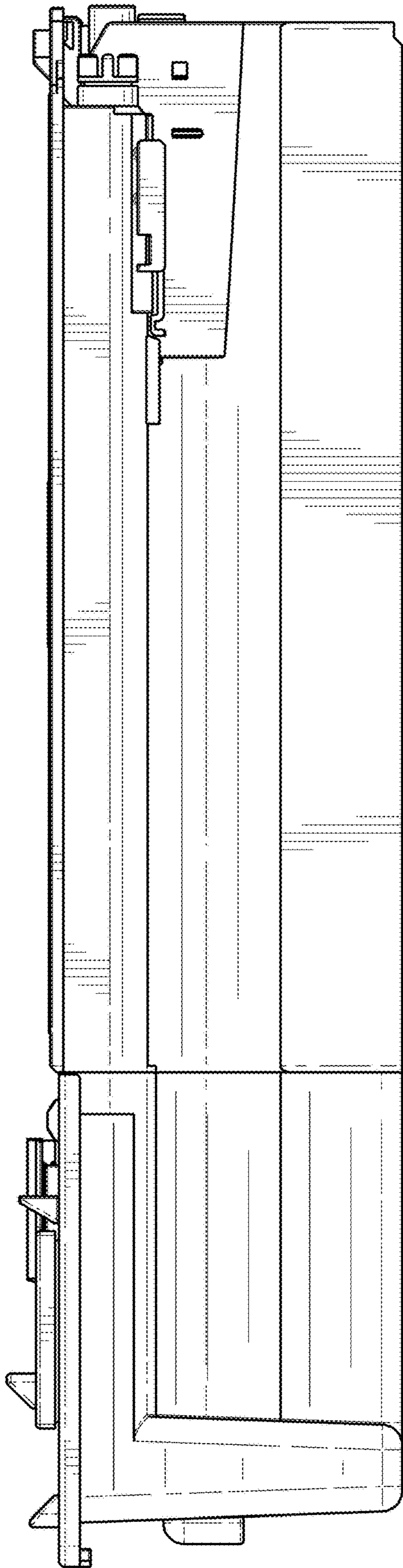


Fig. 7



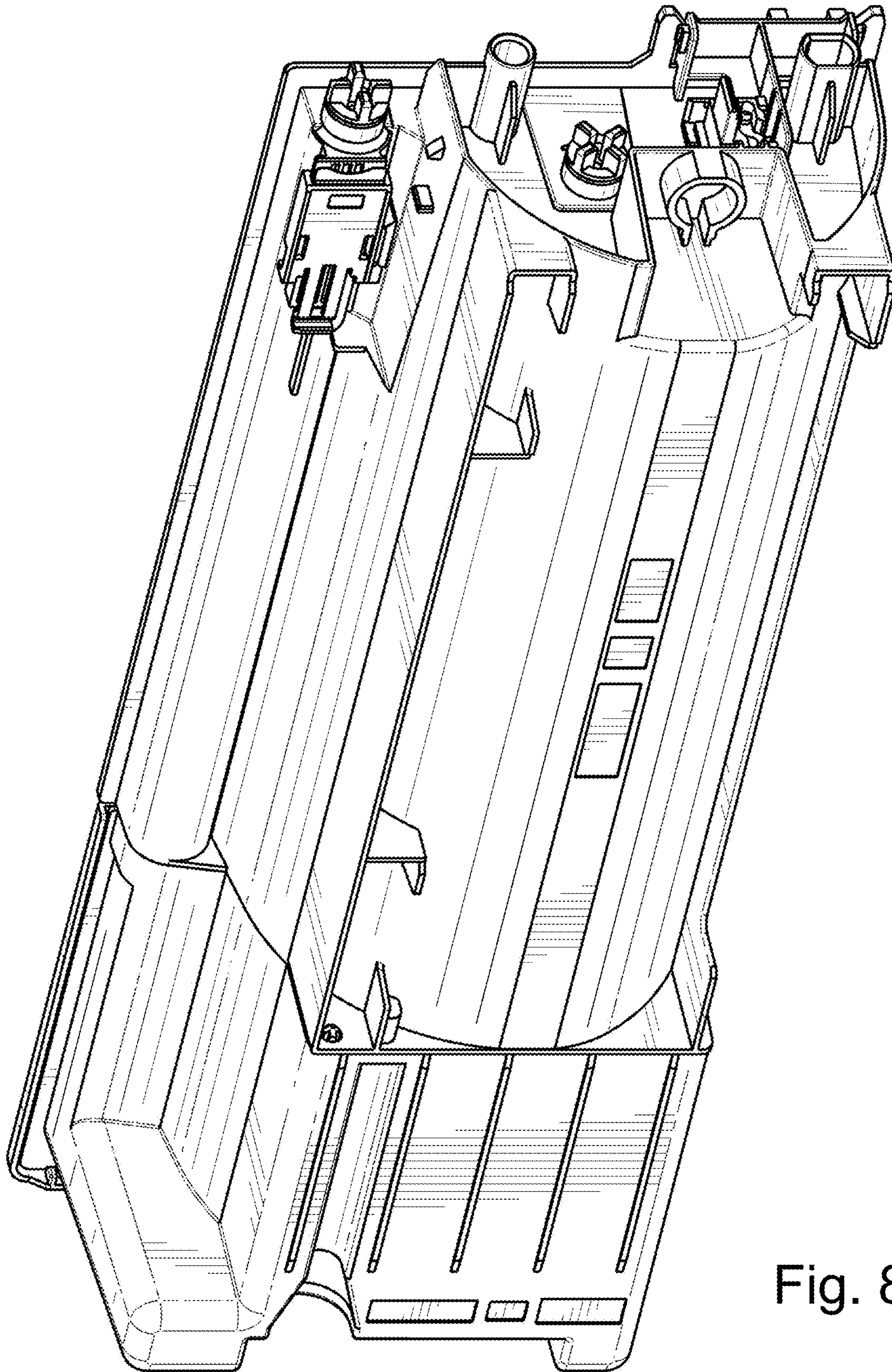


Fig. 8