



US00D898818S

(12) **United States Design Patent** (10) **Patent No.:** **US D898,818 S**
Miyahara et al. (45) **Date of Patent:** **** Oct. 13, 2020**

(54) **ELECTRONIC CALCULATOR**
(71) Applicant: **CASIO KEISANKI KABUSHIKI KAISHA**, Shibuya-ku, Tokyo (JP)
(72) Inventors: **Akihiro Miyahara**, Tokyo (JP); **Kyohei Ishii**, Tokyo (JP)
(73) Assignee: **CASIO KEISANKI KABUSHIKI KAISHA**, Tokyo (JP)
(**) Term: **15 Years**
(21) Appl. No.: **29/683,910**
(22) Filed: **Mar. 16, 2019**

(30) **Foreign Application Priority Data**
Nov. 12, 2018 (EP) 005823051-0001
(51) **LOC (12) Cl.** **18-01**
(52) **U.S. Cl.**
USPC **D18/7**
(58) **Field of Classification Search**
USPC D18/6-11, 1, 2, 12, 4.1, 4.21; D14/341, D14/343, 345, 346, 399, 455, 456, 247; D19/128, 60; D21/512
CPC G06F 15/00; G06F 15/02; G06F 15/021; G06F 15/0225; G06F 15/0275; G06F 15/0233; G06F 15/025; G06F 3/02; G06F 3/0227; G06G 1/14; G06G 3/00; G06G 3/02; G06G 3/04; G06K 7/0065; G06C 7/02; B41J 3/44; B41J 7/02
See application file for complete search history.

(56) **References Cited**
U.S. PATENT DOCUMENTS
D251,271 S * 3/1979 Kobayashi D18/7
D256,370 S * 8/1980 Ichikawa D18/7
D259,200 S * 5/1981 Welch D18/7
D261,005 S * 9/1981 Ichikawa D18/7
D268,422 S * 3/1983 Yoshioka D18/7

D269,355 S * 6/1983 Yamagami D18/7
D269,624 S * 7/1983 Sakata D18/7
D273,393 S * 4/1984 Sakamoto D18/7
D273,502 S * 4/1984 Sakata D18/7
D274,439 S * 6/1984 Sakata D18/7
D275,769 S * 10/1984 Yamada D18/7
D279,109 S * 6/1985 Yubisui D18/7
D285,806 S * 9/1986 Satake D18/7
D287,139 S * 12/1986 Hayashi D18/7
D304,175 S * 10/1989 Sakaguchi D14/346
D304,718 S * 11/1989 Sakaguchi D14/346
D307,032 S * 4/1990 Sawada D18/7
D309,153 S * 7/1990 Sawada D18/7
D309,624 S * 7/1990 Yubisui D18/7
(Continued)

OTHER PUBLICATIONS

Customer review—Casio FX-9750GIII Graphing Calculator. (online) 9 pgs. Available as early as May 19, 2020 [retrieved Jun. 30, 2020] <https://www.walmart.com/reviews/product/278296845>.
Primary Examiner — Marie D. Fast Horse
(74) *Attorney, Agent, or Firm* — Holtz, Holtz & Volek PC

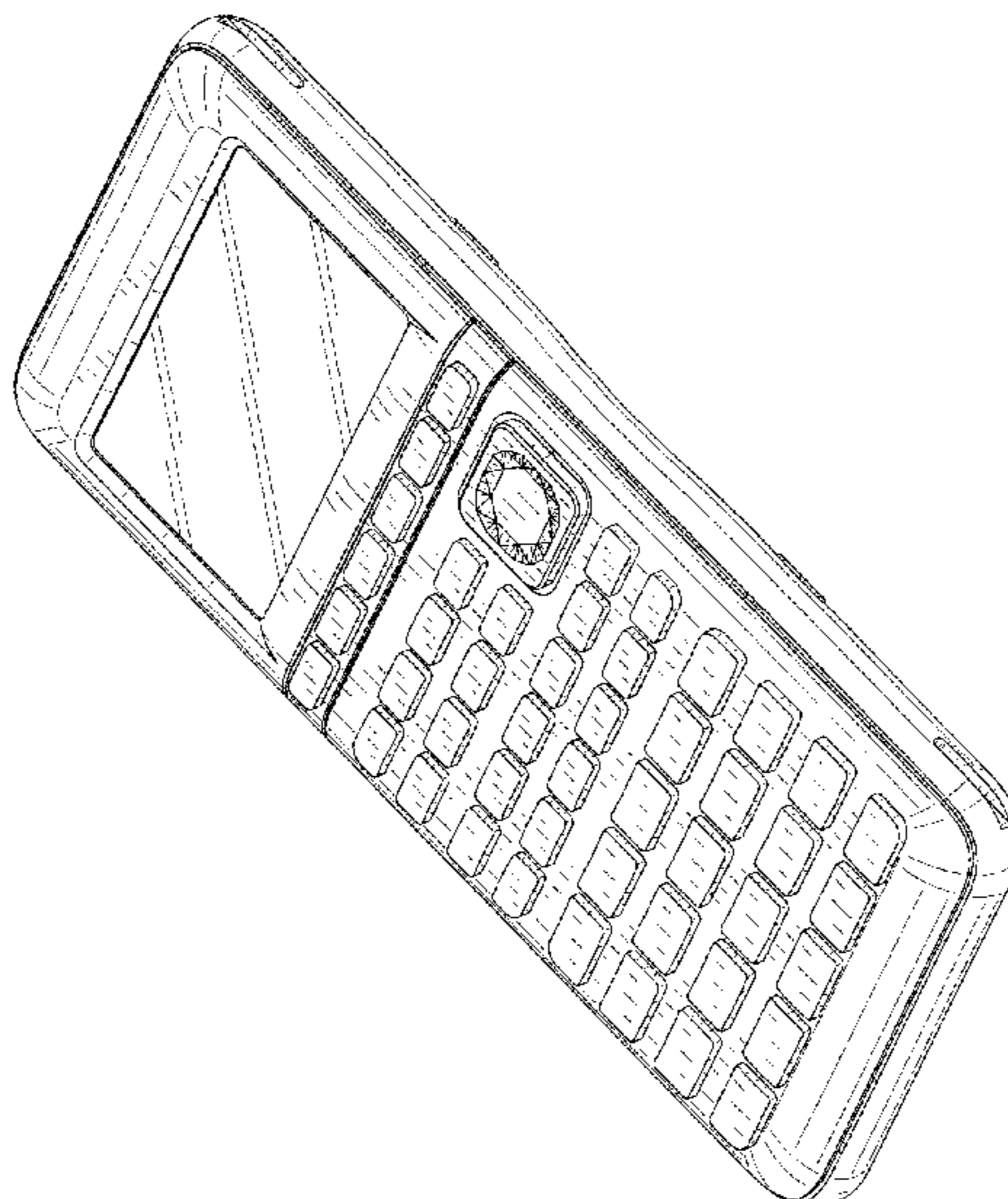
(57) **CLAIM**

The ornamental design for an electronic calculator, as shown and described.

DESCRIPTION

FIG. 1 is a reduced-scale front, right side, bottom perspective view of an electronic calculator showing our new design;
FIG. 2 is a front elevational view thereof;
FIG. 3 is a rear elevational view thereof;
FIG. 4 is a left side view thereof;
FIG. 5 is a right side view thereof;
FIG. 6 is a top plan view thereof;
FIG. 7 is a bottom plan view thereof; and,
FIG. 8 is a reduced-scale rear, left side, bottom perspective view thereof.

1 Claim, 7 Drawing Sheets



(56)

References Cited

U.S. PATENT DOCUMENTS

D309,729 S * 8/1990 Tanabe D14/346
 D317,777 S * 6/1991 Sakaguchi D18/6
 D364,890 S * 12/1995 Yamabe D18/7
 D368,111 S * 3/1996 Komatsu D18/7
 D377,190 S * 1/1997 Matsuda D18/7
 D383,773 S * 9/1997 Tamaki D18/7
 D394,449 S * 5/1998 Shimizu D18/7
 D408,440 S * 4/1999 Matsuda D18/7
 D412,523 S * 8/1999 Matsuda D18/7
 D416,280 S * 11/1999 Matsuda D18/7
 D501,499 S * 2/2005 Matsuda D18/7
 6,891,541 B1 * 5/2005 Harris G06F 15/025
 345/440
 7,042,713 B2 * 5/2006 Nicolosi G06F 1/1626
 361/679.44
 D536,365 S * 2/2007 Ono D18/7
 D547,362 S * 7/2007 de Brebisson D18/7
 D560,712 S * 1/2008 de Brebisson D18/7
 D580,478 S * 11/2008 Matsuda D18/7
 D584,762 S * 1/2009 Ono D18/7
 D598,485 S * 8/2009 Miyahara D18/7
 D598,486 S * 8/2009 Miyahara D18/7
 D631,086 S * 1/2011 Ono D18/7
 7,995,063 B2 * 8/2011 Nakamura G06T 11/203
 345/441

D652,070 S * 1/2012 Takahashi D18/7
 D677,715 S * 3/2013 Rubin D18/11
 D720,802 S * 1/2015 Yaekura D18/6
 D806,785 S * 1/2018 Nakamura D18/7
 D807,425 S * 1/2018 Minamide D18/7
 D810,190 S * 2/2018 Koike D18/7
 2002/0075227 A1 * 6/2002 Miller G06F 15/0275
 345/156
 2006/0277233 A1 * 12/2006 Miller G06F 15/16
 708/160
 2008/0244403 A1 * 10/2008 Kaneko G06F 9/453
 715/711
 2011/0225219 A1 * 9/2011 Midorogi G06F 15/0225
 708/168
 2011/0234596 A1 * 9/2011 Okano G06T 11/206
 345/440
 2011/0254862 A1 * 10/2011 Okano G09B 19/02
 345/634
 2011/0302228 A1 * 12/2011 Brothers G06F 15/02
 708/130
 2013/0050219 A1 * 2/2013 Okano G06F 15/0225
 345/440
 2014/0365954 A1 * 12/2014 Yoshizawa G06T 11/206
 715/784
 2016/0086362 A1 * 3/2016 Suzuki G06T 11/206
 345/440

* cited by examiner

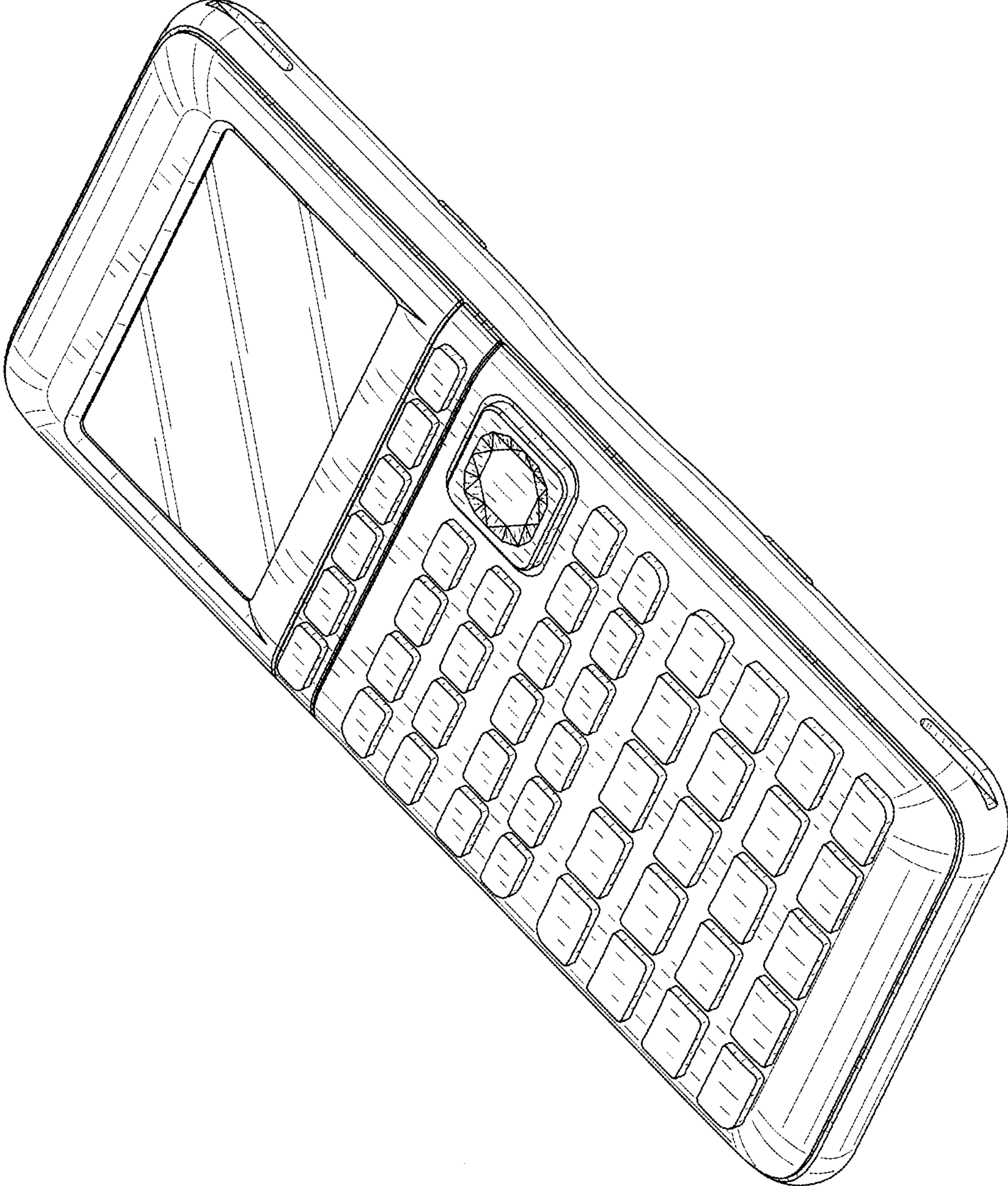


FIG. 1

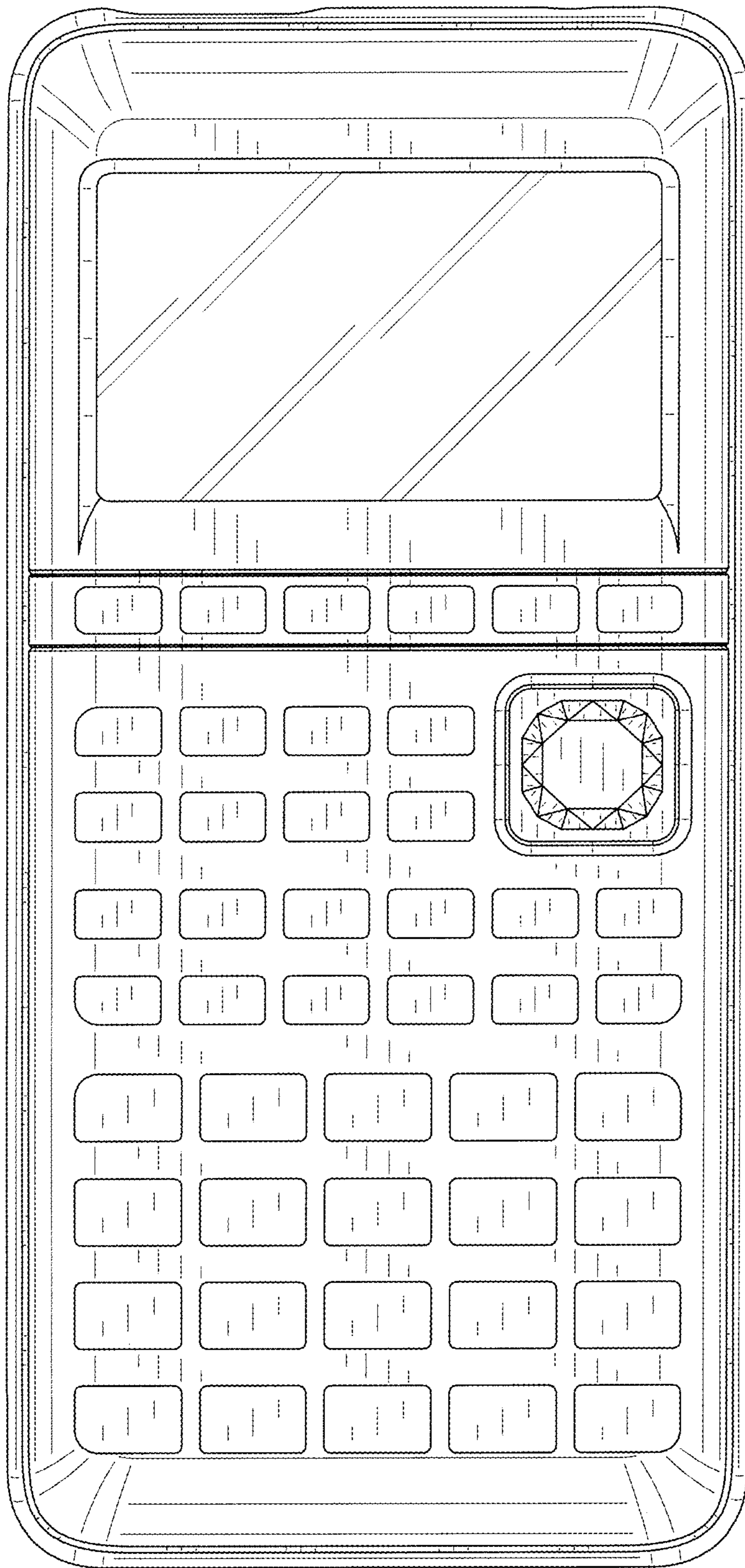


FIG. 2

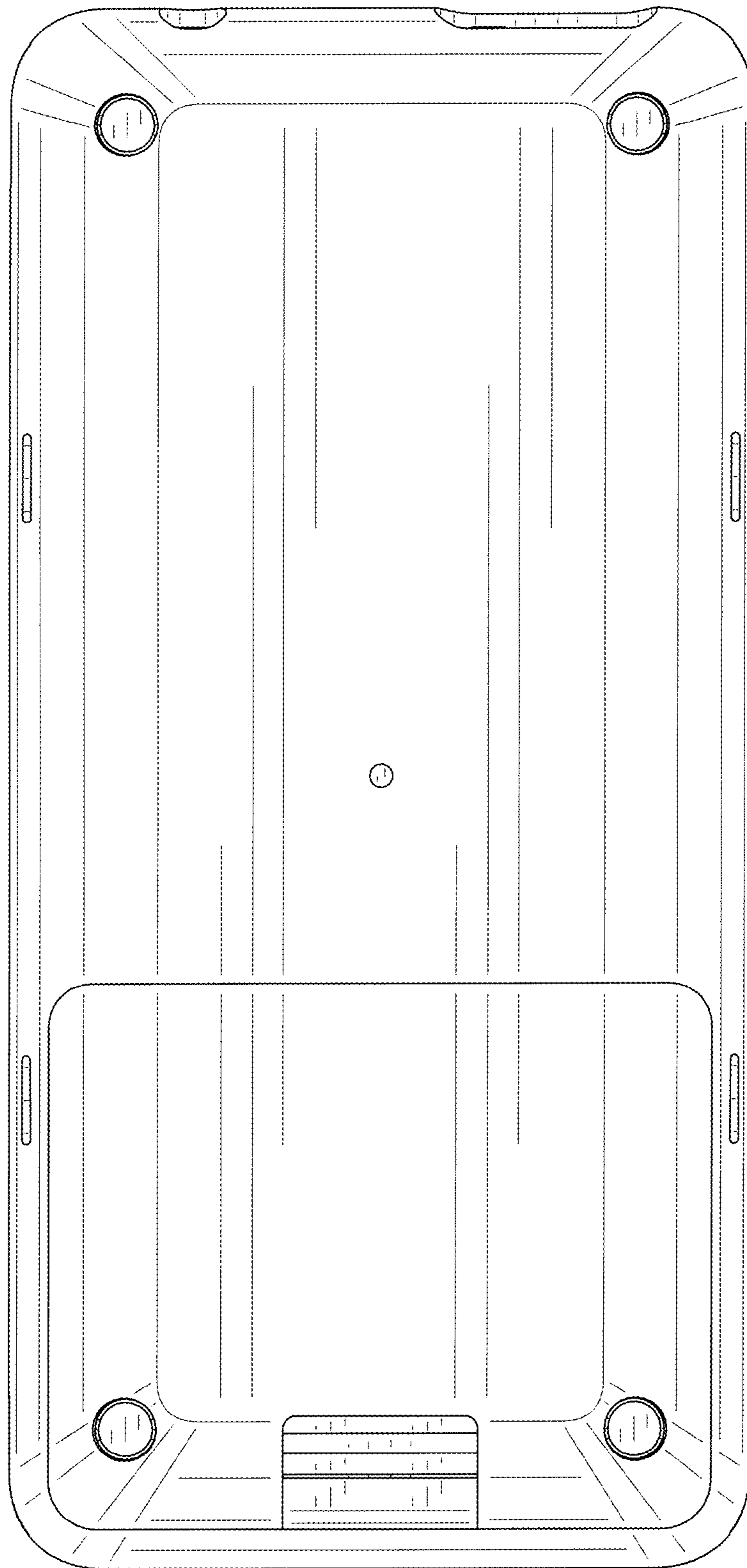


FIG. 3

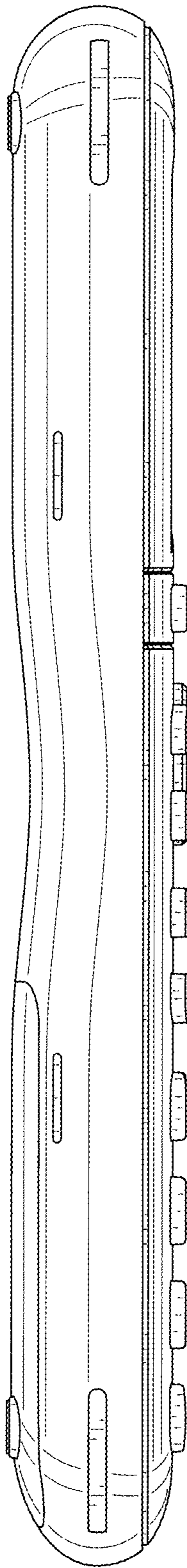


FIG. 4

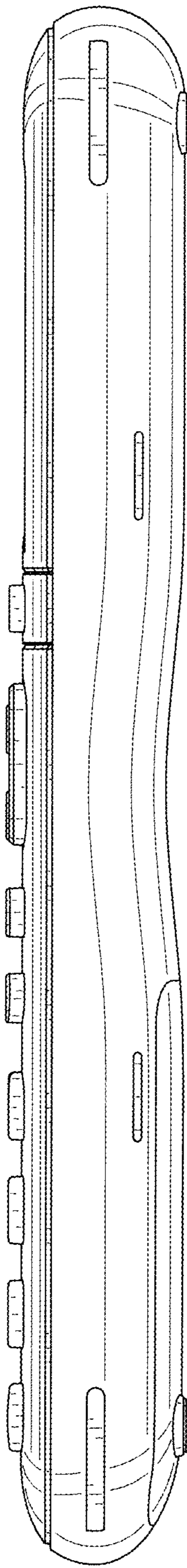


FIG. 5

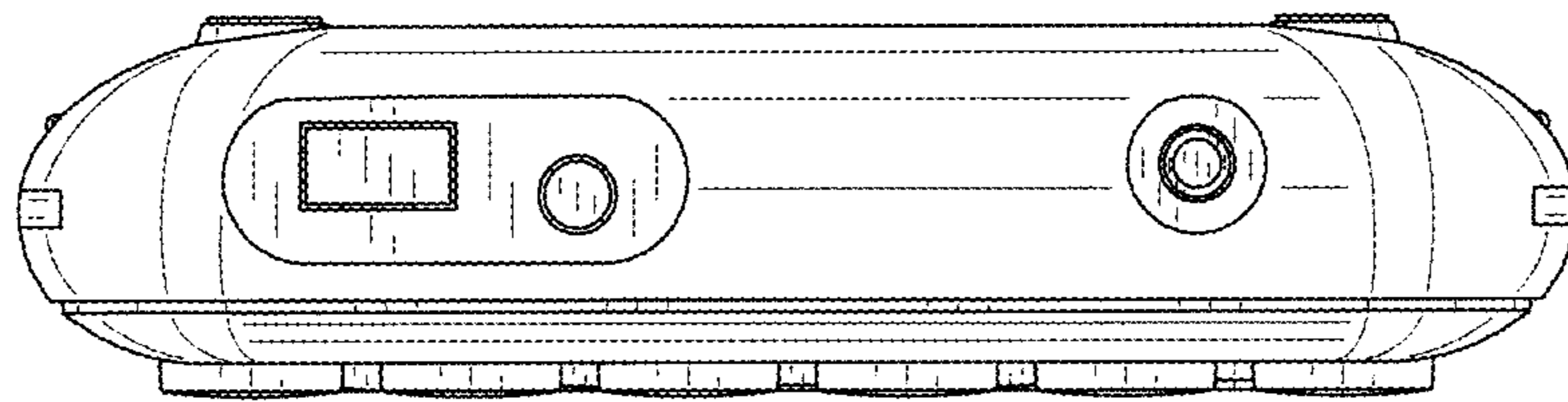


FIG. 6

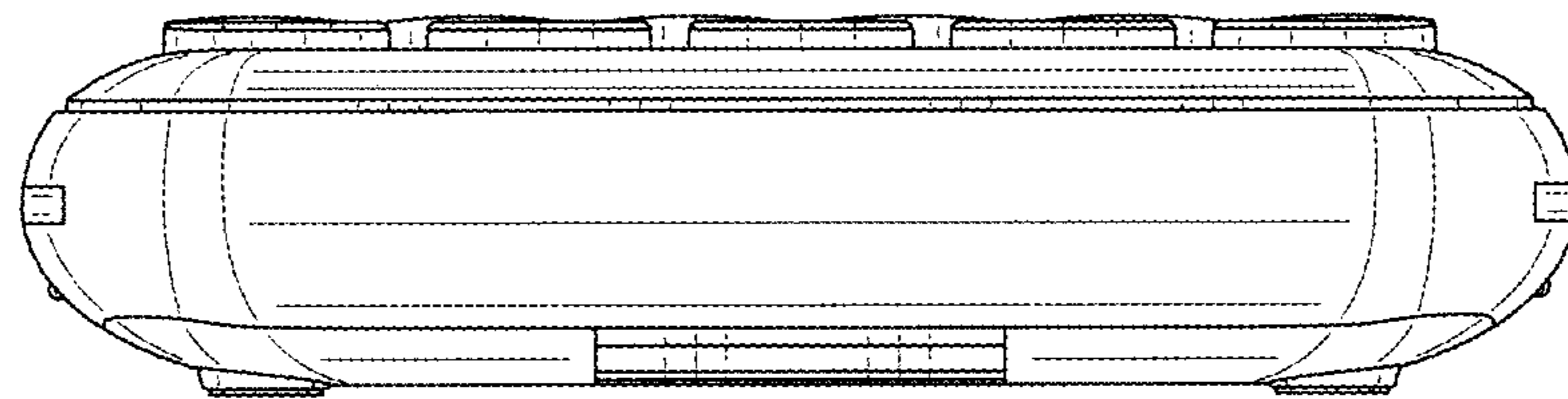


FIG. 7

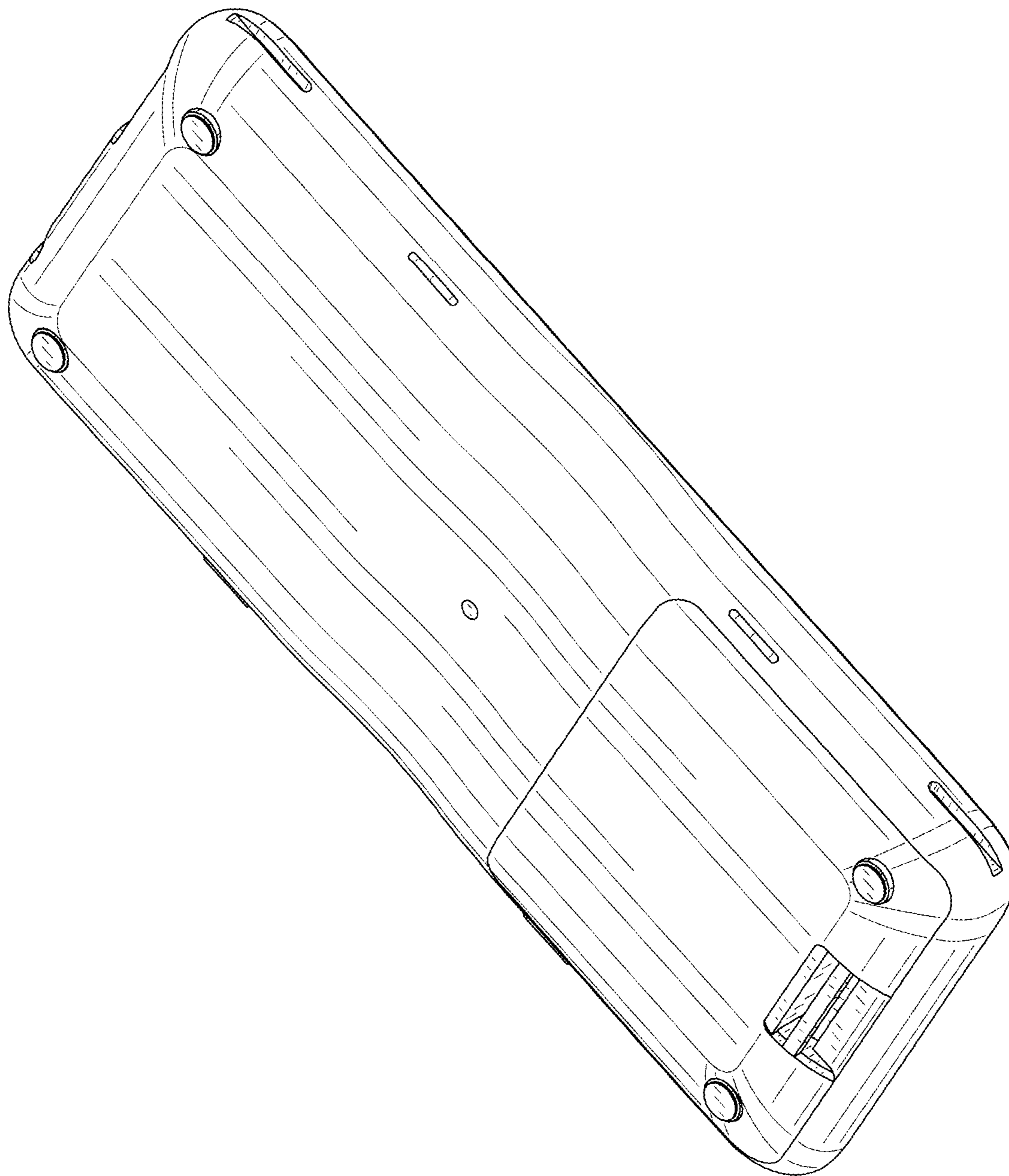


FIG. 8