



US00D898817S

(12) **United States Design Patent** (10) **Patent No.:** **US D898,817 S**  
**Puckett et al.** (45) **Date of Patent:** **\*\* Oct. 13, 2020**

(54) **ELECTRONIC KEYBOARD WITH INTEGRATED CASE**

FOREIGN PATENT DOCUMENTS

(71) Applicant: **inMusic Brands, Inc.**, Cumberland, RI (US)

JP 2017173691 A \* 9/2017 ..... G10B 3/12

(72) Inventors: **Scott Puckett**, West Warwick, RI (US); **Andrew H. Wang**, Providence, RI (US); **Daniel Gill**, Providence, RI (US); **John Alex Souppa**, Ashland, MA (US); **Timothy Scott Desplaines**, Woonsocket, RI (US); **John O'Donnell**, Fort Lauderdale, FL (US)

OTHER PUBLICATIONS

U.S. Appl. No. 29/677,768; Electronic Device; Scott Puckett et al., filed Jan. 23, 2019.

*Primary Examiner* — R. Johnson

(74) *Attorney, Agent, or Firm* — Burns & Levinson LLP

(73) Assignee: **INMUSIC BRANDS, INC.**, Cumberland, RI (US)

(57) **CLAIM**

The ornamental design for an electronic keyboard with integrated case, as shown and described.

(\*\*) Term: **15 Years**

**DESCRIPTION**

(21) Appl. No.: **29/677,744**

(22) Filed: **Jan. 23, 2019**

(51) **LOC (12) Cl.** ..... **17-01**

(52) **U.S. Cl.**  
USPC ..... **D17/2**

(58) **Field of Classification Search**  
USPC ..... D17/1, 2, 7; D21/405, 409  
CPC ..... G10C 1/00; G10C 3/00; G10C 3/12  
See application file for complete search history.

FIG. 1 is a top, front, left perspective view of an electronic keyboard with integrated case in an open configuration, showing our new design;  
FIG. 2 is a bottom, rear, right perspective view thereof;  
FIG. 3 is a front elevation view thereof;  
FIG. 4 is a rear elevation view thereof;  
FIG. 5 is a left side elevation view thereof;  
FIG. 6 is a right side elevation view thereof;  
FIG. 7 is a top plan view thereof; and  
FIG. 8 is a bottom plan view thereof;  
FIG. 9 is a top, front, left perspective view of an electronic keyboard with integrated case in a closed configuration;  
FIG. 10 is a bottom, rear, right perspective view thereof;  
FIG. 11 is a front elevation view thereof;  
FIG. 12 is a rear elevation view thereof;  
FIG. 13 is a left side elevation view thereof;  
FIG. 14 is a right side elevation view thereof;  
FIG. 15 is a top plan view thereof; and,  
FIG. 16 is a bottom plan view thereof.

The broken lines of even length shown in the drawings illustrate portions of the electronic keyboard with integrated case that form no part of the claimed design.

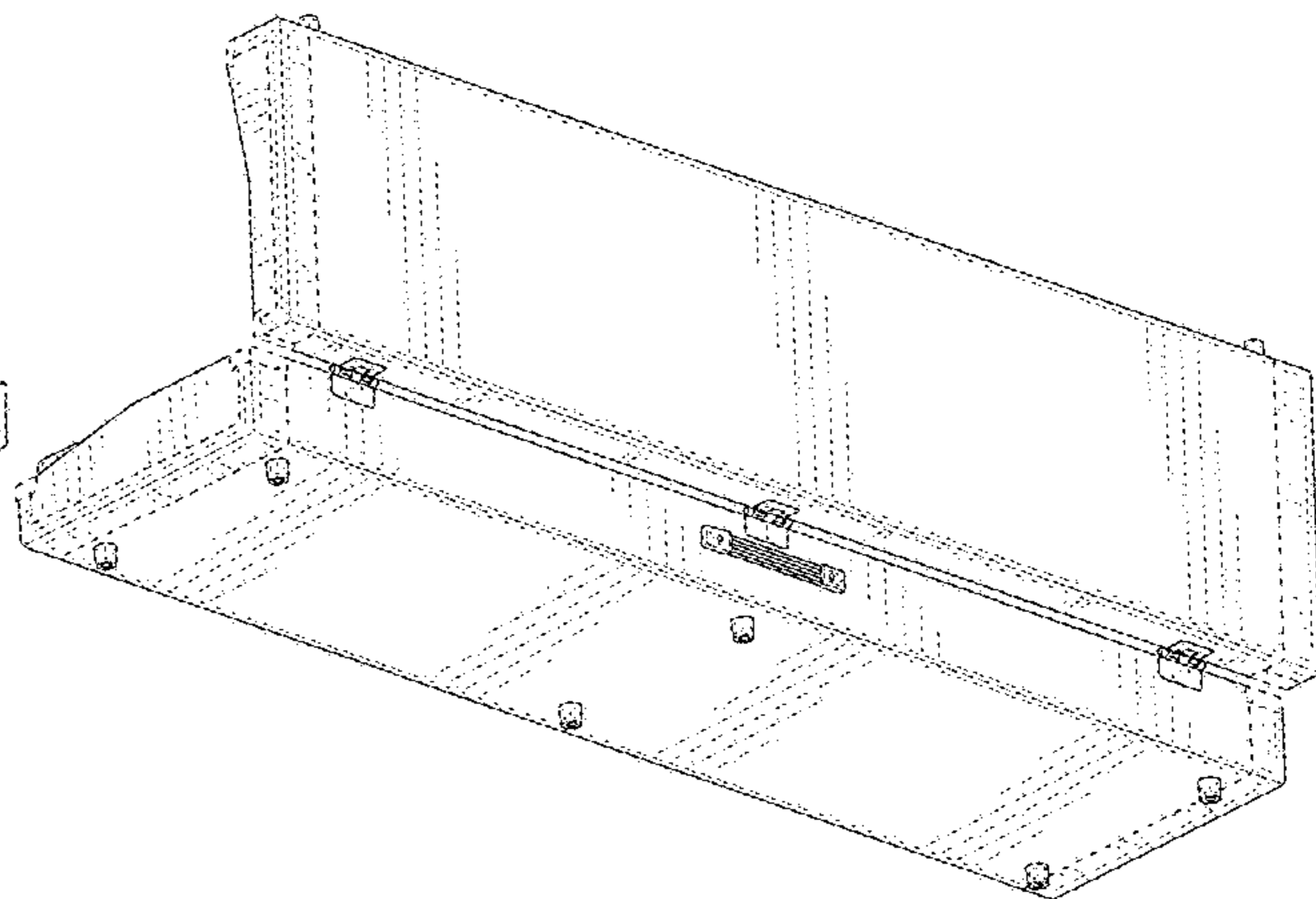
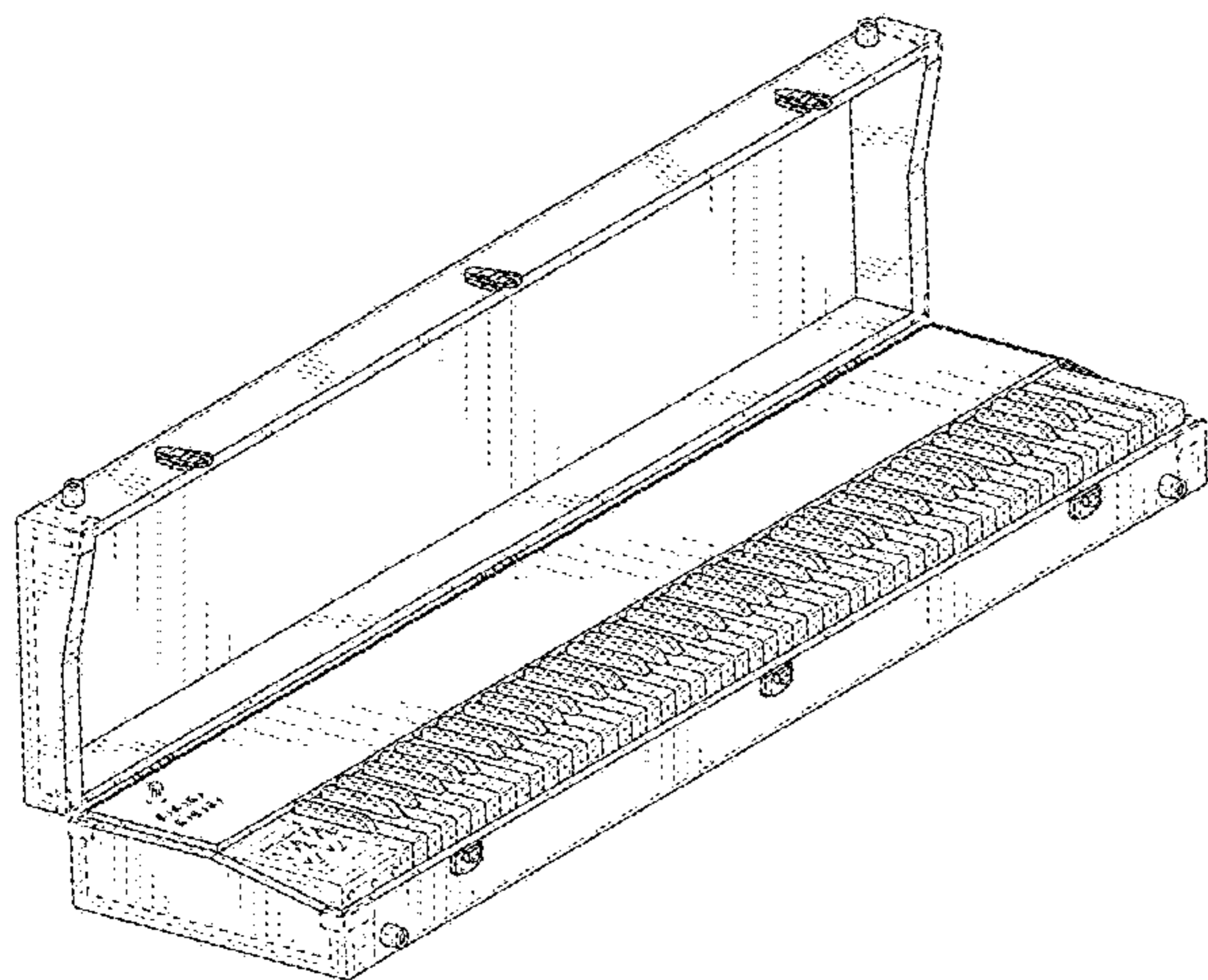
(56) **References Cited**

U.S. PATENT DOCUMENTS

2,788,698 A \* 4/1957 Wickstrom ..... G10C 3/12  
84/408  
2,791,147 A \* 5/1957 Meadows ..... G10H 1/344  
84/470 R  
3,165,022 A \* 1/1965 Yokoyama ..... G10H 1/0535  
84/405  
3,173,329 A \* 3/1965 Camillucci ..... G10C 3/12  
84/434  
D358,808 S \* 5/1995 Murdoch ..... D14/328

(Continued)

**1 Claim, 16 Drawing Sheets**



(56)

**References Cited**

U.S. PATENT DOCUMENTS

D595,335 S \* 6/2009 Kira ..... D17/1  
2013/0008296 A1\* 1/2013 Tsuchimoto ..... G10C 3/02  
84/179

\* cited by examiner

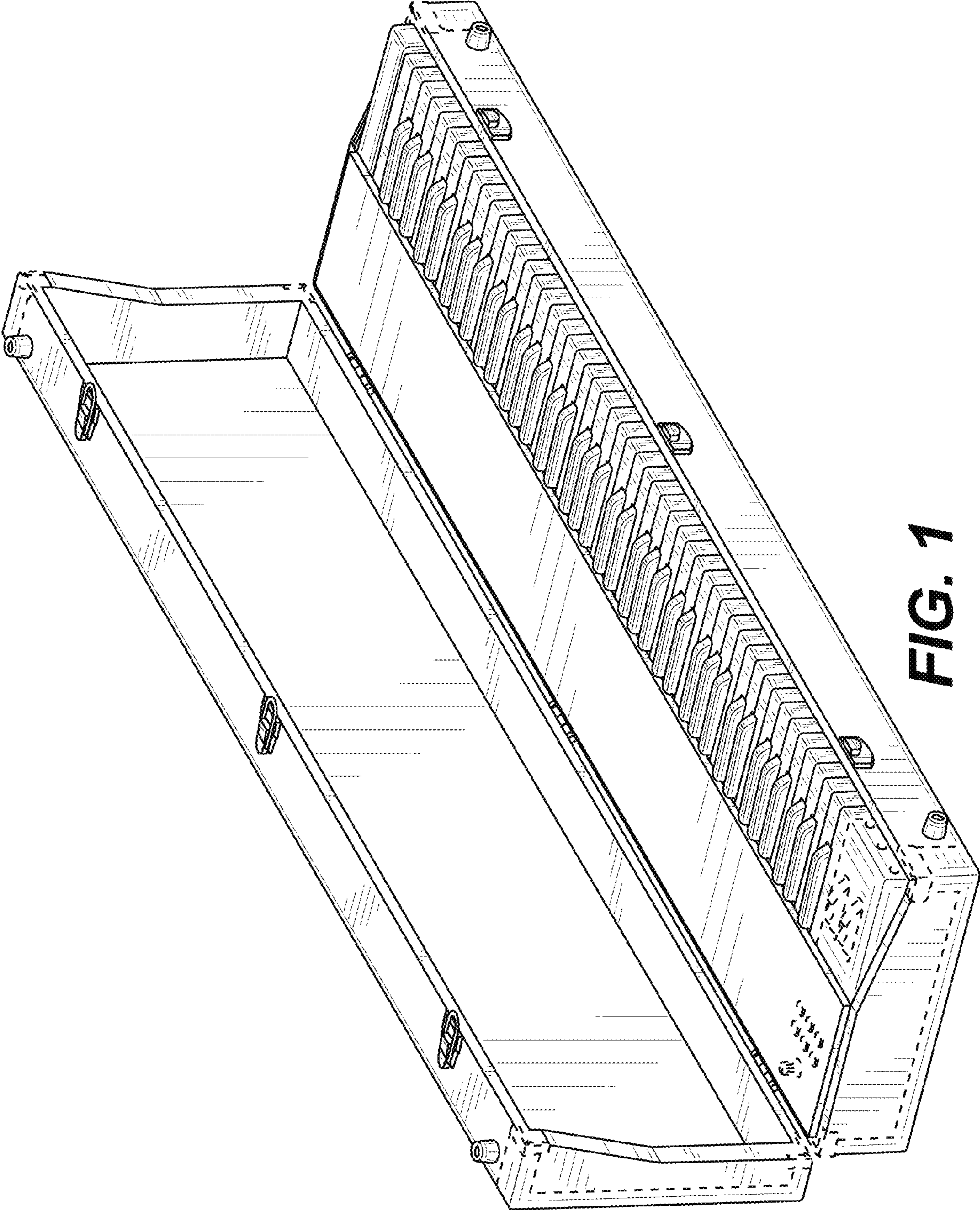
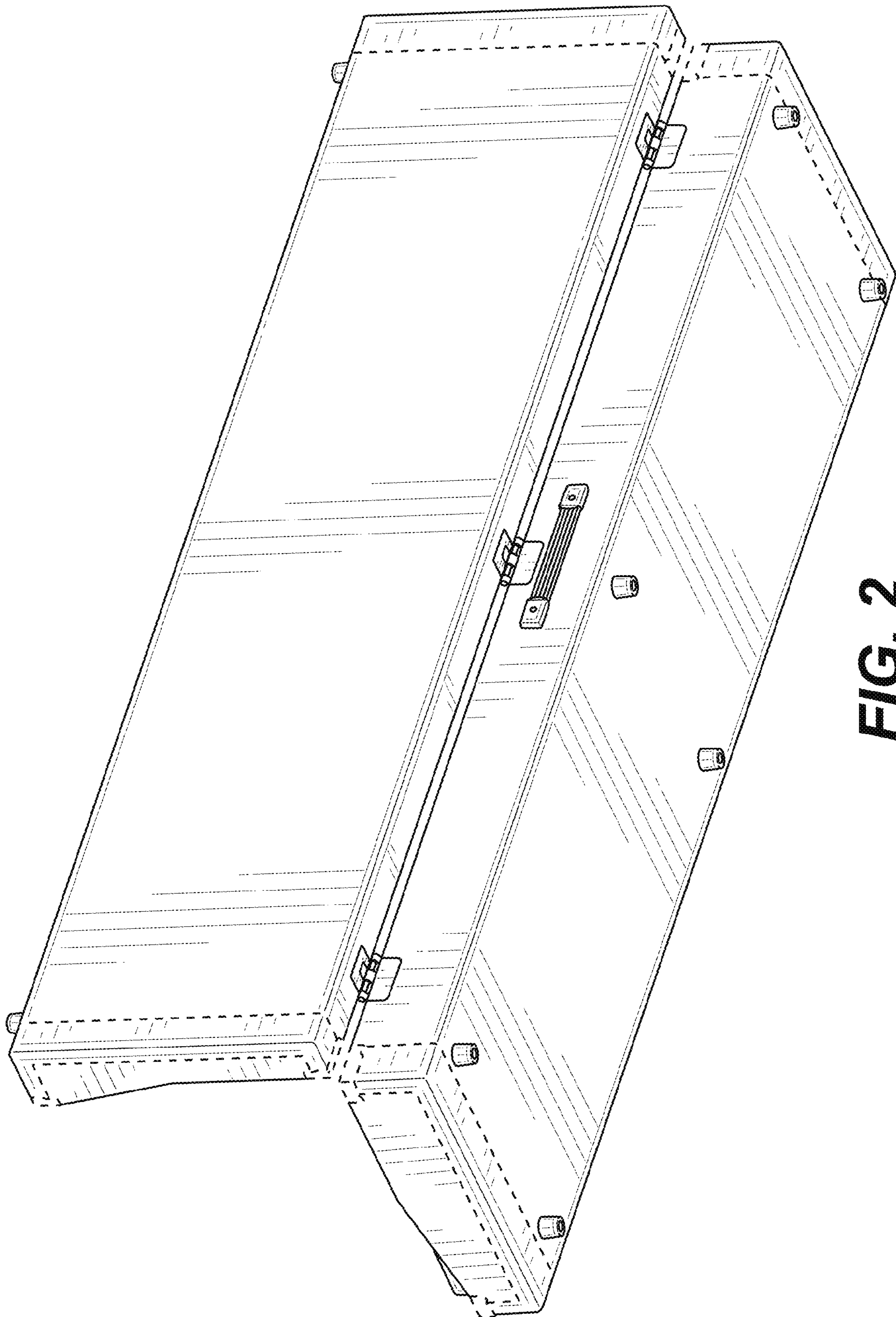
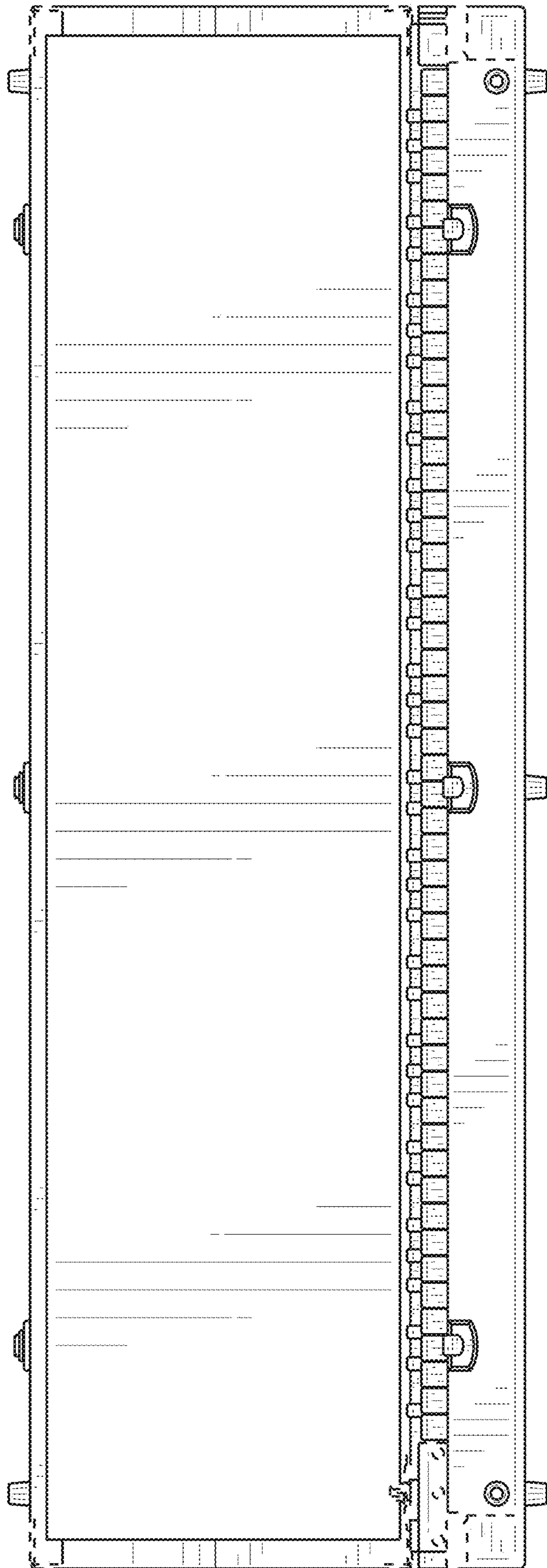


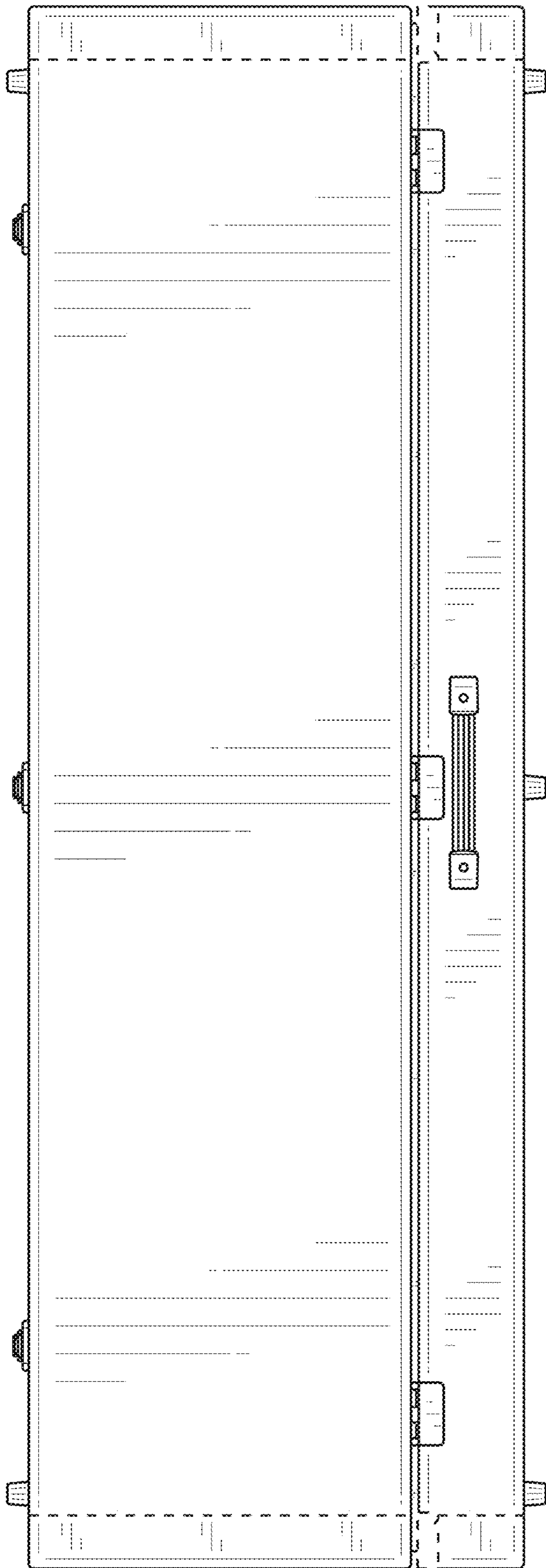
FIG. 1



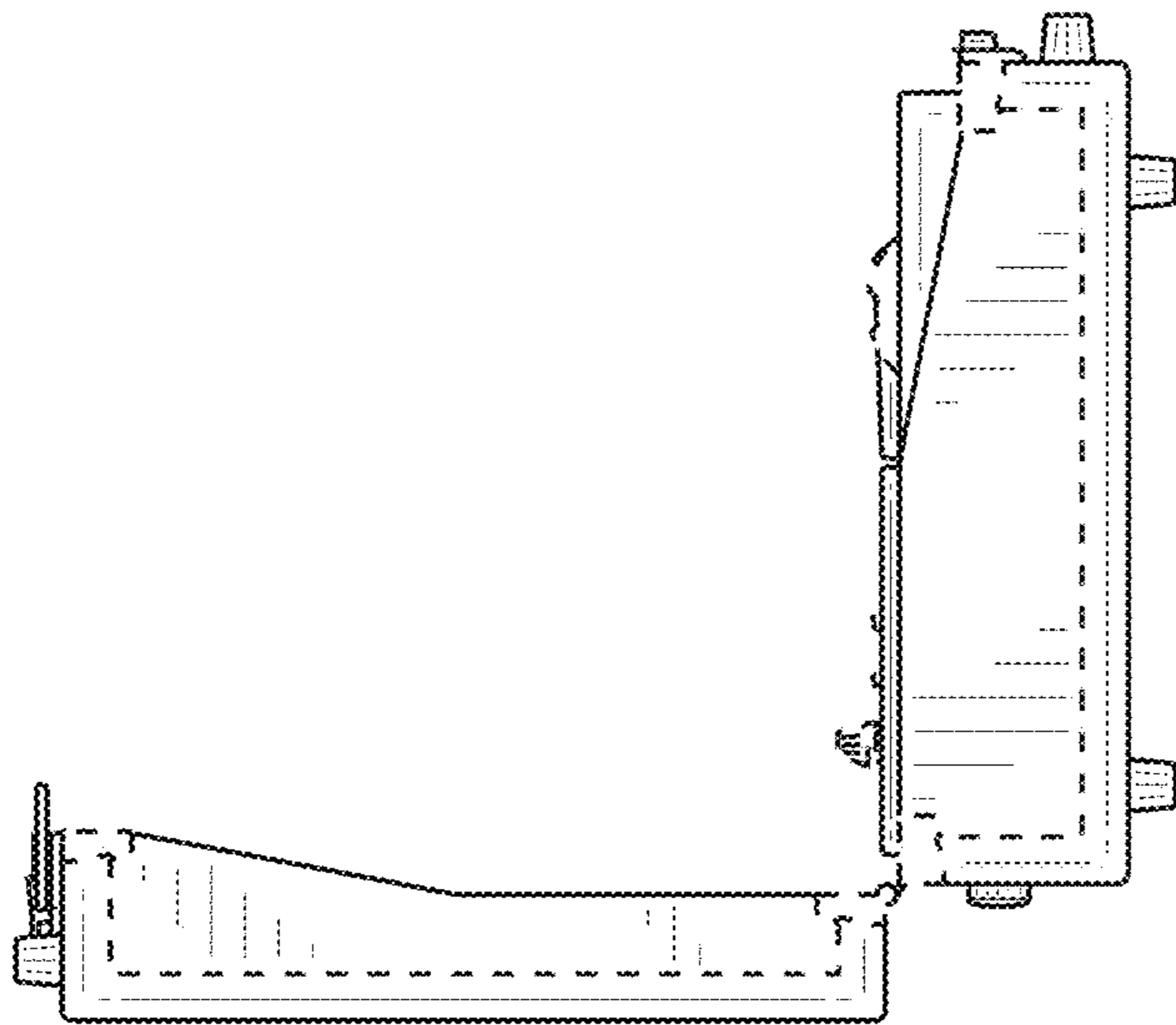
**FIG. 2**



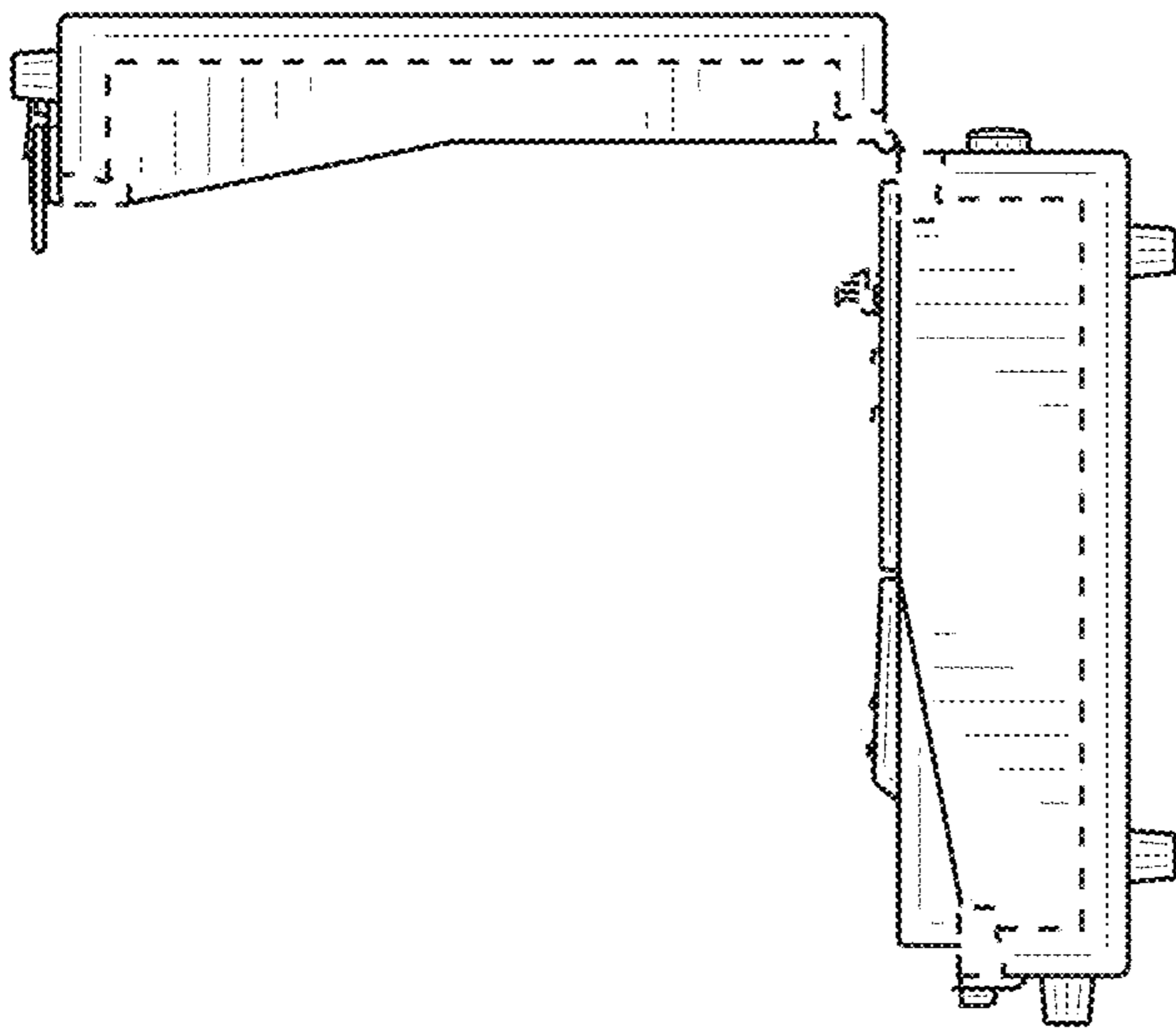
**FIG. 3**



**FIG. 4**

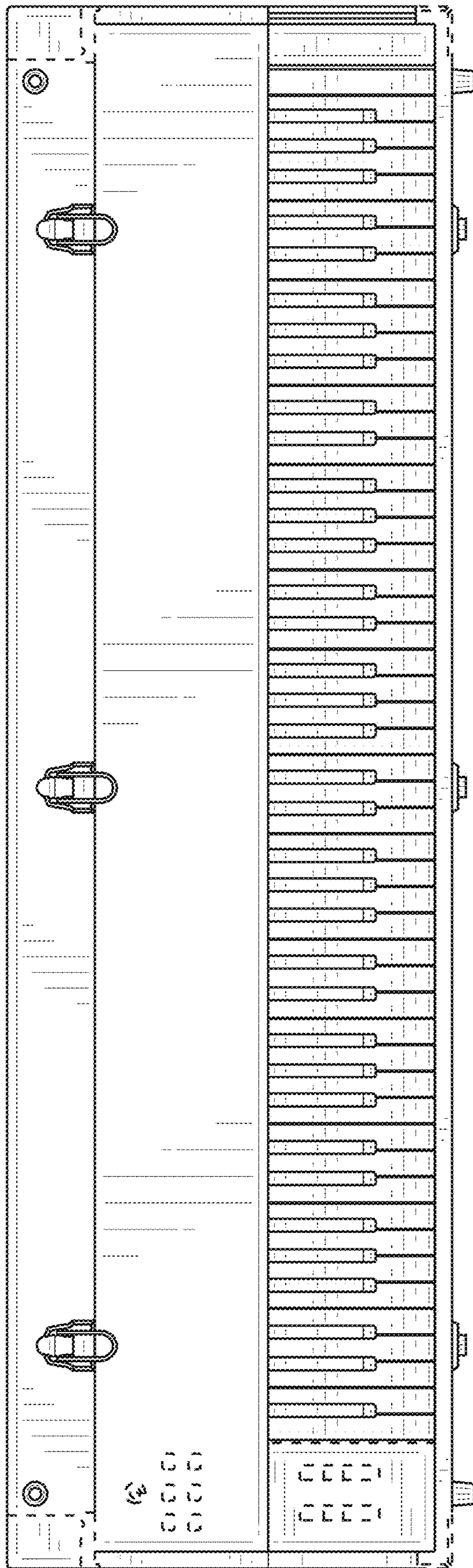


**FIG. 5**

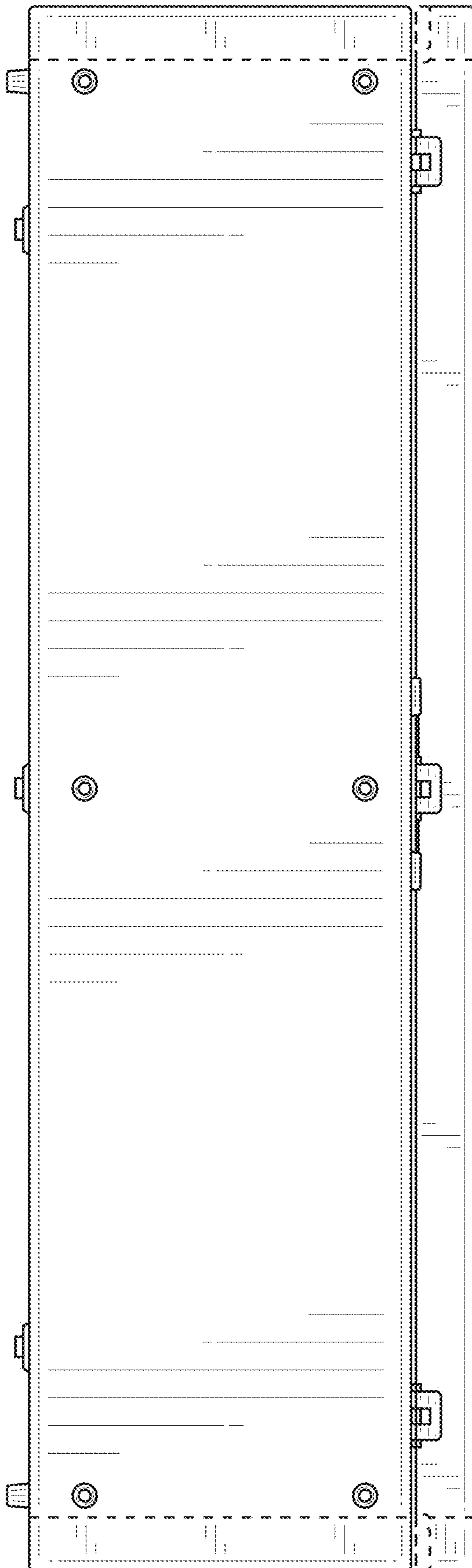


**FIG. 6**

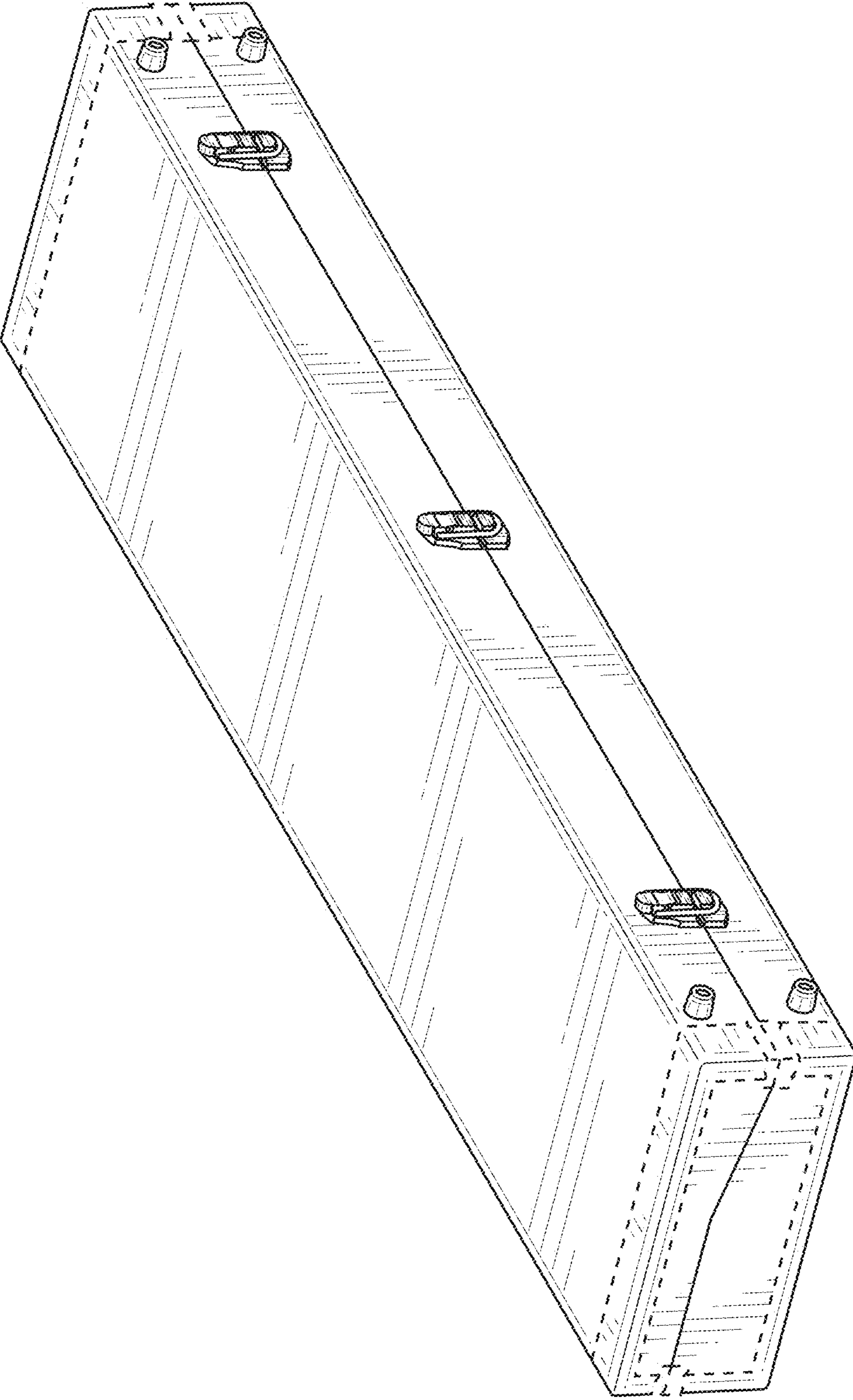




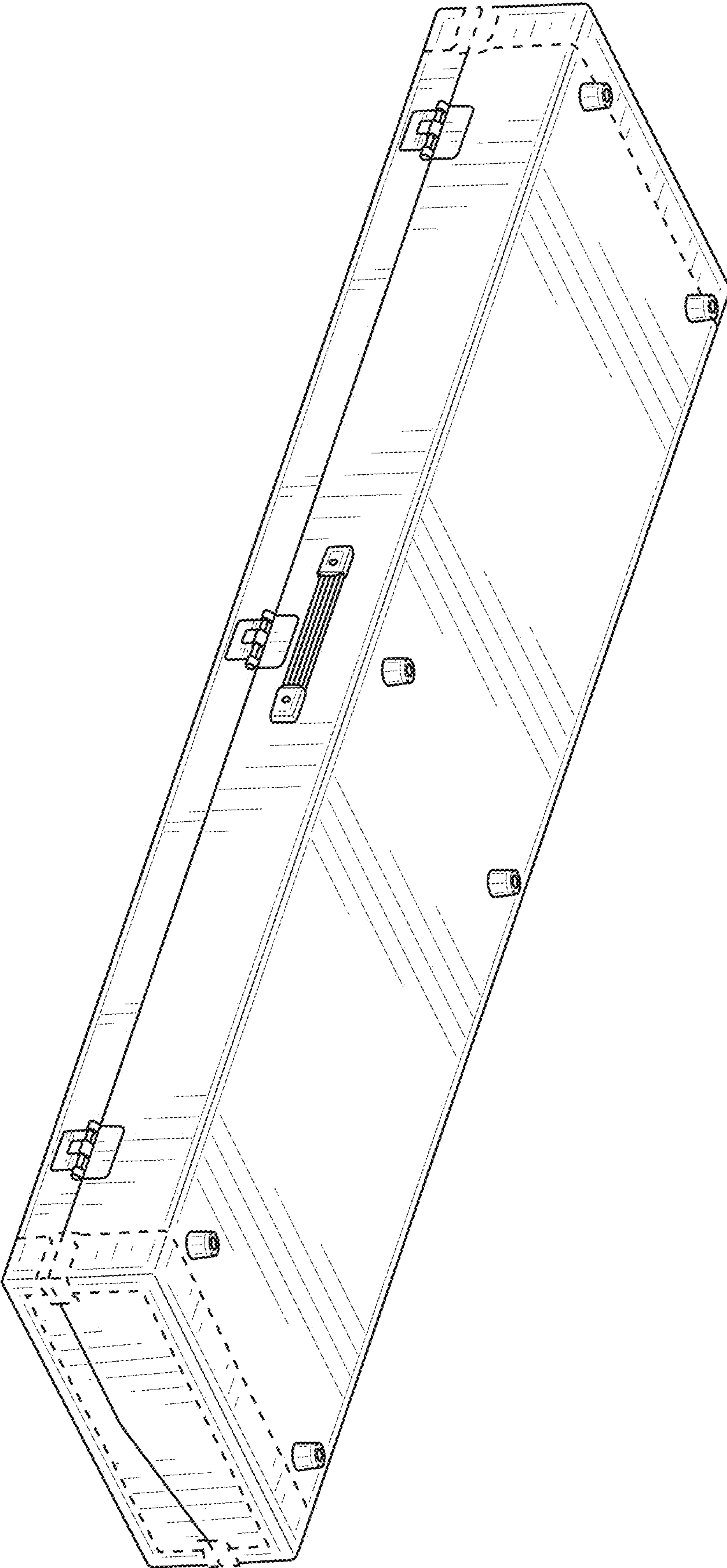
**FIG. 7**



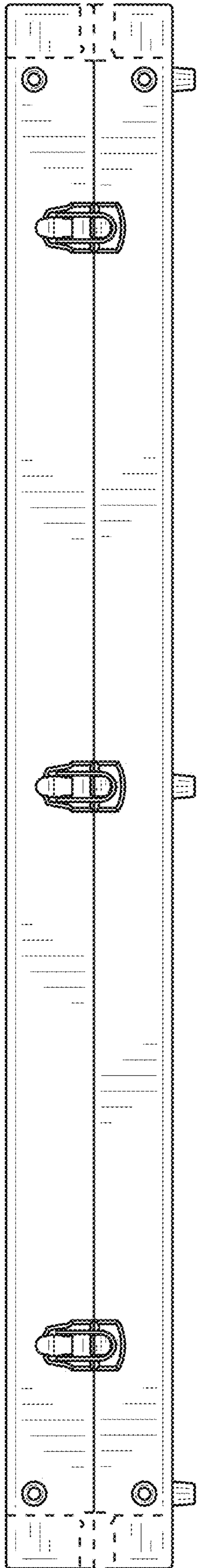
**FIG. 8**



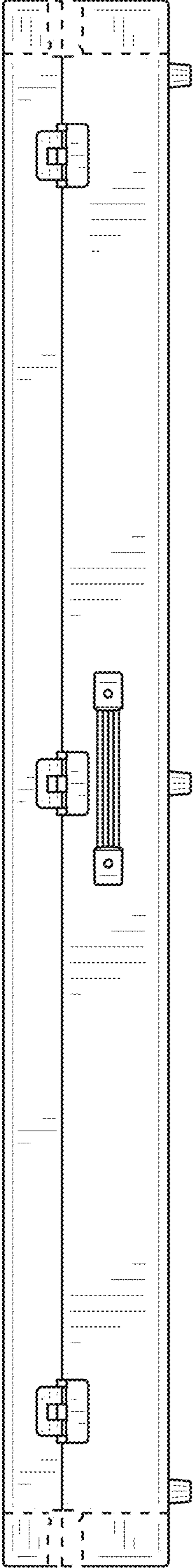
**FIG. 9**



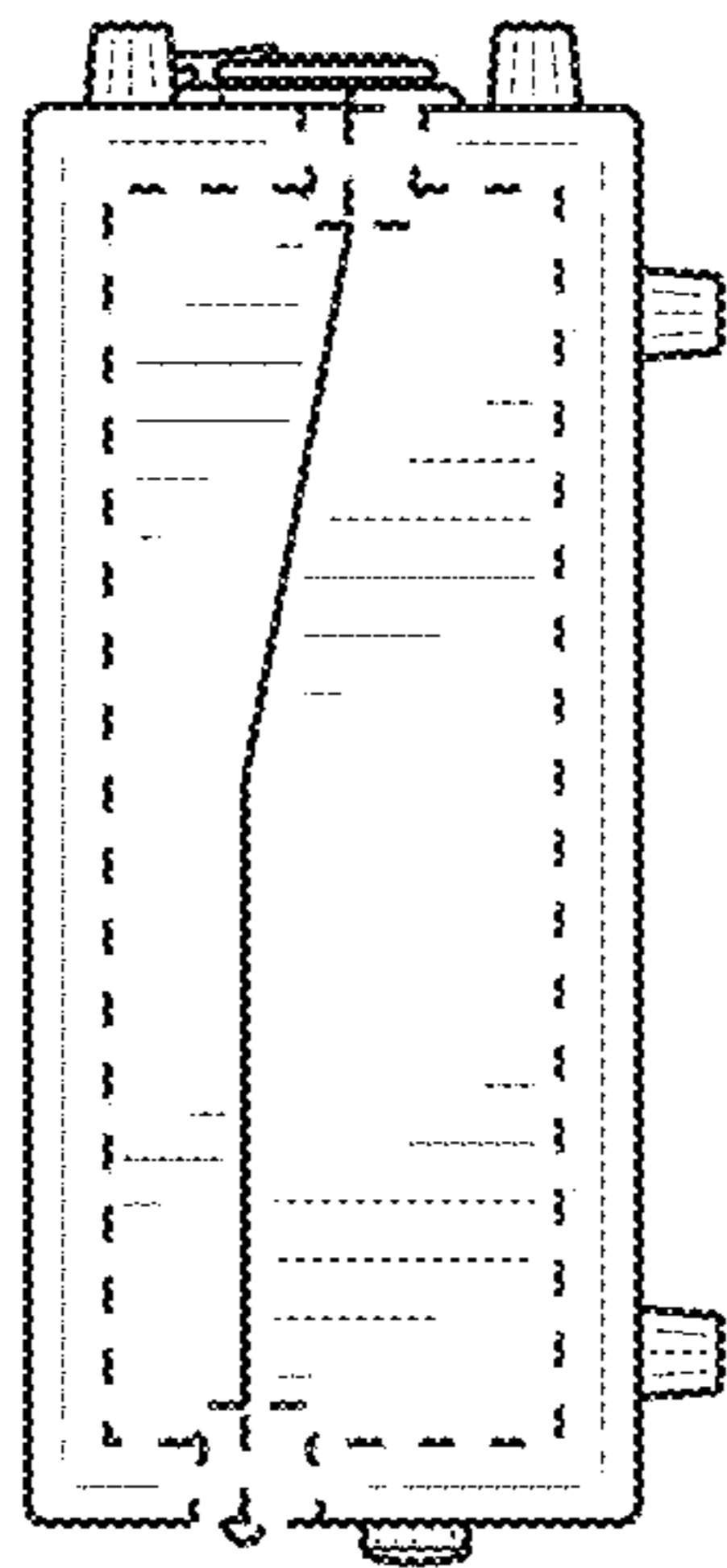
**FIG. 10**



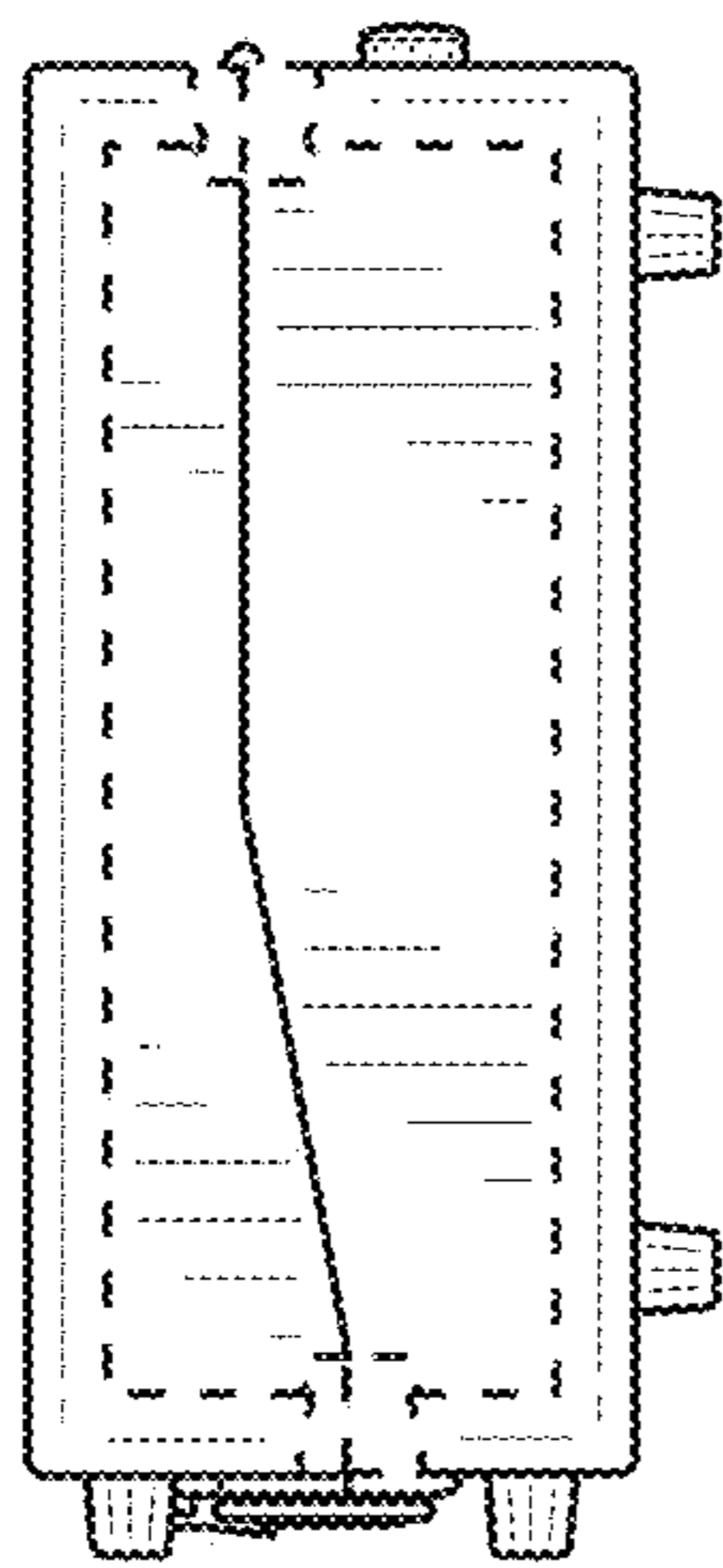
**FIG. 11**



**FIG. 12**

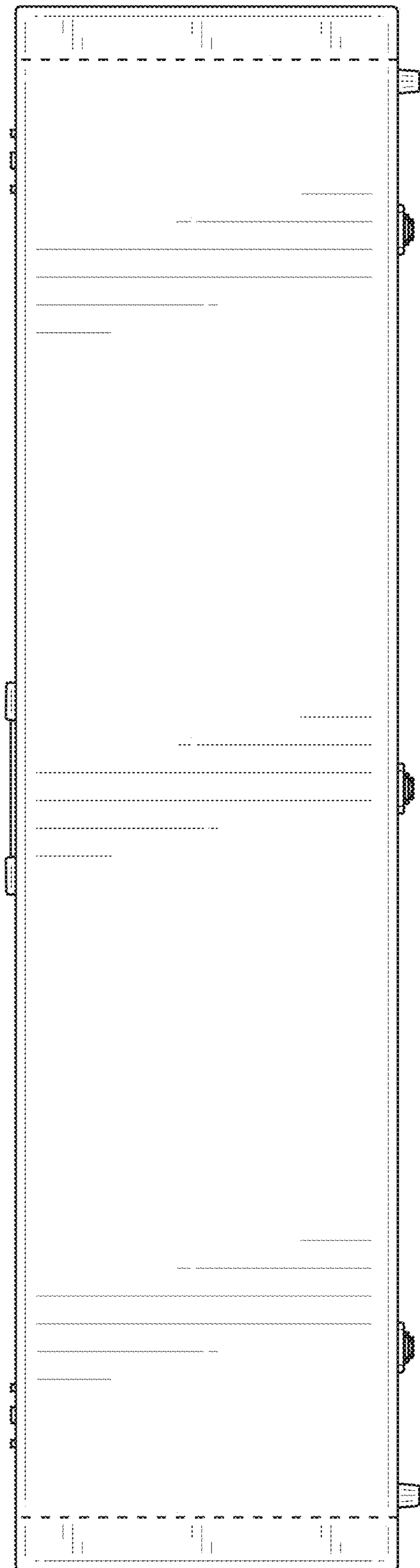


**FIG. 13**

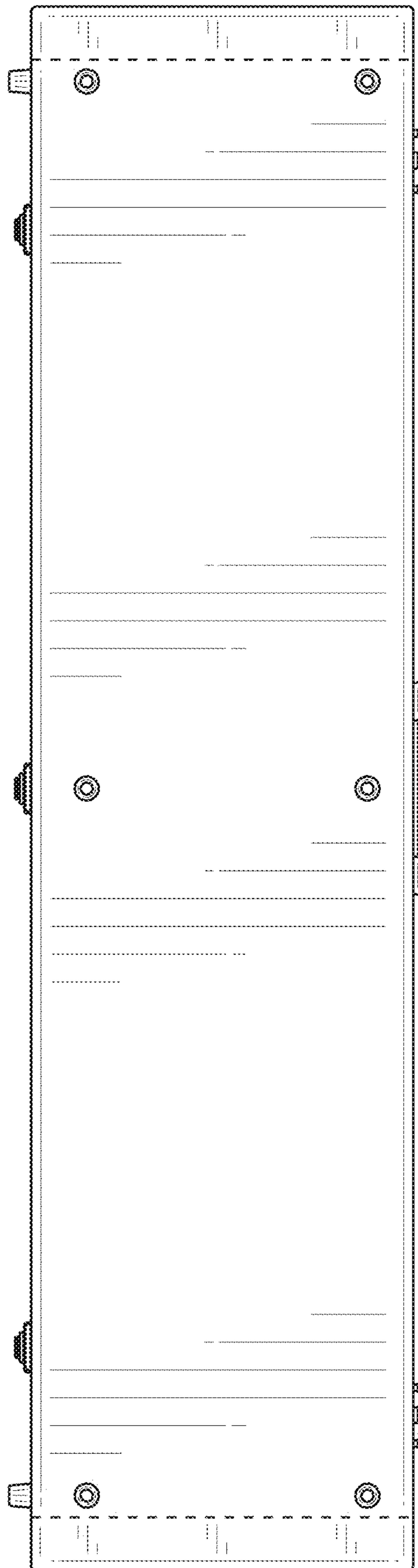


**FIG. 14**





**FIG. 15**



**FIG. 16**