



US00D898816S

(12) **United States Design Patent**
Yan

(10) **Patent No.:** **US D898,816 S**

(45) **Date of Patent:** **** Oct. 13, 2020**

(54) **EYEGLASSES TEMPLE TIP HOOK**

(71) Applicant: **SHENZHEN TOP OPTIC CO., LTD,**
Shenzhen (CN)

(72) Inventor: **DaPeng Yan,** Shenzhen (CN)

(**) Term: **15 Years**

(21) Appl. No.: **29/714,949**

(22) Filed: **Nov. 27, 2019**

(51) **LOC (12) Cl.** **16-06**

(52) **U.S. Cl.**
USPC **D16/339**

(58) **Field of Classification Search**
USPC 348/115, 53, 121, 739; 345/7-9, 905;
351/158, 153, 144; D14/125, 126, 129,
D14/299, 372, 496, 432; D16/101, 300,
D16/303-304, 309-315, 317-323,
D16/325-340; D29/108, 109, 110, 112
CPC .. A63B 33/00; A63B 33/002; G02C 2200/08;
G02C 2200/22; G02C 5/008; G02C 5/14;
G02C 5/16; G02C 5/146; G02C 5/2254;
G02C 1/06; G02C 11/02; G02C 11/04;
A61M 2021/0044; B63C 11/12; A61F
9/00; A61F 9/02

See application file for complete search history.

D310,229 S * 8/1990 Anger D16/337
D314,781 S * 2/1991 Wiedmann D16/337
D320,031 S * 9/1991 Wilson D16/335
D349,508 S * 8/1994 Conway D16/335
5,422,685 A * 6/1995 Conway G02C 3/003
351/111
5,631,718 A * 5/1997 Markovitz G02C 3/003
351/111
D477,835 S * 7/2003 Liu D16/339
6,644,808 B1 * 11/2003 Liu G02C 3/003
351/156
D672,637 S 12/2012 Chung et al.
(Continued)

OTHER PUBLICATIONS

Xianews silicone Eyewear Temple Tips, early review Jun. 25, 2019, [online], [site visited Apr. 11, 2020]. Available from Internet, <URL: https://www.amazon.com/Xianews-Eyeglasses-Anti-Slip-Retainers-Sunglasses/dp/B07QMVHLYQ/ref=cm_cr_arp_d_product_top?ie=UTF8> (Year: 2019).*

(Continued)

Primary Examiner — Sanjeev Paul
(74) *Attorney, Agent, or Firm* — HYIP

(57) **CLAIM**

The ornamental design for an eyeglasses temple tip hook, as shown and described.

DESCRIPTION

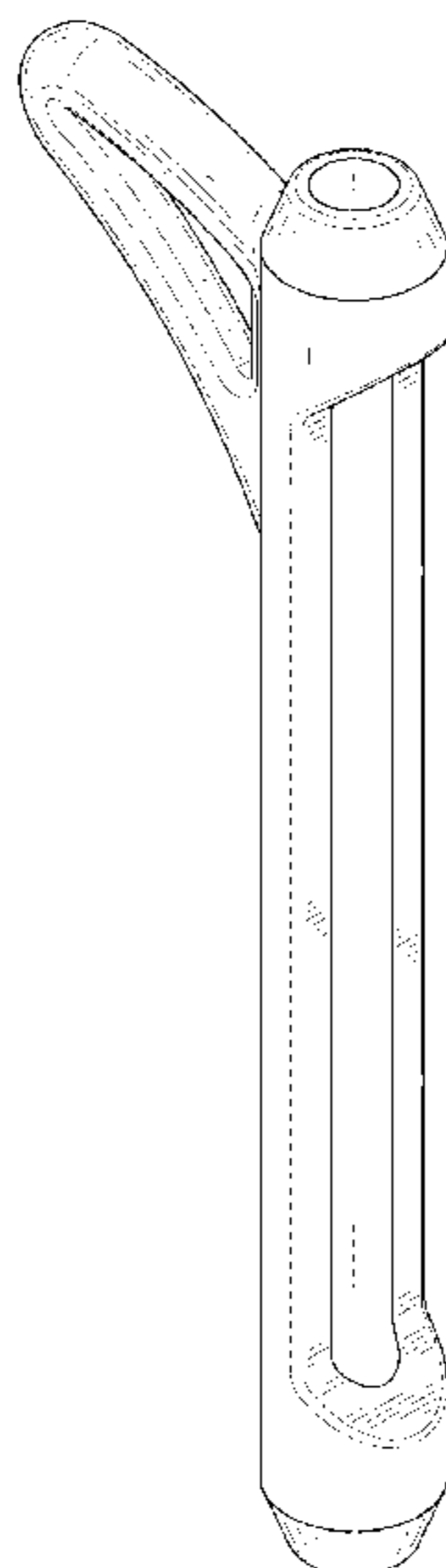
FIG. 1 is a first perspective view of an eyeglasses temple tip hook showing my new design;
FIG. 2 is a second perspective view thereof;
FIG. 3 is a front view thereof;
FIG. 4 is a back view thereof;
FIG. 5 is a left side view thereof;
FIG. 6 is a right side thereof;
FIG. 7 is a top view thereof; and,
FIG. 8 is a bottom view thereof.

1 Claim, 8 Drawing Sheets

(56) **References Cited**

U.S. PATENT DOCUMENTS

1,833,792 A * 11/1931 Pfaus G02C 5/143
351/123
3,953,114 A * 4/1976 Bidgood G02C 5/00
351/123
4,548,484 A * 10/1985 Ehring G02C 3/003
351/123
D286,891 S * 11/1986 Anger D16/337
4,657,364 A * 4/1987 Murrell G02C 3/003
351/123
D307,152 S * 4/1990 Shin D16/337
D310,228 S * 8/1990 Wiedmann D16/337



(56)

References Cited

U.S. PATENT DOCUMENTS

D751,140 S * 3/2016 Ly D16/339
D817,747 S 5/2018 Dockery et al.
D865,494 S 11/2019 Adelman
2005/0168680 A1* 8/2005 Yoshida G02C 3/003
351/41
2012/0169991 A1* 7/2012 Yang G02C 5/143
351/119
2014/0078463 A1* 3/2014 Tsai G02C 5/143
351/123
2015/0293374 A1* 10/2015 Wanderer G02C 5/143
351/123

OTHER PUBLICATIONS

GMS Optical Premium Grade comfortable silicone temple tip, early review May 8, 2014, [online], [site visited Apr. 11, 2020]. Available from Internet, <URL: <https://www.amazon.com/GMS-Optical-Comfortable-Silicone-Anti-slip/dp/B00DUWLI8S>> (Year: 2014).*

* cited by examiner

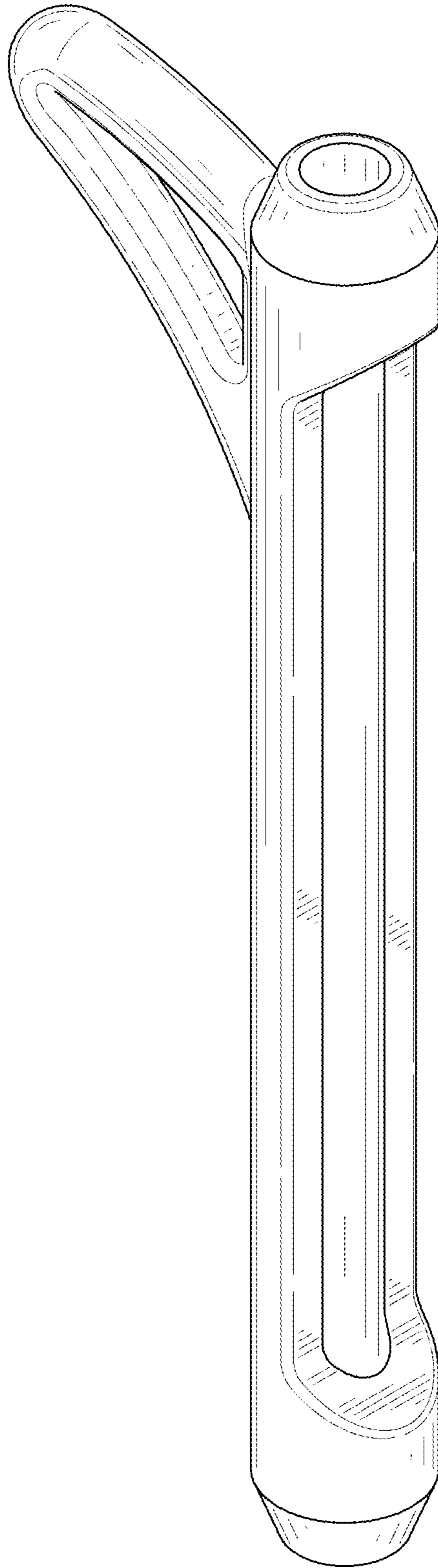


FIG. 1

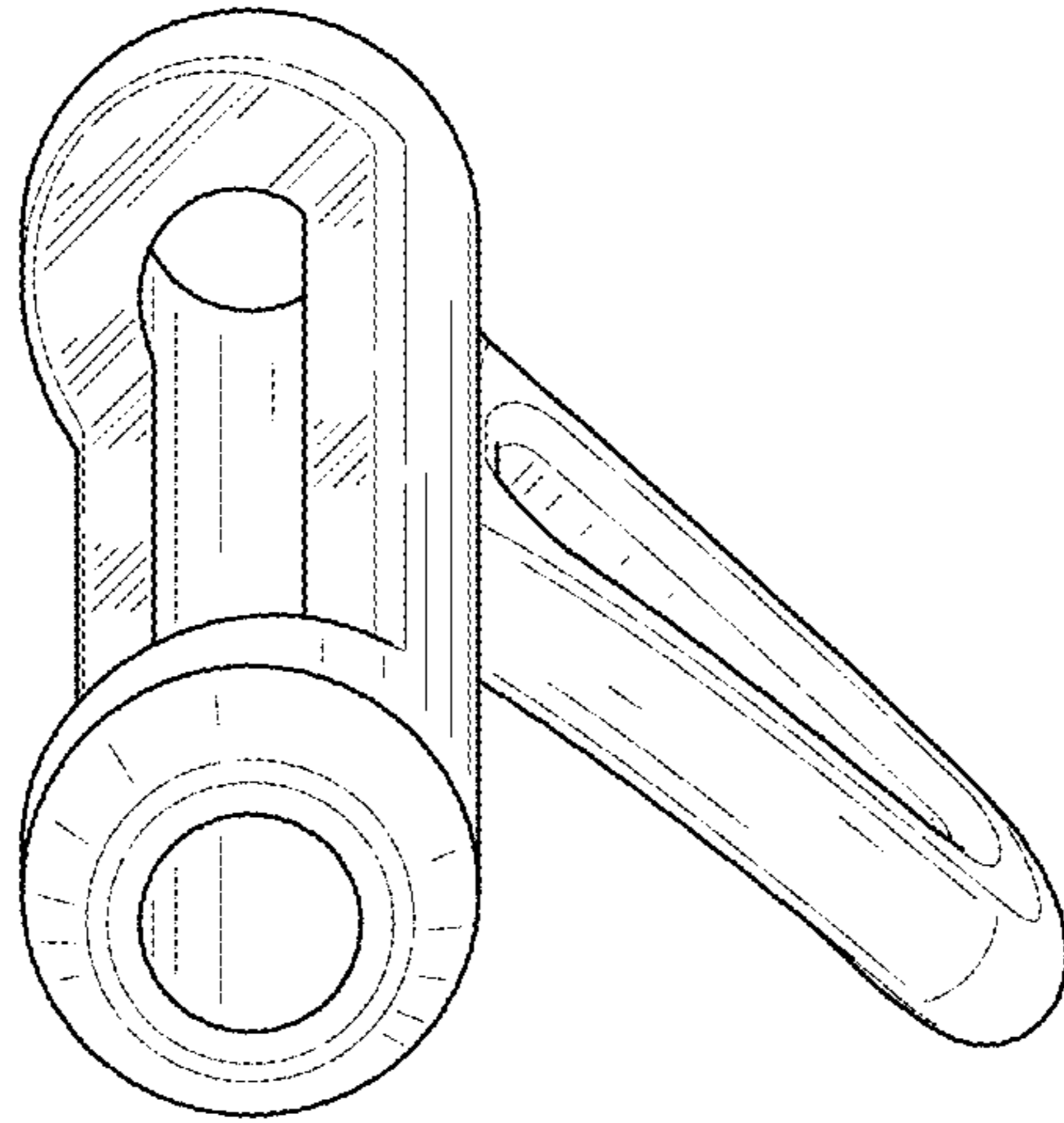


FIG. 2

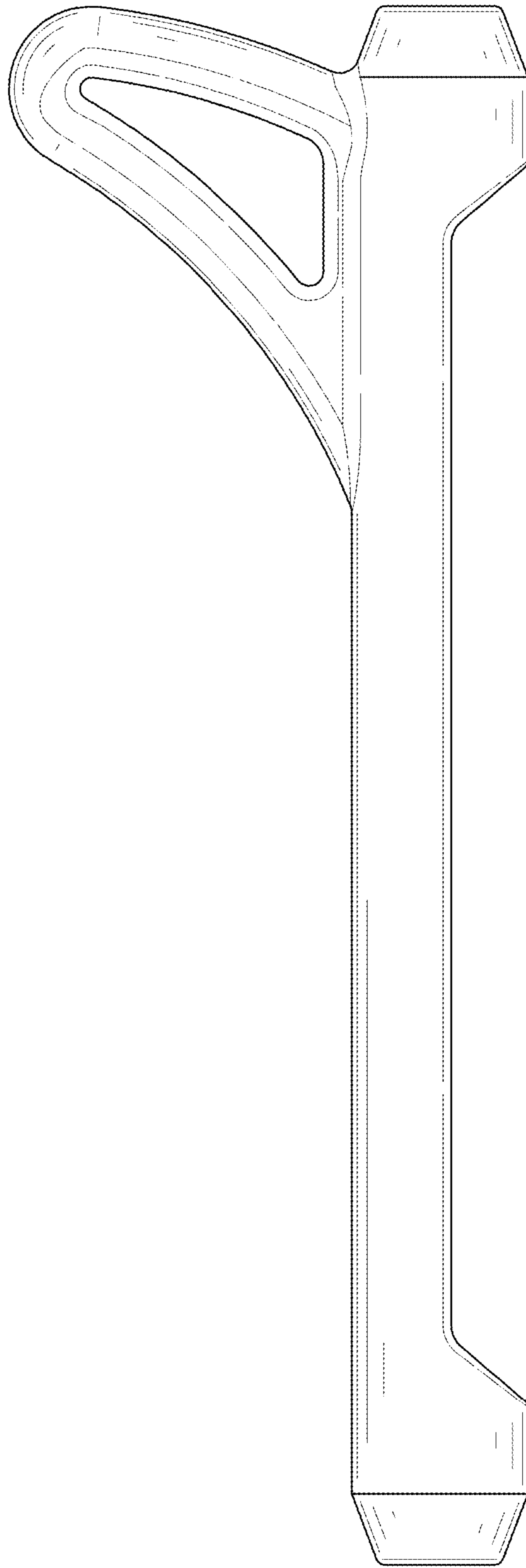


FIG. 3

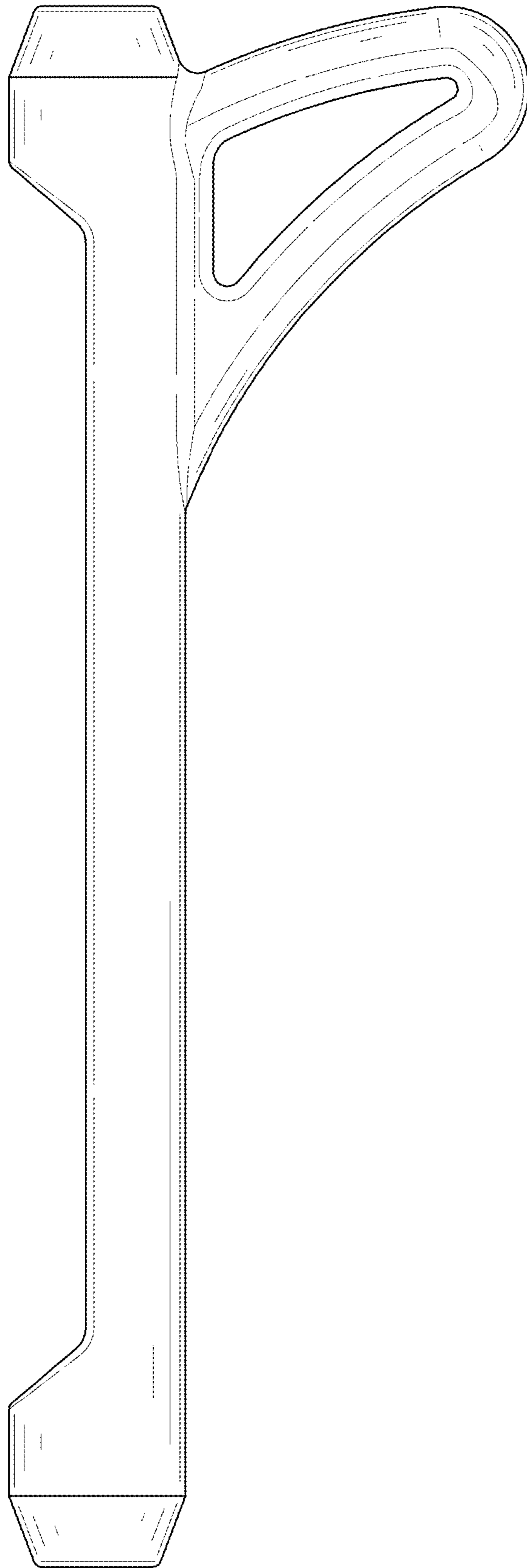


FIG. 4

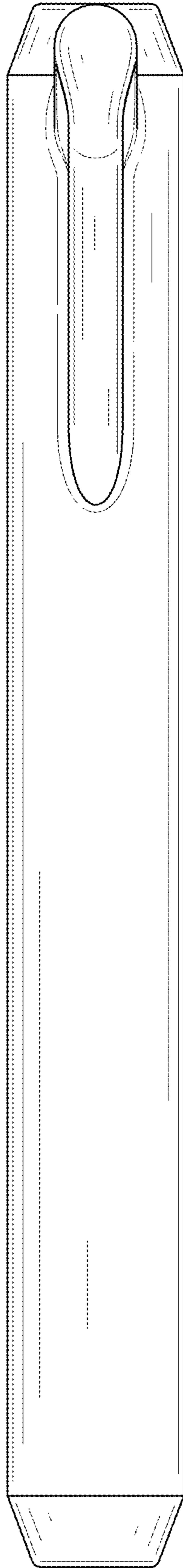


FIG. 5

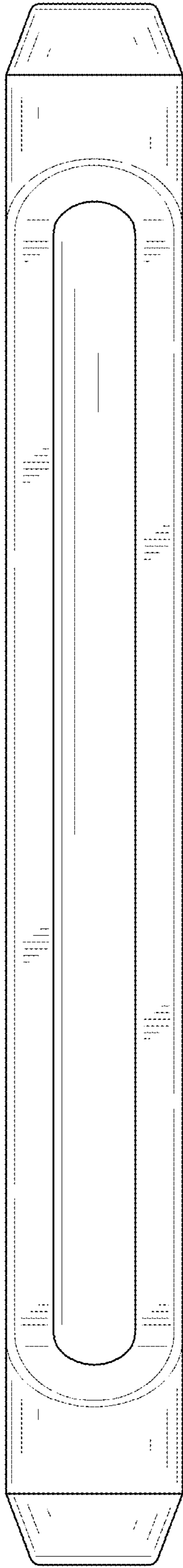


FIG. 6

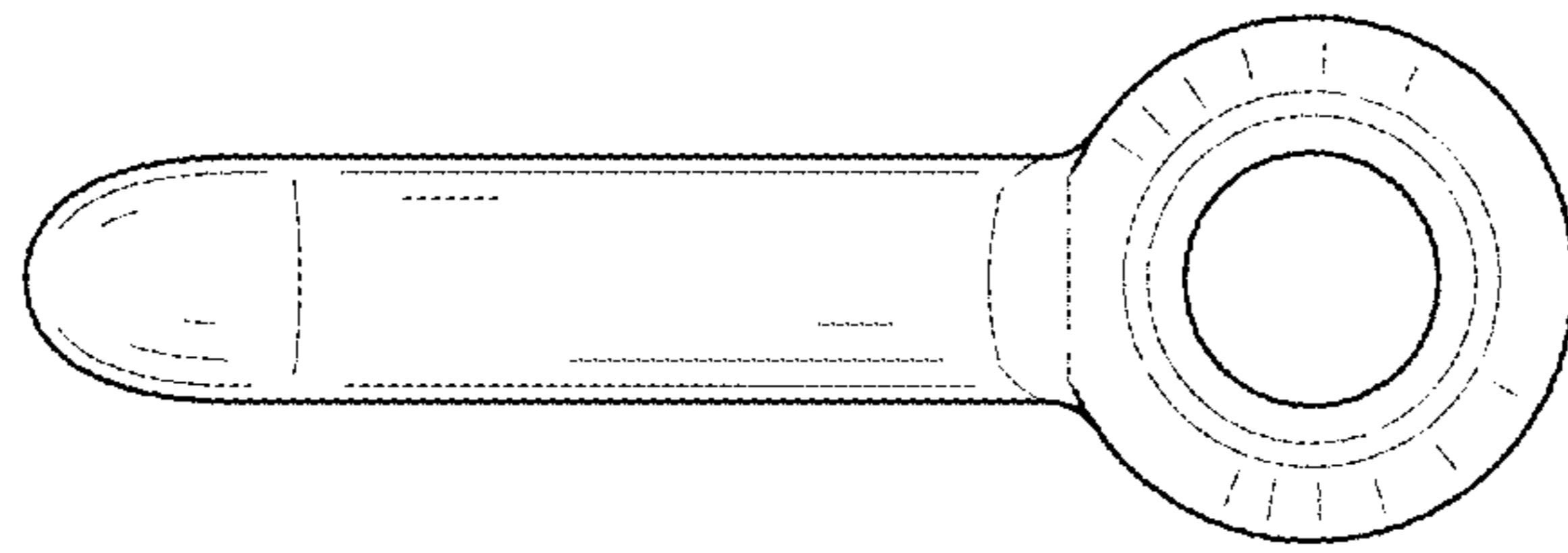


FIG. 7

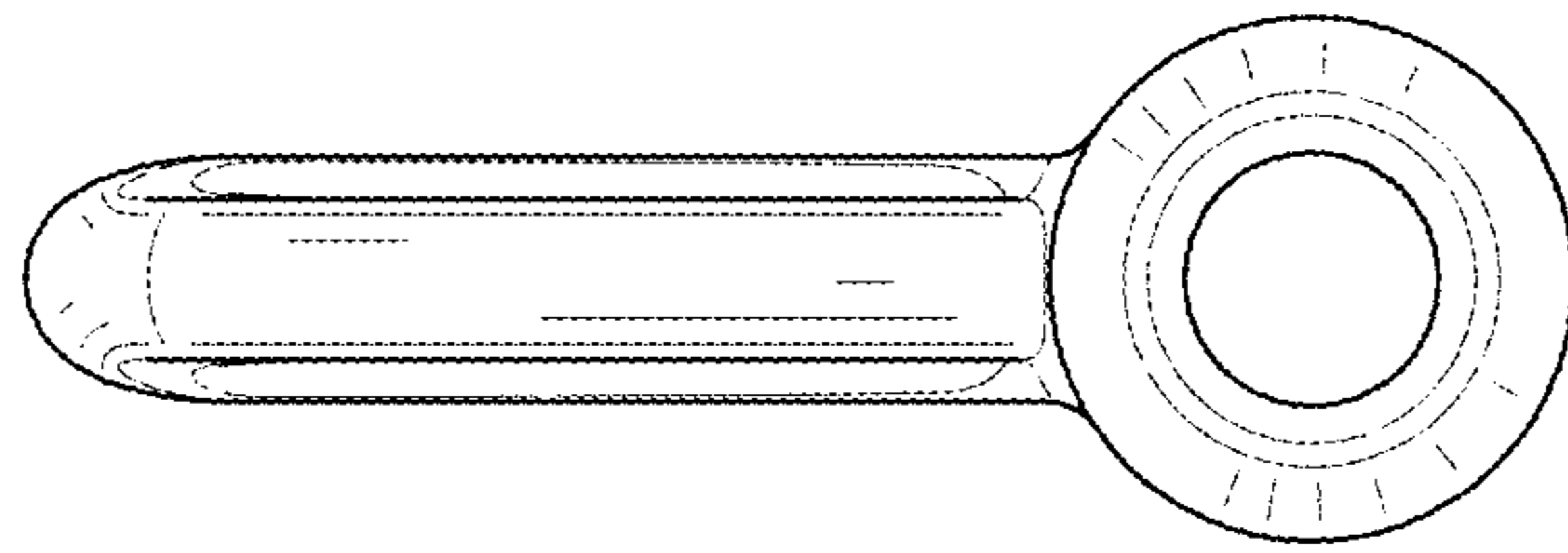


FIG. 8