



US00D898814S

(12) **United States Design Patent**
Tillmann

(10) **Patent No.:** **US D898,814 S**

(45) **Date of Patent:** **** Oct. 13, 2020**

(54) **CONTACT LENS INSERTER**

(71) Applicant: **TJSC OPTIX INC.**, Longwood, FL (US)

(72) Inventor: **John Tillmann**, Longwood, FL (US)

(73) Assignee: **TJSC OPTIX INC.**, Longwood, FL (US)

(**) Term: **15 Years**

(21) Appl. No.: **29/690,272**

(22) Filed: **May 7, 2019**

(51) **LOC (12) Cl.** **16-06**

(52) **U.S. Cl.**
USPC **D16/331**

(58) **Field of Classification Search**
USPC D16/101, 300, 301, 303, 310, 311, 312, D16/313-316, 319, 320, 325-326, 328, D16/329, 330, 331, 332, 334, 335, 340, D16/341, 342; D29/109-110; D14/372; 351/41, 44, 45-48, 51-52, 62, 158, 92, 351/103-123, 140-153, 63, 59
CPC A63B 33/00; A63B 33/002; G02C 1/00; G02C 1/02; G02C 1/04; G02C 1/06; G02C 5/02; G02C 5/04; G02C 5/08; G02C 5/12; G02C 5/22; G02C 7/04; G02C 7/046; G02C 7/048; G02C 9/00; G02C 9/02; G02C 9/04; G02C 11/00; G02C 11/02; G02C 2200/00; G02C 2200/02; A61F 9/00

See application file for complete search history.

(56) **References Cited**

U.S. PATENT DOCUMENTS

1,724,621 A * 8/1929 Sacks A61H 35/02
604/301

2,379,629 A * 7/1945 Eweson A61F 9/0061
294/1.2

2,482,431 A * 9/1949 Okawa A61H 35/02
604/301

2,919,696 A * 1/1960 Rinaldy A61F 9/0061
294/1.2

3,129,971 A * 4/1964 Kobler A61F 9/0061
294/1.2

3,139,298 A 6/1964 Grabel

D205,683 S * 9/1966 Toran D16/331

3,304,113 A * 2/1967 Hutchison A61F 9/0061
294/1.2

3,743,337 A * 7/1973 Crary A61F 9/0061
294/1.2

D243,602 S 3/1977 Updegraff

4,026,591 A 5/1977 Cleaveland

4,071,272 A * 1/1978 Drdlik A61F 9/0061
294/1.2

4,082,339 A * 4/1978 Ross A61F 9/0061
294/1.2

(Continued)

OTHER PUBLICATIONS

OptiWand-Single, announced unknown, [online], [site visited May 23, 2020]. Available from Internet, <URL: <https://www.contactlenskit.com/product/optiwand/>> (Year: 2020).*

Primary Examiner — Sanjeev Paul
(74) *Attorney, Agent, or Firm* — Allen, Dyer et al.

(57) **CLAIM**

The ornamental design for a contact lens inserter, as shown and described.

DESCRIPTION

FIG. 1 is a perspective view of a contact lens inserter showing my new design;

FIG. 2 is a bottom perspective view thereof;

FIG. 3 is a top plan view thereof;

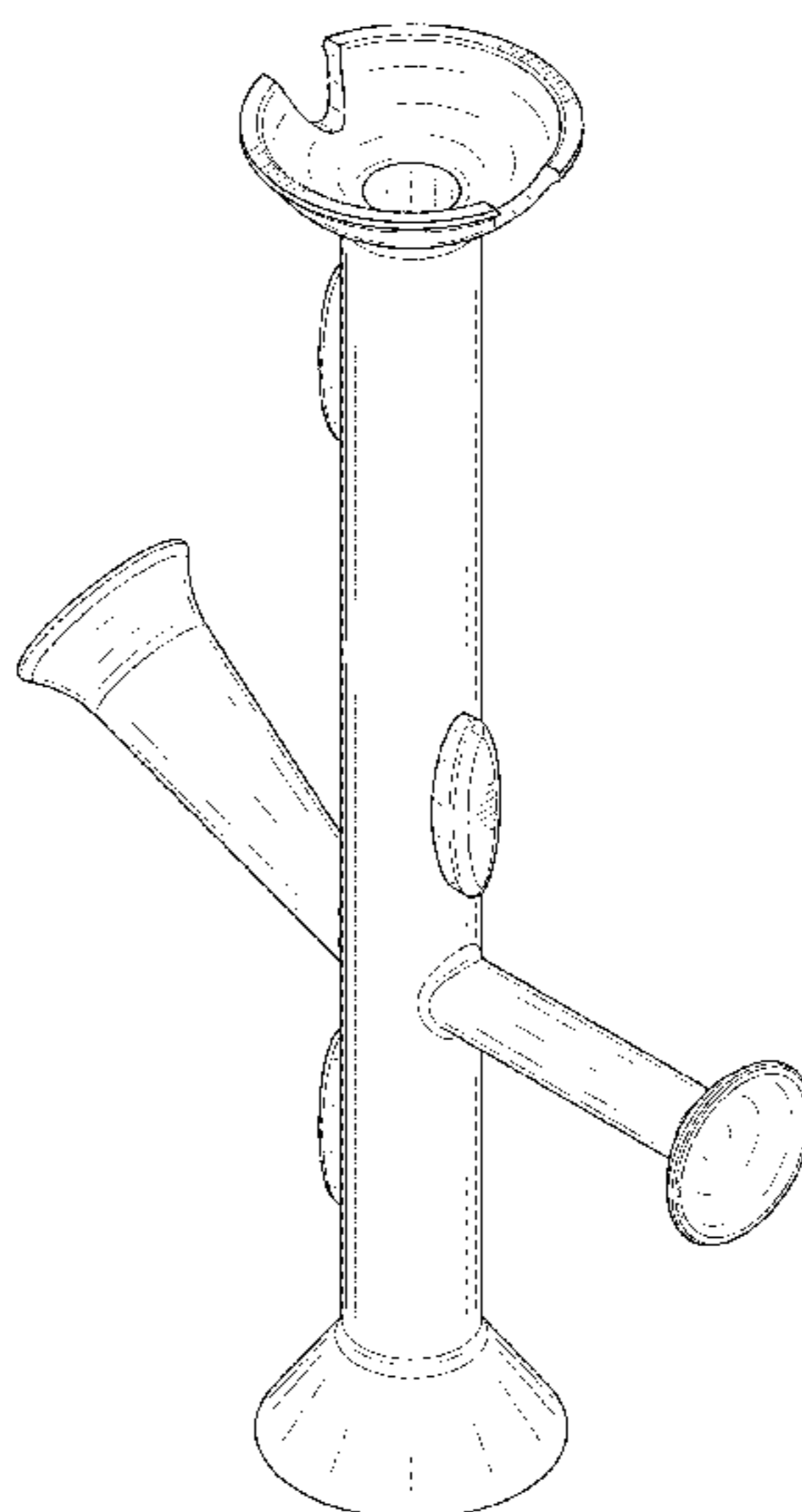
FIG. 4 is a bottom plan view thereof;

FIG. 5 is a front elevational view thereof, the rear elevational view being a mirror image;

FIG. 6 is a left side elevational view thereof; and,

FIG. 7 is a right side elevational view thereof.

1 Claim, 5 Drawing Sheets



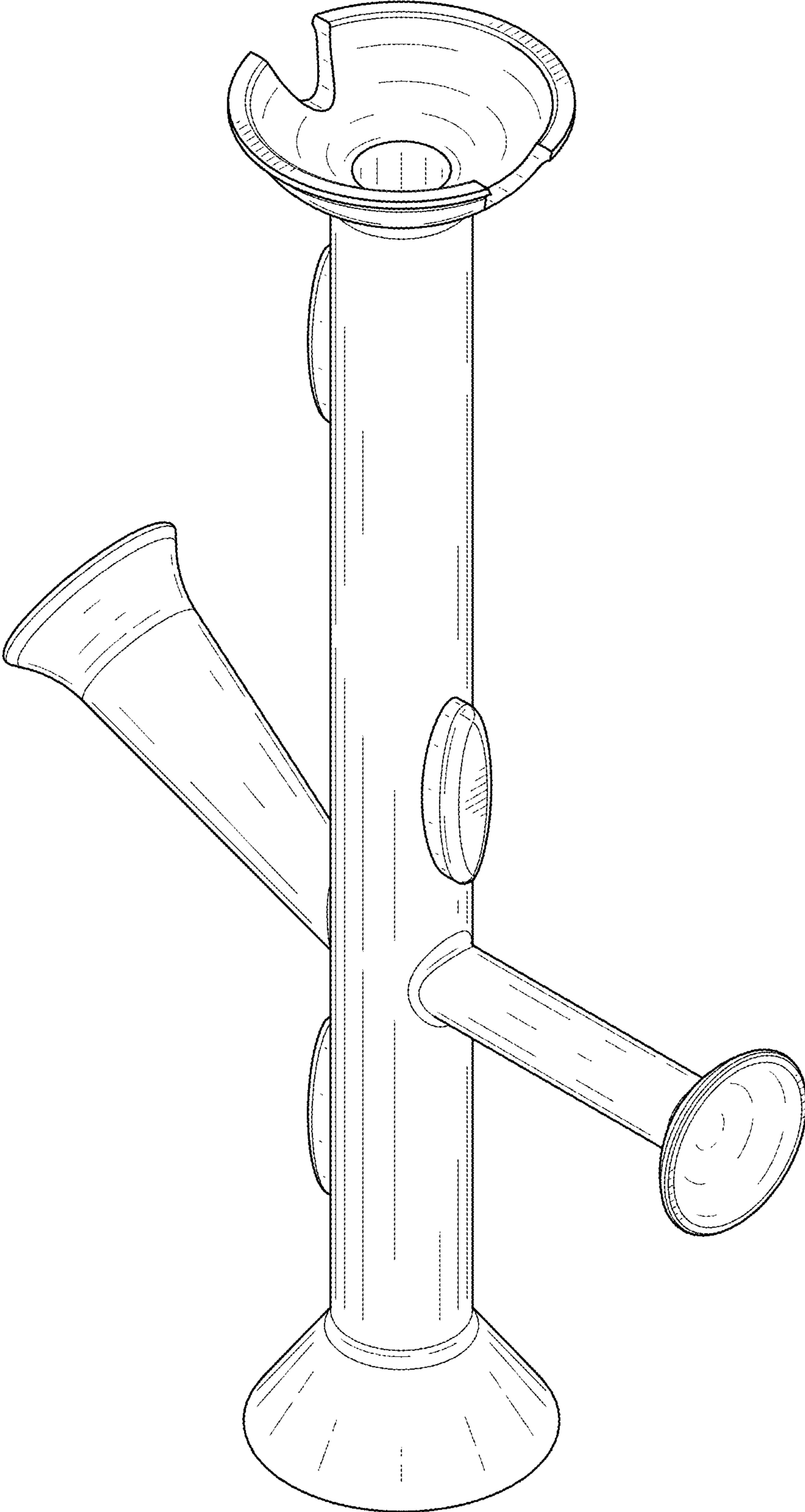


FIG. 1

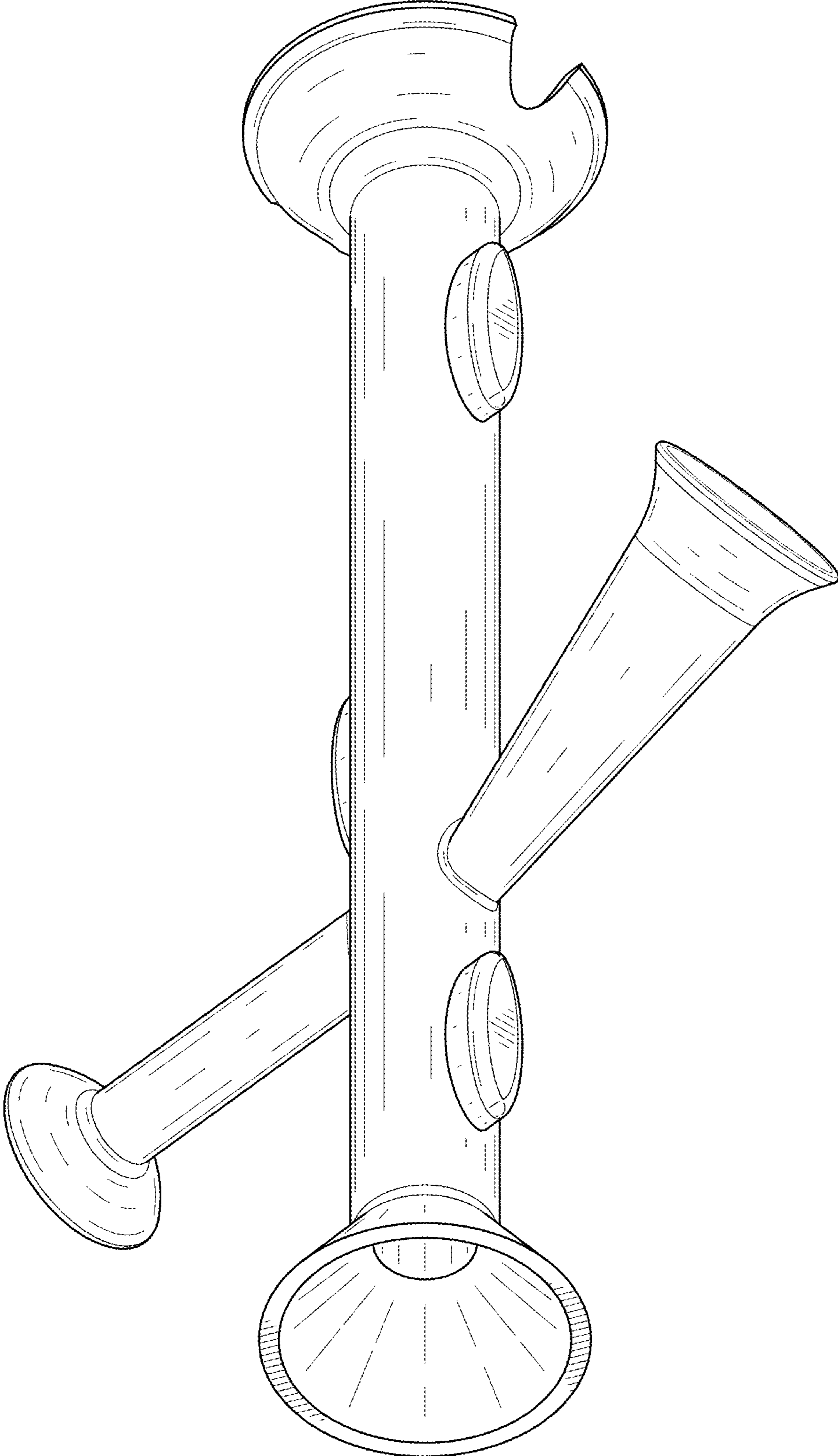


FIG. 2

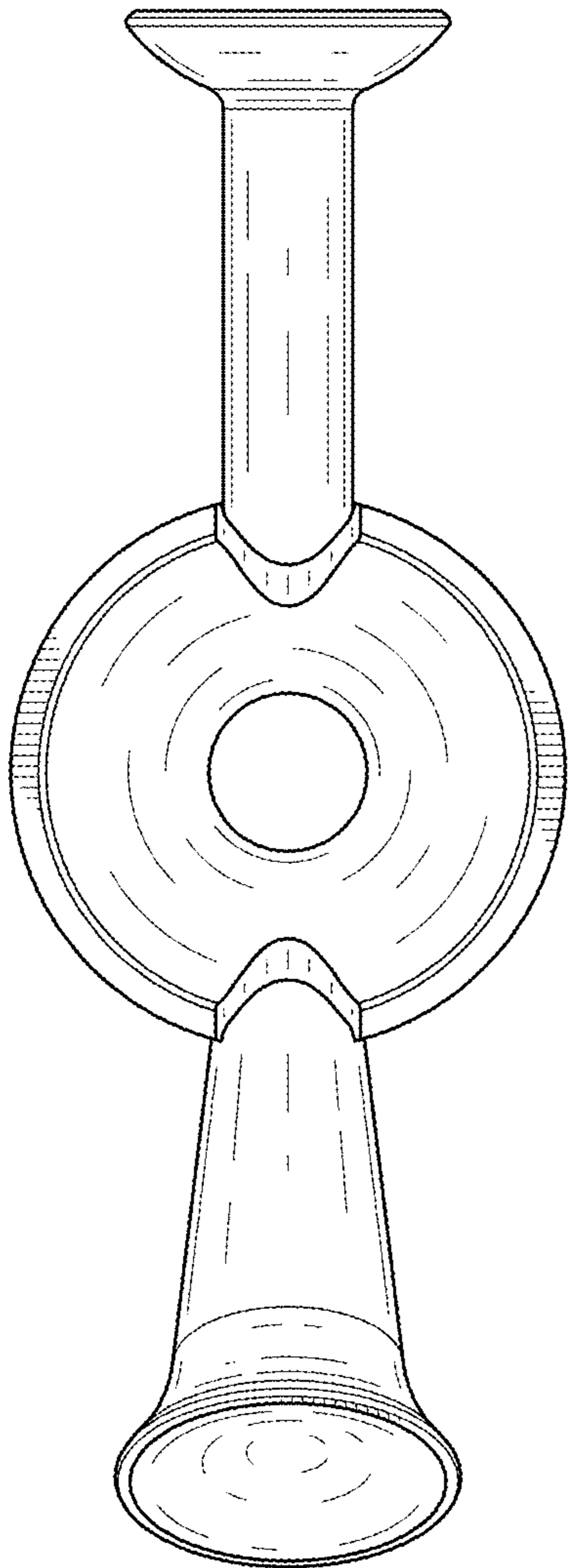


FIG. 3

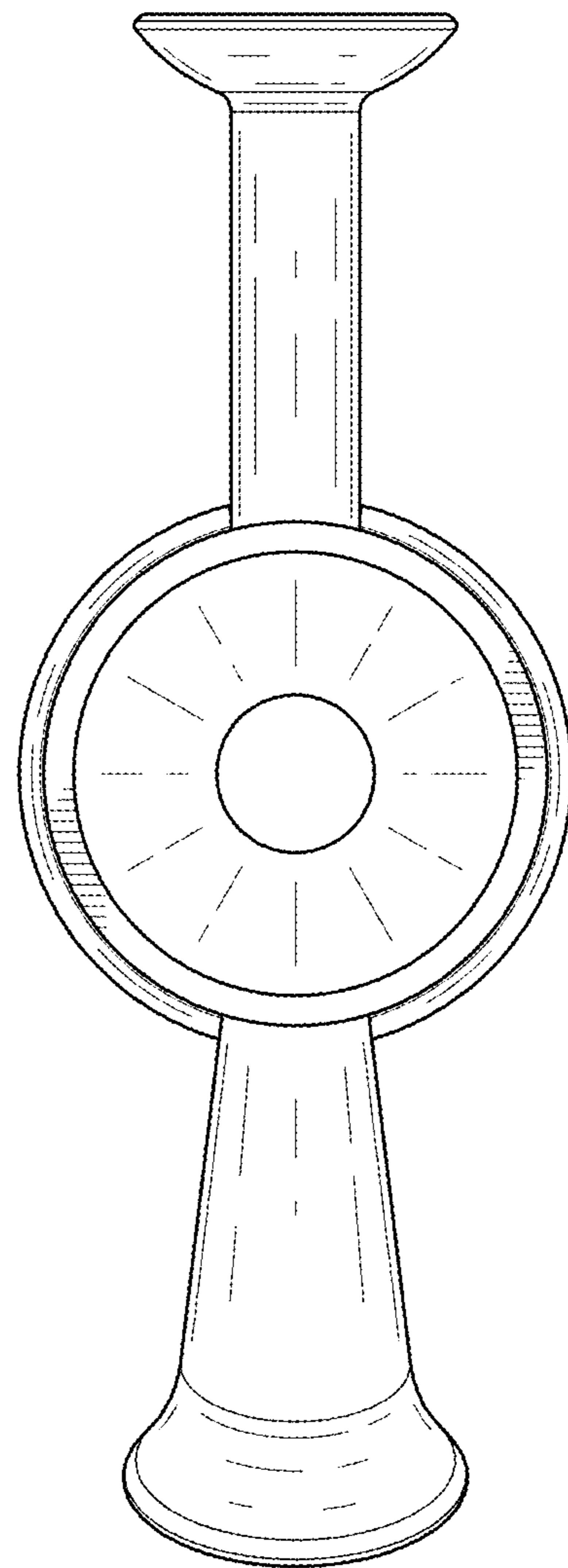


FIG. 4

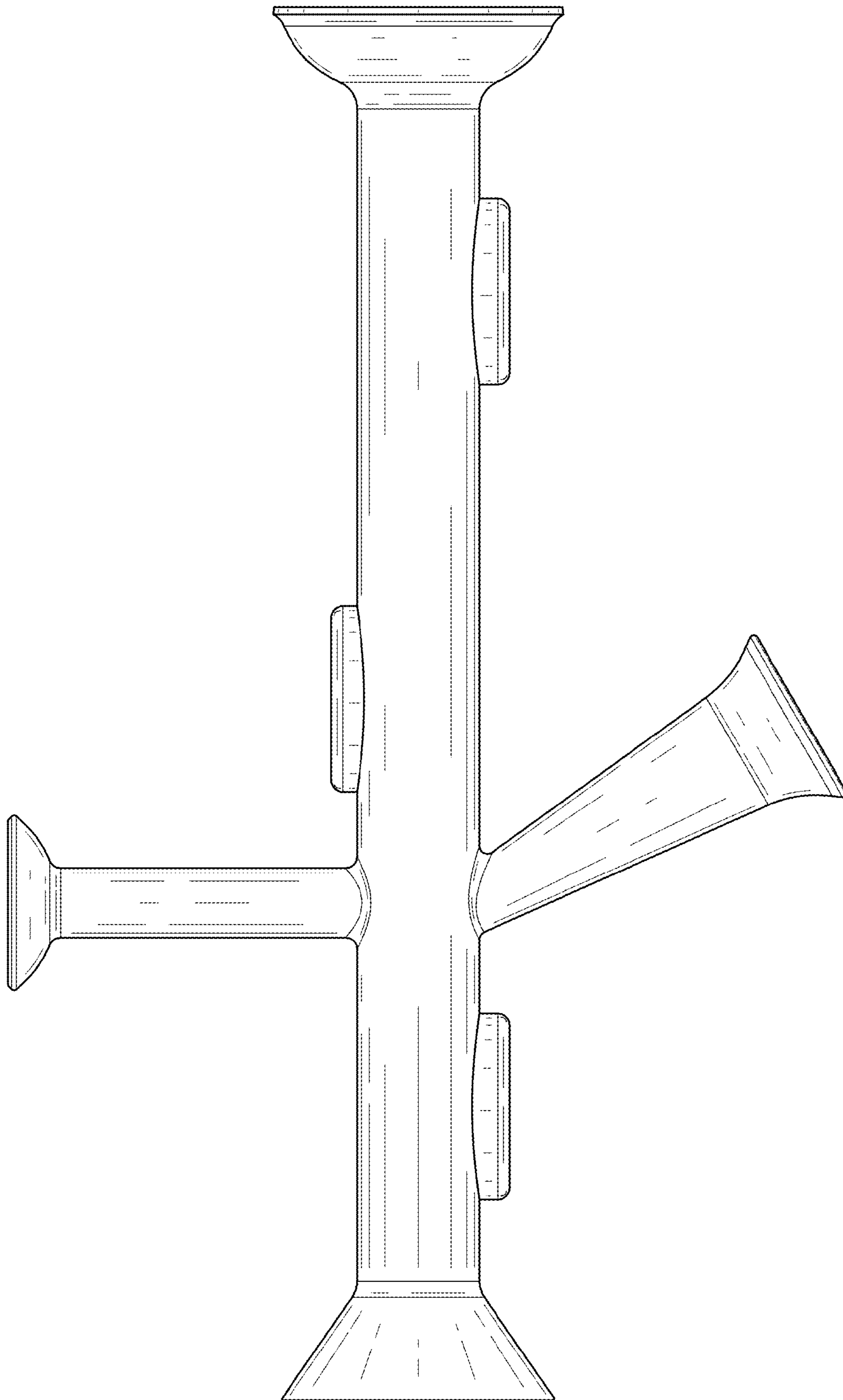


FIG. 5

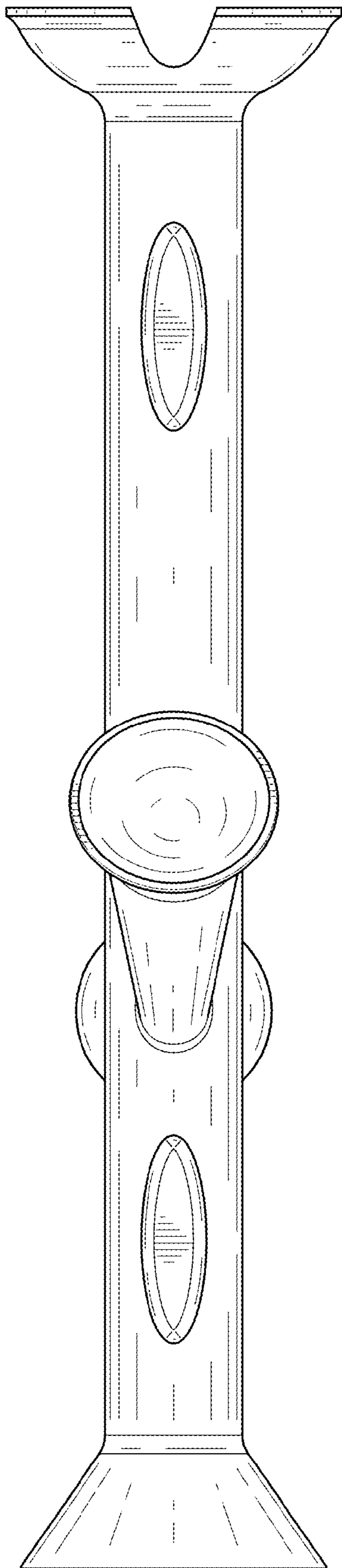


FIG. 6

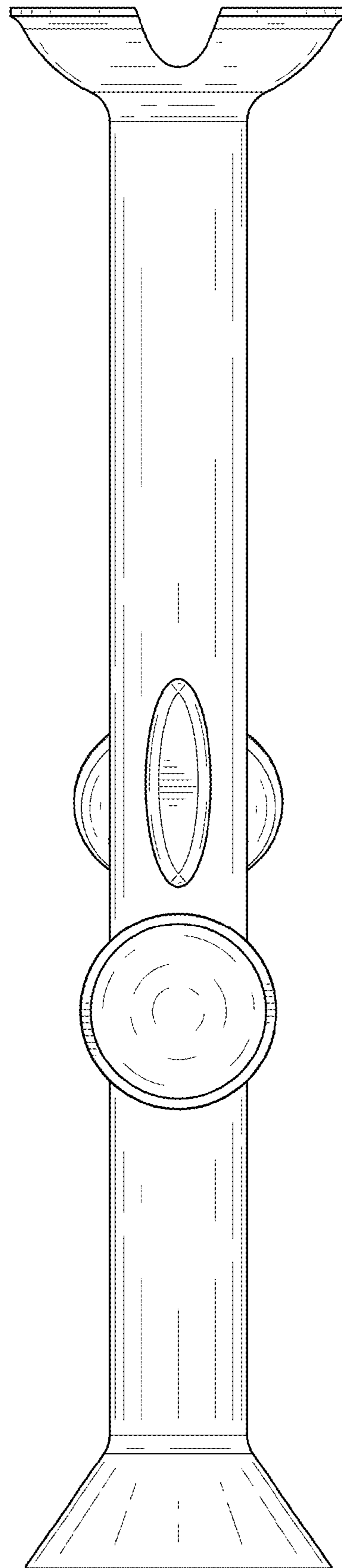


FIG. 7