



US00D898813S

(12) **United States Design Patent** (10) **Patent No.:** **US D898,813 S**
Desodt et al. (45) **Date of Patent:** **** Oct. 13, 2020**

(54) **BATTERY FOR ELECTRONIC EYEGLASSES**

(71) Applicant: **Mitsui Chemicals, Inc.**, Tokyo (JP)

(72) Inventors: **Hortense Desodt**, San Francisco, CA (US); **Thomas Overthun**, San Francisco, CA (US)

(73) Assignee: **mitsui chemicals, inc.**, Tokyo (JP)

(**) Term: **15 Years**

(21) Appl. No.: **29/619,645**

(22) Filed: **Sep. 29, 2017**

(51) **LOC (12) Cl.** **16-06**

(52) **U.S. Cl.**
USPC **D16/330**

(58) **Field of Classification Search**
USPC D16/101, 300–342, 900; D29/109–110; D21/483, 659–661; D14/372; 351/41, 351/44, 45–48, 51–52, 62, 158, 92, 351/103–123, 140–153, 63, 59; 2/13, 15, 2/426–432, 447–449, 441, 434–437
CPC G02C 2200/08; G02C 1/06; G02C 5/14; G02C 11/02; G02C 11/04; G02C 5/16; G02C 2200/22; G02C 5/146; G02C 5/2254; G02C 5/008; G01C 5/16; A61M 2021/0044

See application file for complete search history.

(56) **References Cited**

U.S. PATENT DOCUMENTS

- 6,652,093 B1 * 11/2003 Lamy G02C 11/02 351/111
- D605,218 S * 12/2009 Meng-Suen D16/309
- 7,677,722 B1 * 3/2010 Mednick A45F 5/02 351/111
- D625,352 S * 10/2010 Gonzalez D16/335
- D649,579 S * 11/2011 Thixton D16/321
- D653,699 S * 2/2012 Shin D16/320
- D662,126 S * 6/2012 Rhee D16/335

- D675,668 S * 2/2013 Johnson D16/335
- D676,898 S * 2/2013 Shin D16/335
- D689,115 S * 9/2013 Kim D16/309
- D695,333 S * 12/2013 Farnam D16/309
- D709,942 S * 7/2014 Wojtkowski D16/323
- D711,958 S * 8/2014 Yoo D16/300

(Continued)

FOREIGN PATENT DOCUMENTS

JP D1560504 S 10/2016

OTHER PUBLICATIONS

Mitsui Chemicals Gets Ready to Bring Electronic Eyewear to market, announced Oct. 5, 2017, [online], [site visited Jul. 7, 2018]. Available from Internet, <URL: <https://www.japanchemicaldaily.com/2017/10/05/mitsui-chemicals-gets-ready-to-bring-electronic-eyewear-to-market/>> (Year: 2017).*

Primary Examiner — Sanjeev Paul
(74) *Attorney, Agent, or Firm* — Sterne, Kessler, Goldstein & Fox P.L.L.C.

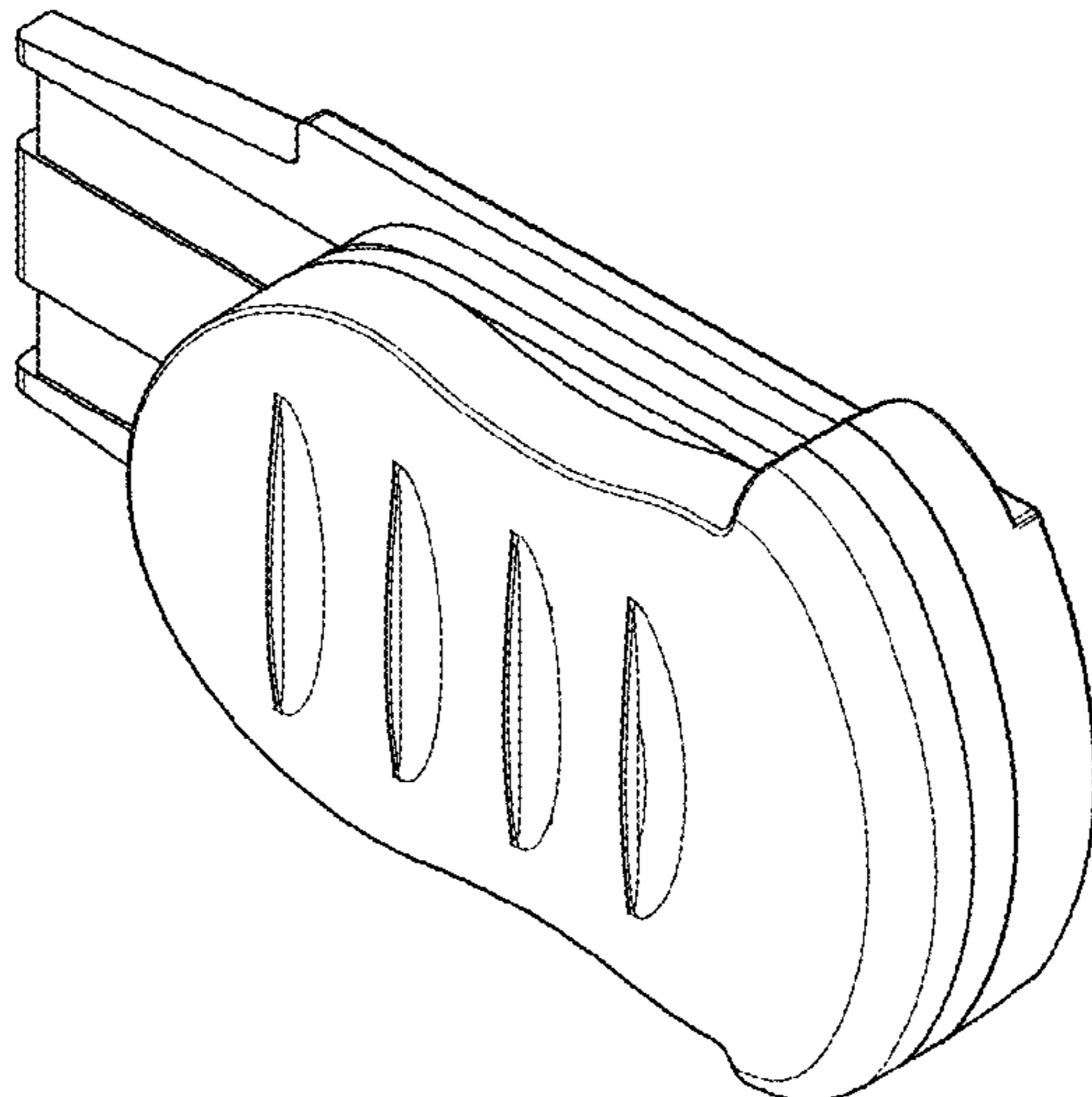
(57) **CLAIM**

The ornamental design for a battery for electronic eyeglasses, as shown and described.

DESCRIPTION

FIG. 1 is a top front perspective view of a battery for electronic eyeglasses showing the claimed design; FIG. 2 is a front view thereof; FIG. 3 is a rear view thereof; FIG. 4 is a top view thereof, the bottom view being a mirror image thereof; FIG. 5 is a right side view thereof; and, FIG. 6 is a perspective view thereof showing the battery in an environment in which it may be used. The dashed broken lines in the figures show portions of the battery and environment that form no part of the claimed design.

1 Claim, 6 Drawing Sheets



(56)

References Cited

U.S. PATENT DOCUMENTS

D712,452 S * 9/2014 Fuchs D16/335
 D714,858 S * 10/2014 Thixton D16/326
 D721,397 S * 1/2015 Feldman D16/334
 D727,396 S * 4/2015 Markovitz D16/300
 D728,008 S * 4/2015 Thixton D16/335
 D735,797 S * 8/2015 Aquino D16/309
 D741,943 S * 10/2015 Keplinger D16/315
 D746,367 S * 12/2015 Shin D16/326
 D750,699 S * 3/2016 Kennedy D16/323
 D754,244 S * 4/2016 Shin D16/335
 D763,944 S * 8/2016 Shin D16/326
 D763,949 S * 8/2016 Shin D16/335
 D765,765 S * 9/2016 Clegg D16/323
 9,442,305 B2 * 9/2016 Blum G02C 7/083
 D769,963 S * 10/2016 Shin D16/335
 D771,739 S * 11/2016 Shin D16/326
 D783,707 S * 4/2017 Uhm D16/335
 9,632,328 B2 * 4/2017 Kavana G02C 11/00
 D785,700 S * 5/2017 Thixton D16/335
 D786,336 S * 5/2017 Dandachli D16/335
 D787,582 S * 5/2017 Desodt D16/335
 D799,586 S * 10/2017 Thixton D16/335
 D801,425 S * 10/2017 Uhm D16/335
 D804,564 S * 12/2017 Fuchs D16/321
 D809,056 S * 1/2018 Flake D16/330
 D810,815 S * 2/2018 Yoo D16/335
 D812,129 S * 3/2018 Pinkney D16/334
 D815,185 S * 4/2018 Owens D16/315

9,964,779 B2 * 5/2018 Poole G02C 7/10
 9,983,417 B1 * 5/2018 Huang G02C 5/2209
 D819,724 S * 6/2018 Stables D16/326
 D819,725 S * 6/2018 Stables D16/326
 D820,347 S * 6/2018 Chae D16/335
 D821,486 S * 6/2018 Garfias D16/321
 D821,487 S * 6/2018 Thixton D16/321
 D824,992 S * 8/2018 Hino D16/338
 D839,340 S * 1/2019 Zargari D16/338
 D860,304 S * 9/2019 Kan D16/335
 2008/0284974 A1 * 11/2008 Siu G02C 5/146
 351/52
 2011/0242479 A1 * 10/2011 Radmard G02C 5/2209
 351/116
 2012/0218505 A1 * 8/2012 Bertelli G02C 11/02
 351/114
 2013/0100396 A1 * 4/2013 Liebers G02C 11/02
 351/52
 2013/0208229 A1 * 8/2013 Polegato Moretti A61F 9/028
 351/62
 2014/0036221 A1 * 2/2014 Kheang G02C 11/02
 351/116
 2015/0055079 A1 * 2/2015 Holzer G02C 5/001
 351/86
 2015/0116651 A1 * 4/2015 Darcy G02C 11/02
 351/52
 2015/0346518 A1 * 12/2015 Levy G02C 11/02
 351/52
 2017/0205640 A1 * 7/2017 Lucero G02C 11/10

* cited by examiner

FIG. 1

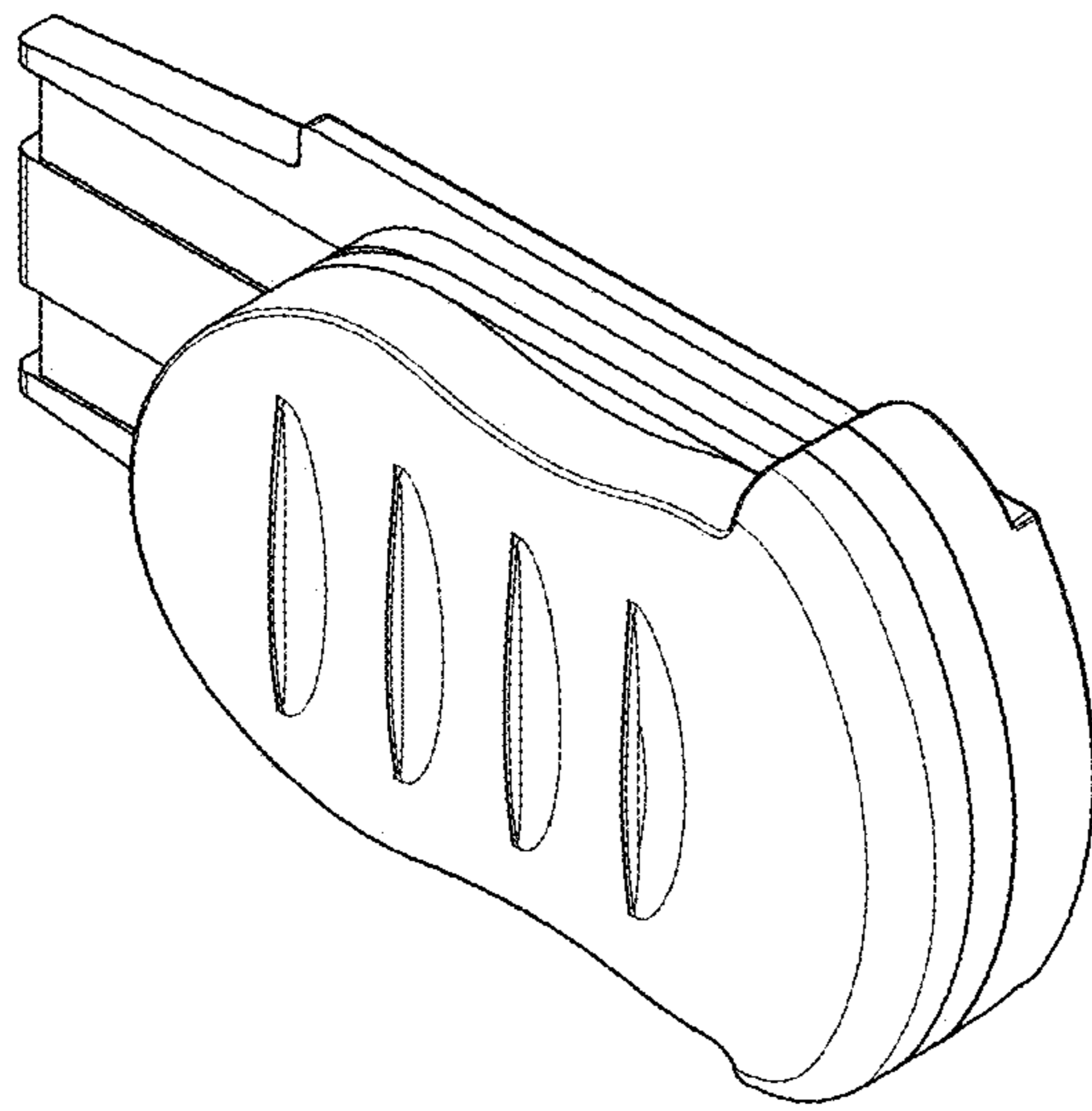


FIG. 2

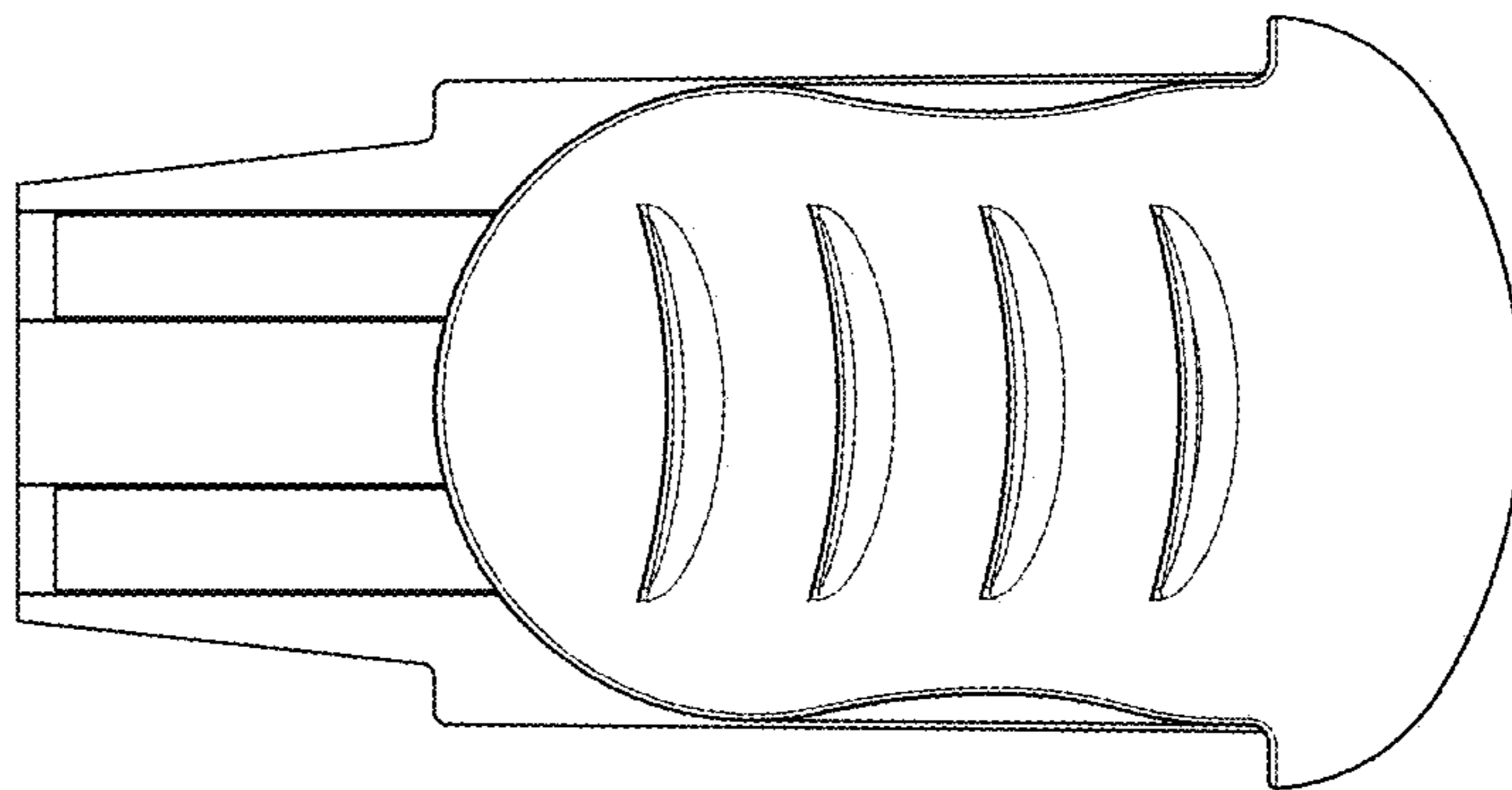


FIG. 3

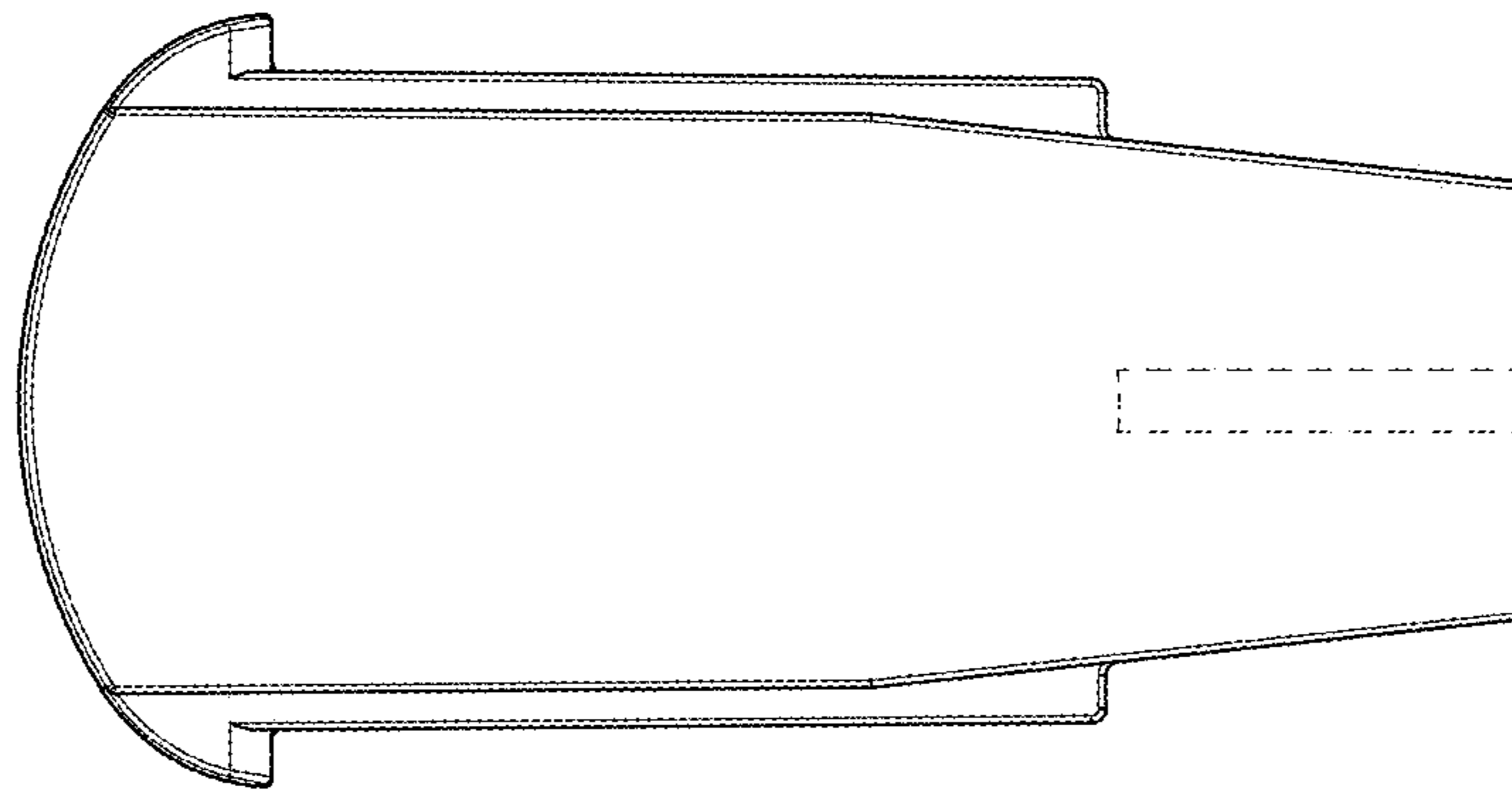


FIG. 4

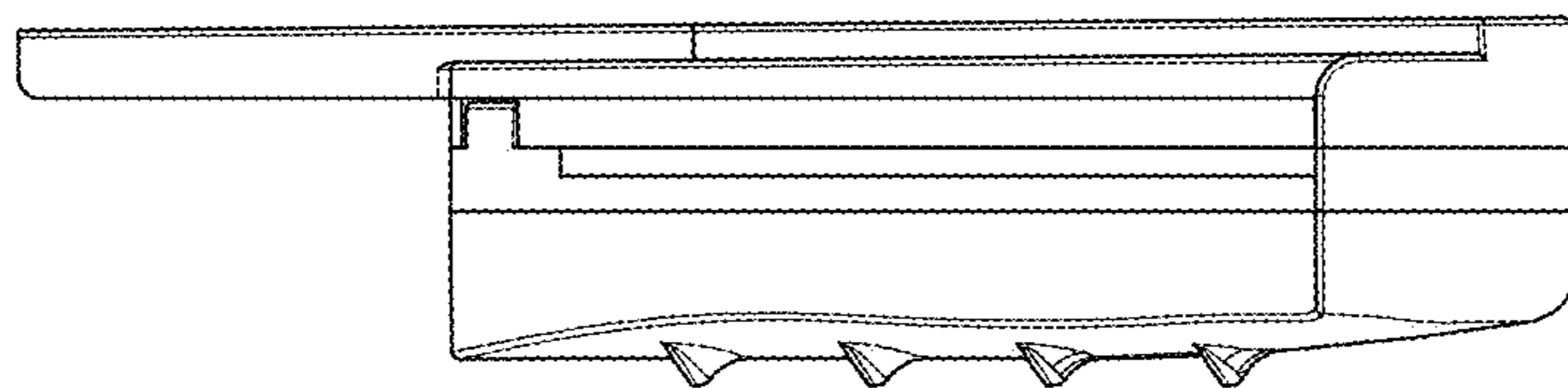


FIG. 5

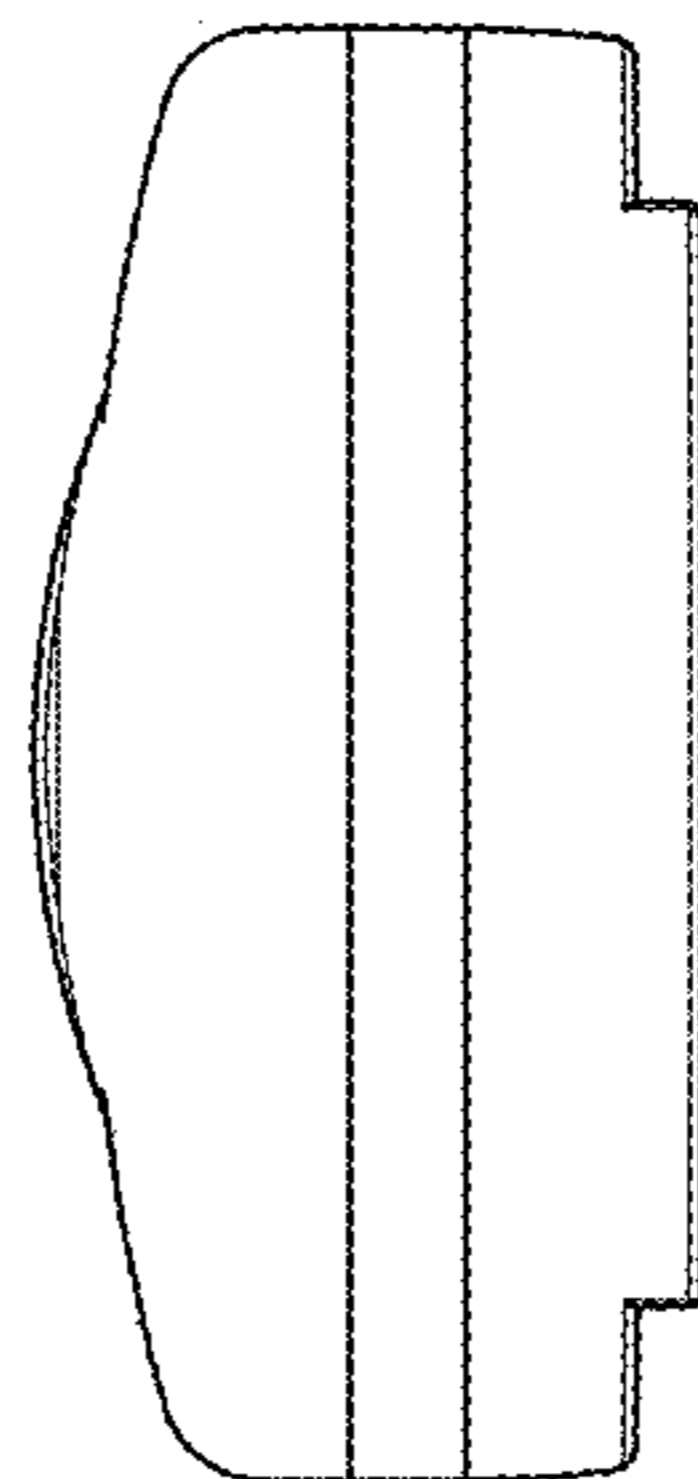


FIG. 6

