



US00D898812S

(12) **United States Design Patent**
Liang

(10) **Patent No.:** **US D898,812 S**

(45) **Date of Patent:** **** Oct. 13, 2020**

- (54) **GOGGLE**
- (71) Applicant: **Guangzhou Jubao Sports Co., Ltd.**,
Guangzhou (CN)
- (72) Inventor: **Chuanqing Liang**, Guangzhou (CN)
- (**) Term: **15 Years**
- (21) Appl. No.: **29/674,180**
- (22) Filed: **Dec. 20, 2018**
- (51) **LOC (12) Cl.** **16-06**
- (52) **U.S. Cl.**
USPC **D16/312**
- (58) **Field of Classification Search**
USPC 348/115, 53, 121, 739; 345/7-9, 905;
351/158, 153, 144; D14/125, 126, 129,
D14/299, 372, 496, 432; D16/101, 300,
D16/303-304, 309-315, 317-323,
D16/325-340; D29/108, 109, 110, 112
CPC G02C 2200/08; G02C 2200/22;
G02C 5/008; G02C 5/14; G02C 5/16;
G02C 5/146; G02C 5/2254; G02C 1/06;
G02C 11/02; G02C 11/04; A61M
2021/0044; B63C 11/12; A63B 2033/004;
A63B 2033/006; A63B 2033/008; A63B
33/00; A63B 33/002; A61F 9/00; A61F
9/02

See application file for complete search history.

(56) **References Cited**

U.S. PATENT DOCUMENTS

- D224,483 S * 8/1972 Crestin-Billet D16/312
- D273,819 S * 5/1984 Yehl D16/312
- D327,490 S * 6/1992 Wilson D16/312
- D352,726 S * 11/1994 Bolle D16/312
- D407,735 S * 4/1999 Arnette D16/312
- D428,039 S * 7/2000 Thixton D16/312
- D428,906 S * 8/2000 Bolle D16/312
- D439,596 S * 3/2001 Bolle D16/312
- D508,939 S * 8/2005 Hussey D16/312

- D509,236 S * 9/2005 Sheldon D16/306
- D510,378 S * 10/2005 Dondero D16/312
- D541,328 S * 4/2007 Saderholm D16/312
- D542,326 S * 5/2007 Chiang D16/311
- D542,327 S * 5/2007 Hsu D16/312
- D544,900 S * 6/2007 Li D16/312
- D556,811 S * 12/2007 Bruck D16/312
- D556,812 S * 12/2007 Wang-Lee D16/312
- D577,054 S * 9/2008 Moritz D16/312
- D578,562 S * 10/2008 Moritz D16/312
- D595,331 S * 6/2009 Mentasti D16/312
- D595,332 S * 6/2009 Yang D16/312
- D616,483 S * 5/2010 Moritz D16/312
- D616,914 S * 6/2010 Moritz D16/312
- D616,915 S * 6/2010 Silveria D16/312
- D620,969 S * 8/2010 Cyr D16/312

(Continued)

FOREIGN PATENT DOCUMENTS

- CN 305292226 * 8/2019
- WO 2012106057 * 8/2012

Primary Examiner — Sanjeev Paul

(74) *Attorney, Agent, or Firm* — KA Filing LLC; Cynthia Flanigan; Wayne Harper

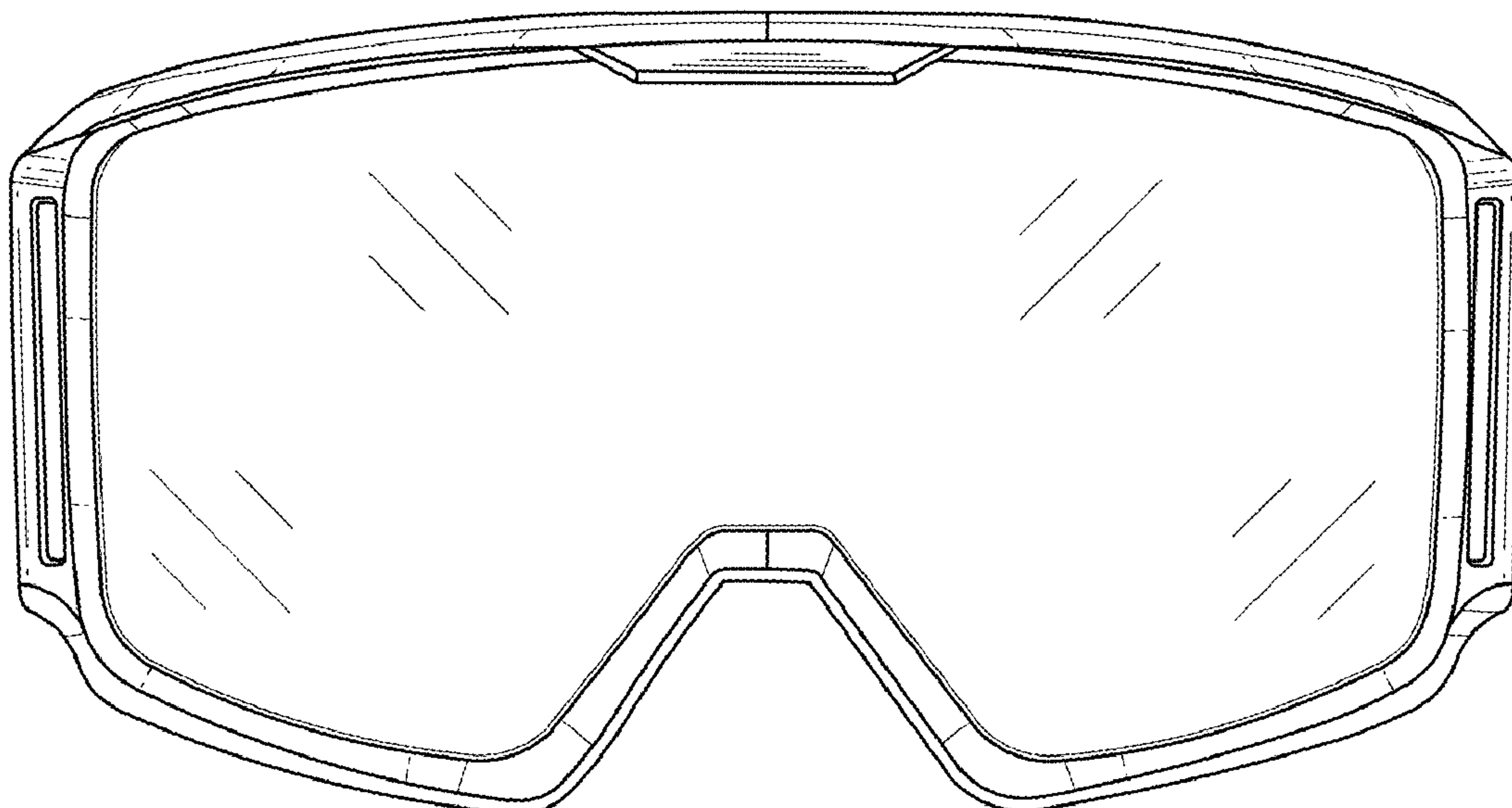
(57) **CLAIM**

I claim the ornamental design for a goggle, as shown and described.

DESCRIPTION

FIG. 1 is a perspective view of a goggle showing my new design;
 FIG. 2 is a front view of the goggle as shown in FIG. 1;
 FIG. 3 is a back view of the goggle as shown in FIG. 1;
 FIG. 4 is a left view of the goggle as shown in FIG. 1 with the right side being a mirror image;
 FIG. 5 is a top view of the goggle as shown in FIG. 1; and,
 FIG. 6 is a bottom side view of the goggle as shown in FIG. 1.

1 Claim, 6 Drawing Sheets



(56)

References Cited

U.S. PATENT DOCUMENTS

D626,166 S * 10/2010 Yang D16/312
 D626,987 S * 11/2010 Yang D16/312
 D629,442 S * 12/2010 Tominaga D16/312
 D633,937 S * 3/2011 Yasuhara D16/312
 D640,724 S * 6/2011 Goodman D16/312
 D649,178 S * 11/2011 Moritz D16/312
 D649,577 S * 11/2011 Goodman D16/312
 D678,932 S * 3/2013 Moritz D16/312
 D687,479 S * 8/2013 Moritz D16/312
 D687,881 S * 8/2013 Ginther D16/312
 D694,806 S * 12/2013 Mage D16/312
 D695,335 S * 12/2013 Goodman D16/312
 D704,249 S * 5/2014 Orzeck D16/309
 D723,094 S * 2/2015 Chen D16/312
 D727,398 S * 4/2015 Blanchard D16/312
 D729,303 S * 5/2015 Laperriere D16/326
 D736,303 S * 8/2015 Yu D16/309
 D747,758 S * 1/2016 Lee D16/312
 D748,716 S * 2/2016 Yang D16/312
 D748,717 S * 2/2016 Yang D16/312
 D756,445 S * 5/2016 Blanchard D16/312
 D760,831 S * 7/2016 Emilo D16/312
 D761,344 S * 7/2016 Chen D16/312
 D765,758 S * 9/2016 Li D16/312
 D765,759 S * 9/2016 Li D16/312
 D769,350 S * 10/2016 Orzeck D16/312
 D774,588 S * 12/2016 Li D16/312

D777,826 S * 1/2017 Shin D16/312
 D784,441 S * 4/2017 Garfias D16/312
 D800,825 S * 10/2017 Frosi D16/313
 D805,576 S * 12/2017 Garfias D16/312
 D818,031 S * 5/2018 Garfias D16/314
 D821,485 S * 6/2018 Yoo D16/313
 D828,866 S * 9/2018 Yoo D16/313
 D829,810 S * 10/2018 Nellestam D16/313
 D834,087 S * 11/2018 Yoo D16/313
 D837,873 S * 1/2019 Lussier D16/330
 D847,248 S * 4/2019 Liang D16/313
 D858,622 S * 9/2019 Xin D16/312
 D862,570 S * 10/2019 Frosi D16/313
 D863,414 S * 10/2019 Schwabe D16/312
 D864,285 S * 10/2019 Liang D16/313
 D868,878 S * 12/2019 Langenwalter D16/312
 D869,547 S * 12/2019 Xin D16/312
 D872,168 S * 1/2020 Zhang D16/312
 D872,169 S * 1/2020 Yong D16/312
 D880,573 S * 4/2020 Liang D16/312
 D880,574 S * 4/2020 Liang D16/312
 2014/0157496 A1 * 6/2014 Ginther A61F 9/029
 2/439
 2014/0182754 A1 * 7/2014 Young A45C 11/00
 150/154
 2018/0042773 A1 * 2/2018 Boinnard A61F 9/025
 2018/0136484 A1 * 5/2018 Prugue G02C 1/06
 2018/0373064 A1 * 12/2018 Chen A61F 9/02
 2019/0227347 A1 * 7/2019 Jimenez G02F 1/155

* cited by examiner

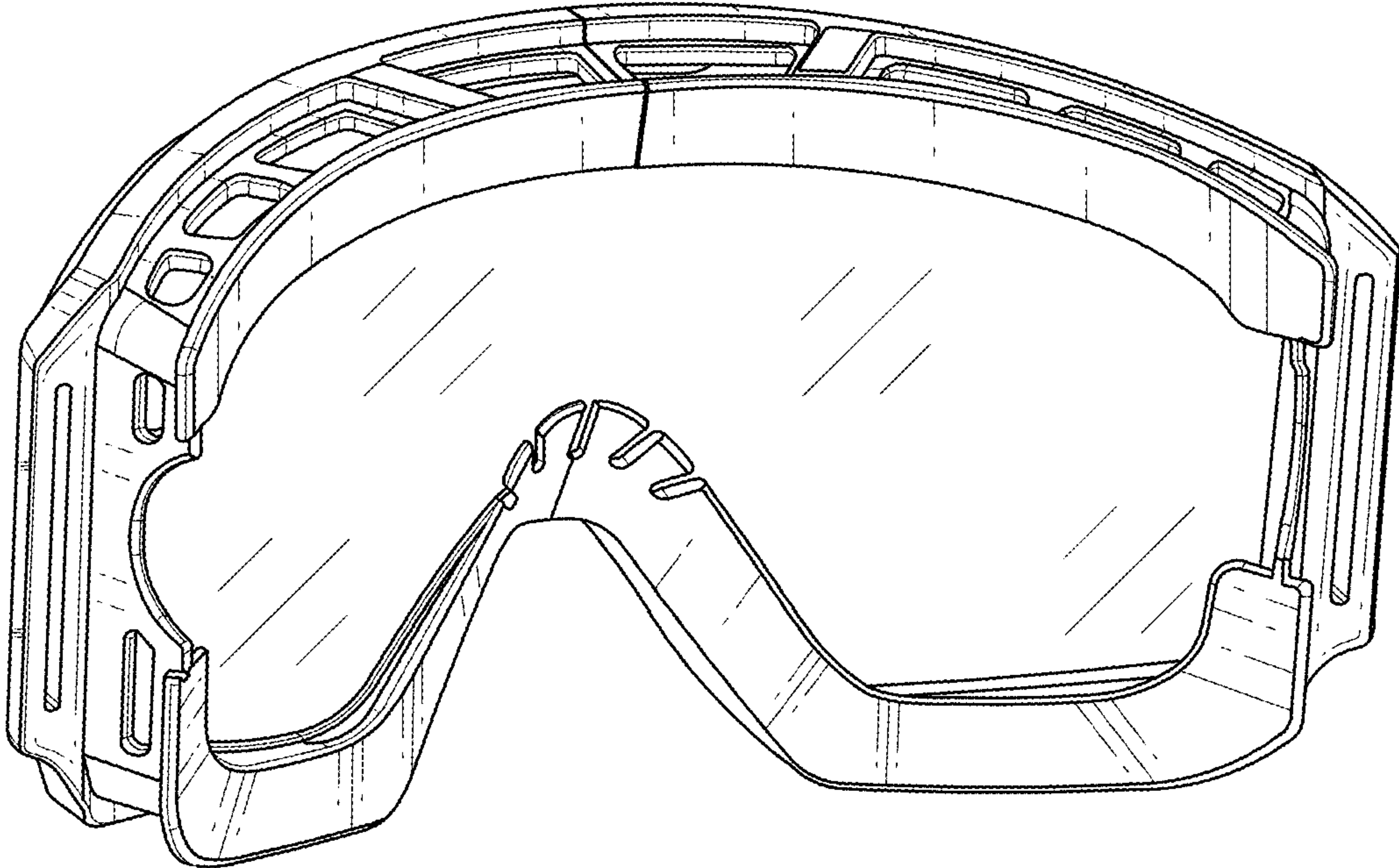


FIG. 1

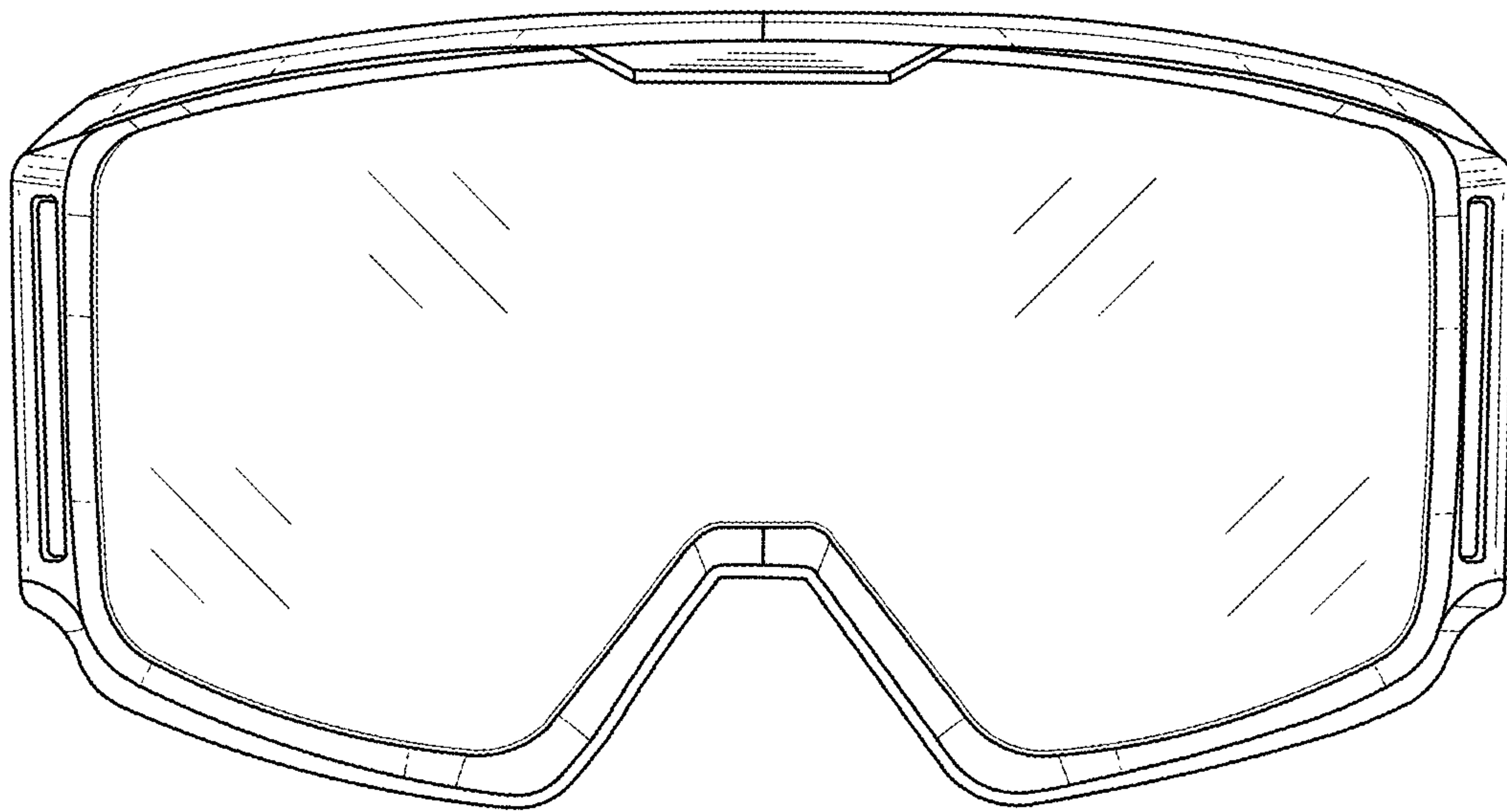


FIG. 2

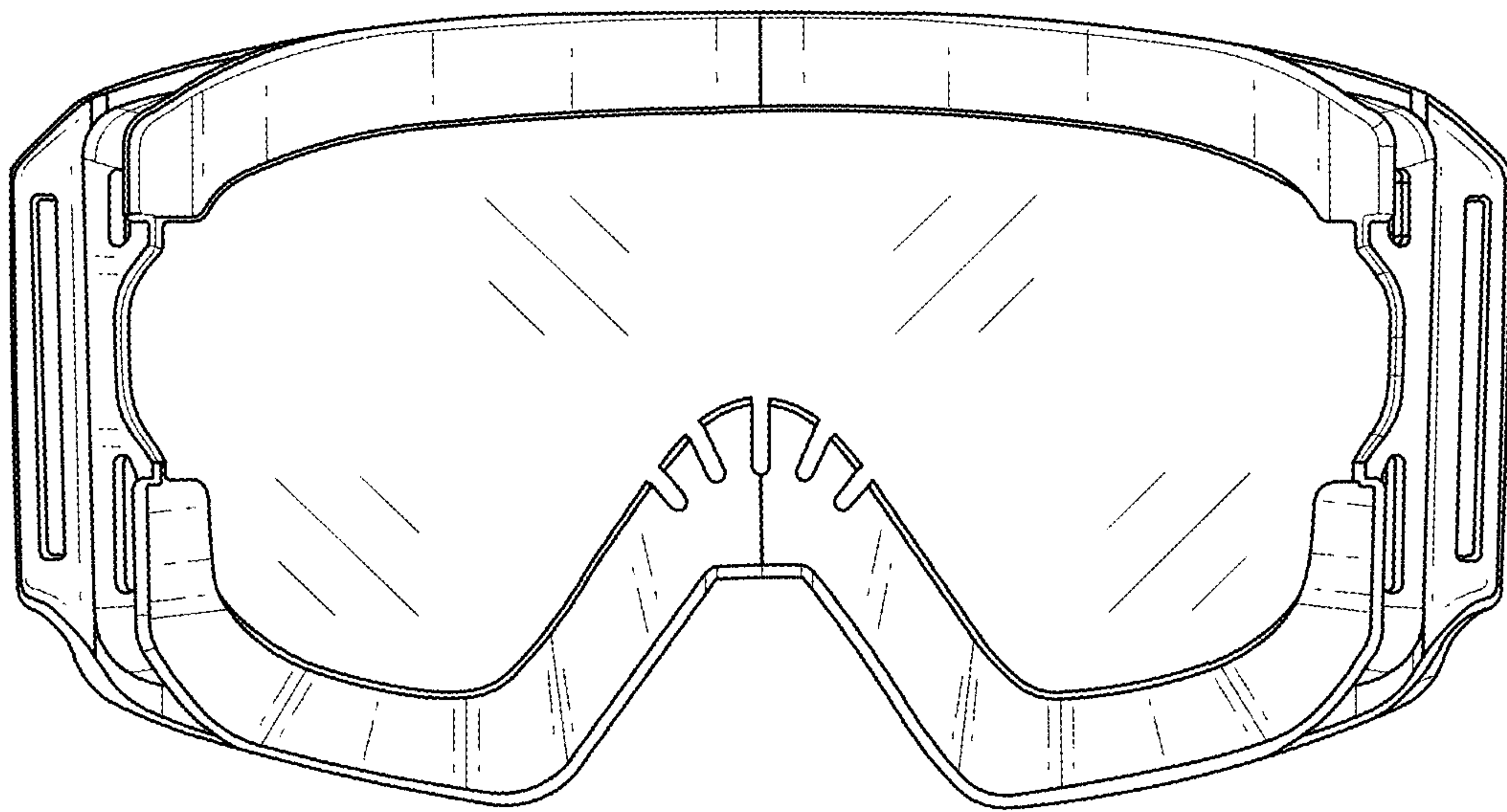


FIG. 3

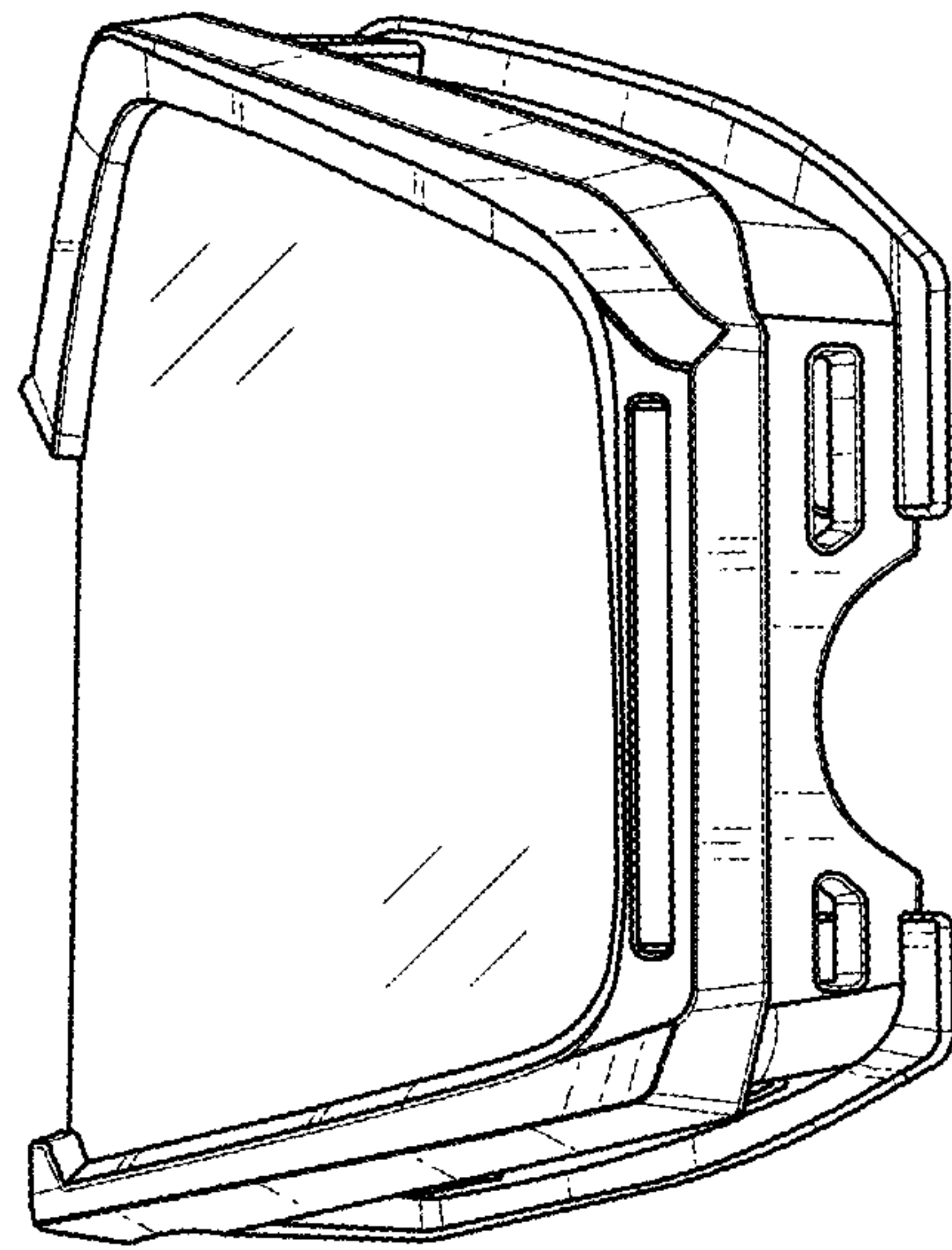


FIG. 4

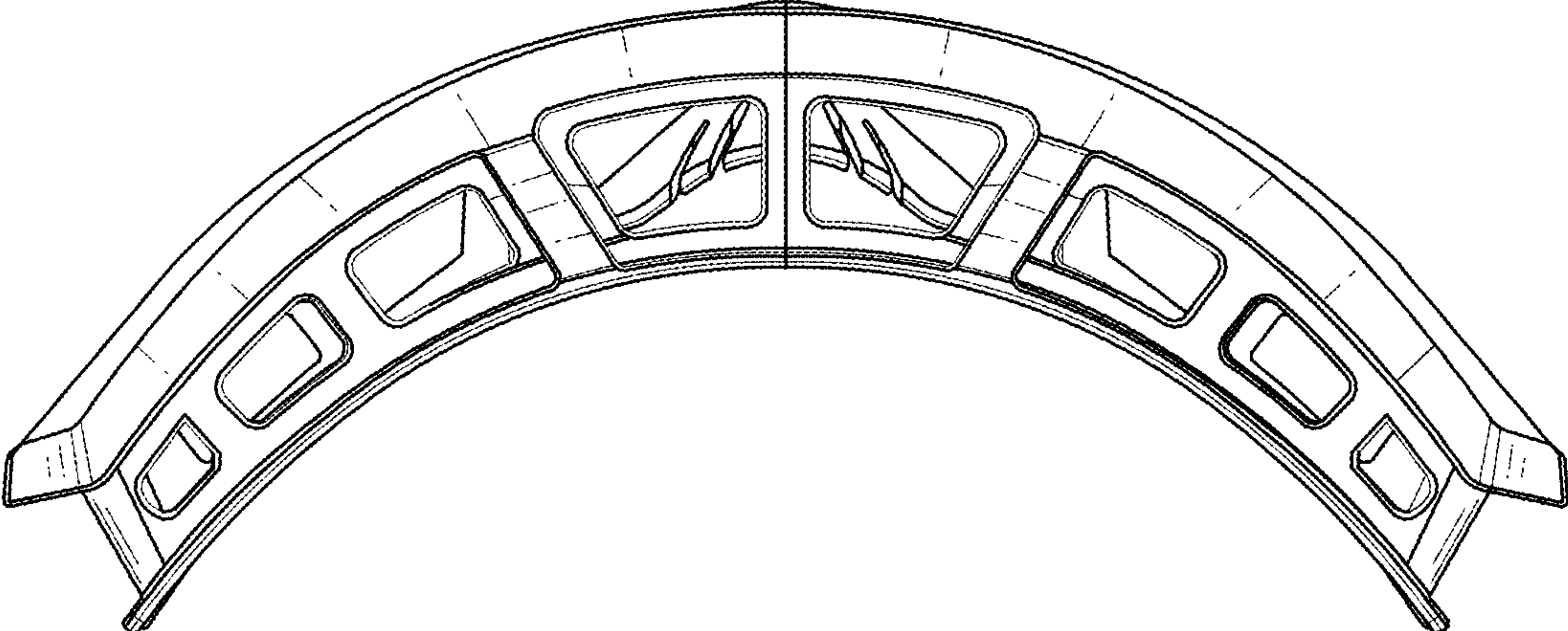


FIG. 5

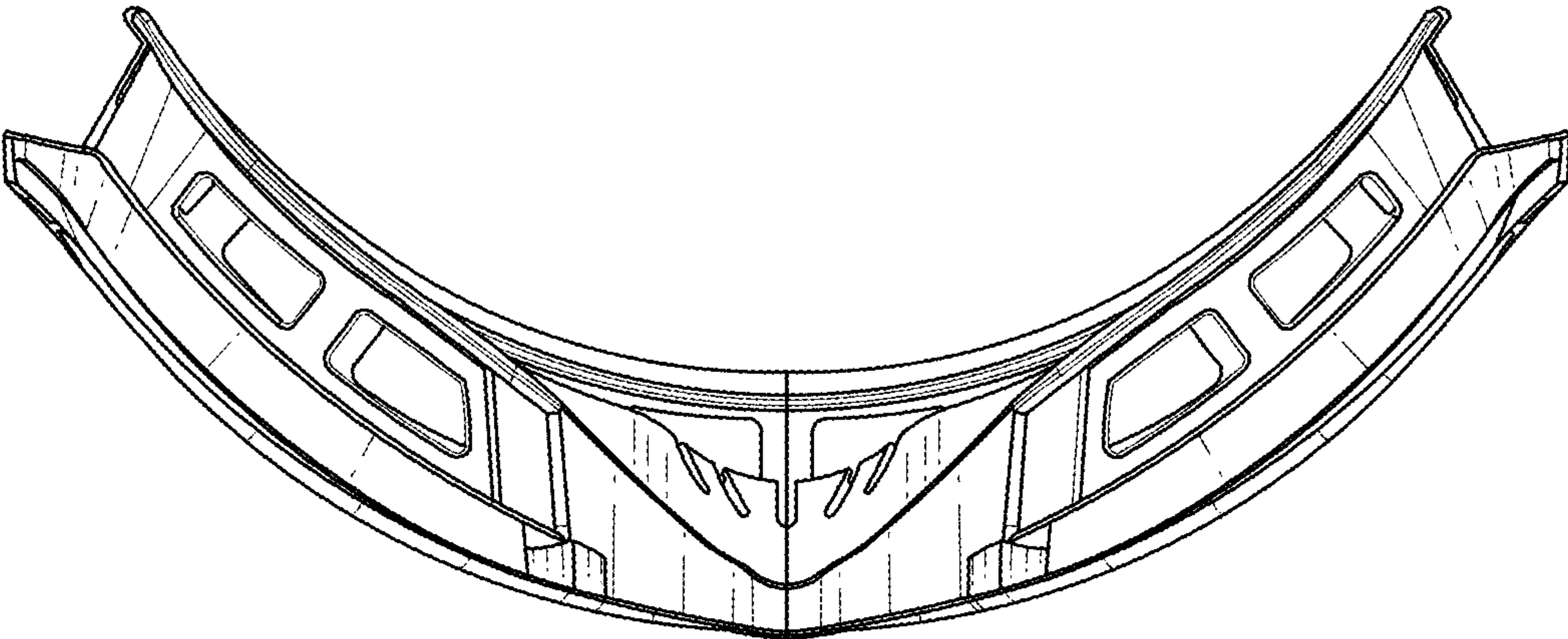


FIG. 6