



US00D898810S

(12) **United States Design Patent**  
**Liu et al.**

(10) **Patent No.:** **US D898,810 S**  
(45) **Date of Patent:** **\*\* Oct. 13, 2020**

(54) **GLASSES WITH BONE CONDUCTION  
EARPHONES**

**DESCRIPTION**

(71) Applicant: **SHENZHEN VOXTECH CO., LTD.**,  
Shenzhen, Guangdong (CN)

(72) Inventors: **Yinchao Liu**, Shenzhen (CN); **Haofeng  
Zhang**, Shenzhen (CN); **Qian Chen**,  
Shenzhen (CN); **Lei Zhong**, Shenzhen  
(CN); **Mengjie Li**, Shenzhen (CN)

(73) Assignee: **SHENZHEN VOXTECH CO., LTD.**,  
Shenzhen (CN)

(\*\*) Term: **15 Years**

(21) Appl. No.: **29/655,806**

(22) Filed: **Jul. 6, 2018**

(30) **Foreign Application Priority Data**

Jan. 8, 2018 (CN) ..... 2018 3 0007307

(51) **LOC (12) Cl.** ..... **16-06**

(52) **U.S. Cl.**  
USPC ..... **D16/309**

(58) **Field of Classification Search**

USPC ..... D16/101, 300-342; D14/372;  
D29/109-110; 351/41, 42, 44, 45-46,  
(Continued)

(56) **References Cited**

**U.S. PATENT DOCUMENTS**

D201,050 S \* 5/1965 Giesecking et al. .... D16/309  
D212,863 S \* 12/1968 Roberts ..... D14/192  
(Continued)

*Primary Examiner* — Sanjeev Paul

(74) *Attorney, Agent, or Firm* — Metis IP LLC

(57) **CLAIM**

The ornamental design for a pair of glasses with bone  
conduction earphones, as shown and described.

FIG. 1 is a perspective view of a pair of glasses with bone  
conduction earphones showing our new design, in an  
unfolded configuration, under a first embodiment;  
FIG. 2 is another perspective view of the pair of glasses with  
bone conduction earphones, in the unfolded configuration,  
under the first embodiment;  
FIG. 3 is a front view thereof;  
FIG. 4 is a rear view thereof;  
FIG. 5 is a left view thereof;  
FIG. 6 is a right view thereof;  
FIG. 7 is a top view thereof;  
FIG. 8 is a bottom view thereof;  
FIG. 9 is a perspective view of a pair of glasses with bone  
conduction earphones showing our new design, in a folded  
configuration, under the first embodiment;  
FIG. 10 is another perspective view of the pair of glasses  
with bone conduction earphones, in the folded configuration,  
under the first embodiment;  
FIG. 11 is a front view thereof;  
FIG. 12 is a rear view thereof;  
FIG. 13 is a left view thereof;  
FIG. 14 is a right view thereof;  
FIG. 15 is a top view thereof; and  
FIG. 16 is a bottom view thereof.  
FIG. 17 is a perspective view of a pair of glasses with bone  
conduction earphones showing our new design, in an  
unfolded configuration, under a second embodiment;  
FIG. 18 is another perspective view of the pair of glasses  
with bone conduction earphones, in the unfolded configu-  
ration, under the second embodiment;  
FIG. 19 is a front view thereof;  
FIG. 20 is a rear view thereof;  
FIG. 21 is a left view thereof;  
FIG. 22 is a right view thereof;  
FIG. 23 is a top view thereof;  
FIG. 24 is a bottom view thereof.  
FIG. 25 is a perspective view of a pair of glasses with bone  
conduction earphones showing our new design, in a folded  
configuration, under the second embodiment;  
FIG. 26 is another perspective view of the pair of glasses  
with bone conduction earphones, in the folded configuration,  
under the second embodiment;

(Continued)

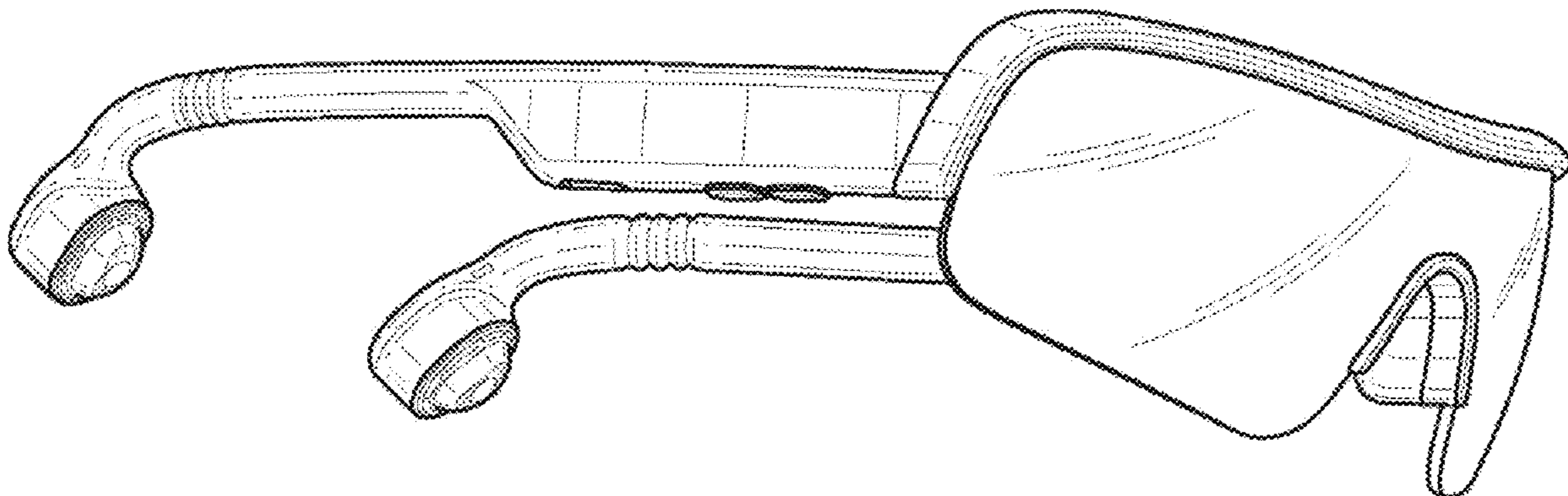


FIG. 27 is a front view thereof;  
 FIG. 28 is a rear view thereof;  
 FIG. 29 is a left view thereof;  
 FIG. 30 is a right view thereof;  
 FIG. 31 is a top view thereof; and,  
 FIG. 32 is a bottom view thereof.  
 The shade lines in the figures show contour and not surface ornamentation.

**1 Claim, 32 Drawing Sheets**

(58) **Field of Classification Search**

USPC .. 351/48-49, 59, 61, 63, 66, 67, 69, 71, 72,  
 351/76, 77, 78, 83, 87, 88, 93, 94,  
 351/99-104, 110-113, 124-126, 130-132,  
 351/136-137, 140-153; 2/13, 15,  
 2/426-432, 447-449, 441, 434-437  
 CPC . G02C 5/16; G02C 5/14; G02C 5/146; G02C  
 5/2254; G02C 5/008; G02C 2200/08;  
 G02C 1/06; G02C 11/02; G02C 11/04;  
 G02C 2200/22; A61M 2021/0044; A63B  
 33/002

See application file for complete search history.

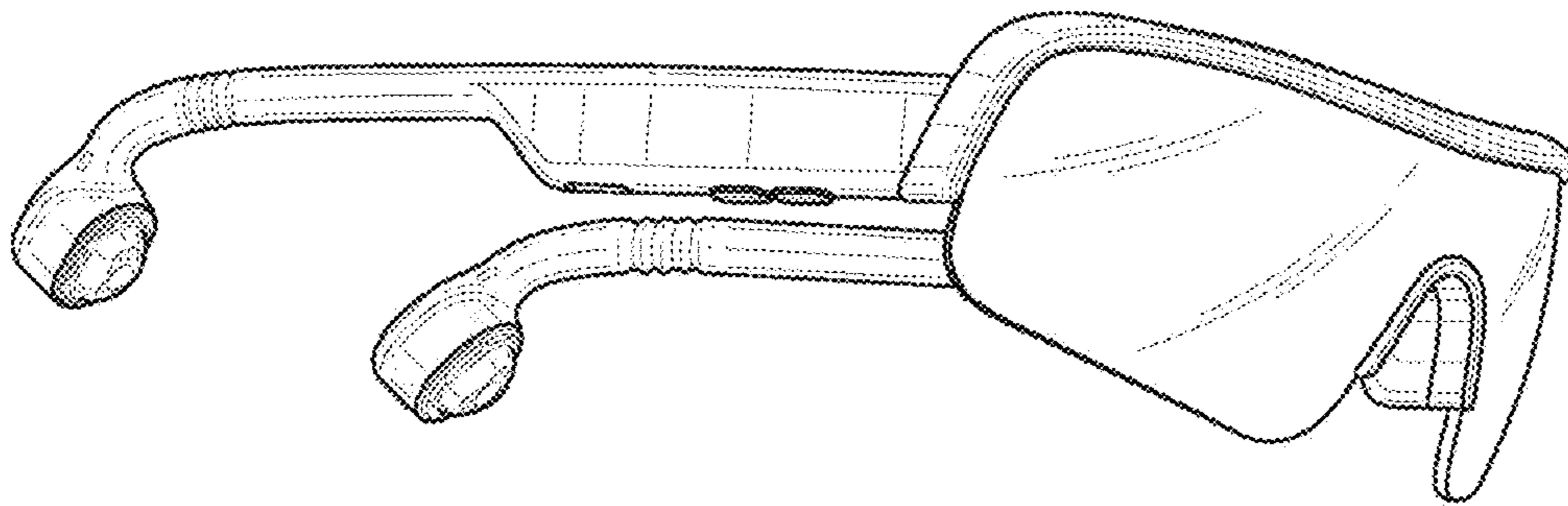
(56) **References Cited**

U.S. PATENT DOCUMENTS

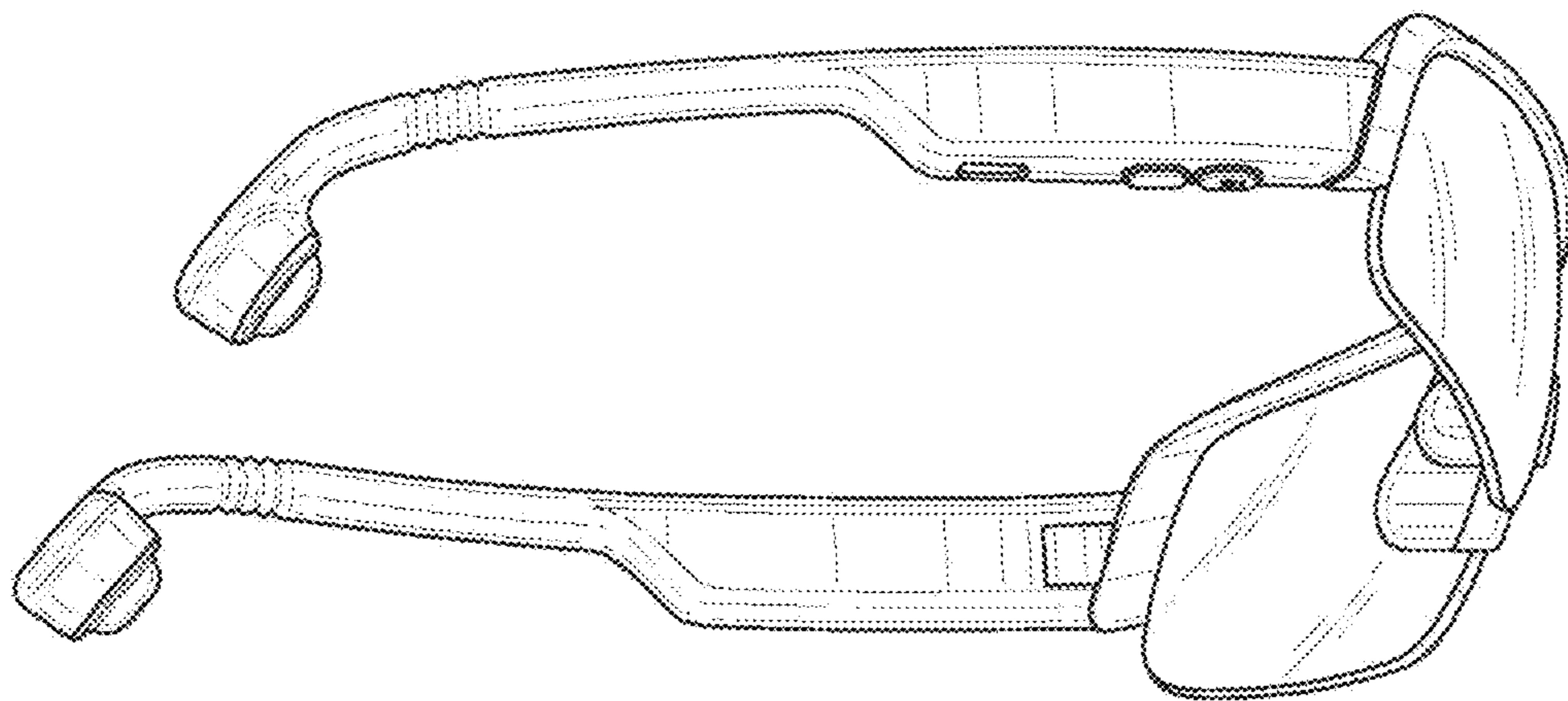
D342,080 S \* 12/1993 Cargle ..... D16/309  
 D352,300 S \* 11/1994 Gales ..... D14/205  
 5,579,400 A \* 11/1996 Ballein ..... G02C 11/06  
 381/370  
 5,608,808 A \* 3/1997 da Silva ..... G02C 11/10  
 351/123  
 D383,148 S \* 9/1997 Wang Lee ..... D16/314  
 5,892,564 A \* 4/1999 Rahn ..... G02C 11/10  
 351/158  
 6,010,216 A \* 1/2000 Jesiek ..... H04B 1/385  
 351/158  
 D435,058 S \* 12/2000 Green ..... D16/309  
 6,421,031 B1 \* 7/2002 Ronzani ..... G02B 27/017  
 345/8  
 D462,708 S \* 9/2002 Miller ..... D16/309  
 6,690,807 B1 \* 2/2004 Meyer ..... G02C 5/143  
 2/12  
 D514,613 S \* 2/2006 Jannard ..... D16/309  
 D545,345 S \* 6/2007 Moritz ..... D16/309  
 D546,866 S \* 7/2007 Yang ..... D16/304  
 D548,767 S \* 8/2007 Jannard ..... D16/309  
 D553,173 S \* 10/2007 Baden ..... D16/309  
 D553,177 S \* 10/2007 Chen ..... D16/309  
 D561,816 S \* 2/2008 Jannard ..... D16/330  
 D565,082 S \* 3/2008 McClure ..... D16/309  
 D602,064 S \* 10/2009 Mitsui ..... D14/126  
 D611,980 S \* 3/2010 Chen ..... D16/309  
 D628,616 S \* 12/2010 Yuan ..... D16/306  
 D638,462 S \* 5/2011 Bumgardner ..... D16/300  
 D639,332 S \* 6/2011 Basler ..... D16/300  
 D640,256 S \* 6/2011 So ..... D14/372  
 D645,492 S \* 9/2011 Zhao ..... D16/309

D645,493 S \* 9/2011 Zhao ..... D16/309  
 D646,316 S \* 10/2011 Zhao ..... D16/309  
 D669,471 S \* 10/2012 Hwang ..... D14/372  
 D685,019 S \* 6/2013 Li ..... D16/309  
 D688,294 S \* 8/2013 Roy ..... D16/309  
 8,545,013 B2 \* 10/2013 Hwang ..... G02B 27/0176  
 351/158  
 D694,311 S \* 11/2013 Cho ..... D16/309  
 D694,805 S \* 12/2013 Cheng ..... D16/309  
 D701,557 S \* 3/2014 Lee ..... D16/309  
 D723,093 S \* 2/2015 Li ..... D16/309  
 D726,243 S \* 4/2015 Raina ..... D16/300  
 D734,807 S \* 7/2015 Wu ..... D16/306  
 D746,818 S \* 1/2016 Cho ..... D14/372  
 D751,552 S \* 3/2016 Osterhout ..... D14/372  
 D759,015 S \* 6/2016 Mehin ..... D14/372  
 D764,568 S \* 8/2016 Yoo ..... D16/309  
 9,482,880 B1 \* 11/2016 Chandrasekhar ..... G02C 7/101  
 D774,121 S \* 12/2016 Earley ..... D16/101  
 D785,075 S \* 4/2017 Ge ..... D16/309  
 D792,400 S \* 7/2017 Osterhout ..... D14/372  
 D800,118 S \* 10/2017 Xing ..... D14/372  
 D814,552 S \* 4/2018 Cox ..... D16/309  
 D815,092 S \* 4/2018 Liao ..... D14/372  
 D820,258 S \* 6/2018 Maw ..... D14/372  
 D829,268 S \* 9/2018 Lozano ..... D16/311  
 D841,078 S \* 2/2019 Liao ..... D16/309  
 D872,170 S \* 1/2020 Evans ..... D16/325  
 2002/0021407 A1 \* 2/2002 Elliott ..... G02C 11/00  
 351/158  
 2002/0098877 A1 \* 7/2002 Glezerman ..... H04B 1/385  
 455/575.5  
 2003/0068057 A1 \* 4/2003 Miller ..... H04B 1/385  
 381/334  
 2006/0158608 A1 \* 7/2006 Lin ..... G02C 11/10  
 351/158  
 2007/0195258 A1 \* 8/2007 Huang ..... G02C 11/10  
 351/41  
 2007/0200999 A1 \* 8/2007 Lee ..... G02C 11/04  
 351/158  
 2011/0234973 A1 \* 9/2011 Ye ..... G02C 11/00  
 351/158  
 2012/0062357 A1 \* 3/2012 Slamka ..... G01C 21/20  
 340/4.11  
 2014/0340629 A1 \* 11/2014 Sadler ..... G02C 11/12  
 351/111  
 2014/0362561 A1 \* 12/2014 Faircloth ..... G02C 11/04  
 362/103  
 2015/0077696 A1 \* 3/2015 Tanaka ..... G02C 11/00  
 351/62  
 2015/0244910 A1 \* 8/2015 Marston ..... G02C 11/10  
 348/294  
 2015/0248024 A1 \* 9/2015 Chen ..... G02C 11/04  
 351/158  
 2015/0309316 A1 \* 10/2015 Osterhout ..... G06F 3/012  
 345/8  
 2016/0103339 A1 \* 4/2016 White ..... G02C 11/10  
 351/123  
 2017/0171441 A1 \* 6/2017 Kearns ..... H04N 5/77  
 2017/0185716 A1 \* 6/2017 Rodriguez ..... G06F 19/3418  
 2017/0227793 A1 \* 8/2017 Abreu ..... G02C 3/003  
 2018/0224673 A1 \* 8/2018 Therrien ..... G02C 7/14  
 2018/0249048 A1 \* 8/2018 Fiebelkorn ..... G06F 3/011  
 2019/0353936 A1 \* 11/2019 Ban ..... G02C 11/10

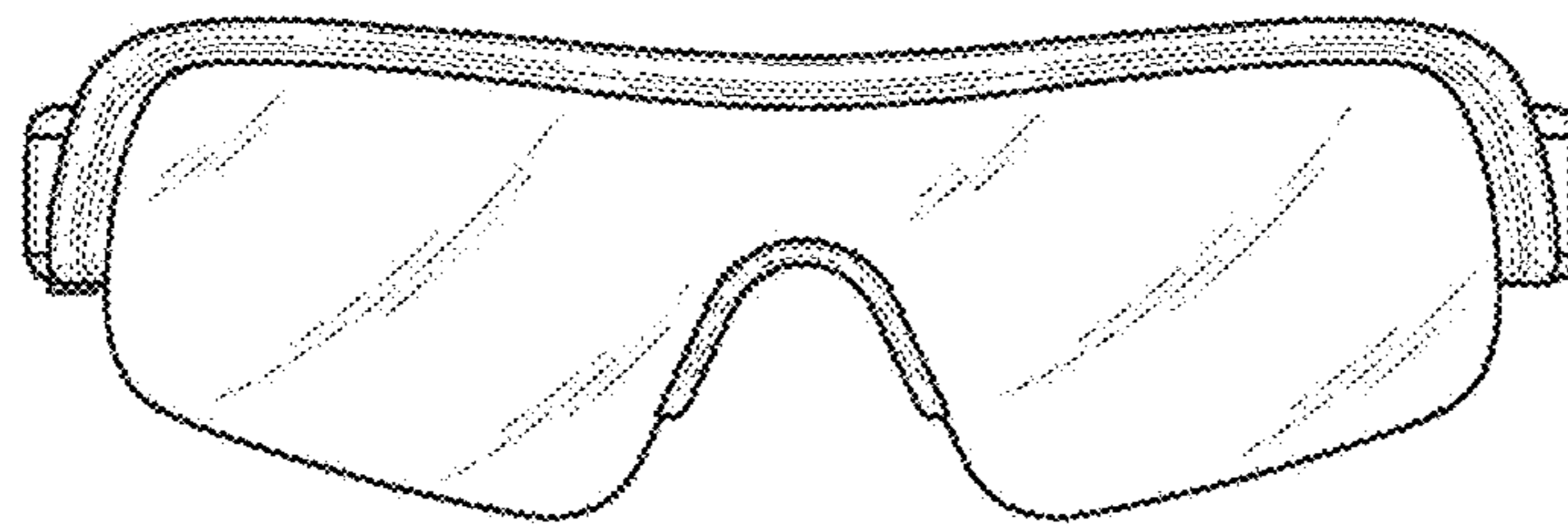
\* cited by examiner



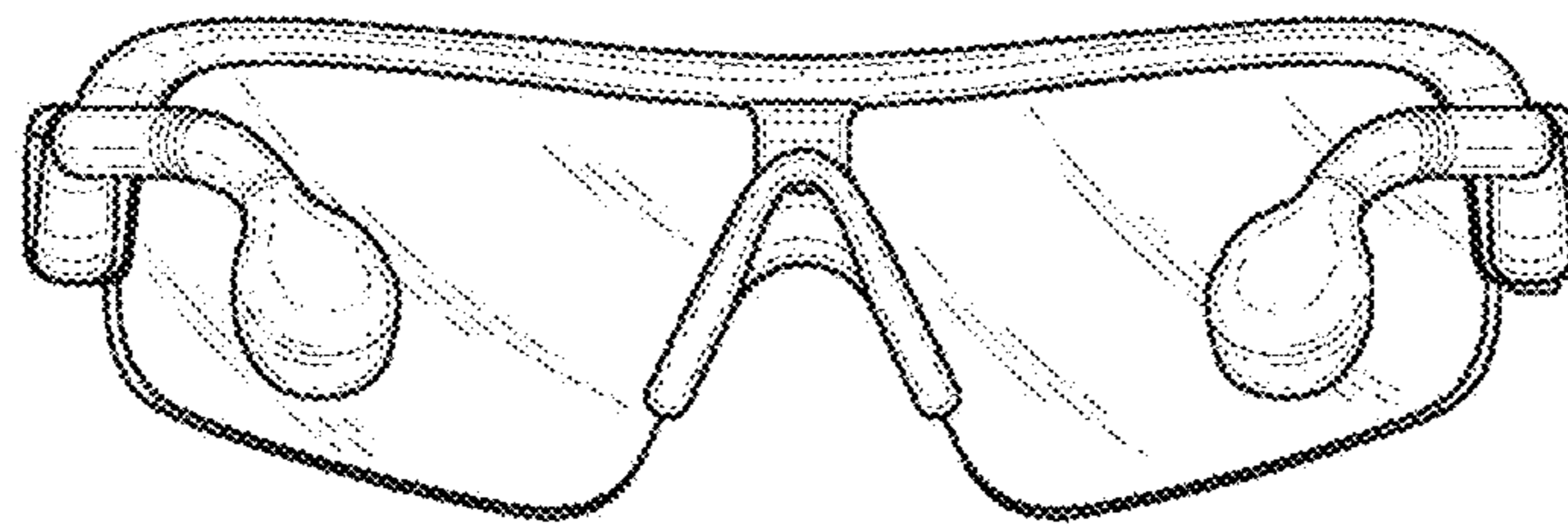
**FIG. 1**



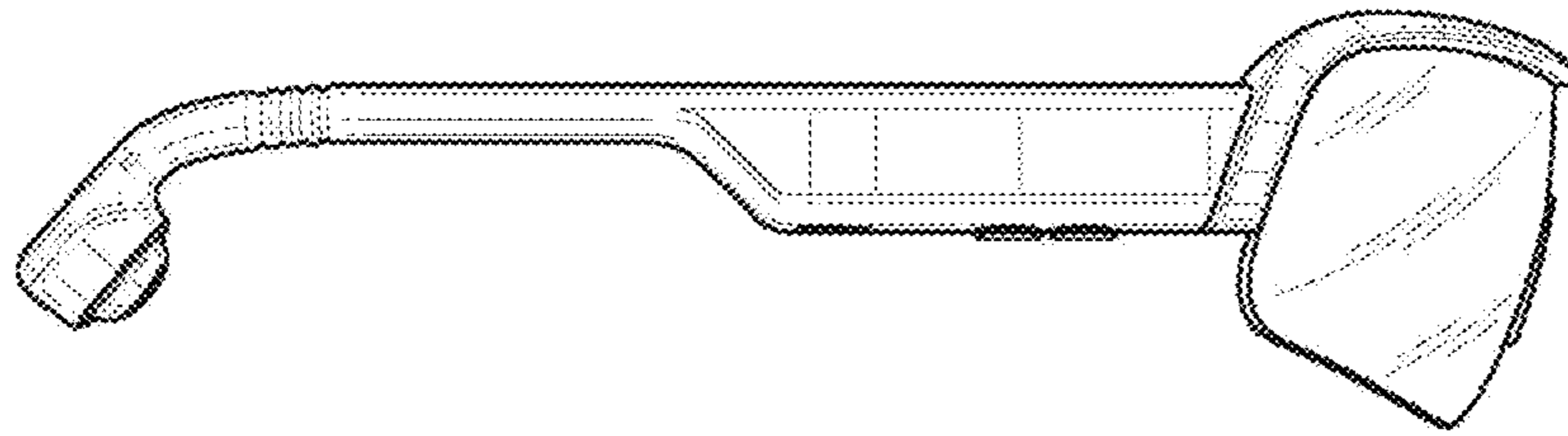
**FIG. 2**



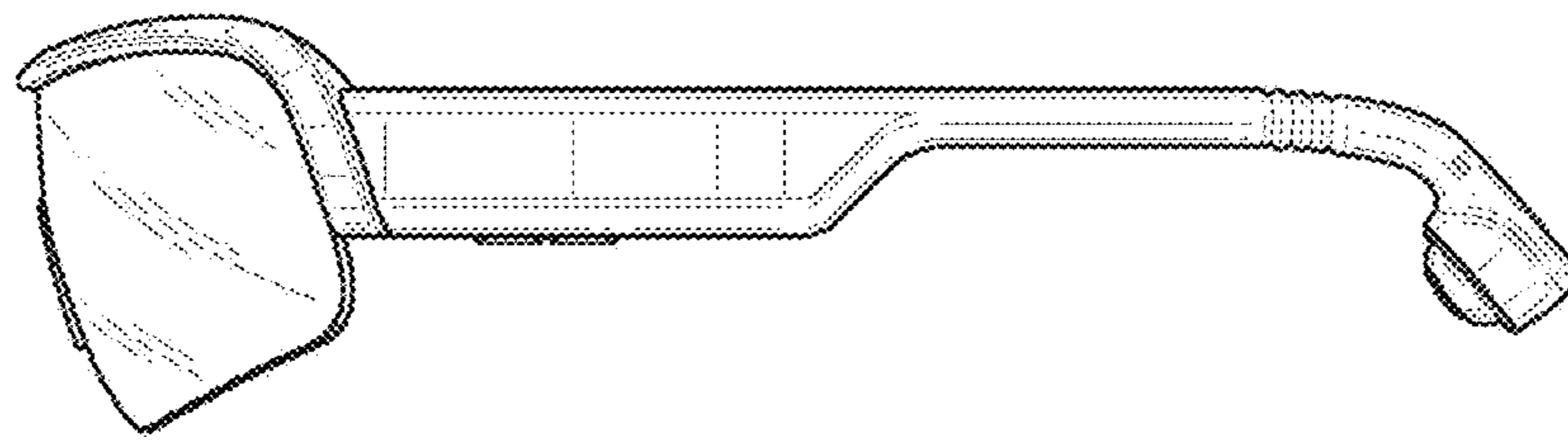
**FIG. 3**



**FIG. 4**

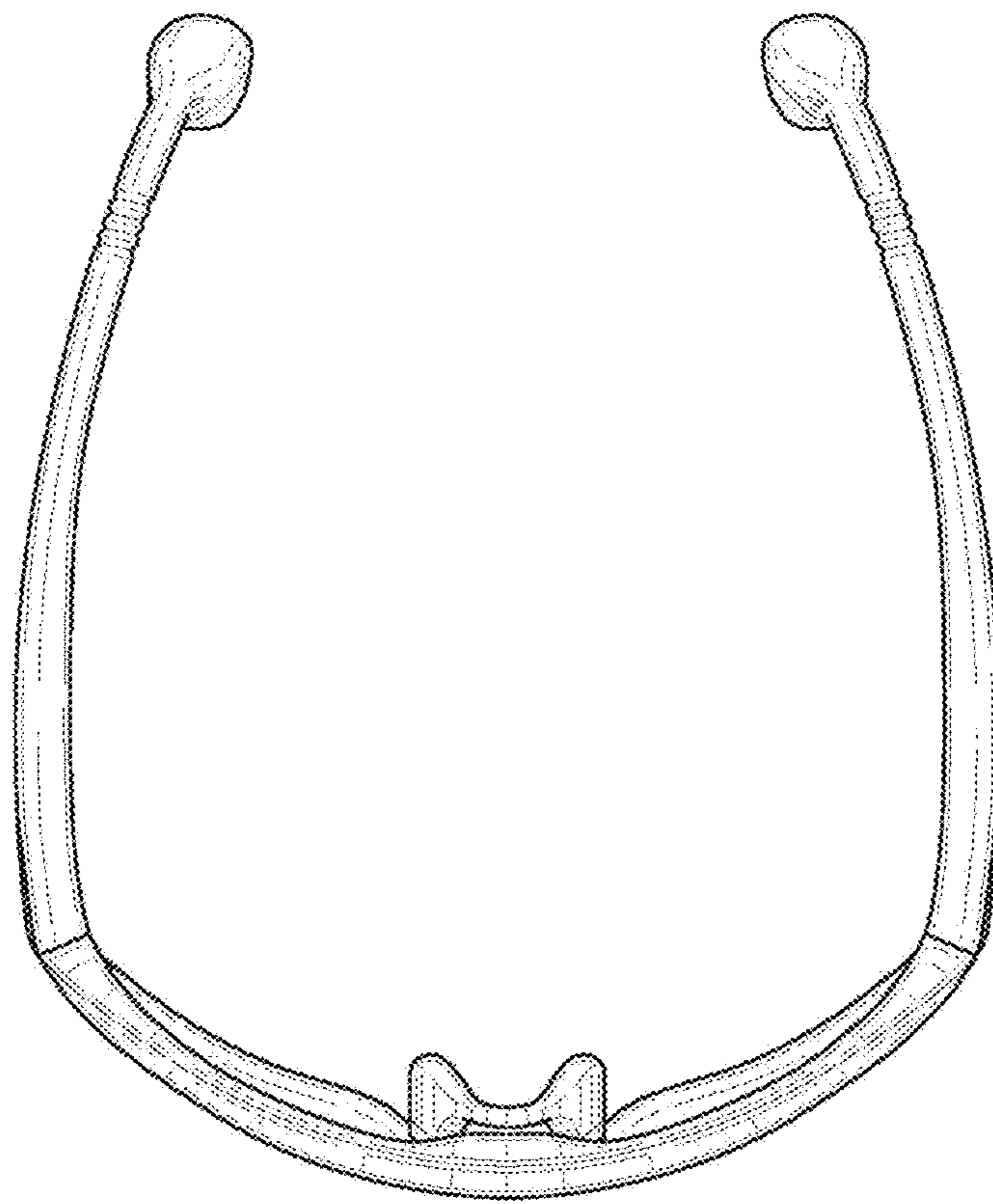


**FIG. 5**

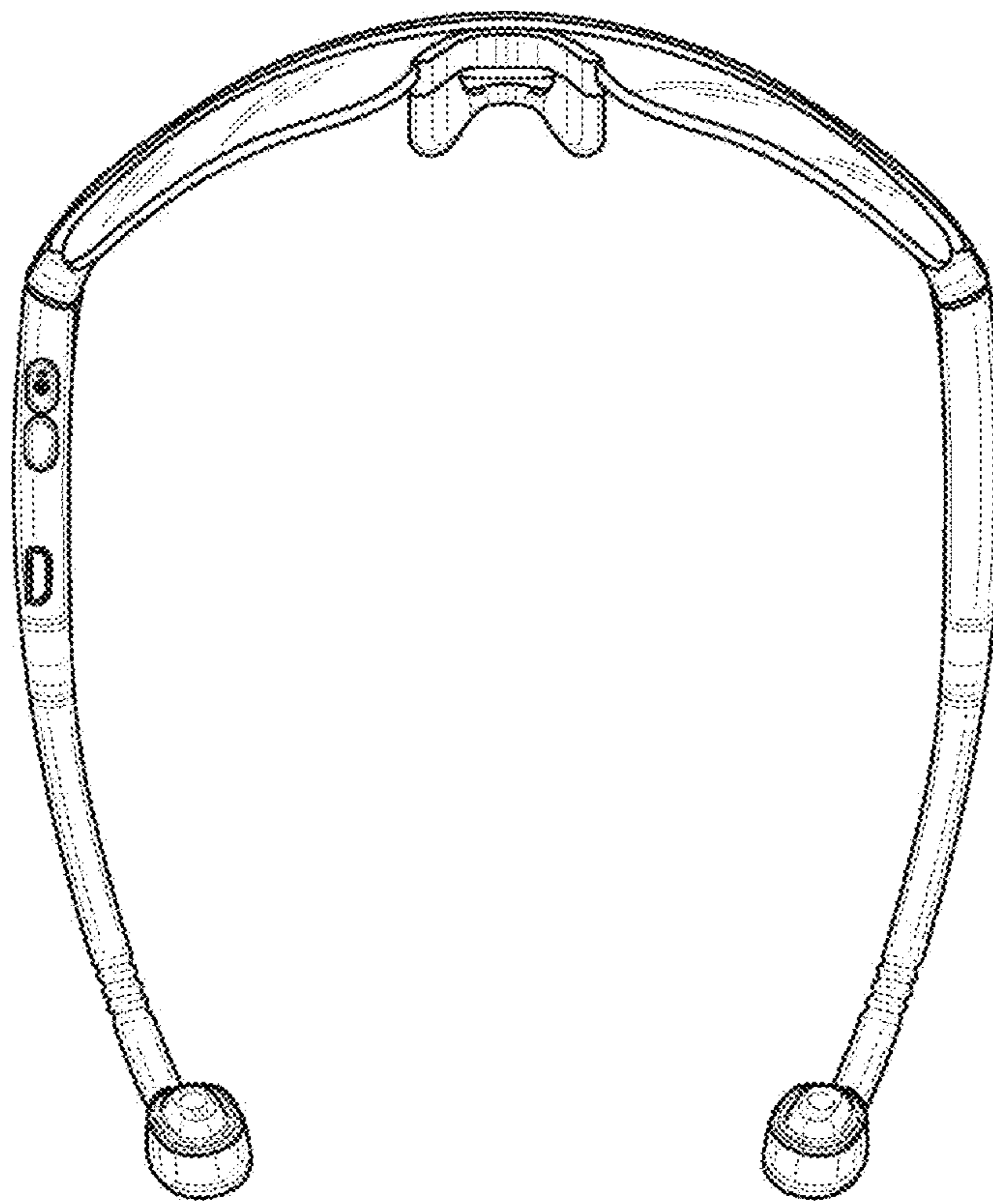


**FIG. 6**

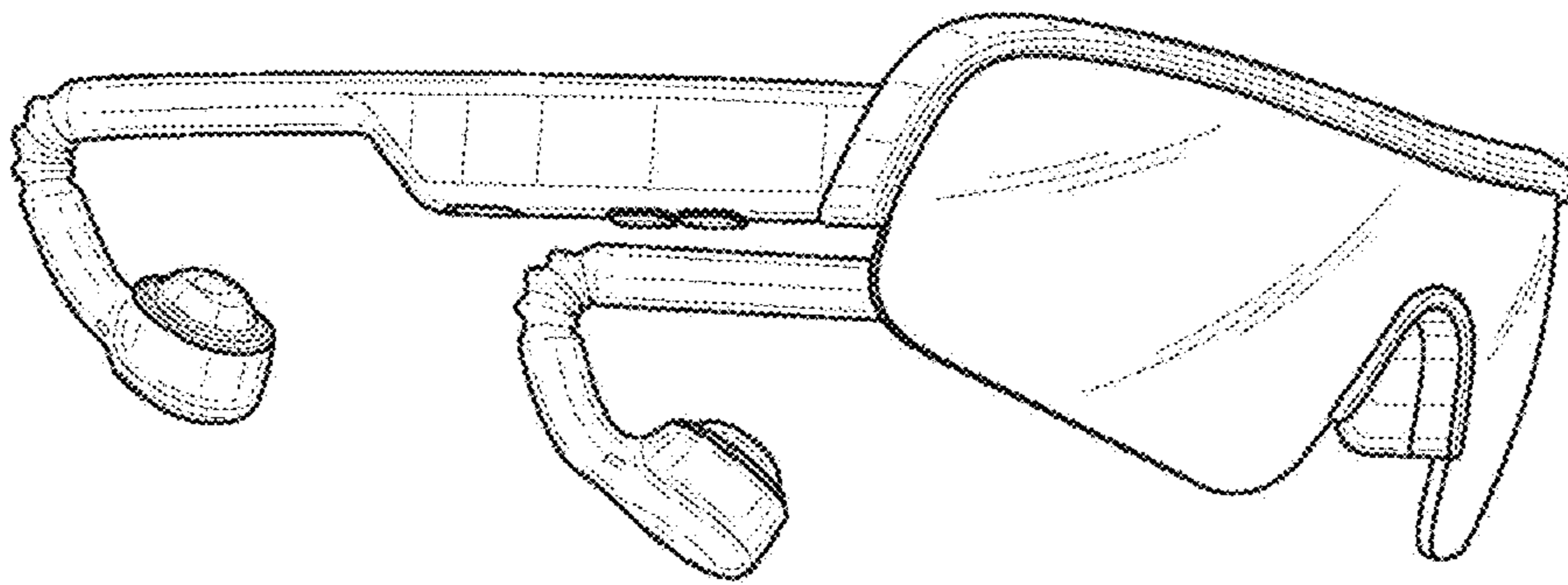




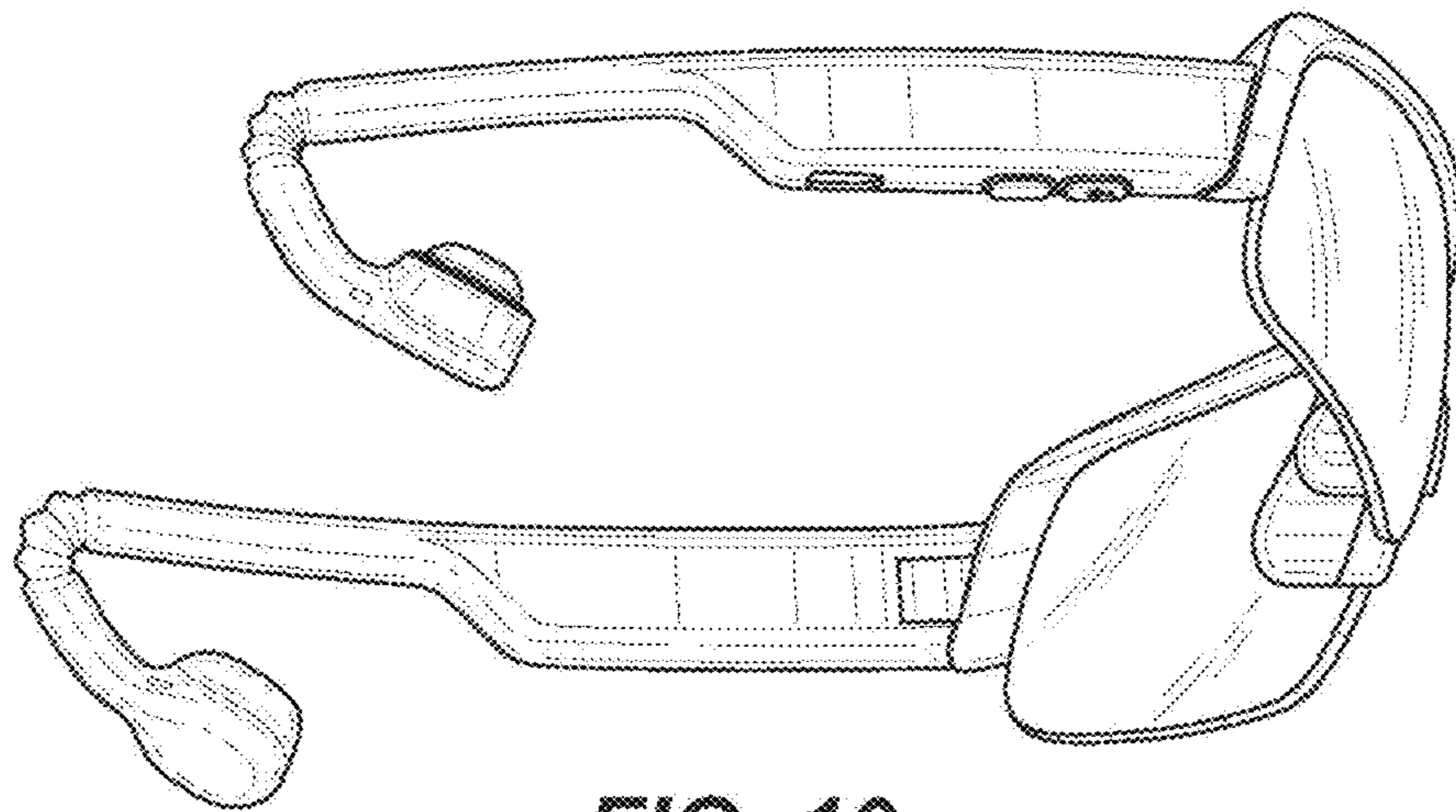
**FIG. 7**



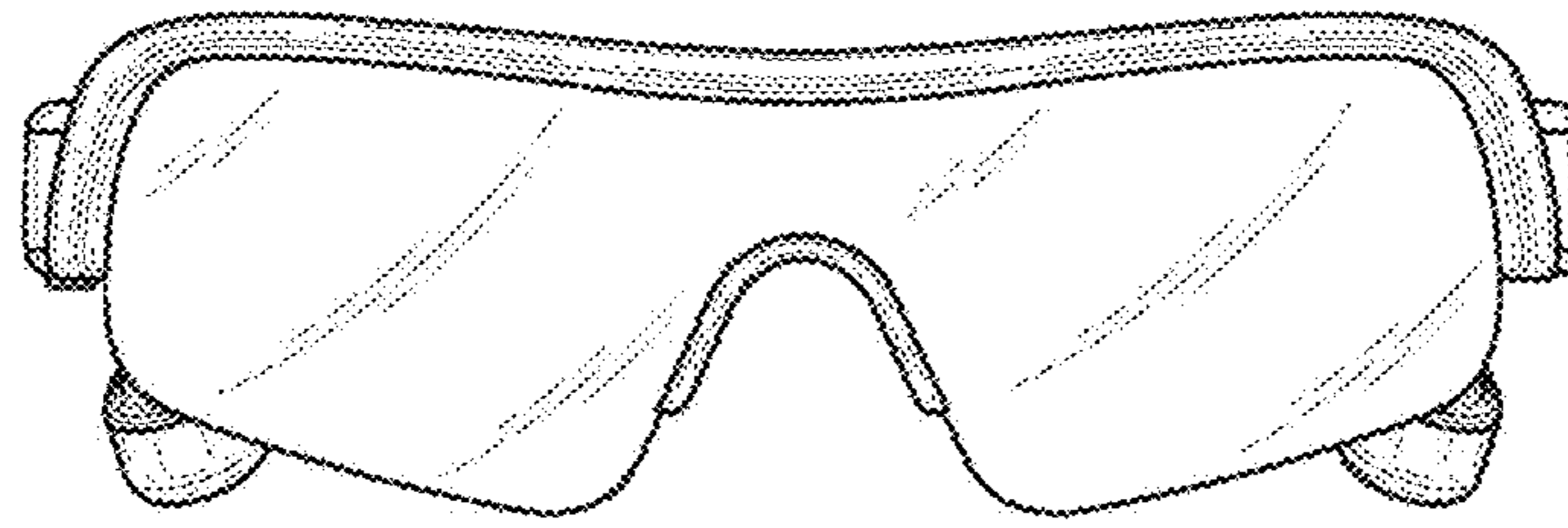
**FIG. 8**



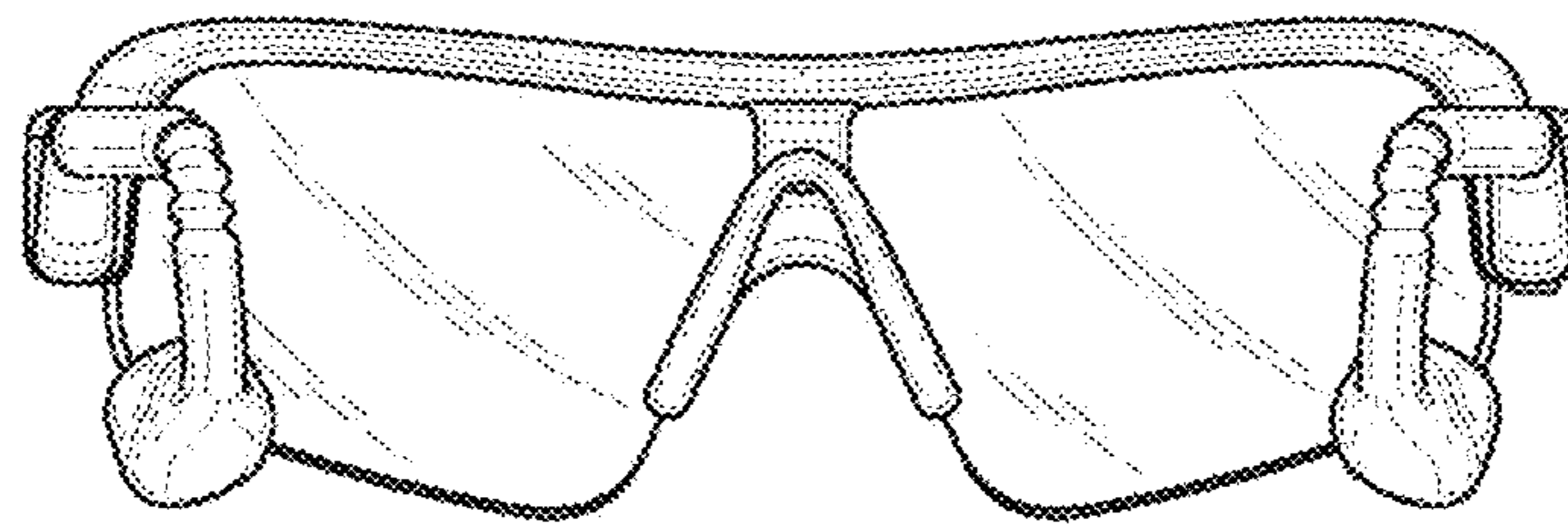
**FIG. 9**



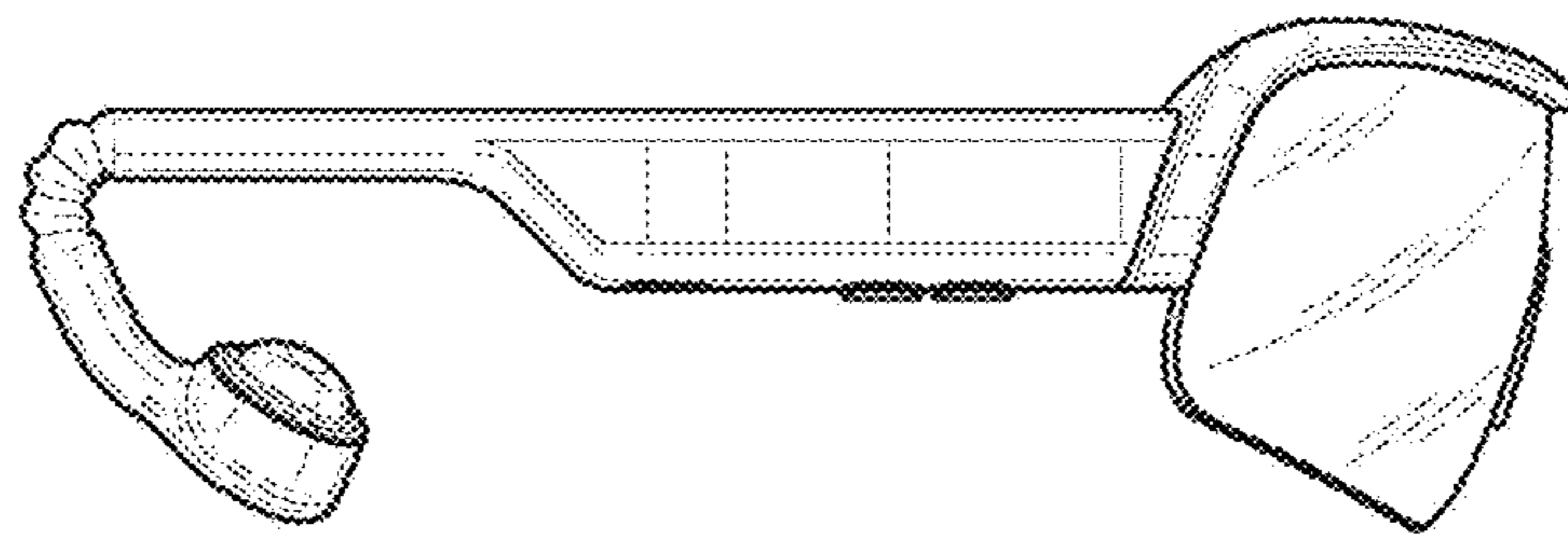
**FIG. 10**



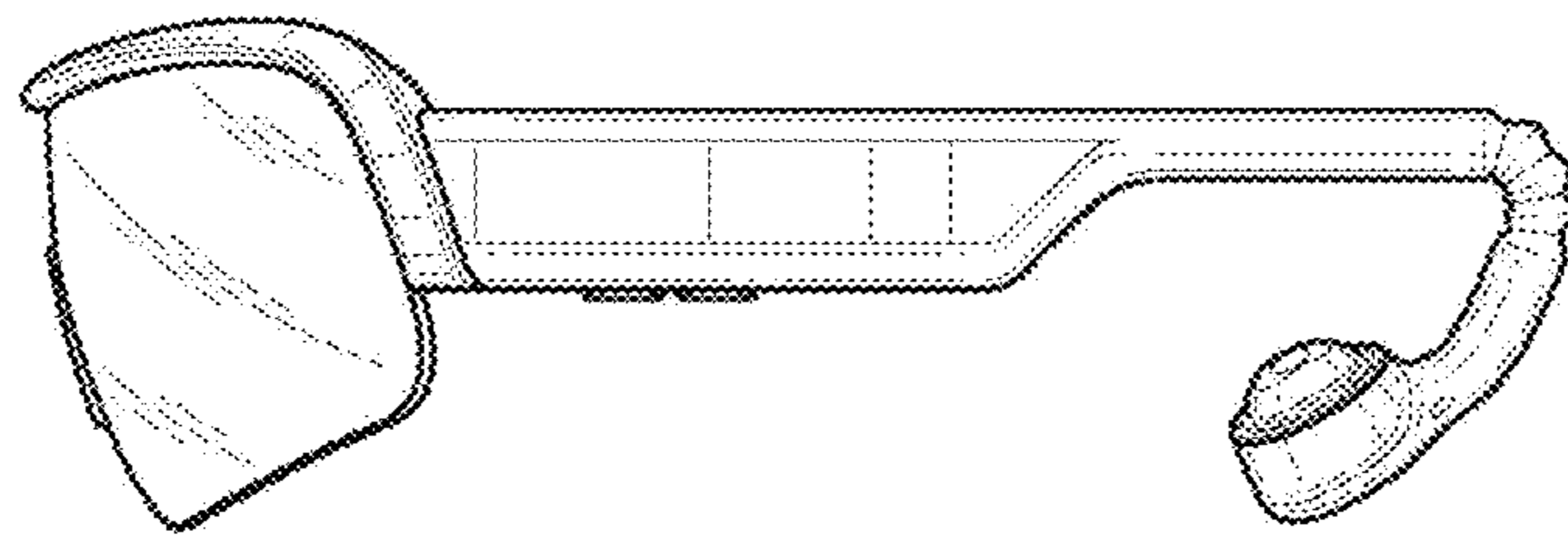
**FIG. 11**



**FIG. 12**

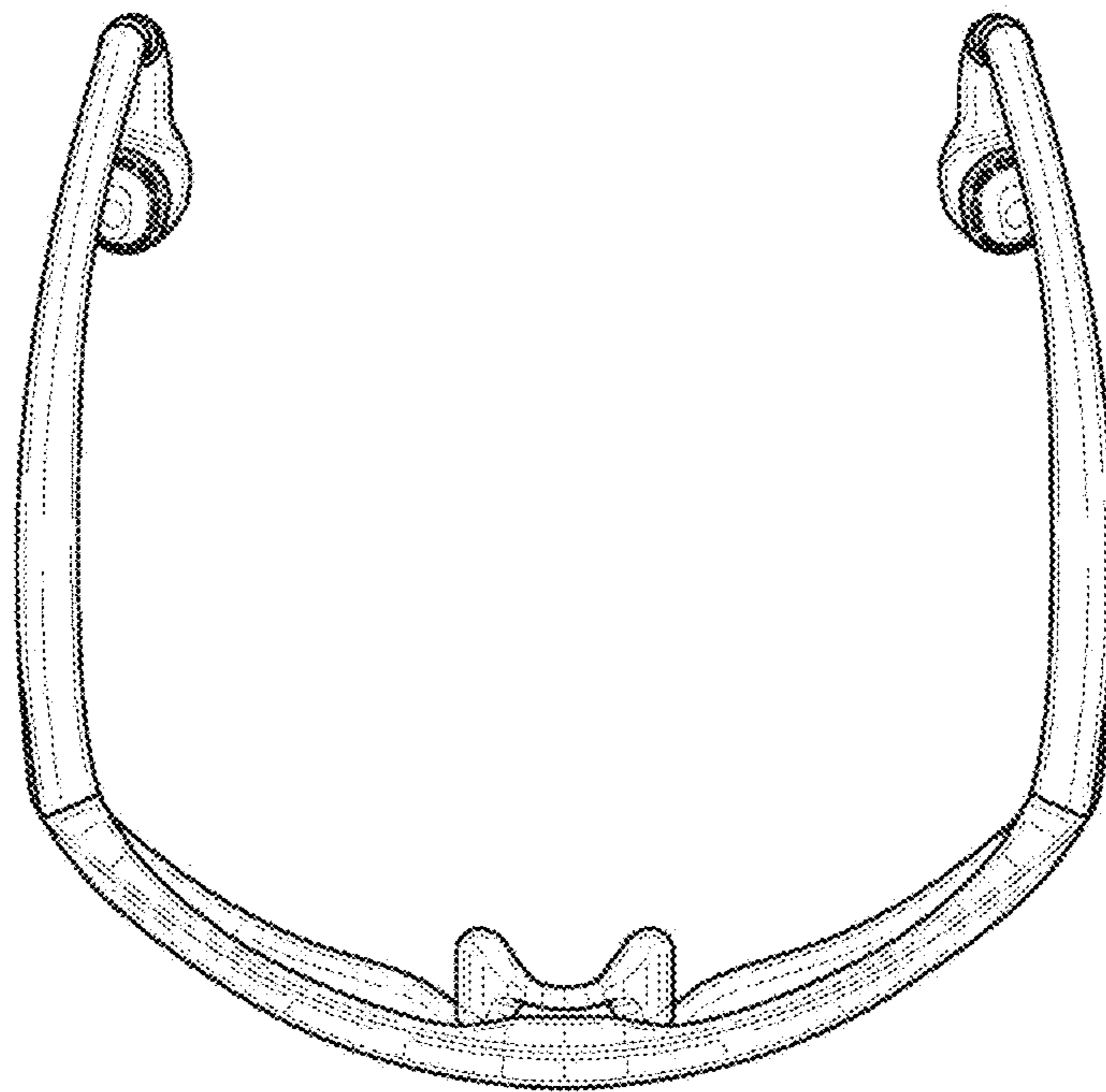


**FIG. 13**

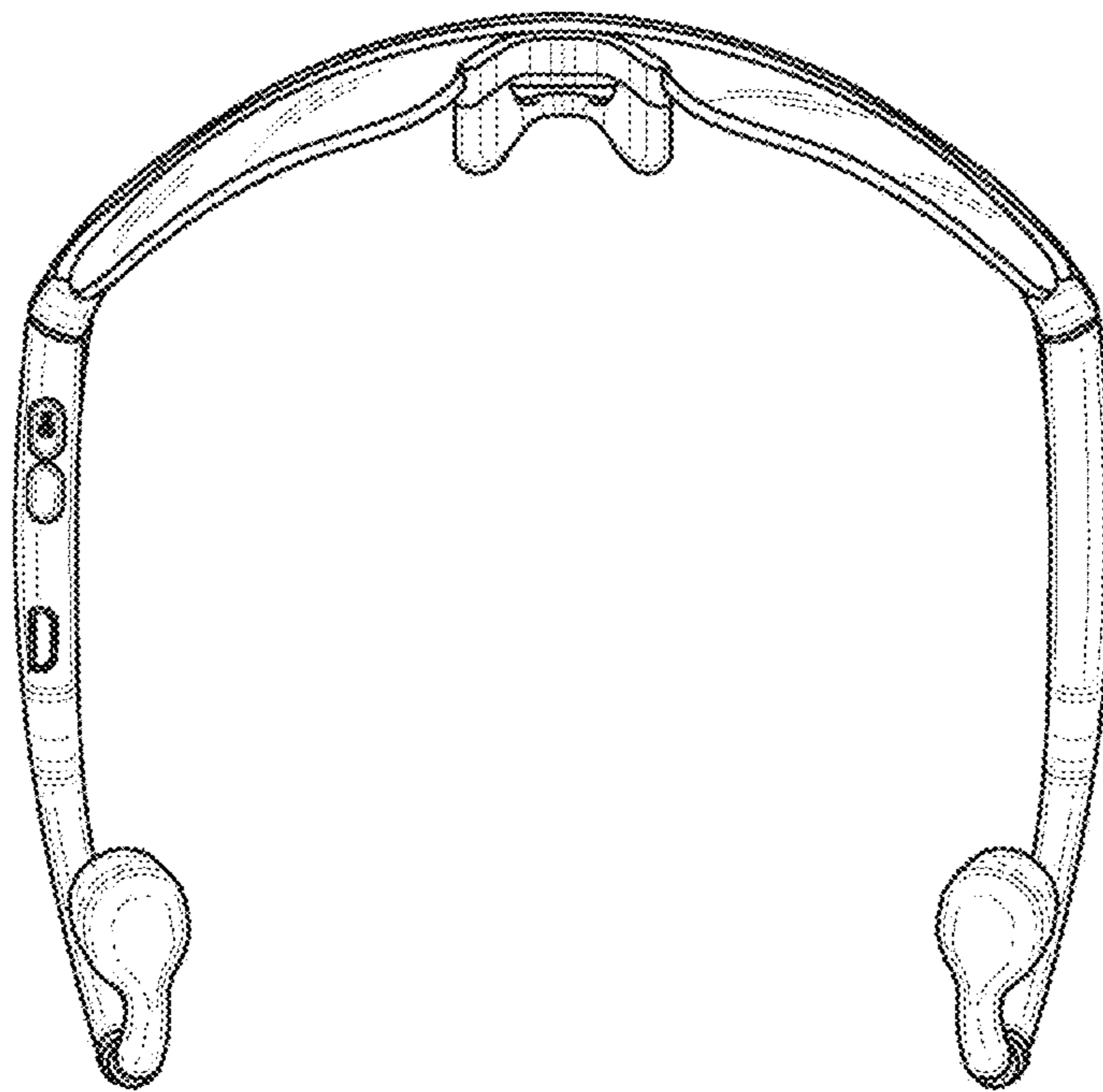


**FIG. 14**

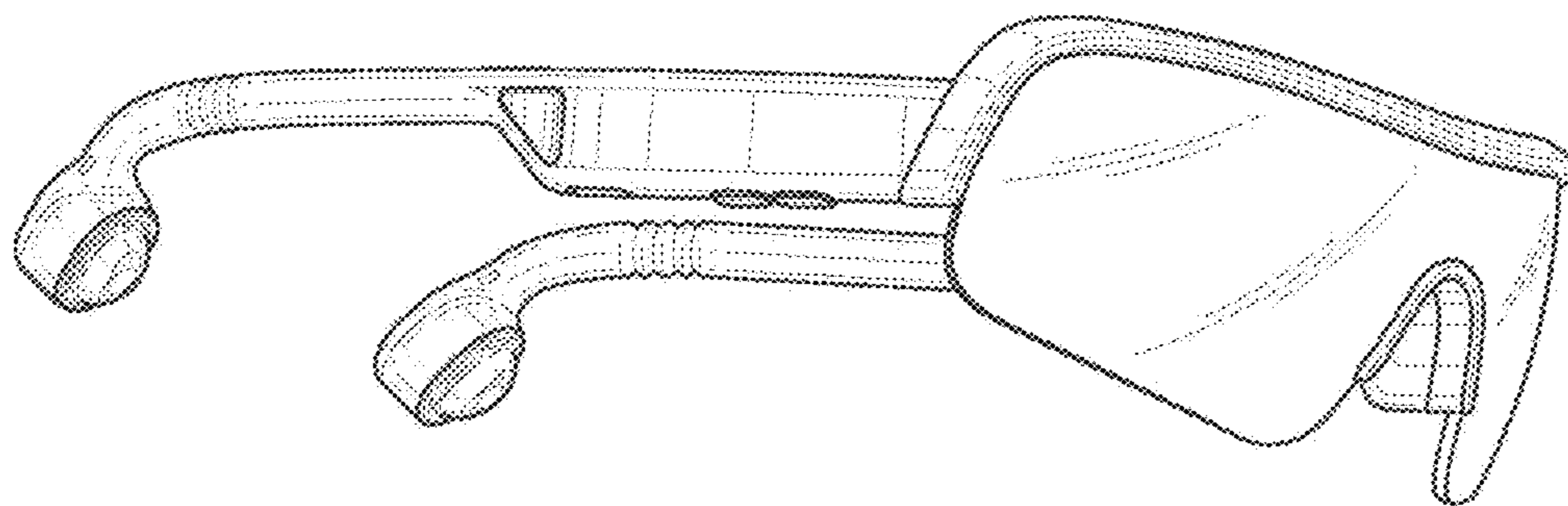




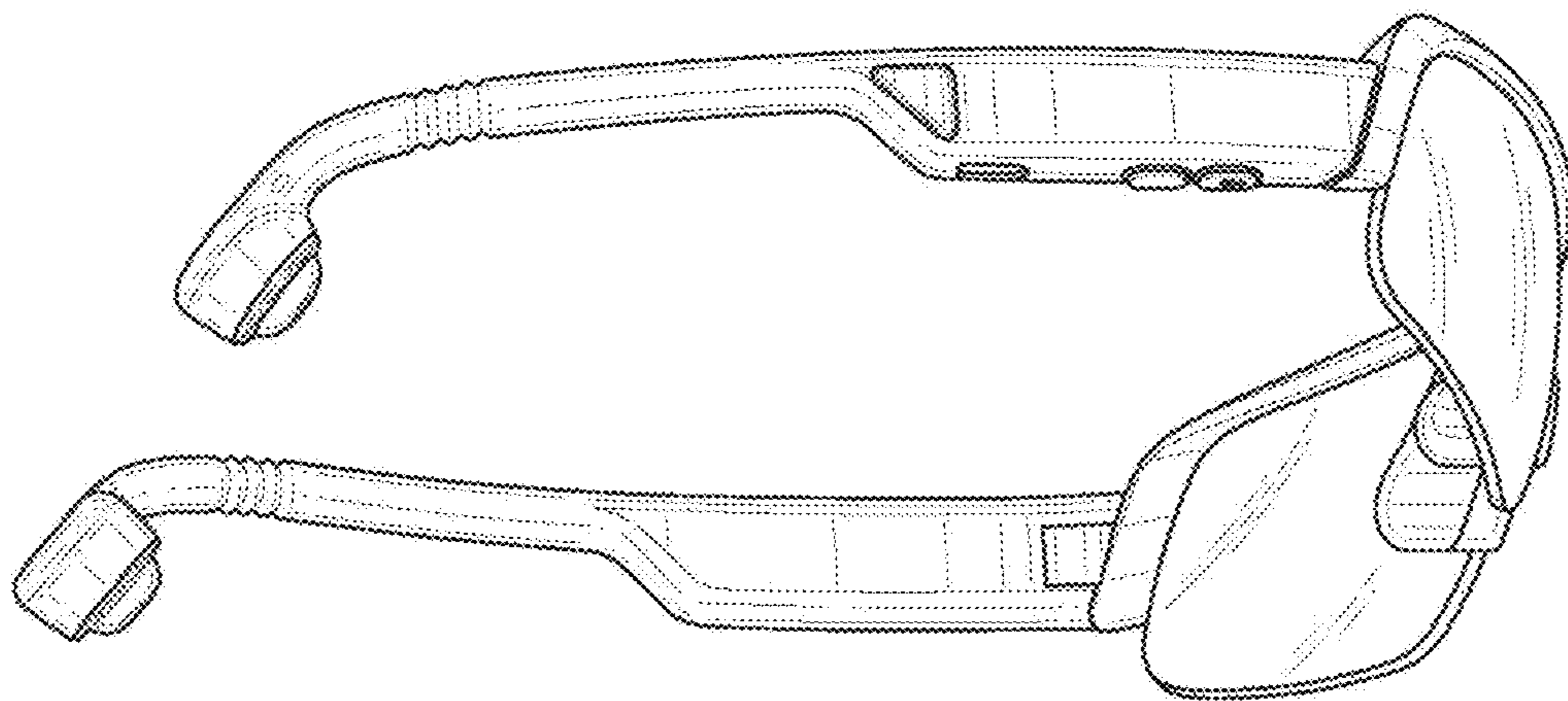
**FIG. 15**



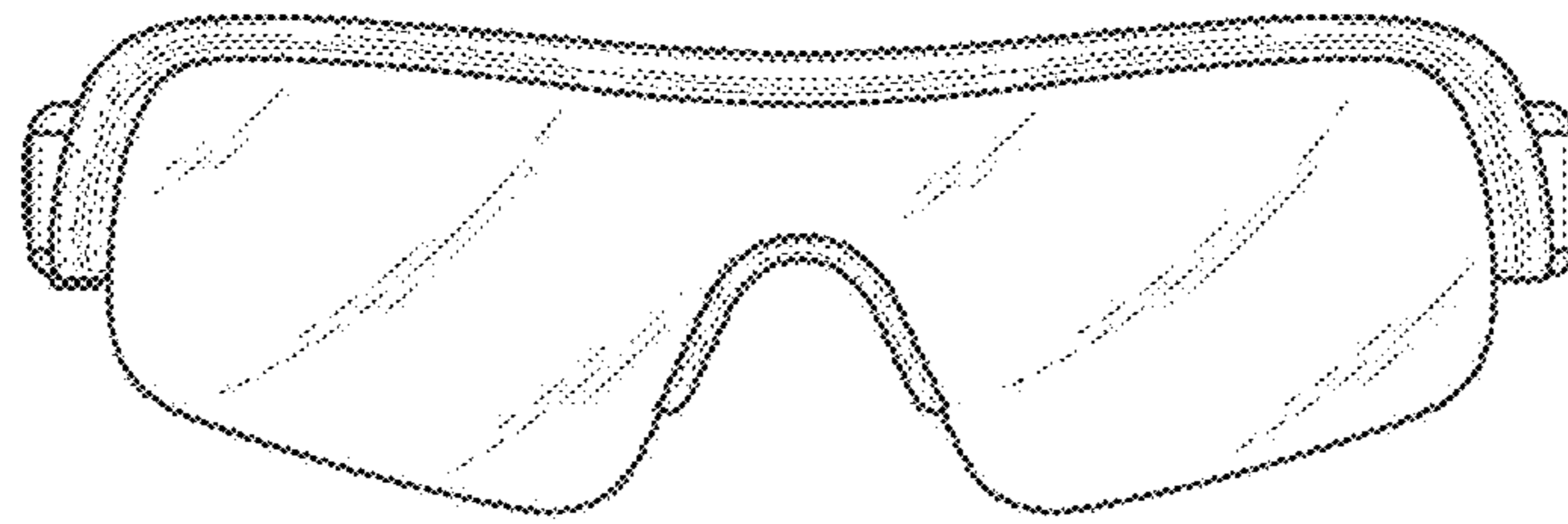
**FIG. 16**



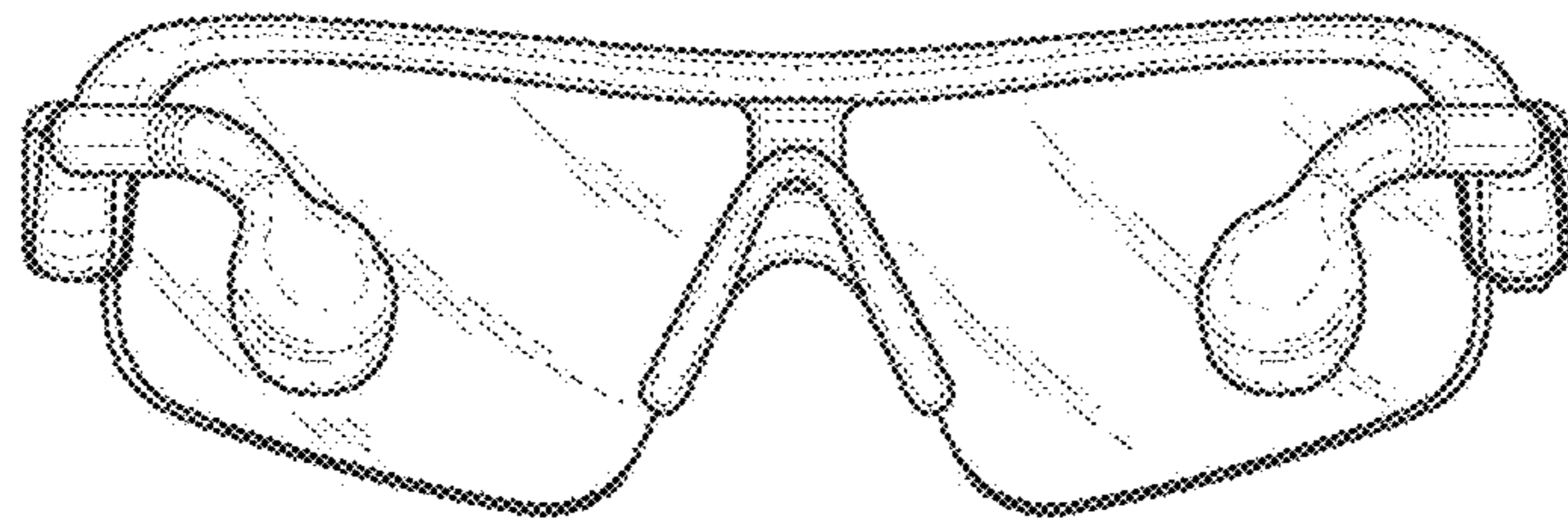
**FIG. 17**



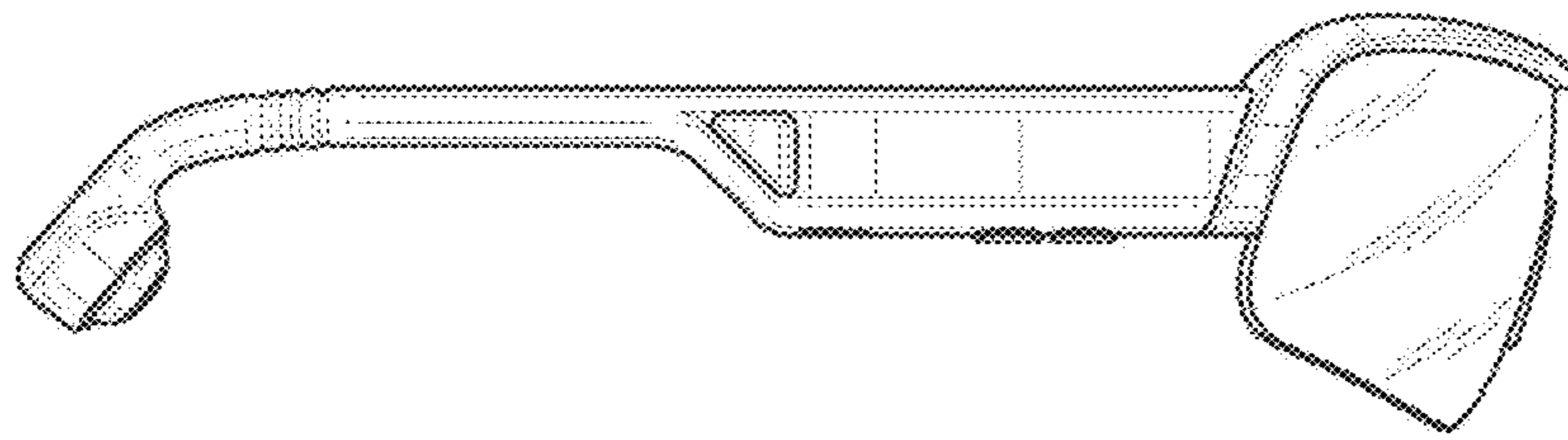
**FIG. 18**



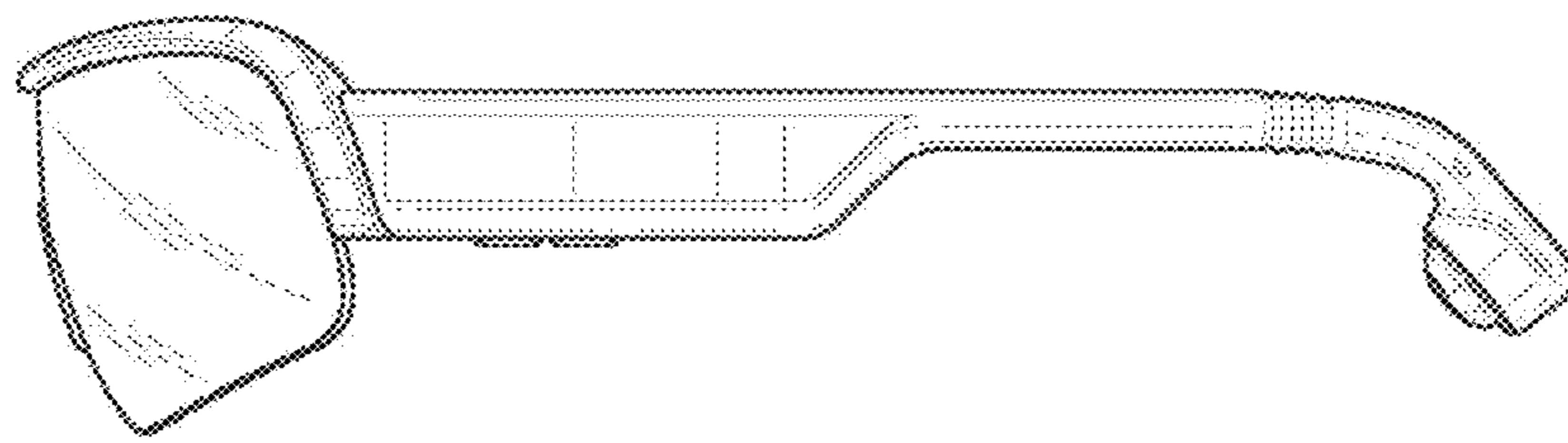
**FIG. 19**



**FIG. 20**

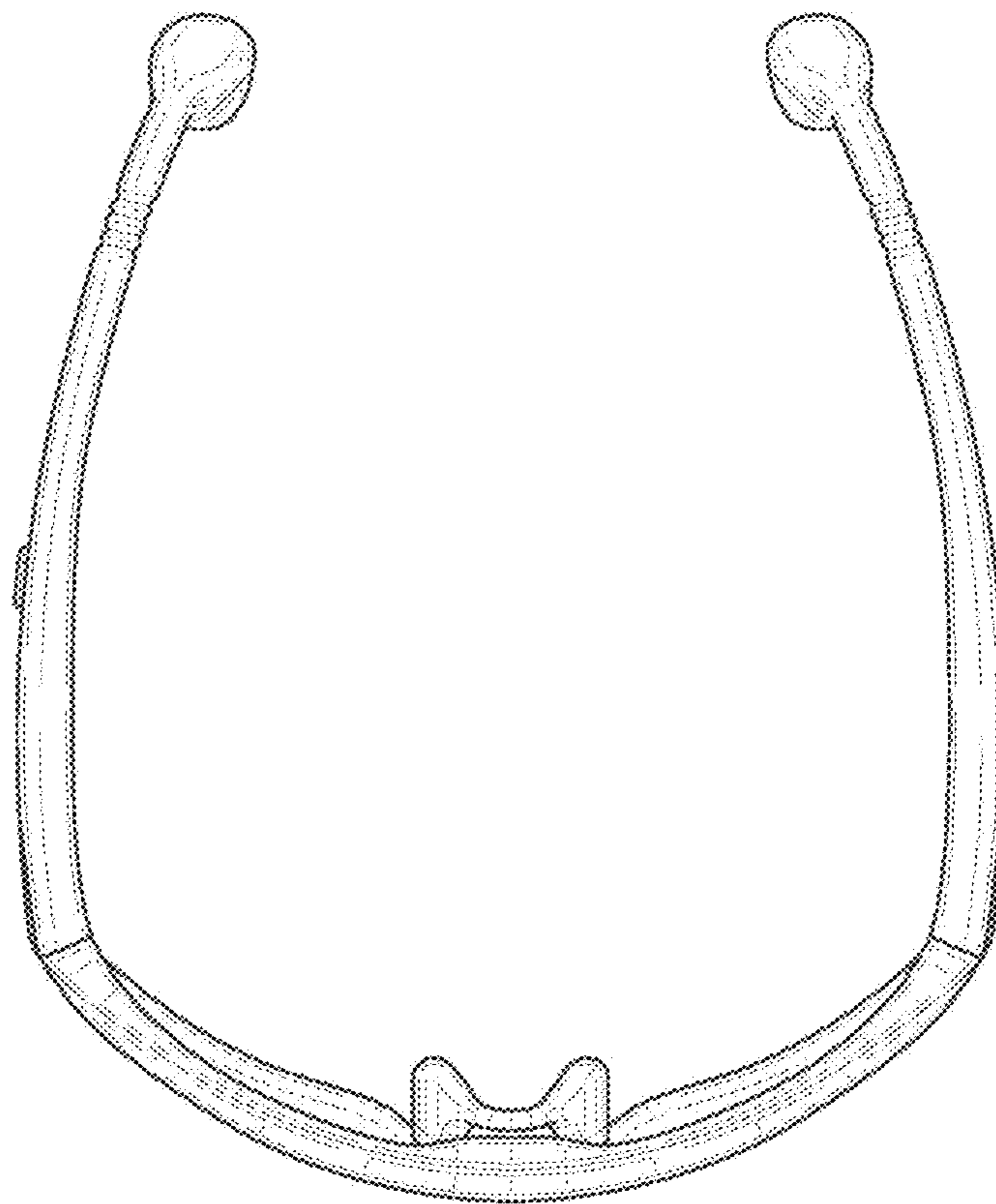


**FIG. 21**

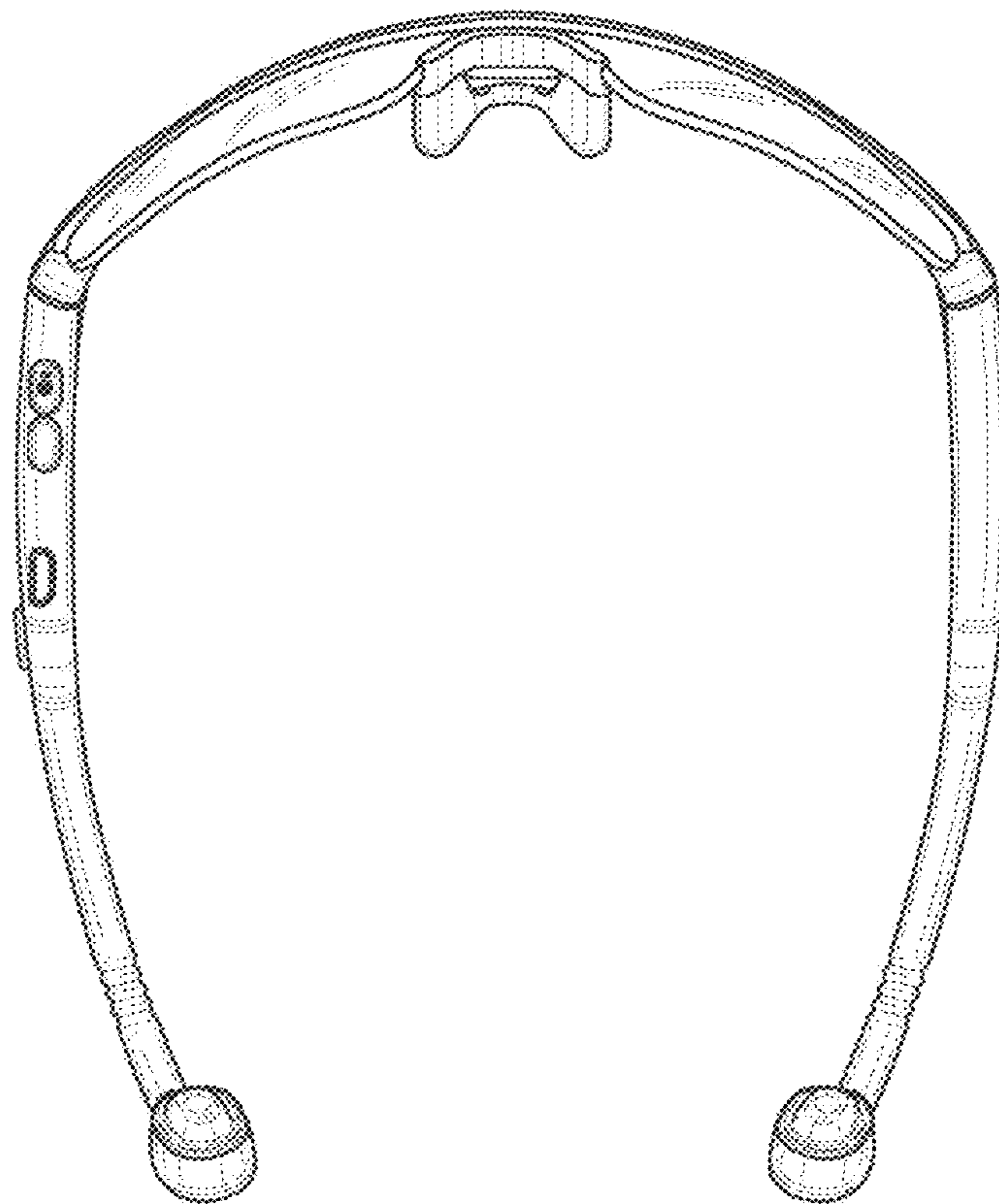


**FIG. 22**

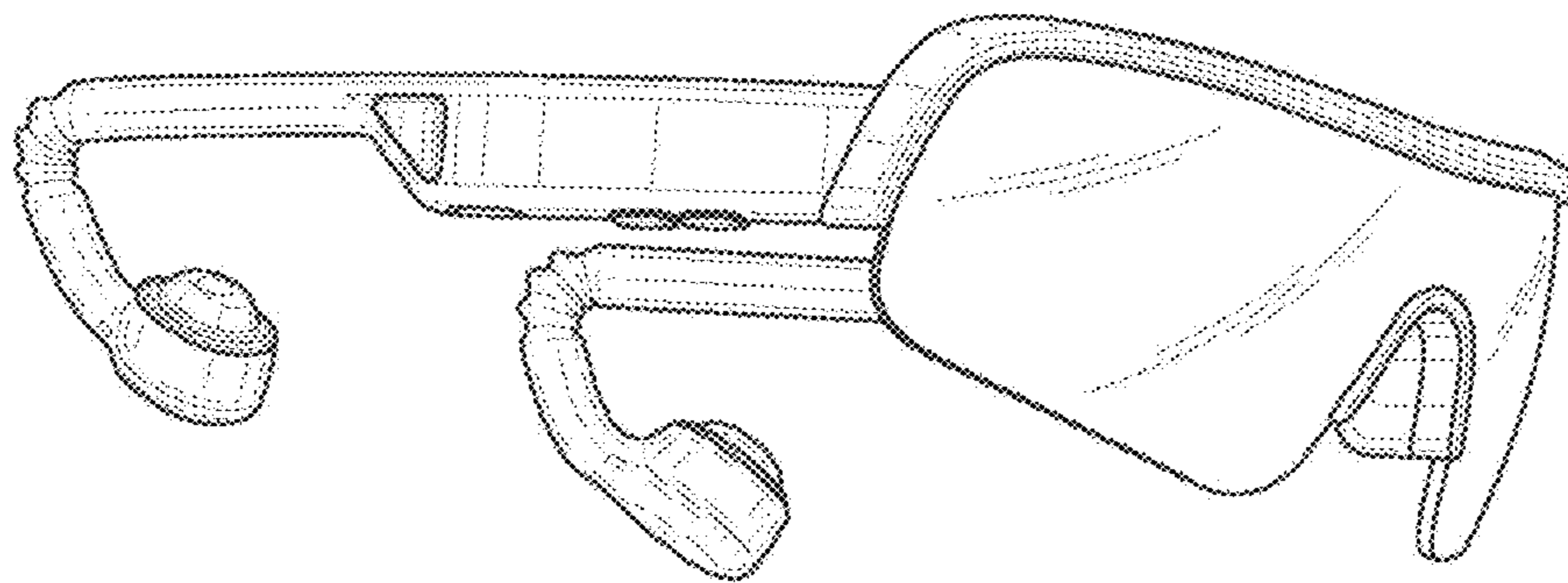




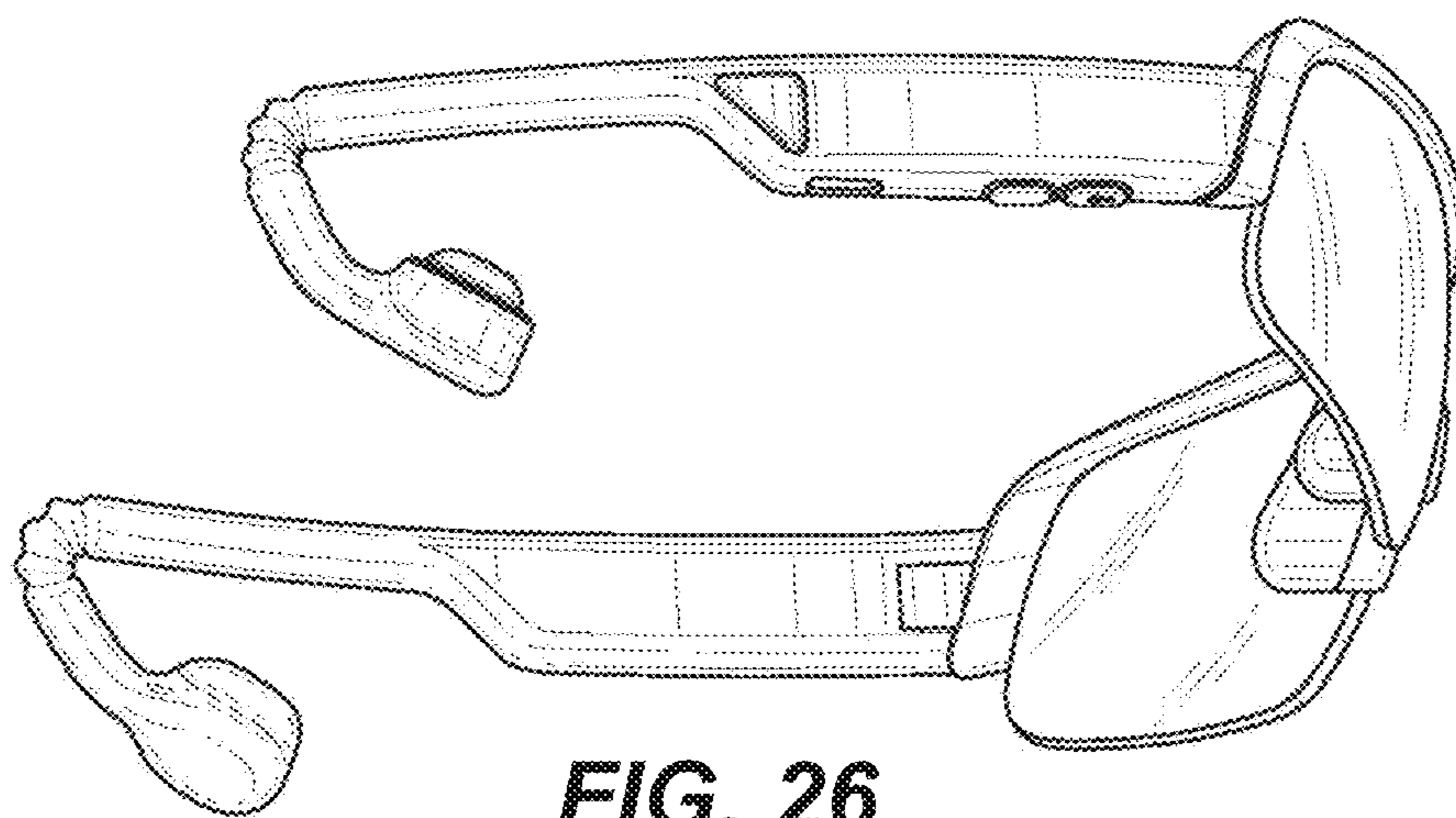
**FIG. 23**



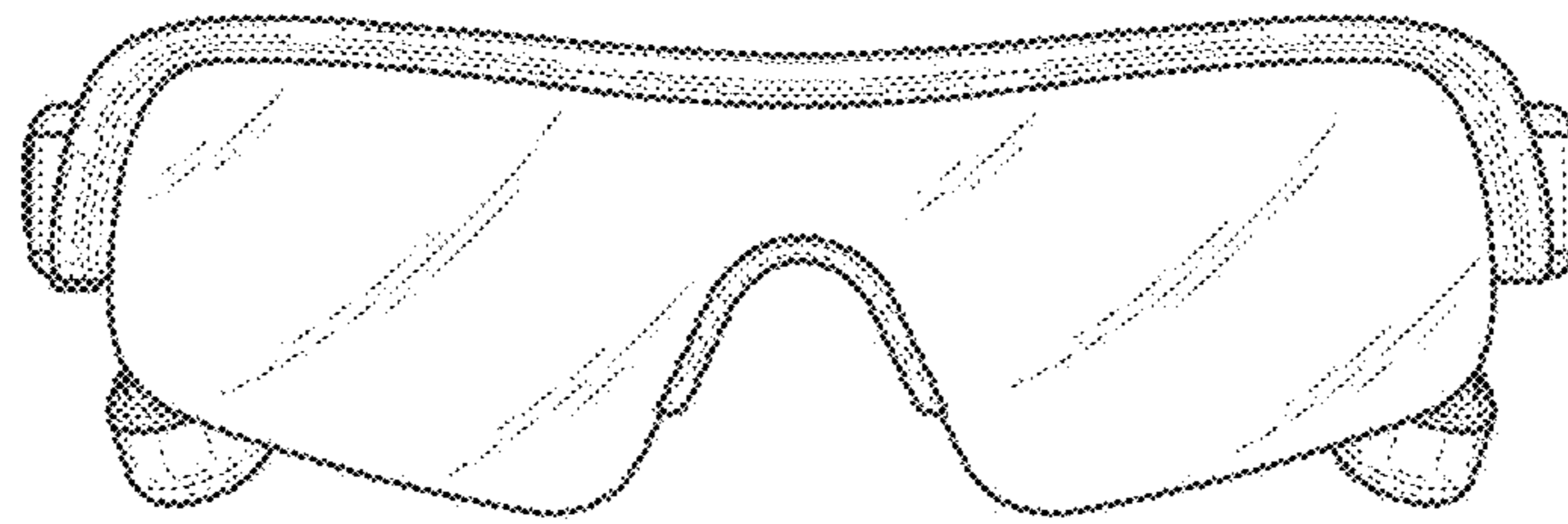
**FIG. 24**



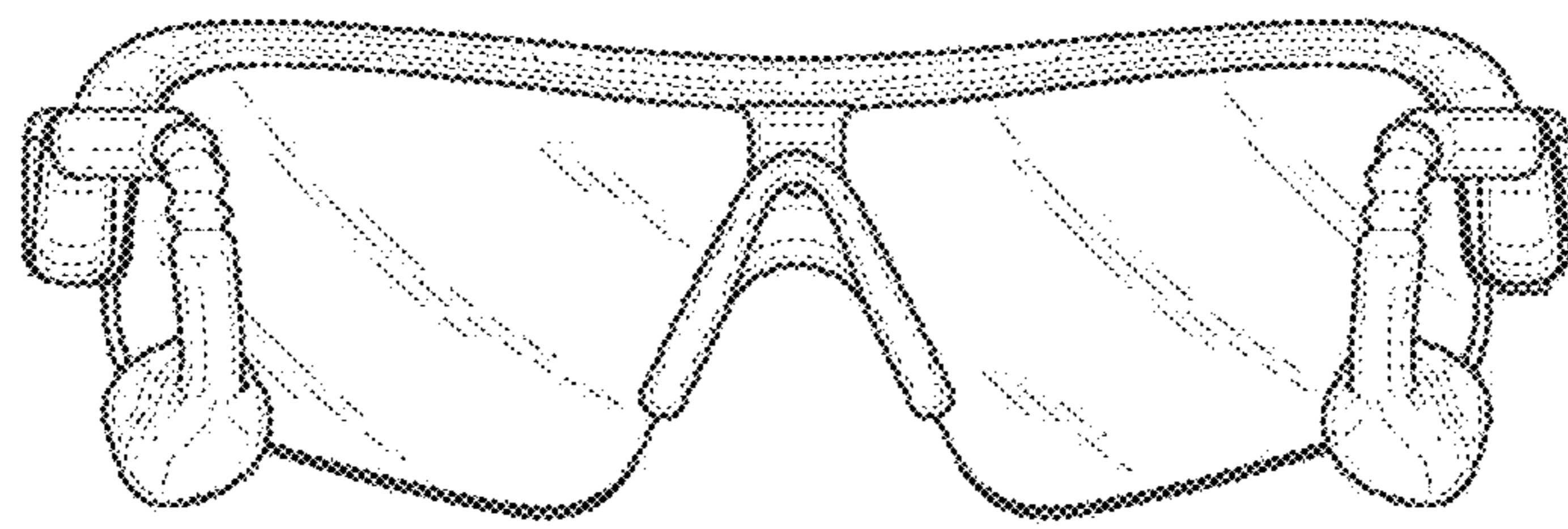
**FIG. 25**



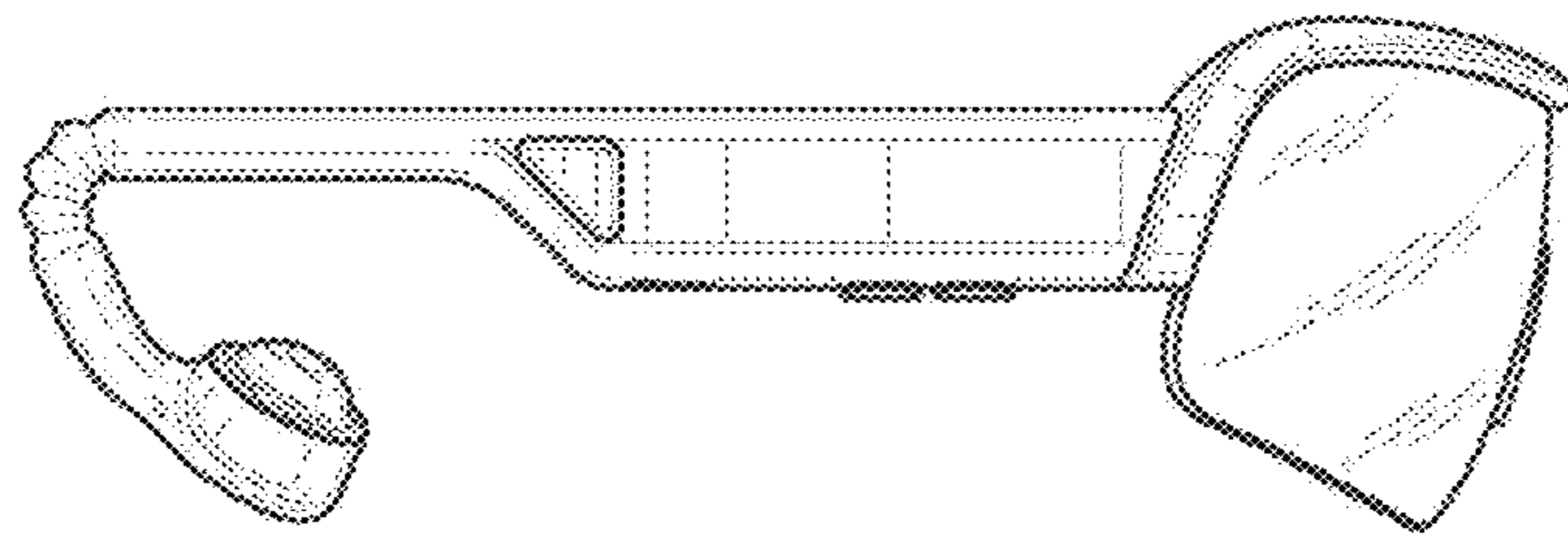
**FIG. 26**



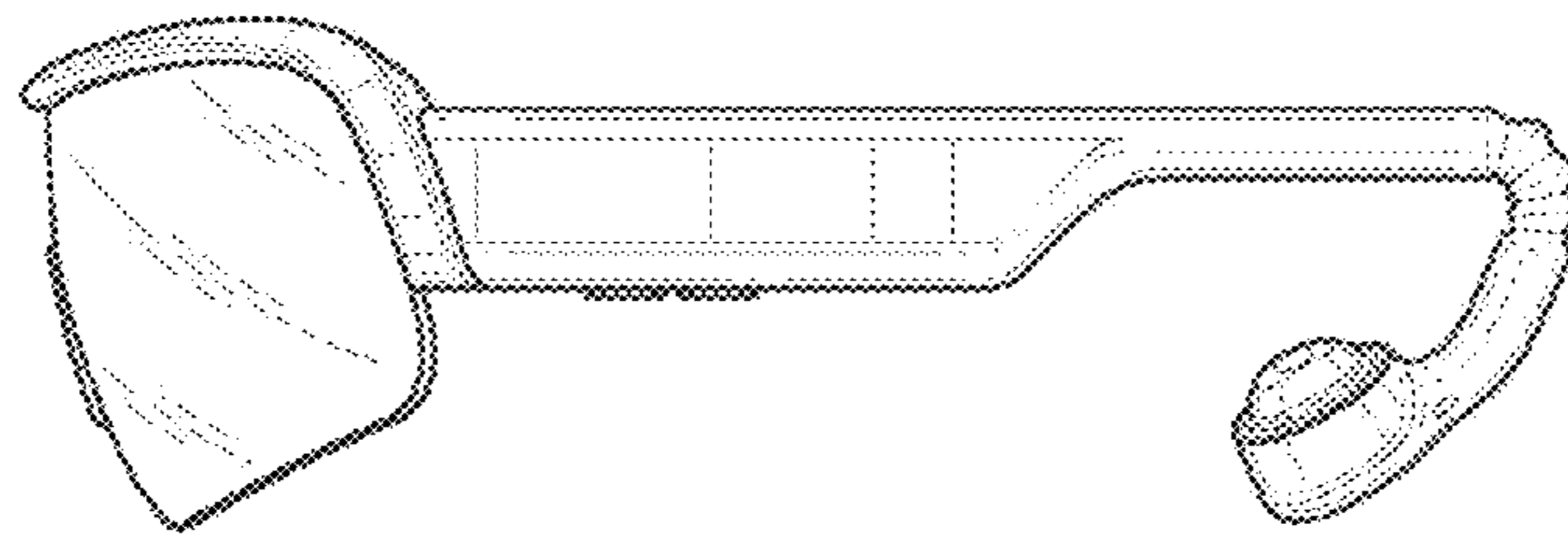
**FIG. 27**



**FIG. 28**

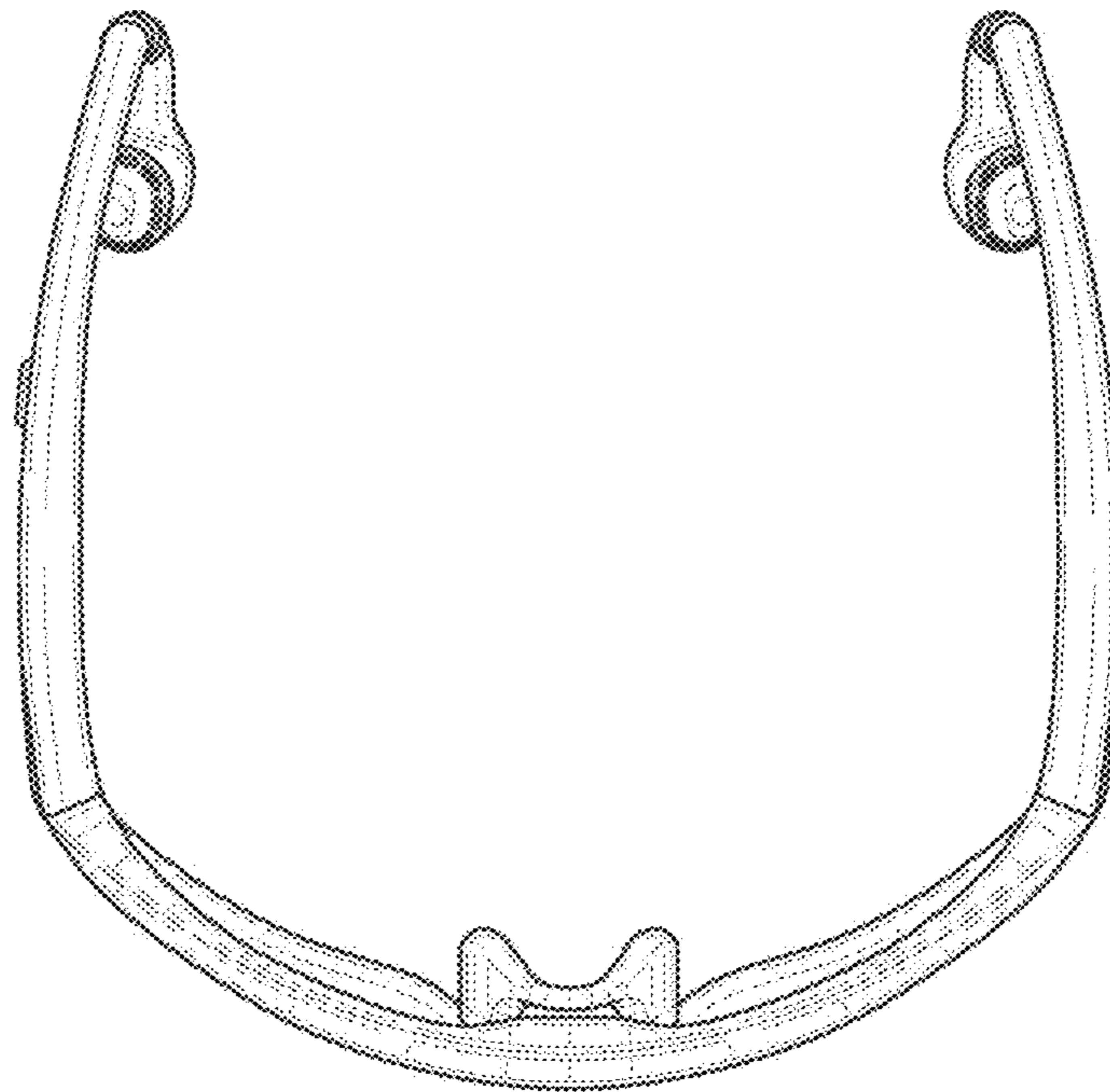


**FIG. 29**

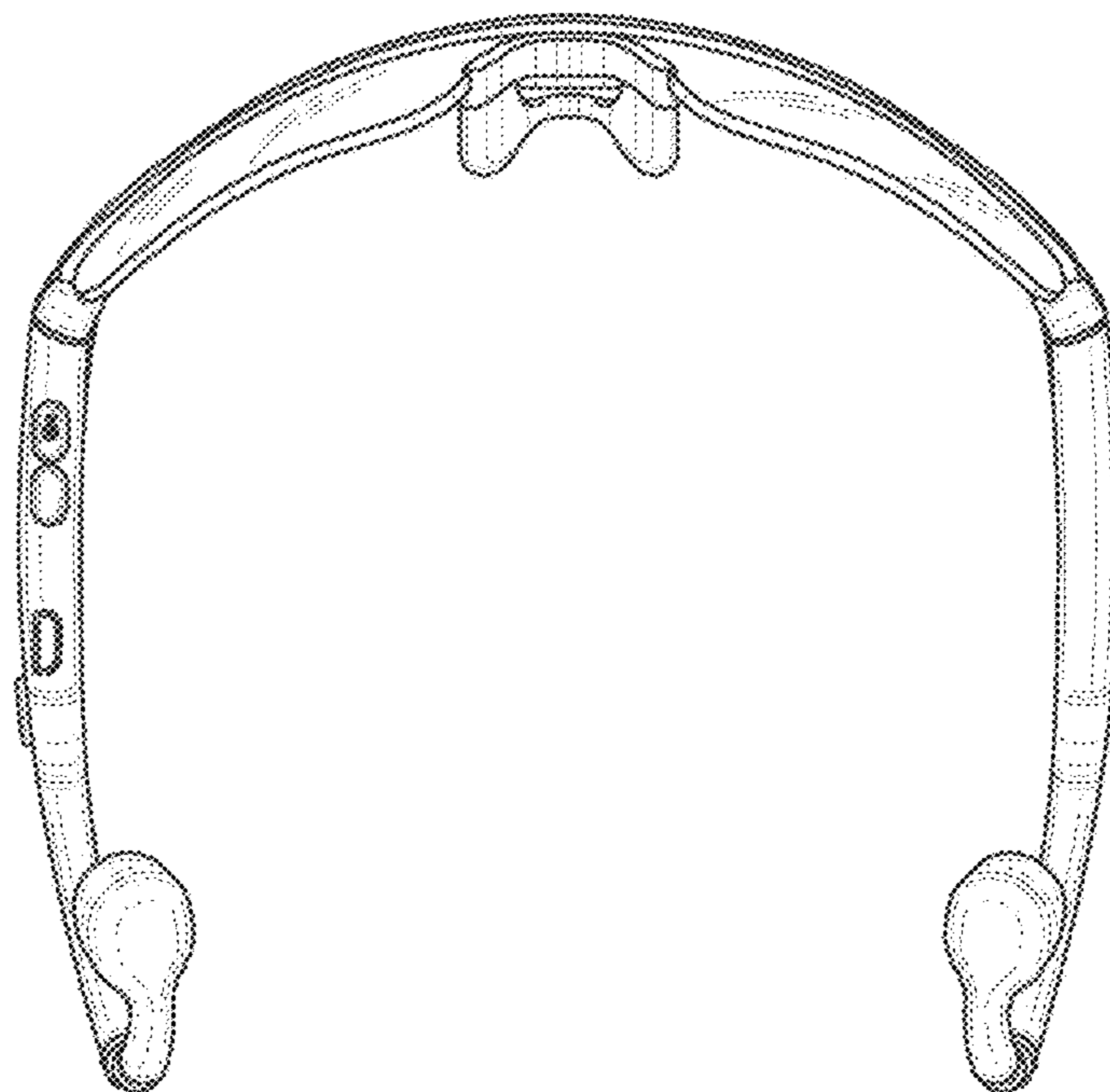


**FIG. 30**





**FIG. 31**



**FIG. 32**