



US00D898808S

(12) **United States Design Patent**  
**Seflic et al.**

(10) **Patent No.:** **US D898,808 S**  
(45) **Date of Patent:** **\*\* Oct. 13, 2020**

- (54) **BASE FOR A DEVICE**
- (71) Applicant: **Amazon Technologies, Inc.**, Seattle, WA (US)
- (72) Inventors: **Matthew Michael Seflic**, San Jose, CA (US); **Marc Rene Walliser**, San Francisco, CA (US); **Christopher Green**, San Francisco, CA (US)
- (73) Assignee: **Amazon Technologies, Inc.**, Seattle, WA (US)
- (\*\*) Term: **15 Years**
- (21) Appl. No.: **29/588,568**
- (22) Filed: **Dec. 21, 2016**
- (51) **LOC (12) Cl.** ..... **16-05**
- (52) **U.S. Cl.**  
USPC ..... **D16/245**; D16/242
- (58) **Field of Classification Search**  
USPC ..... D8/374, 388, 391; D11/205, 222–224, D11/230, 231; D19/79; D20/10, 42–43; D23/259–262  
CPC ..... F16M 13/00; F16M 9/00; G02B 23/16  
See application file for complete search history.

- D746,350 S \* 12/2015 Li ..... D16/203
  - D755,880 S \* 5/2016 Luo ..... D16/214
  - D764,896 S \* 8/2016 Partridge ..... H02G 13/00  
D8/349
  - D800,598 S \* 10/2017 Hata ..... D11/130
  - D800,824 S \* 10/2017 Jacob ..... H04N 5/2251  
D16/245
  - D821,859 S \* 7/2018 Artino ..... D8/387
  - 10,081,949 B2 \* 9/2018 Honein ..... E04F 11/1804
- (Continued)

**OTHER PUBLICATIONS**

Abba Patio 50 lbs Round Patio Base: Published Apr. 19, 2017 [online], site visited Aug. 2, 2019. Available from Internet URL: [https://www.amazon.com/dp/B06XKQR5Q8/ref=cm\\_sw\\_r\\_tw\\_dp\\_U\\_x\\_2djrDbPDAM7KN](https://www.amazon.com/dp/B06XKQR5Q8/ref=cm_sw_r_tw_dp_U_x_2djrDbPDAM7KN) (Year: 2017).\*

(Continued)

*Primary Examiner* — Michael C Stout  
*Assistant Examiner* — Melvin L Davis  
(74) *Attorney, Agent, or Firm* — Lee & Hayes, P.C.

(57) **CLAIM**

The ornamental design for a base for a device, as shown and described.

**DESCRIPTION**

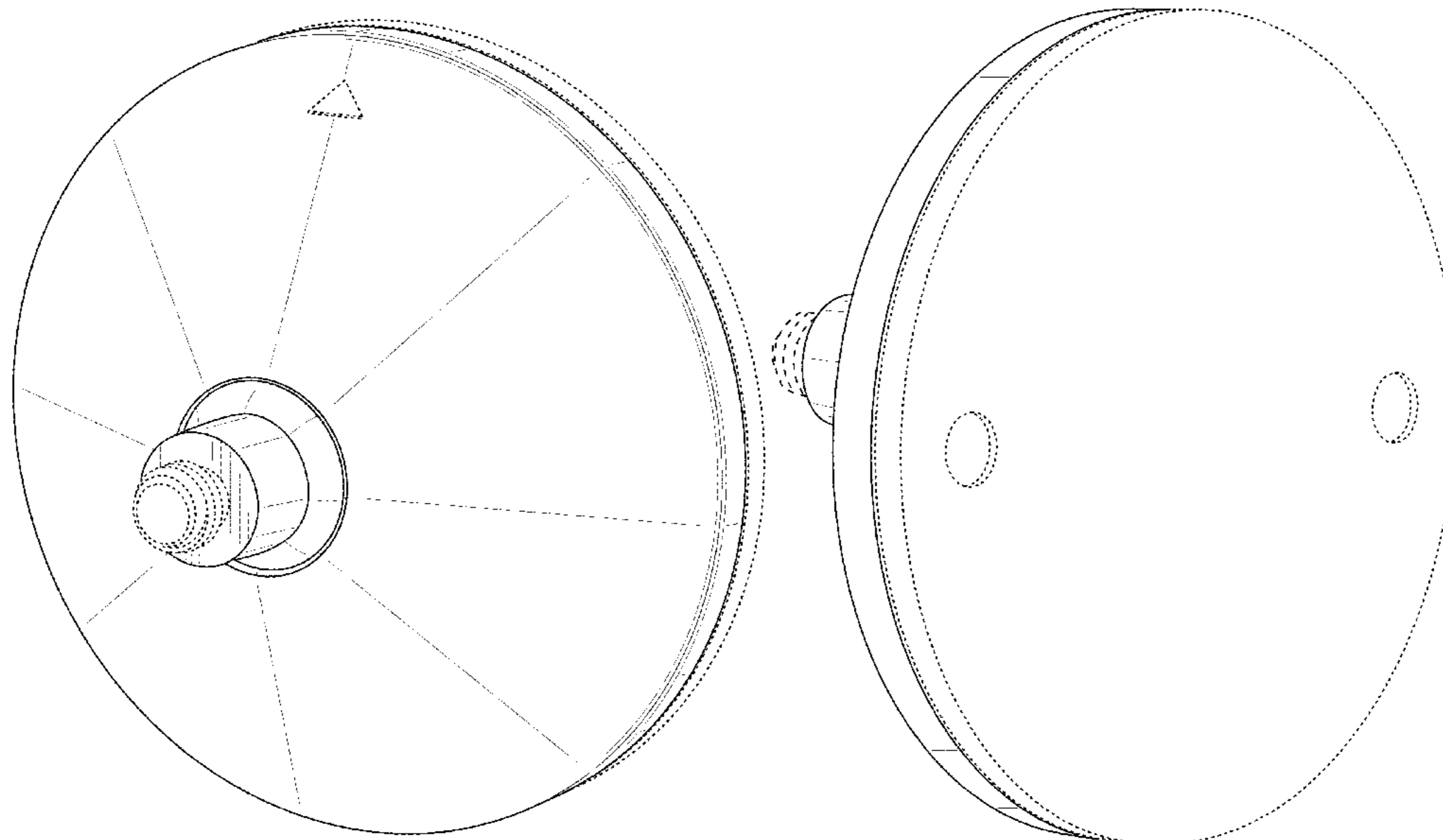
FIG. 1 is a front perspective view of a base for a device; FIG. 2 is a back perspective view thereof; FIG. 3 is a bottom view thereof; FIG. 4 is a top view thereof; FIG. 5 is a left-side thereof; FIG. 6 is a right-side view thereof; FIG. 7 is a front view thereof; and, FIG. 8 is a back view thereof. The broken lines depict environment of a base for a device and portions of the base for the device that form no part of the claimed design.

**1 Claim, 8 Drawing Sheets**

(56) **References Cited**

**U.S. PATENT DOCUMENTS**

- D275,868 S \* 10/1984 Ake ..... D20/43
- D311,933 S \* 11/1990 Adams ..... D20/43
- D359,052 S \* 6/1995 Nagele ..... D14/253
- D362,048 S \* 9/1995 Lang ..... D23/262
- D363,767 S \* 10/1995 Swaim ..... D23/260
- D376,713 S \* 12/1996 Kelso ..... D6/709.18
- D426,146 S \* 6/2000 Bruns ..... D8/387
- D479,065 S \* 9/2003 Verbeek ..... D6/710
- D490,694 S \* 6/2004 Levine-Umans ..... D8/363
- D641,435 S \* 7/2011 Coote ..... D21/694
- D647,183 S \* 10/2011 Bertram ..... D23/260



(56)

**References Cited**

U.S. PATENT DOCUMENTS

2007/0152117 A1\* 7/2007 Byrd ..... F16M 11/08  
248/187.1

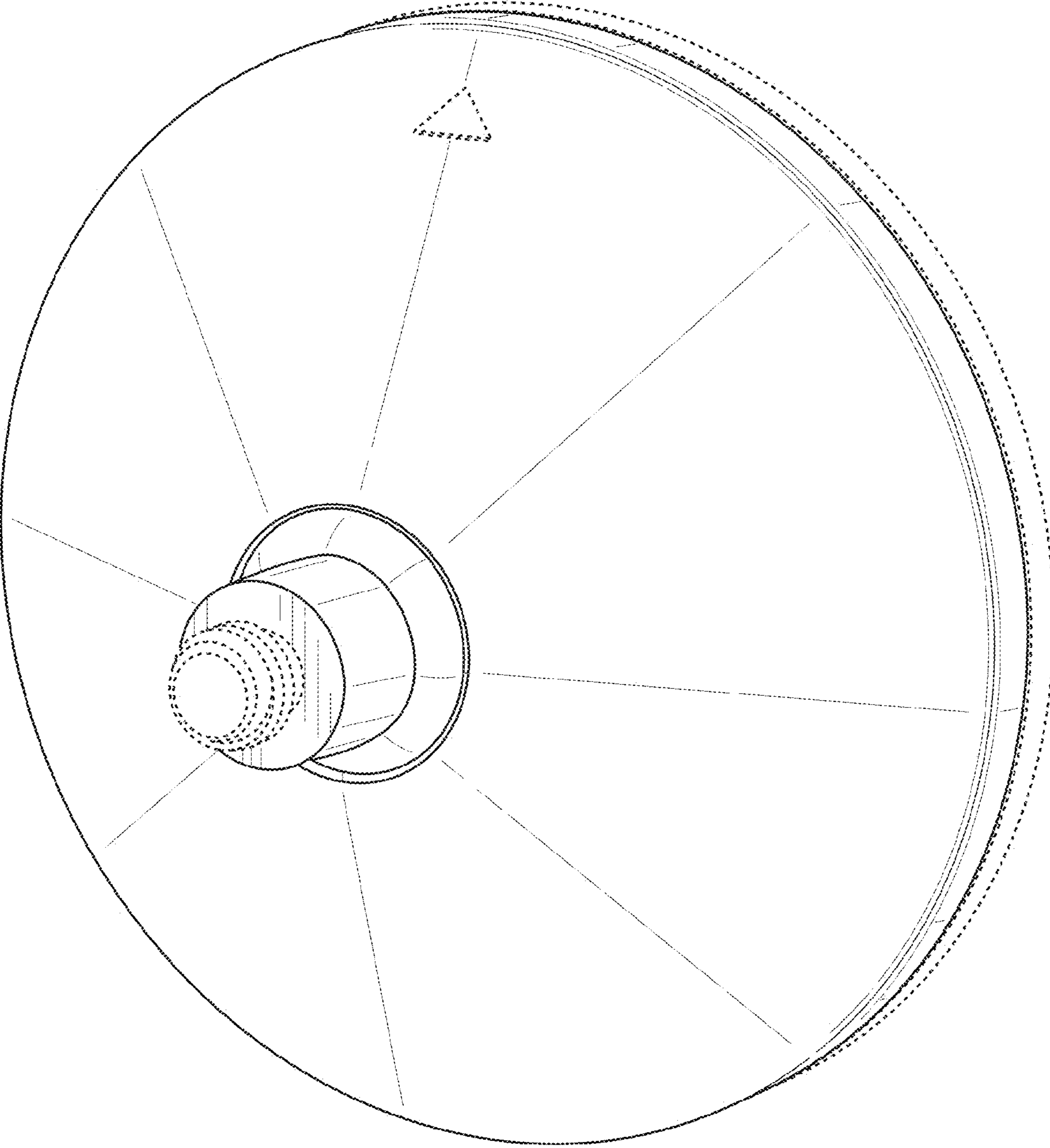
OTHER PUBLICATIONS

US Flag Store AWHFB Weighted Hand Base: Published Sep. 2, 2014[online], site visited Aug. 2, 2014. Available from Internet URL: [[https://www.amazon.com/dp/B00N9CDFSA/ref=cm\\_sw\\_r\\_tw\\_dp\\_U\\_x\\_HKfrDbAZCEK1A](https://www.amazon.com/dp/B00N9CDFSA/ref=cm_sw_r_tw_dp_U_x_HKfrDbAZCEK1A)] (Year: 2014).\*

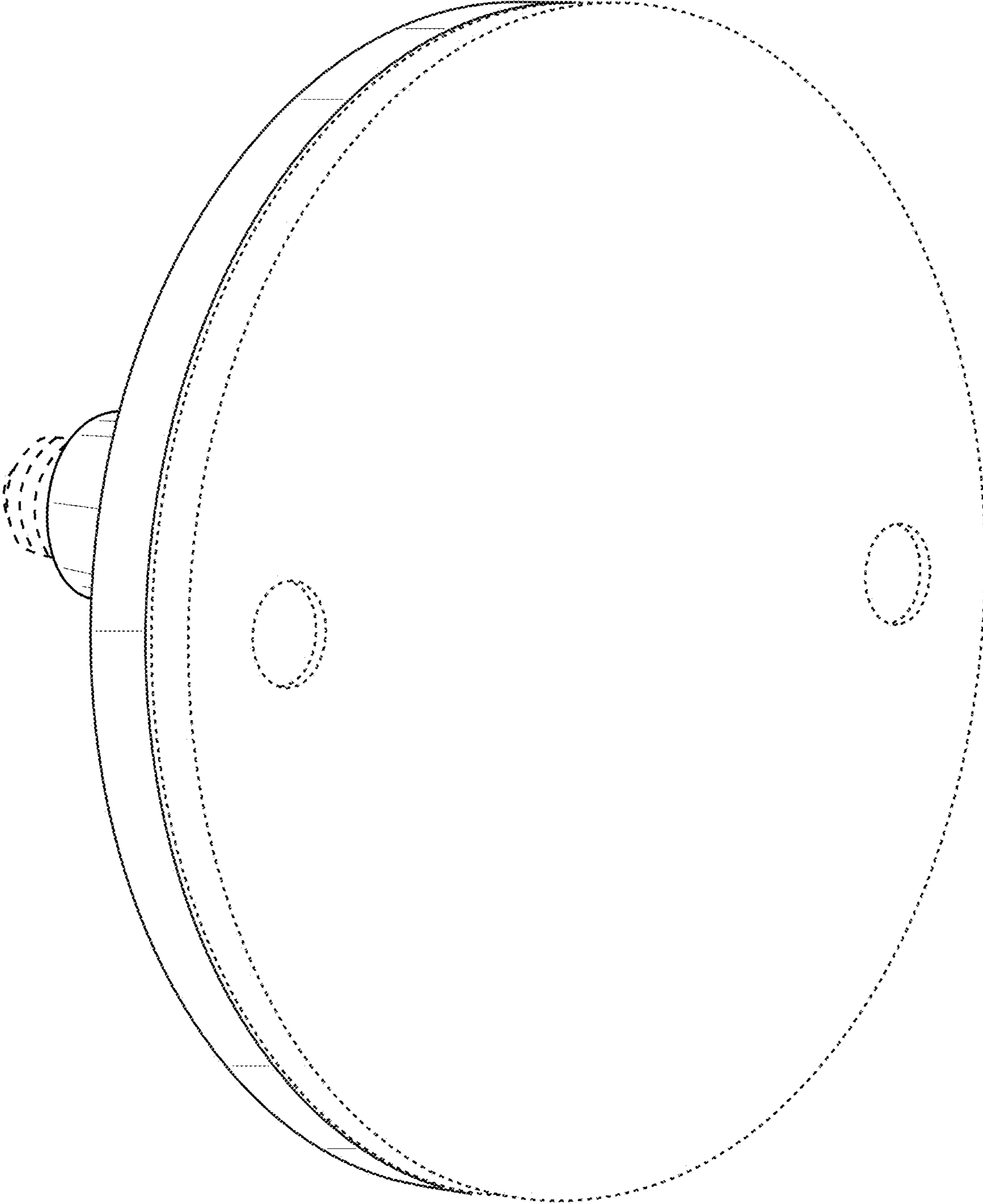
AmazonBasics Umbrella Base Stand: Published Mar. 12, 2019[online], site visited Aug. 6, 2019. Available from Internet URL: [https://www.amazon.com/dp/B07FCPTV2W/ref=cm\\_sw\\_r\\_tw\\_dp\\_U\\_x\\_7DjrDb42VFSVQ](https://www.amazon.com/dp/B07FCPTV2W/ref=cm_sw_r_tw_dp_U_x_7DjrDb42VFSVQ) (Year: 2019).\*

K&M 23220: Published Apr. 23, 2014 [online], site visited Dec. 19, 2019. Available from Internet URL: [https://www.thomann.de/gb/km\\_23220\\_rundsockel.htm](https://www.thomann.de/gb/km_23220_rundsockel.htm) (Year: 2014).\*

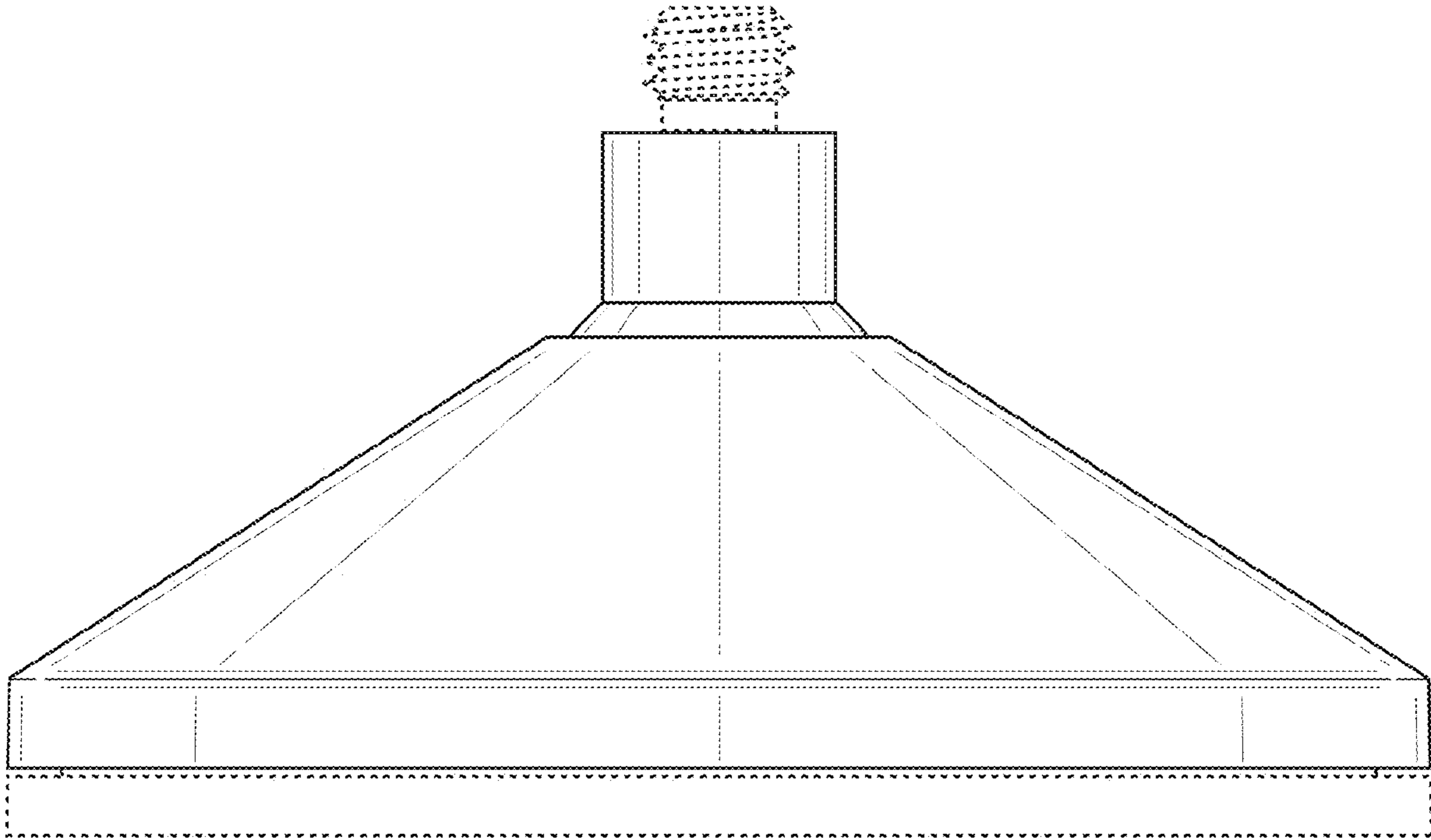
\* cited by examiner



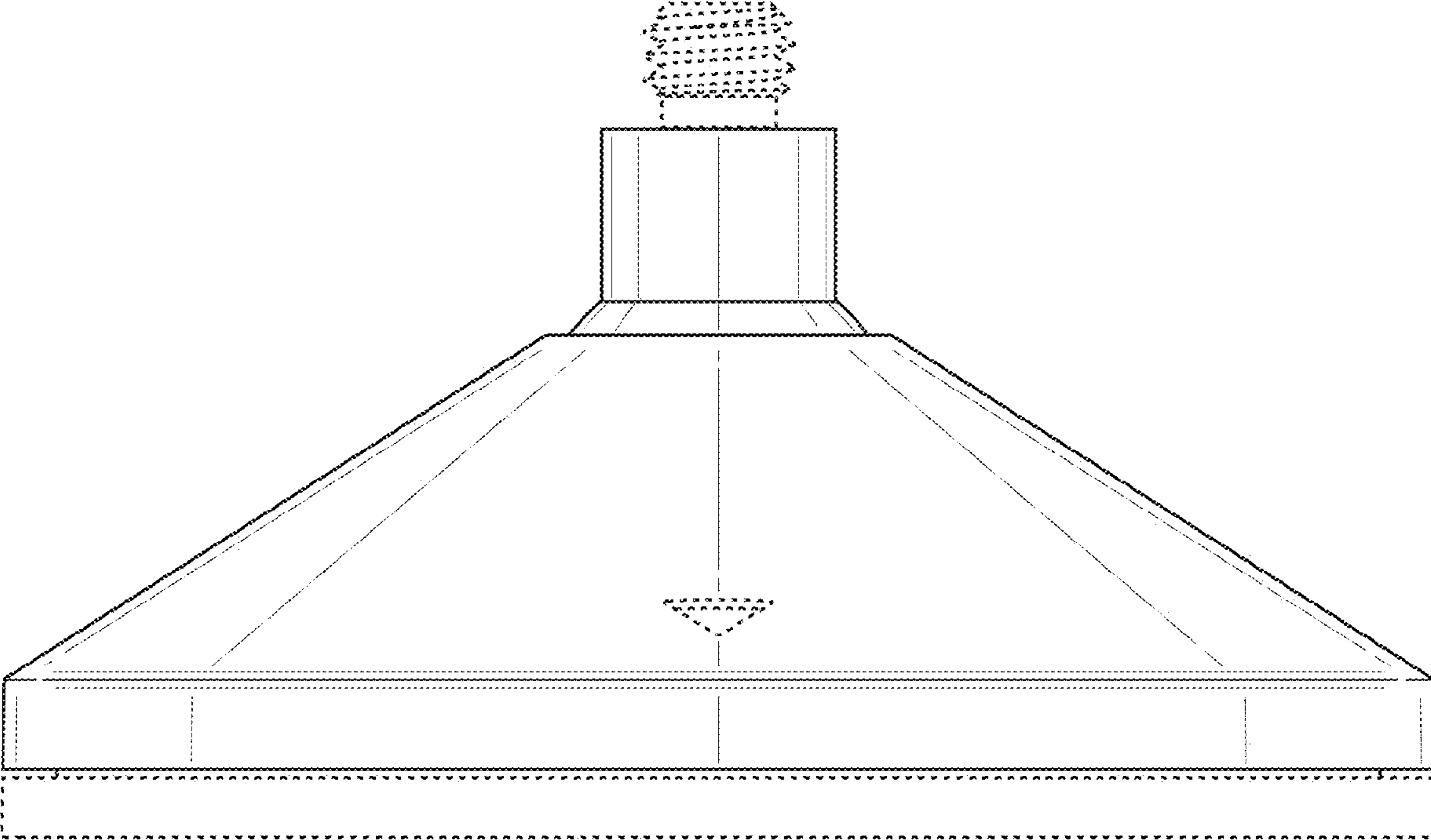
**FIG. 1**



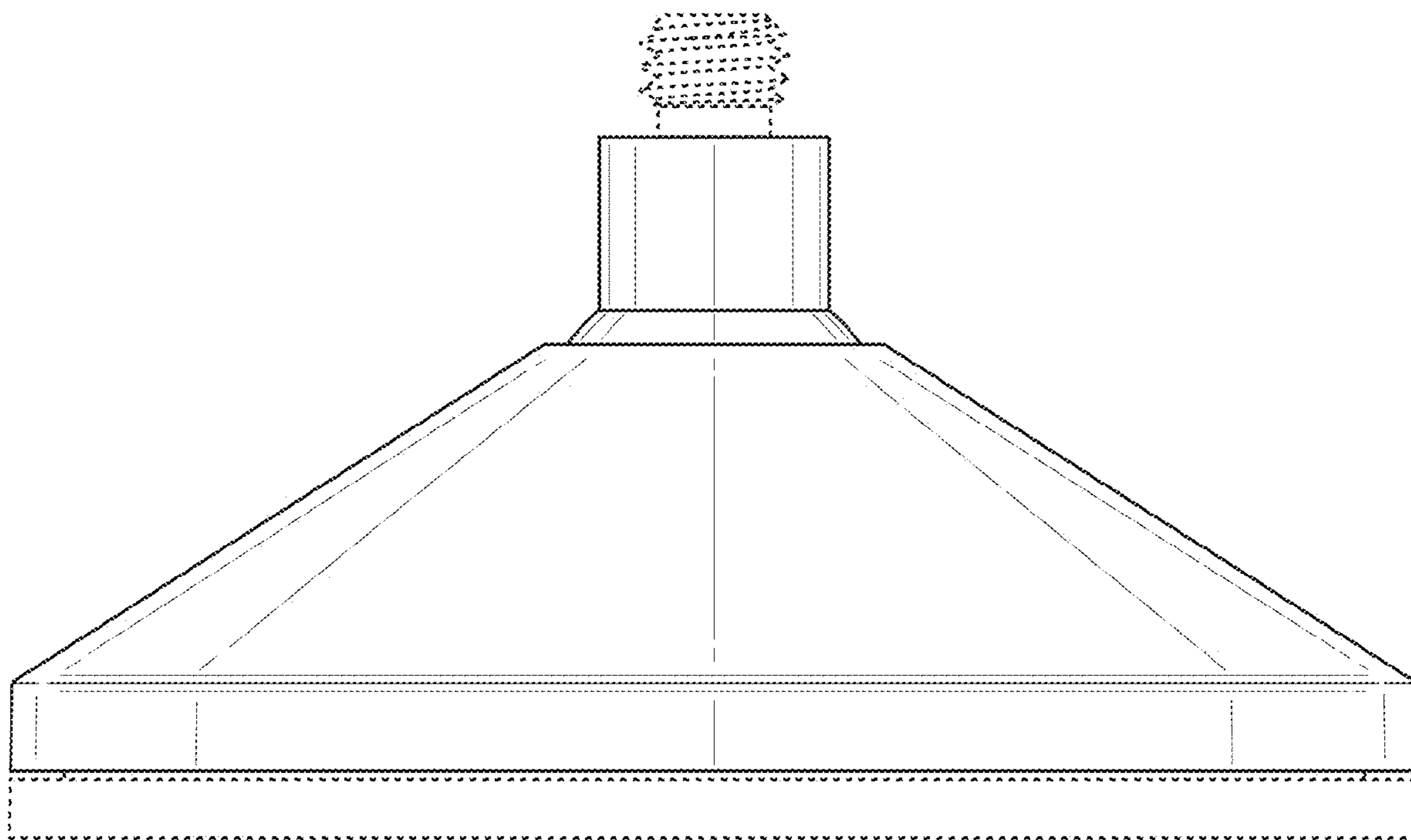
**FIG. 2**



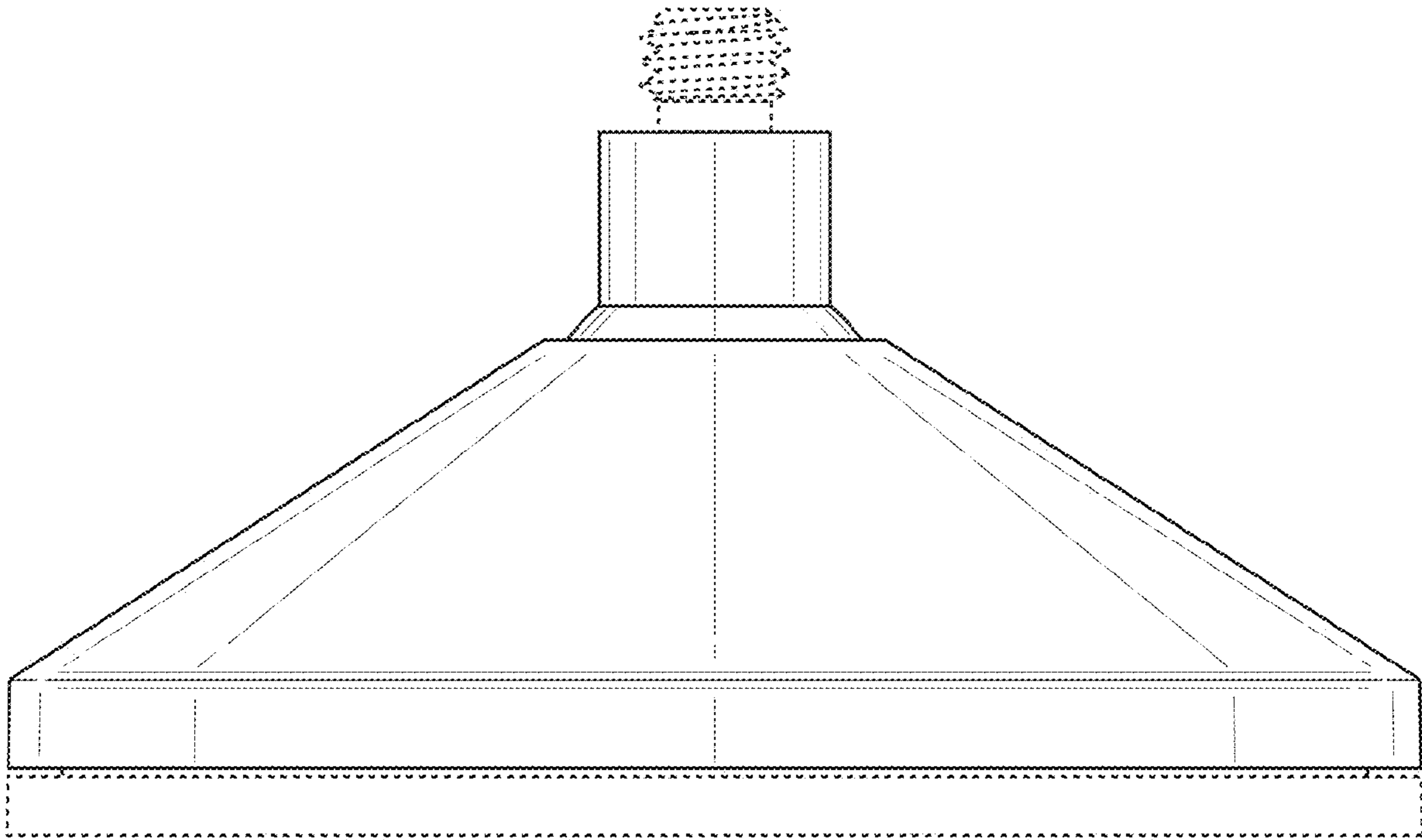
**FIG. 3**



**FIG. 4**

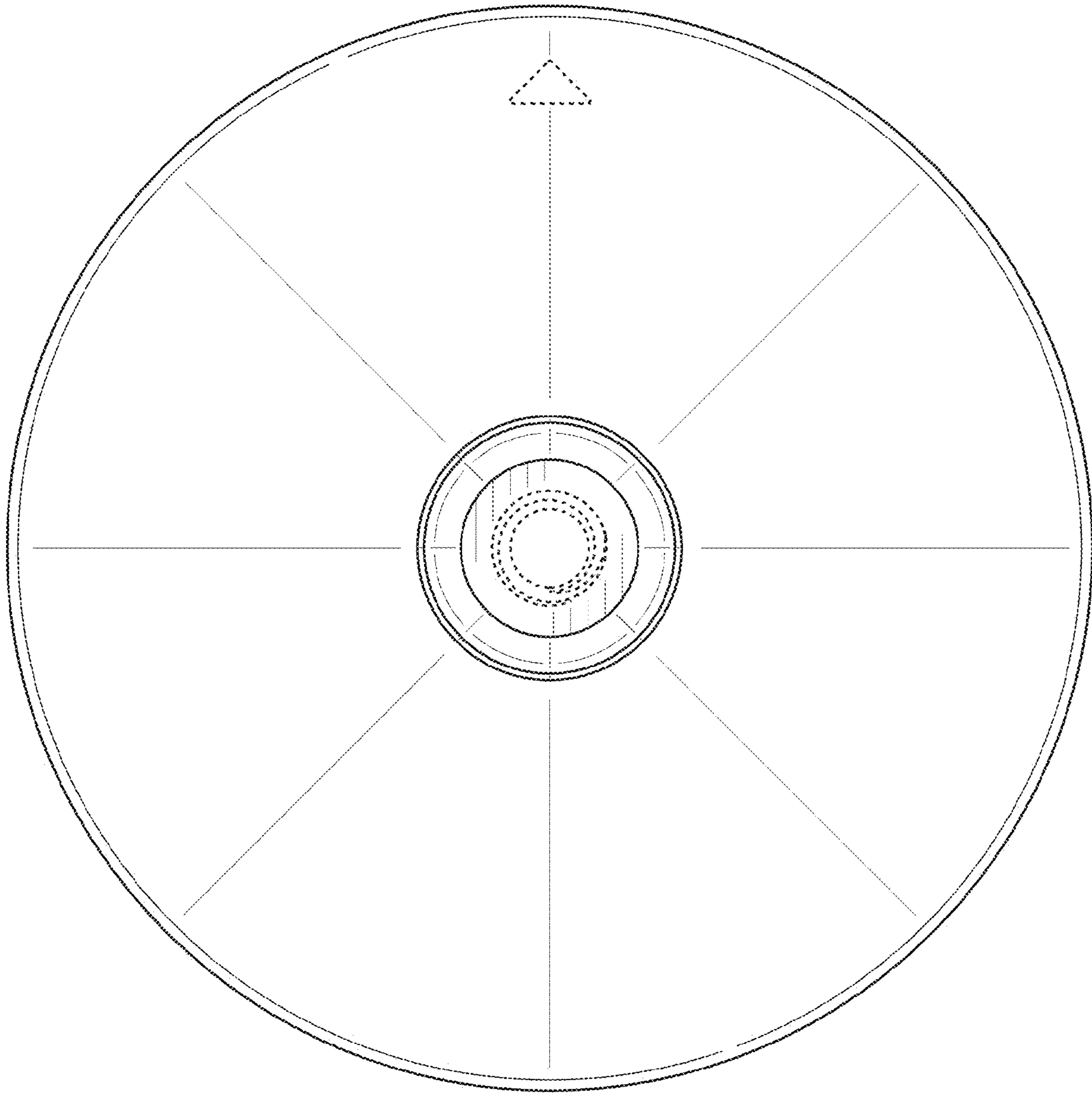


**FIG. 5**

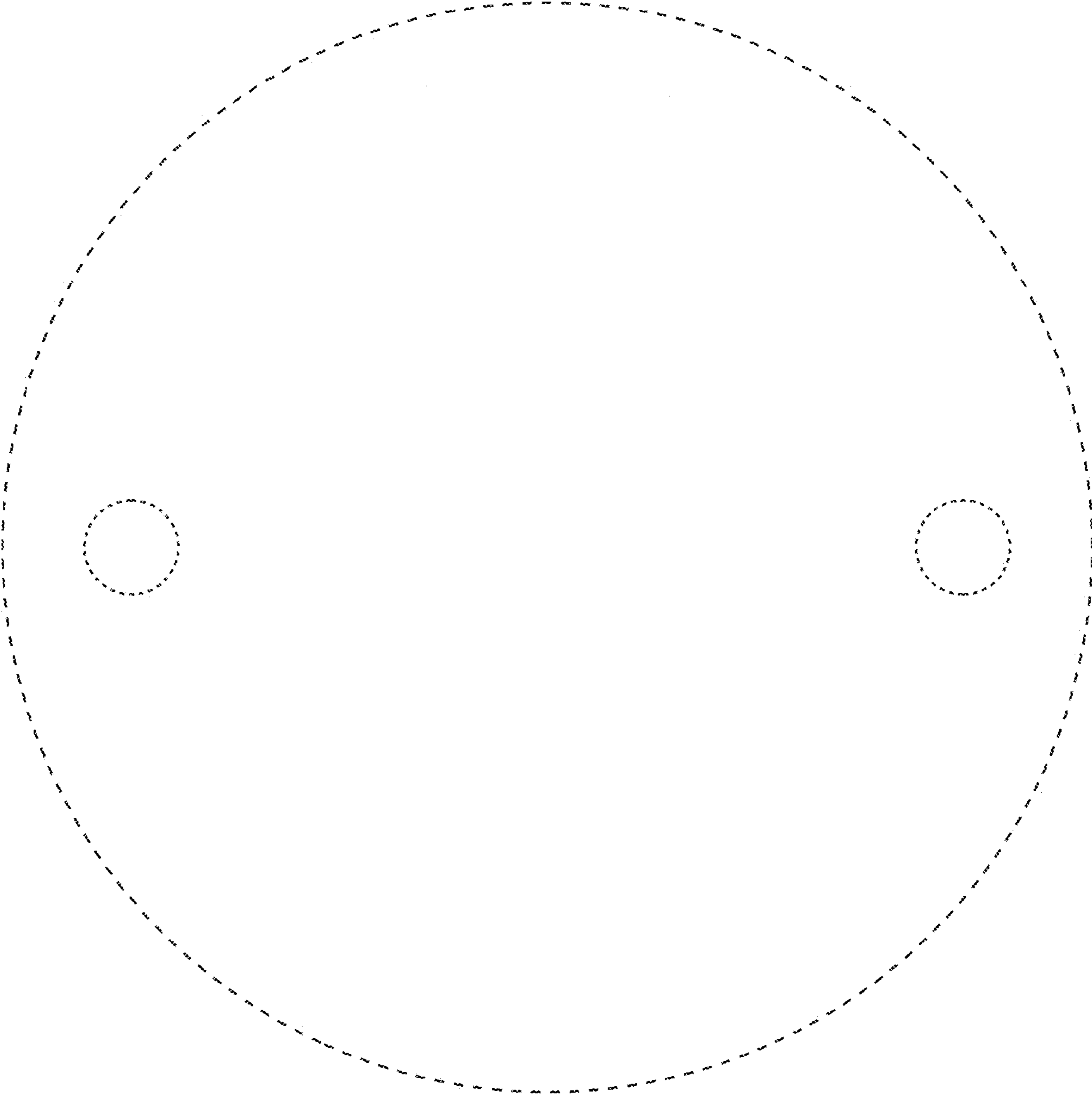


**FIG. 6**





**FIG. 7**



**FIG. 8**