



US00D898806S

(12) **United States Design Patent** (10) **Patent No.:** **US D898,806 S**
De Vries (45) **Date of Patent:** **** Oct. 13, 2020**

(54) **WEBCAM COVER**
(71) Applicant: **SECUFERRO B.V.**, Haarlem (NL)
(72) Inventor: **Simon Siebren De Vries**, Haarlem (NL)
(73) Assignee: **SECUFERRO B.V.**, Haarlem (NL)
(**) Term: **15 Years**

D810,180 S * 2/2018 Gustaveson, II G03B 11/041
D16/237
D816,149 S * 4/2018 Dalton D16/237
D836,154 S * 12/2018 Gustaveson, II D16/237
D837,279 S * 1/2019 Penn D16/237
D839,946 S * 2/2019 De Vries D16/237
10,317,776 B2 * 6/2019 Gustaveson, II G03B 11/043
D859,387 S * 9/2019 Chung D14/250
D864,279 S * 10/2019 Wang D16/237
D868,136 S * 11/2019 Tadmor D16/237

(Continued)

(21) Appl. No.: **29/681,098**

(22) Filed: **Feb. 22, 2019**

(30) **Foreign Application Priority Data**

Aug. 23, 2018 (EM) 005618345

(51) **LOC (12) Cl.** **16-05**

(52) **U.S. Cl.**
USPC **D16/237**

(58) **Field of Classification Search**
USPC D16/219, 237-250; D8/354, 355, 363,
D8/373, 382-383, 394-396; D14/224,
D14/229, 238, 251, 253, 356, 447, 451,
D14/457

CPC A45F 5/00; A45F 5/10; A45F
2200/0508-0533; F16M 11/06-10; F16M
11/14; G02B 7/00-002; G03B 17/56;
G03B 17/561-566; H04N 5/2253-2254

See application file for complete search history.

(56) **References Cited**

U.S. PATENT DOCUMENTS

D669,112 S * 10/2012 Gustaveson G03B 11/041
D16/237
D763,843 S * 8/2016 Gustaveson, II D14/250
D782,562 S * 3/2017 Gustaveson, II D16/237
D807,947 S * 1/2018 Gustaveson, II D16/237
D808,457 S * 1/2018 Gustaveson, II D16/237
D810,089 S * 2/2018 Kuo D14/440

OTHER PUBLICATIONS

Customized Ultra Thin Webcam Cover. [online] Retrieved Mar. 27, 2020 from URL: https://www.4allpromos.com/product/ultra-thin-webcam-cover?default-tier=sample&defau.*

(Continued)

Primary Examiner — Vy N Koenig

(74) *Attorney, Agent, or Firm* — Porzio Bromberg & Newman P.C.

(57) **CLAIM**

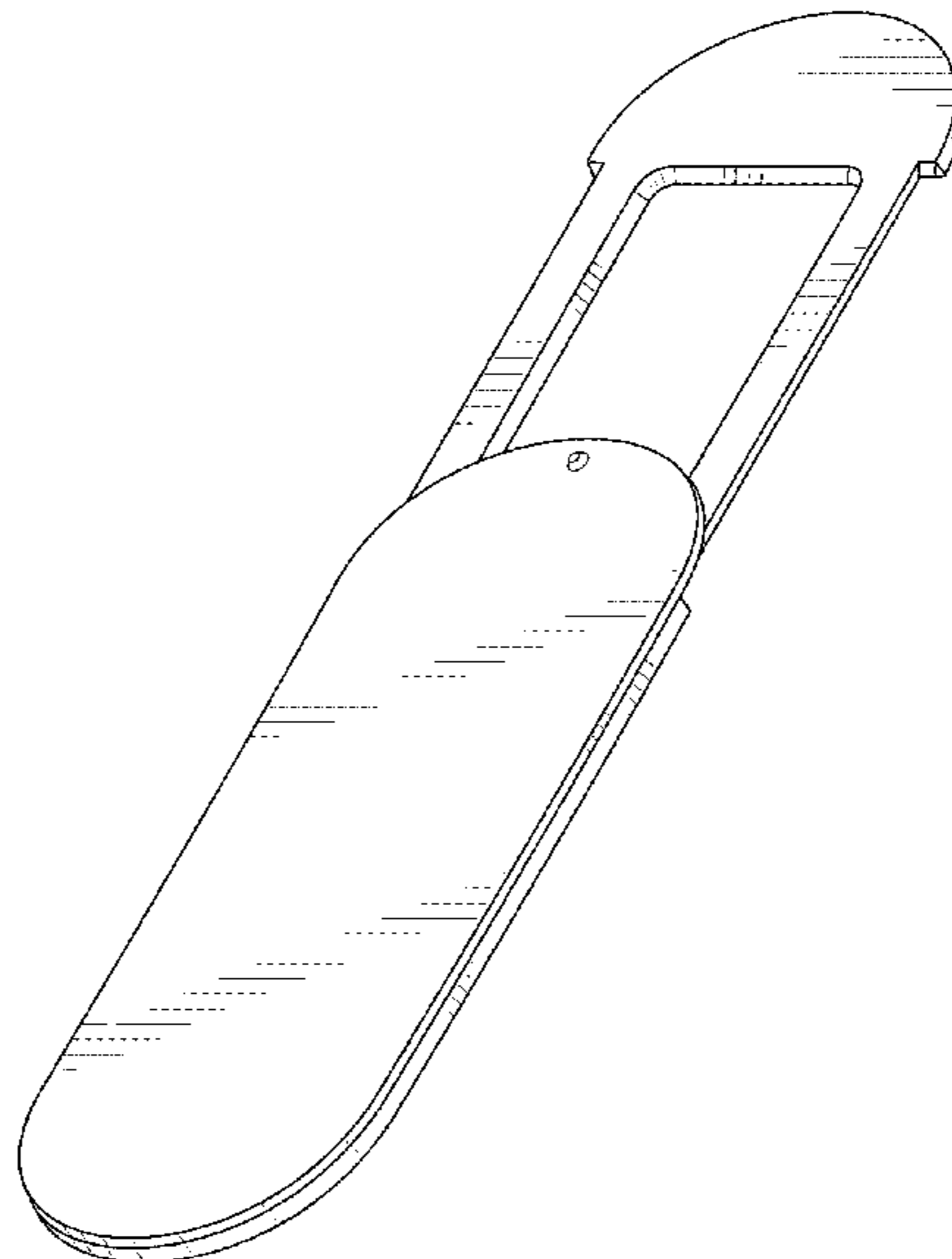
I claim, the ornamental design for a webcam cover, as shown and described.

DESCRIPTION

FIG. 1 is a perspective front and side view of a webcam cover, showing my new design, FIG. 2 is a front view thereof, FIG. 3 is a rear view thereof, FIG. 4 is a side view thereof, FIG. 5 is an end view thereof, FIG. 6 is a perspective front and side view of the webcam cover in an open position; and, FIG. 7 is a rear view of the webcam cover in an open position.

The broken lines in the drawings depict features of the webcam cover that form no part of the claimed design.

1 Claim, 7 Drawing Sheets



(56)

References Cited

U.S. PATENT DOCUMENTS

D873,833 S * 1/2020 Leimer D14/440
2011/0115924 A1* 5/2011 Yu G06F 1/1605
348/207.11
2011/0182029 A1* 7/2011 Wu G06F 1/1686
361/679.55

OTHER PUBLICATIONS

Webcam Cover mit Logodruck. [online] Retrieved Mar. 27, 2020
from URL: <https://www.werbemax.de/werbeartikel/unsere-lieblingsartikel/webcam-cover-mit-logodruck>.
webcamcover-3.png. [online] Retrieved Mar. 27, 2020 from URL:
<https://secuferro.com/wp-content/uploads/2019/01/webcamcover-3.png>.

* cited by examiner

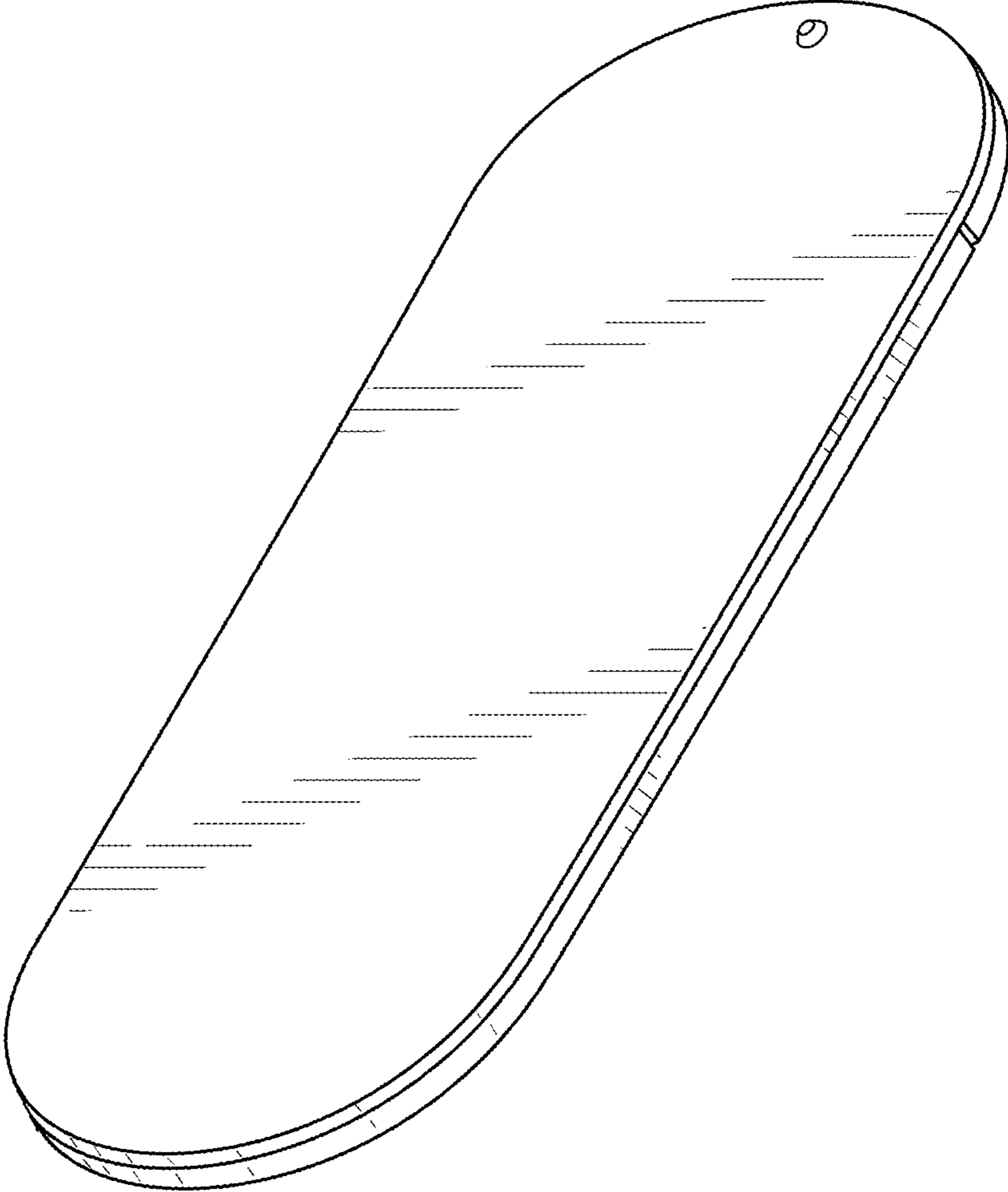


FIG. 1

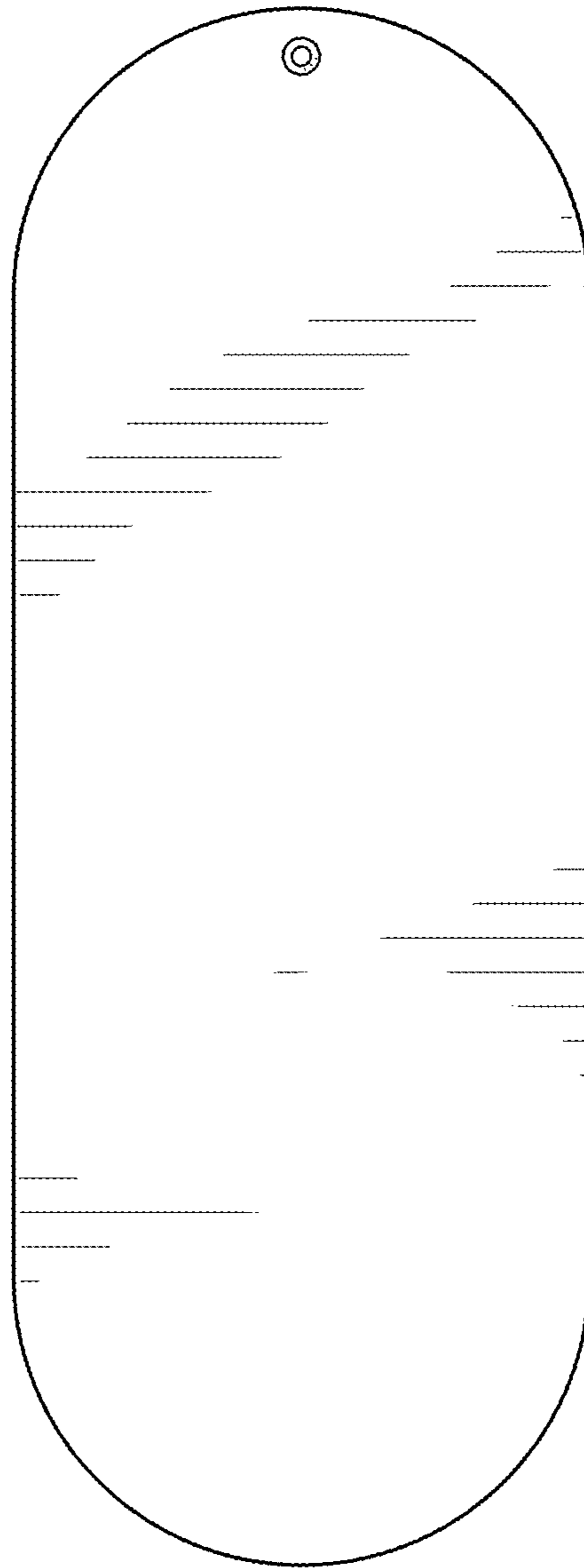


FIG. 2

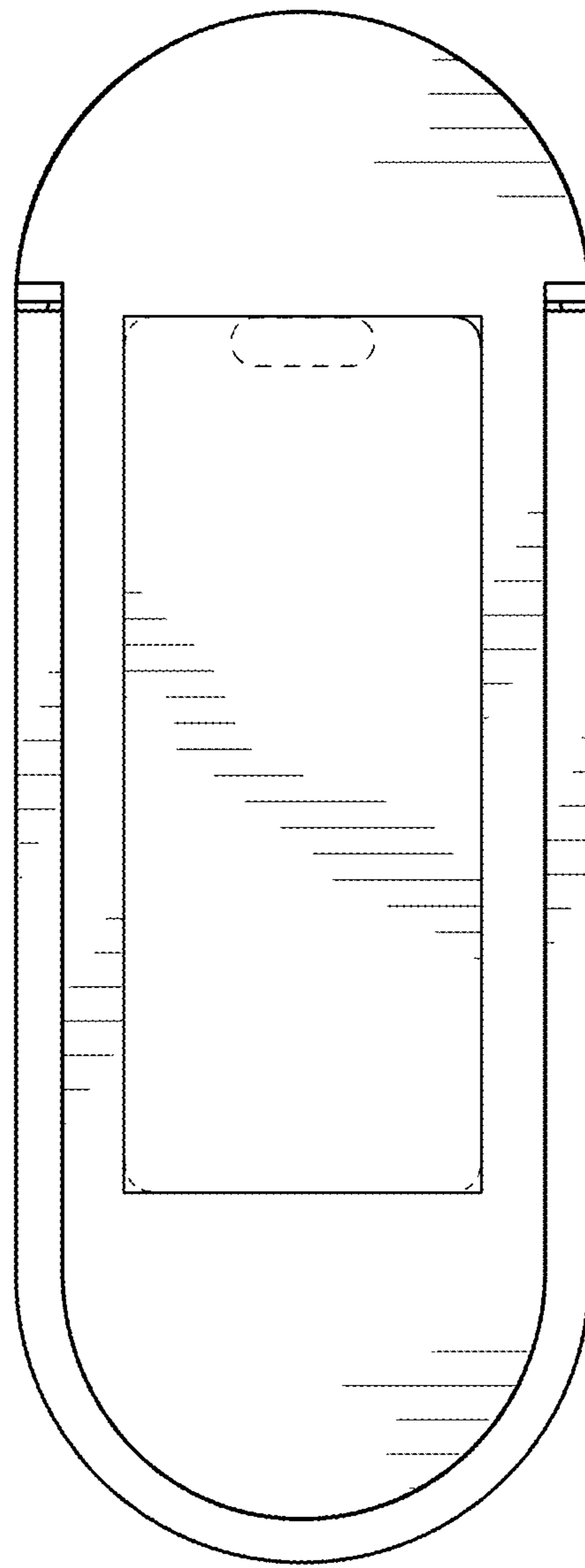


FIG. 3



FIG. 4



FIG. 5

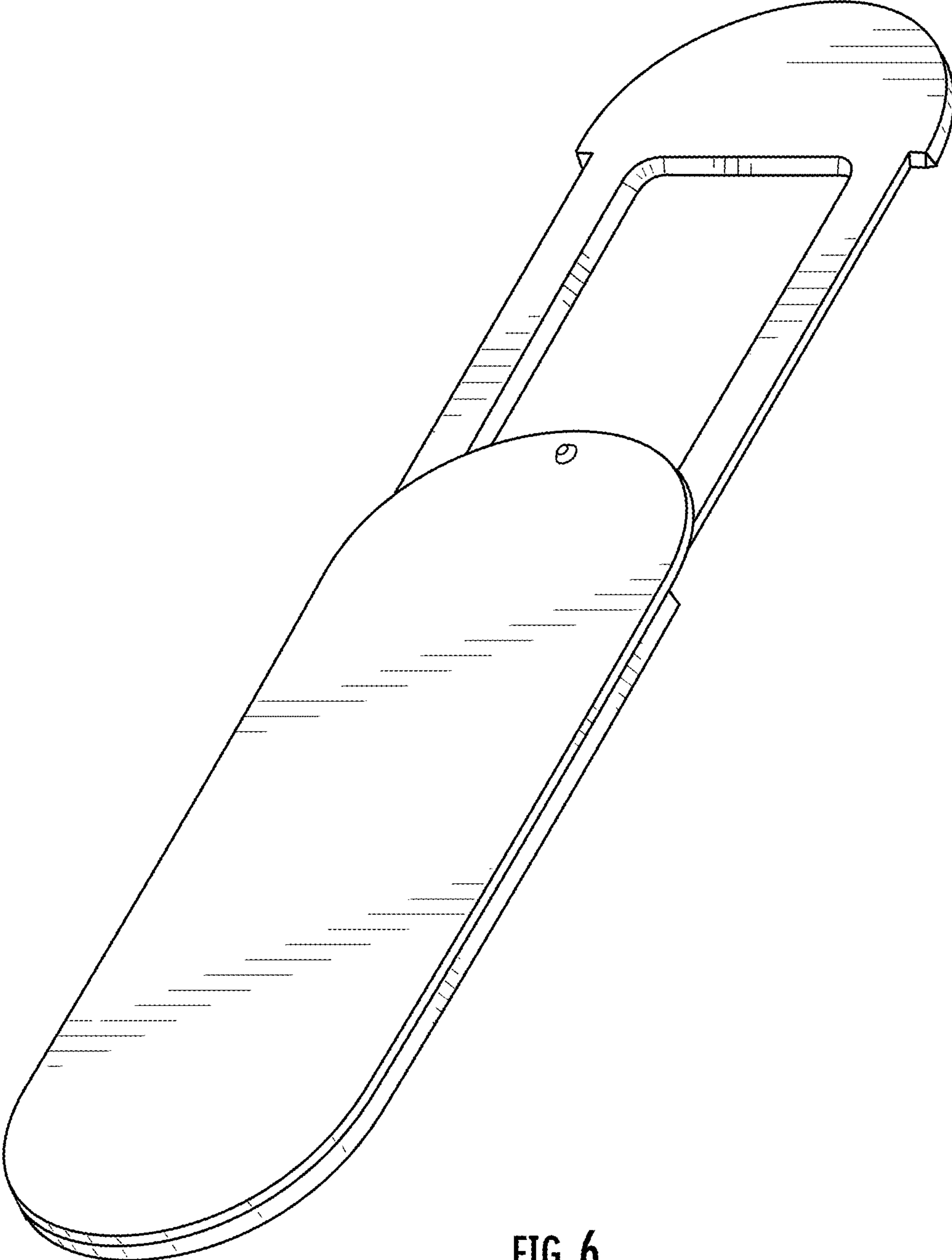


FIG. 6

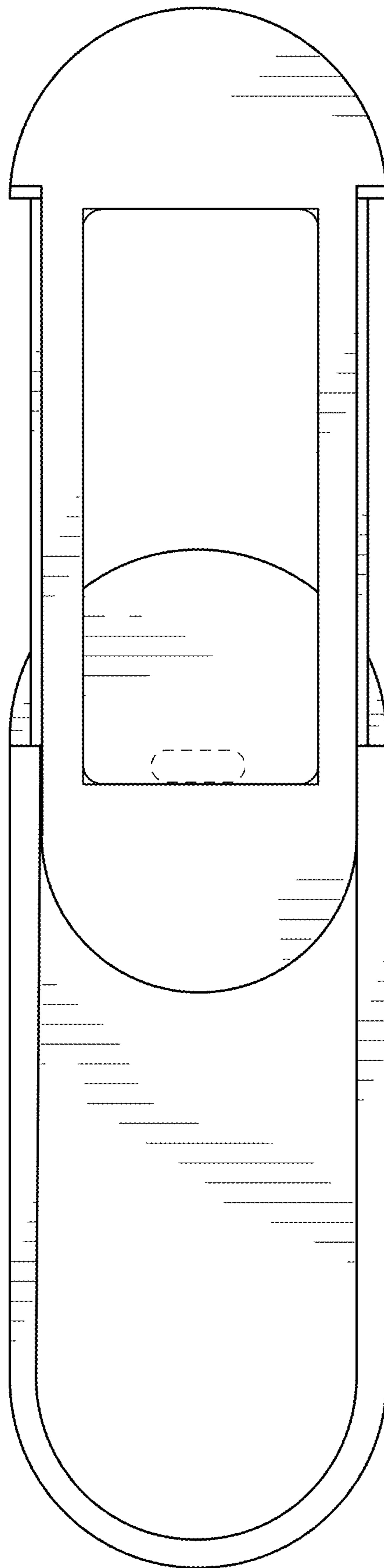


FIG. 7