



US00D898805S

(12) **United States Design Patent**
Lynch et al.

(10) **Patent No.:** **US D898,805 S**

(45) **Date of Patent:** **** Oct. 13, 2020**

(54) **PHOTO BOOTH**

(71) Applicants: **Stephen Lynch**, Gainesville, GA (US);
Teresa Leann Ramey, Gainesville, GA (US)

(72) Inventors: **Stephen Lynch**, Gainesville, GA (US);
Teresa Leann Ramey, Gainesville, GA (US)

(**) Term: **15 Years**

(21) Appl. No.: **29/681,307**

(22) Filed: **Feb. 25, 2019**

(51) **LOC (12) Cl.** **16-05**

(52) **U.S. Cl.**

USPC **D16/219**; D16/215

(58) **Field of Classification Search**

USPC D16/200, 202–204, 208, 211, 218, 219,
D16/221, 225, 229, 232, 242; D14/423;
348/373–376; 396/430, 431, 535,
396/539–541

CPC G03B 17/02; G03B 19/04; G03B 17/56;
G03B 17/04; G03B 15/03; G03B 17/48;
G03B 17/06; H04N 5/2251; H04N
5/2252; H04N 5/2253; H04N 5/2254

See application file for complete search history.

(56) **References Cited**

U.S. PATENT DOCUMENTS

- 5,978,028 A * 11/1999 Yamane H04N 1/195
248/558
- D485,234 S * 1/2004 Katayama D13/108
- D548,763 S * 8/2007 Boris D16/202
- D742,446 S * 11/2015 Ikeda D16/202

- D755,880 S * 5/2016 Luo D16/214
- D772,971 S * 11/2016 Hojo D16/242
- D782,558 S * 3/2017 Tabuchi D16/214
- D810,169 S * 2/2018 Bhattacharya D16/203
- D816,142 S * 4/2018 Song D16/203
- D836,697 S * 12/2018 Zhiyong D16/203
- D865,840 S * 11/2019 White D16/203
- D870,791 S * 12/2019 Hasani D16/203
- D873,889 S * 1/2020 Ruzs D16/203

* cited by examiner

Primary Examiner — Ramzi S Almatrahi

(74) *Attorney, Agent, or Firm* — Asgaard Patent Services, LLC; F. Wayne Thompson, Jr.

(57) **CLAIM**

The ornamental design for a photo booth, as shown and described.

DESCRIPTION

FIG. 1 is a top, front, and right side isometric view of a photo booth;

FIG. 2 is a top, back, and left side isometric view of the photo booth shown in FIG. 1;

FIG. 3 is a front view of the photo booth shown in FIG. 1;

FIG. 4 is a right side view of the photo booth shown in FIG. 1;

FIG. 5 is a back view of the photo booth shown in FIG. 1;

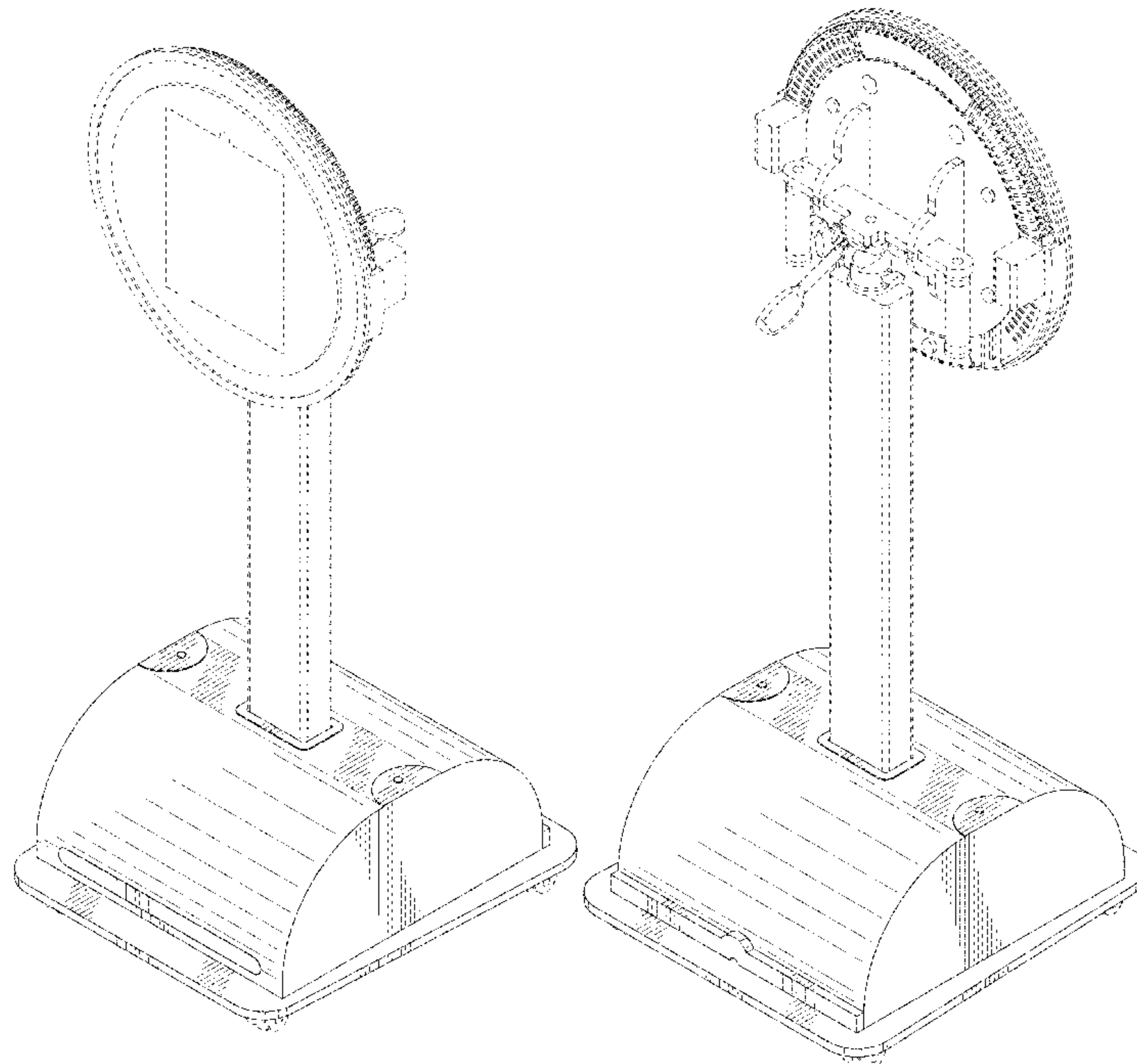
FIG. 6 is a left side view of the photo booth shown in FIG. 1;

FIG. 7 is a top view of the photo booth shown in FIG. 1; and,

FIG. 8 is a bottom view of the photo booth shown in FIG. 1.

The broken lines depict portions of the photo booth, in which the design is embodied, that form no part of the claimed design.

1 Claim, 7 Drawing Sheets



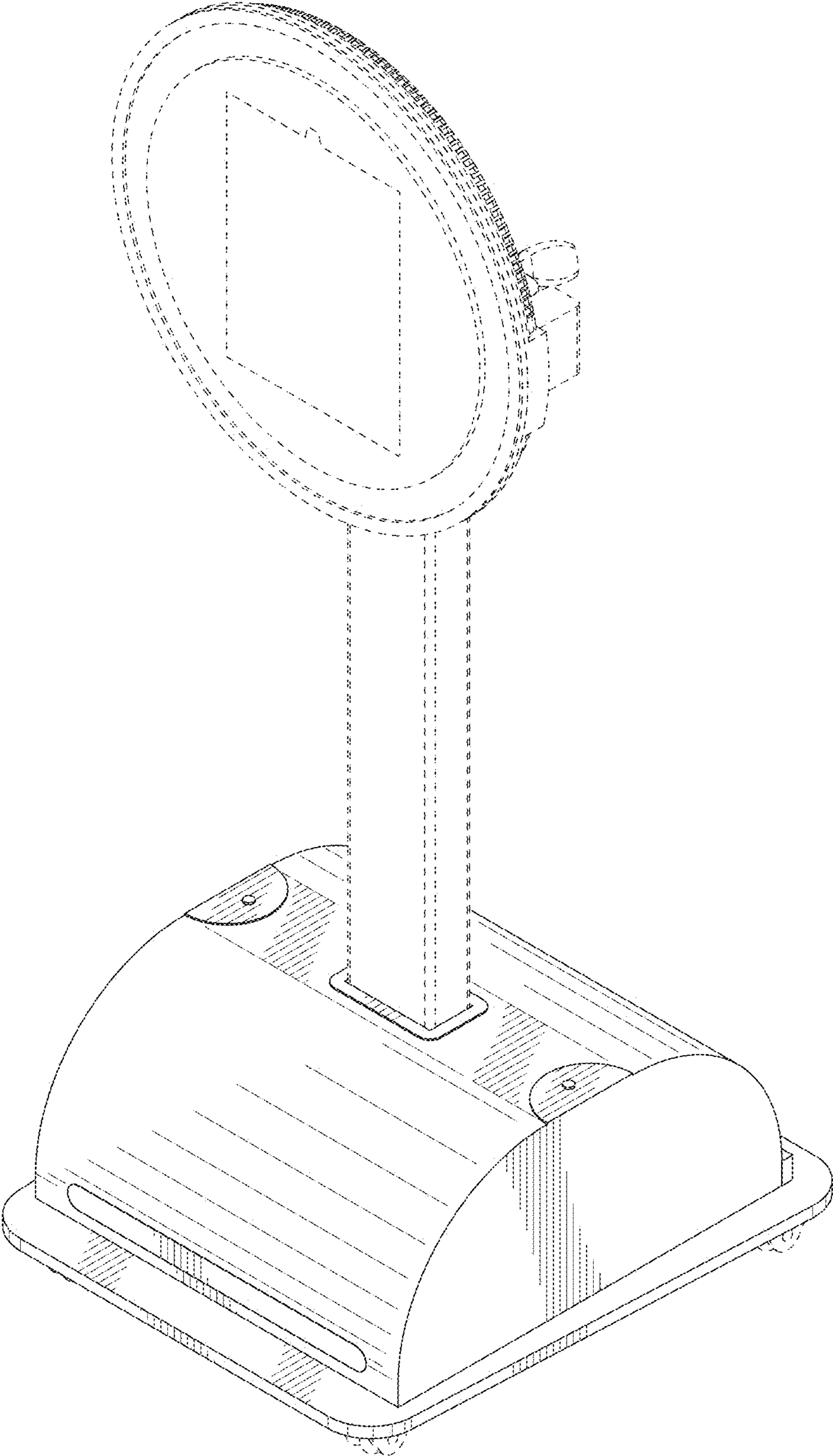


FIG. 1

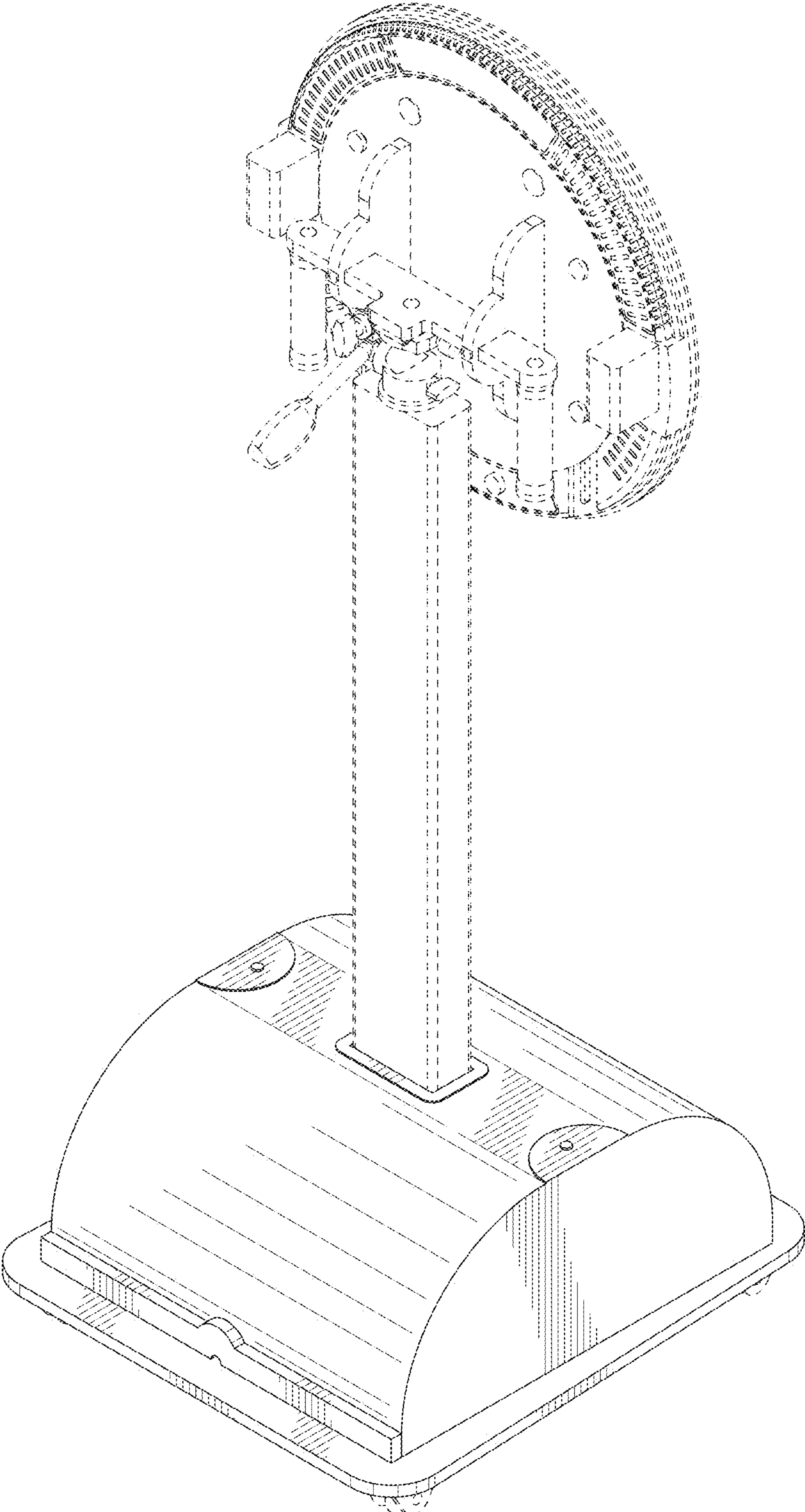


FIG. 2

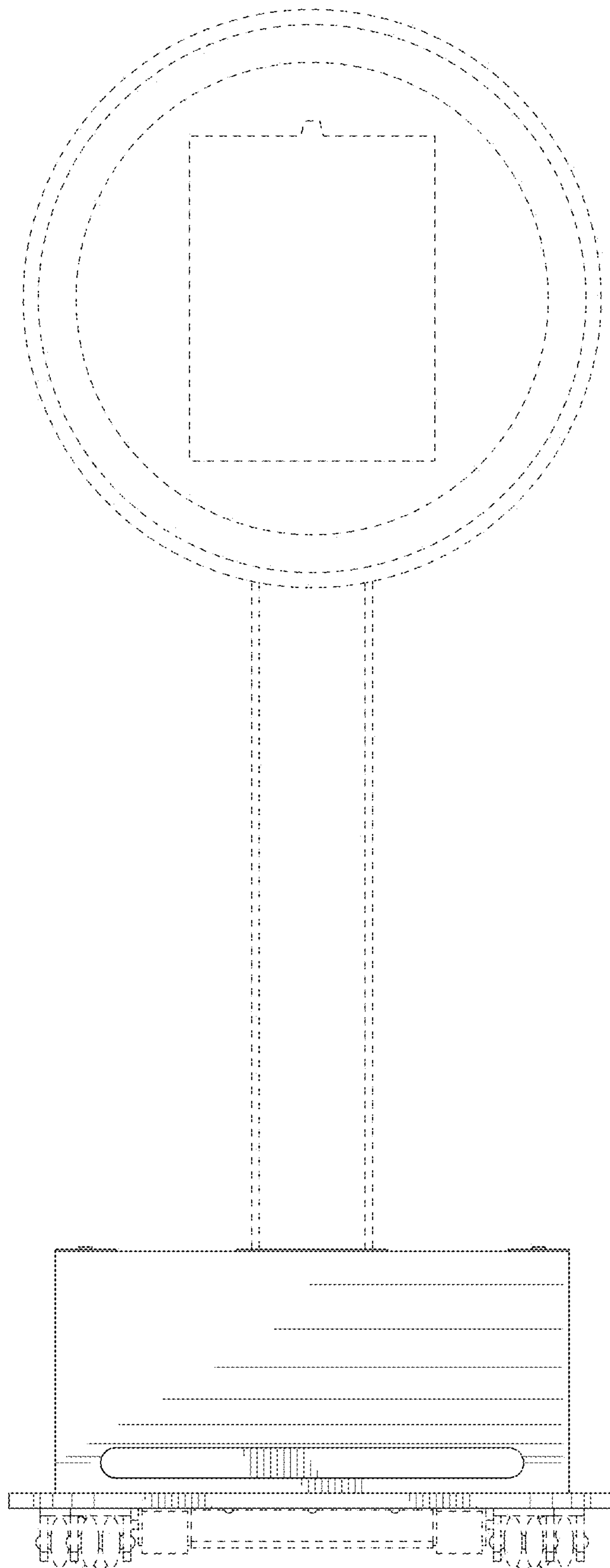


FIG. 3

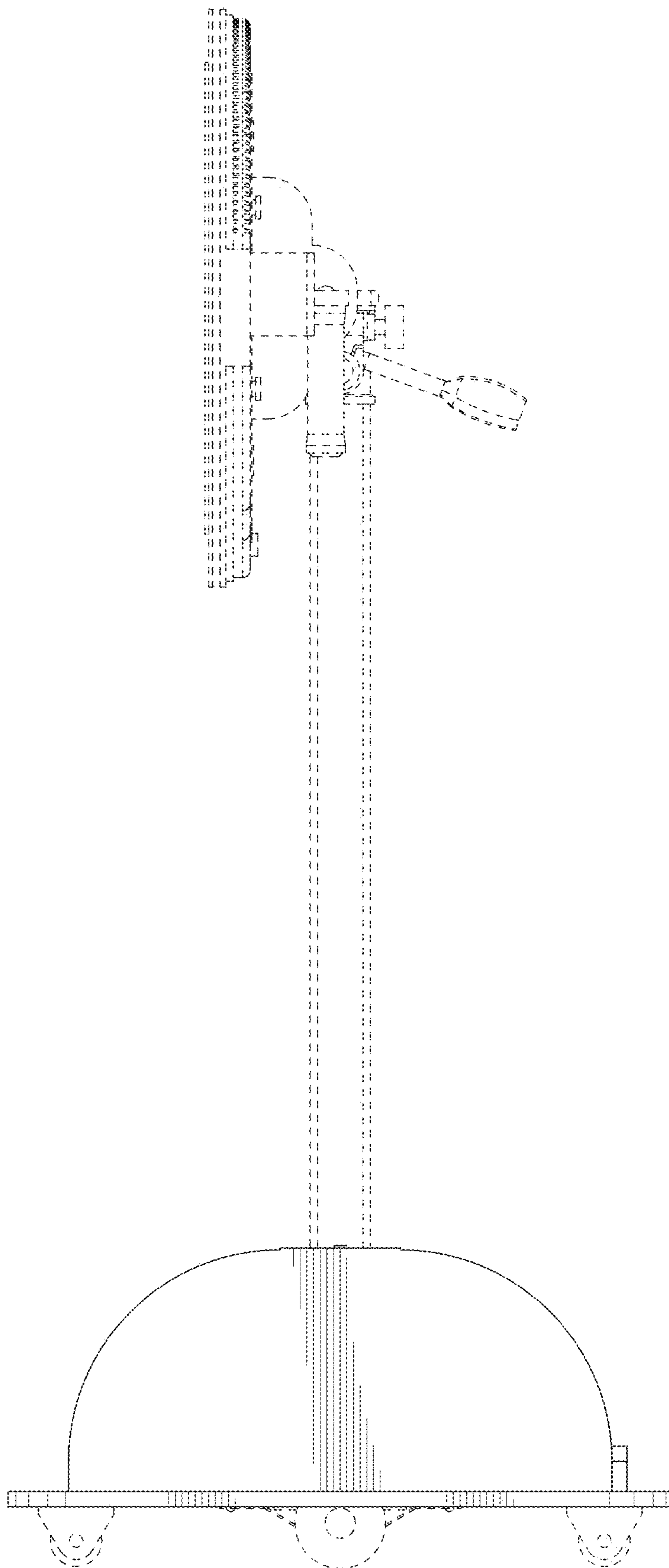


FIG. 4

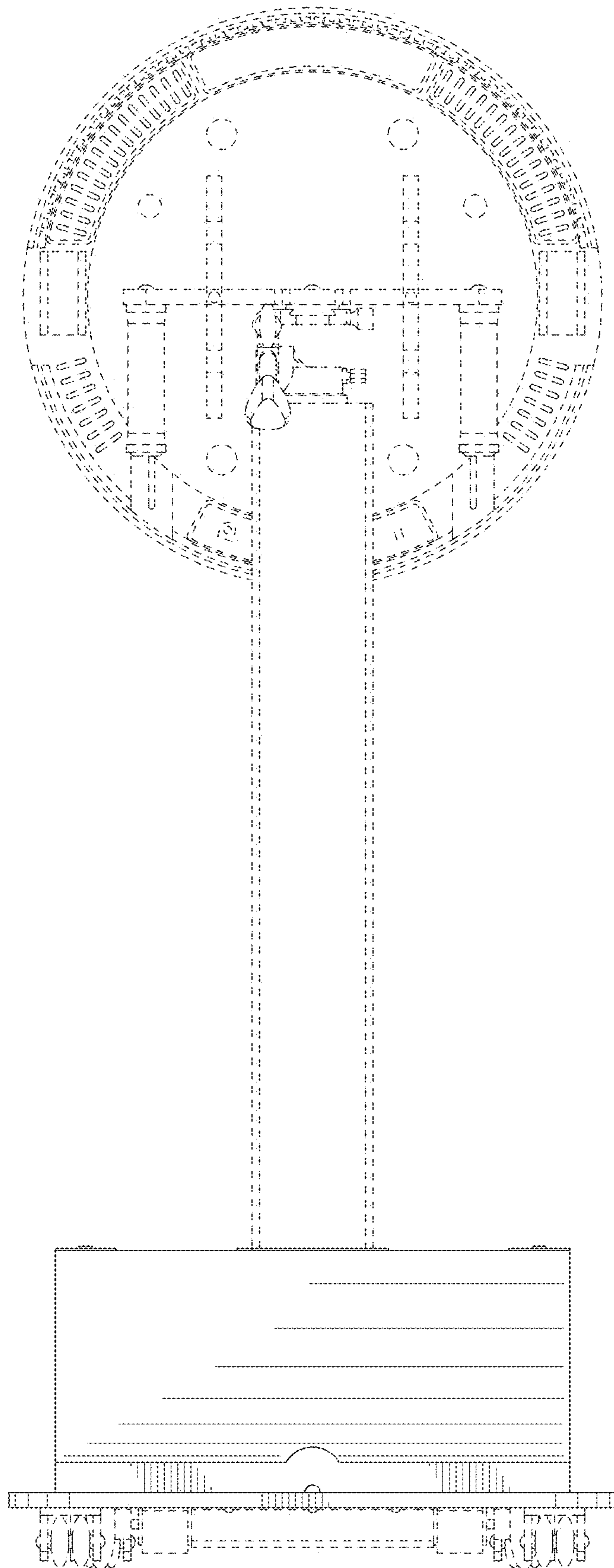


FIG. 5

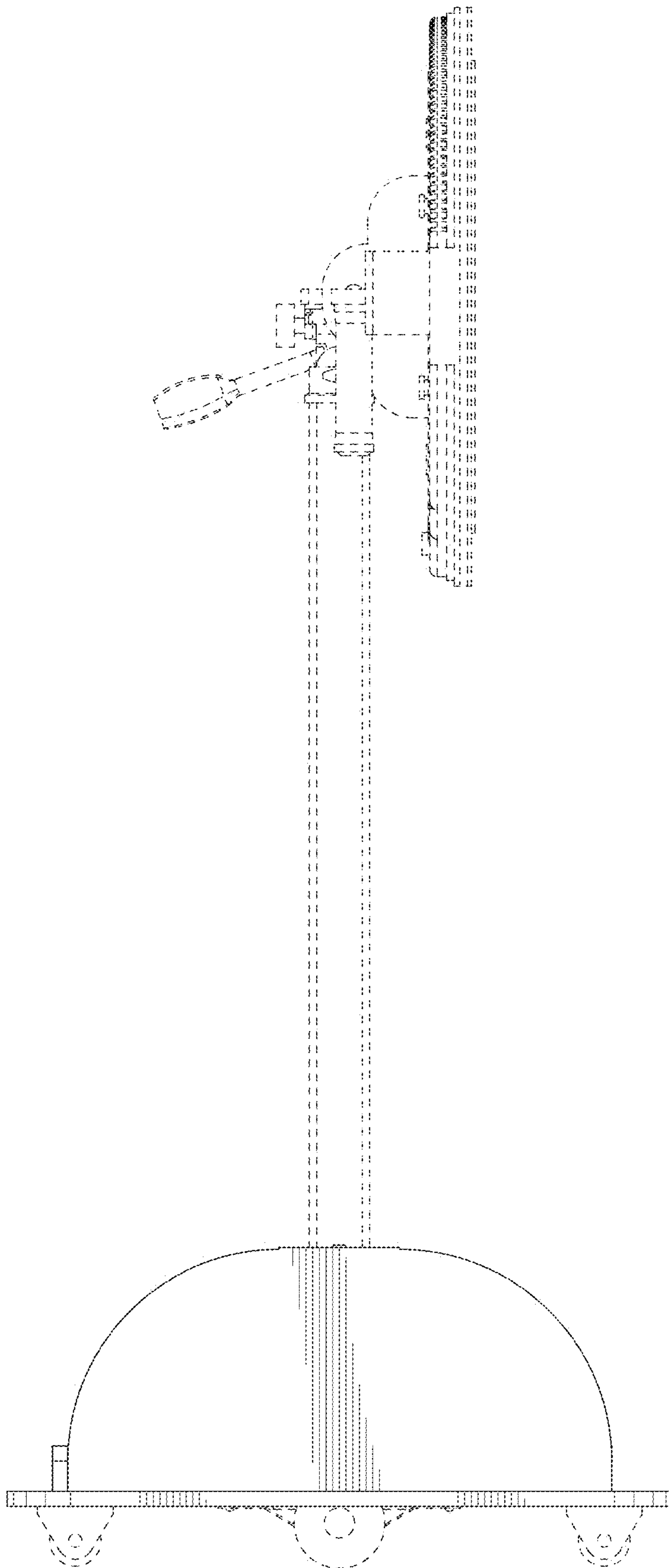


FIG. 6

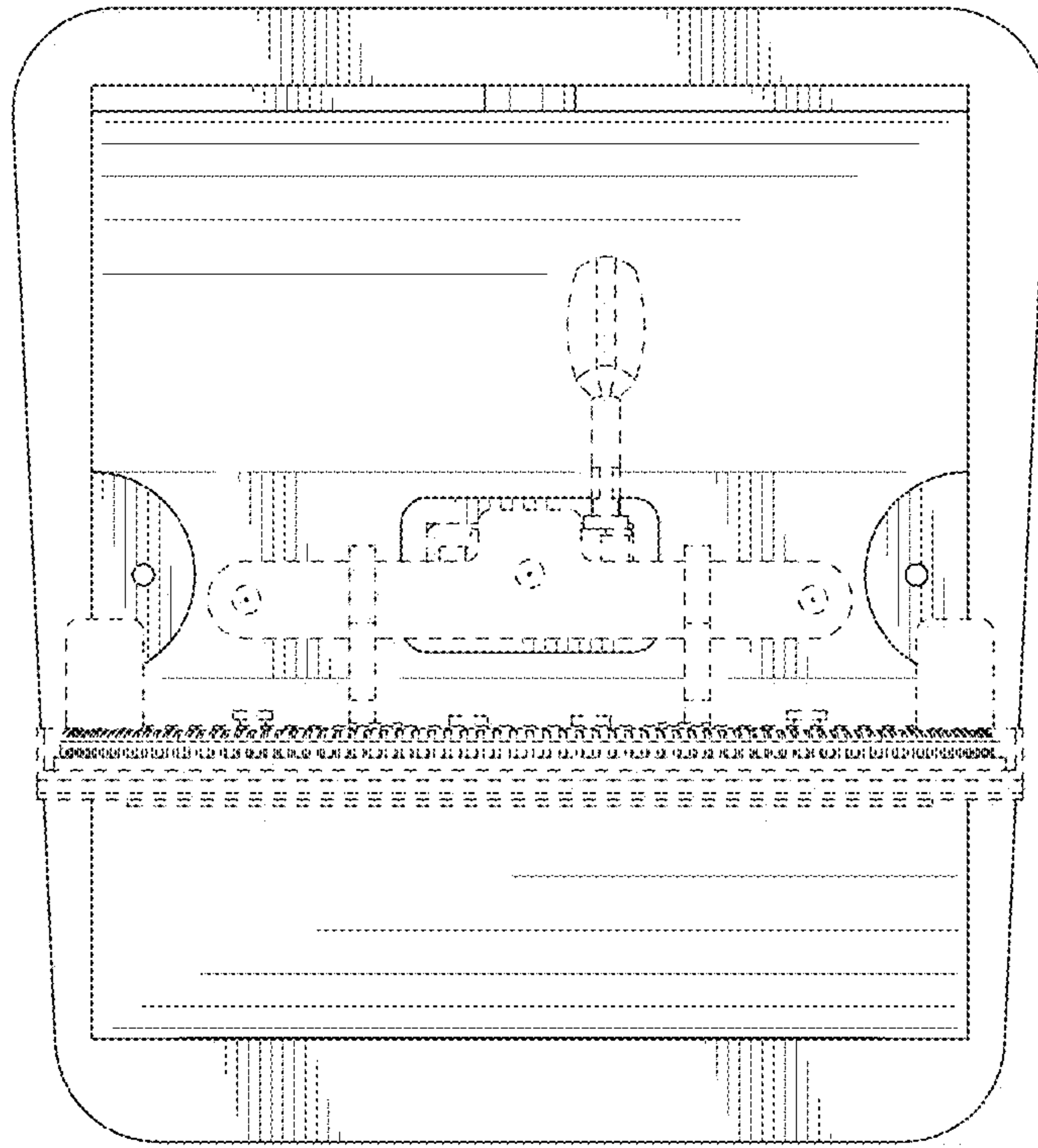


FIG. 7

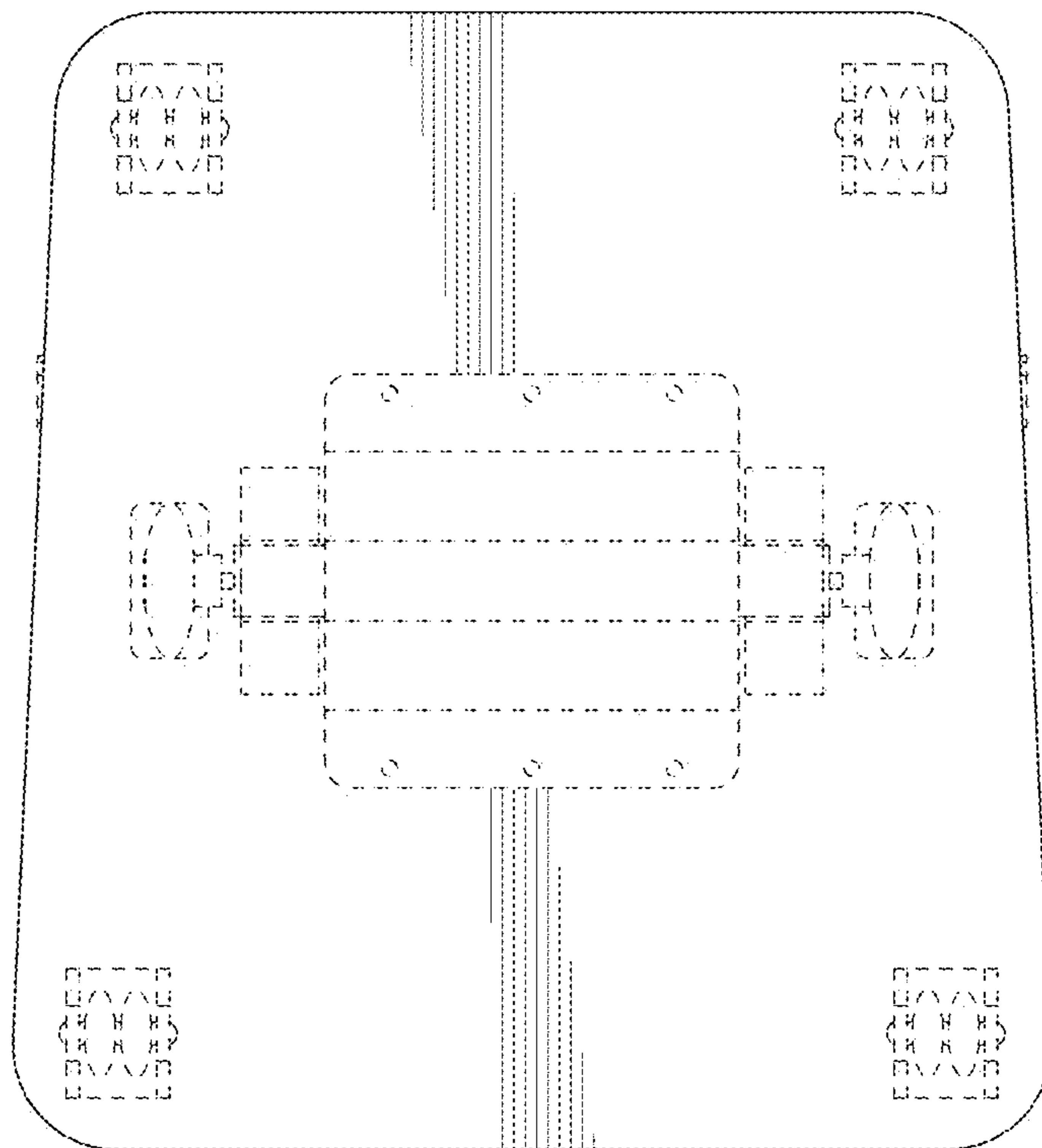


FIG. 8