



US00D898802S

(12) **United States Design Patent**
Liu et al.

(10) **Patent No.:** **US D898,802 S**
(45) **Date of Patent:** **** Oct. 13, 2020**

(54) **WEARABLE CAMERA**
(71) Applicant: **ARASHI VISION INC.**, Shenzhen (CN)
(72) Inventors: **Jingkang Liu**, Shenzhen (CN); **Weibin Guo**, Shenzhen (CN); **Kehui He**, Shenzhen (CN)
(73) Assignee: **ARASHI VISION INC.**, Shenzhen (CN)

D732,594 S * 6/2015 Kawa D16/202
D795,940 S * 8/2017 Huang D16/203
D800,201 S * 10/2017 Song D16/202
D805,570 S * 12/2017 Shi D16/202
D836,147 S * 12/2018 Rao D16/203
D850,315 S * 6/2019 Laurans D10/118.2
D863,404 S * 10/2019 Karpenko D16/218
D867,422 S * 11/2019 Song D16/202
D877,232 S * 3/2020 Chou D16/219
D879,640 S * 3/2020 Jacob D10/118.2
D885,455 S * 5/2020 Kanemori D16/202

* cited by examiner

Primary Examiner — Ramzi S Almatrahi

(**) Term: **15 Years**

(21) Appl. No.: **29/704,105**

(22) Filed: **Sep. 1, 2019**

(30) **Foreign Application Priority Data**

Mar. 1, 2019 (CN) 2019 3 0082981

(51) **LOC (12) Cl.** **16-01**

(52) **U.S. Cl.**
USPC **D16/218**

(58) **Field of Classification Search**
USPC D16/200–204, 208, 218, 219; 348/143, 348/148, 151, 360, 373–376; 396/419, 396/427–429, 433, 529, 535, 537–541
CPC G03B 15/03; G03B 17/02; G03B 17/04; G03B 17/48; G03B 17/56; G03B 19/04; G08G 1/0175; H04N 5/2251; H04N 5/2252; H04N 5/2253; H04N 5/2254
See application file for complete search history.

(56) **References Cited**

U.S. PATENT DOCUMENTS

D475,381 S * 6/2003 Komatsu D16/202
8,587,715 B2 * 11/2013 Takeda H04R 5/027
348/373

(57) **CLAIM**

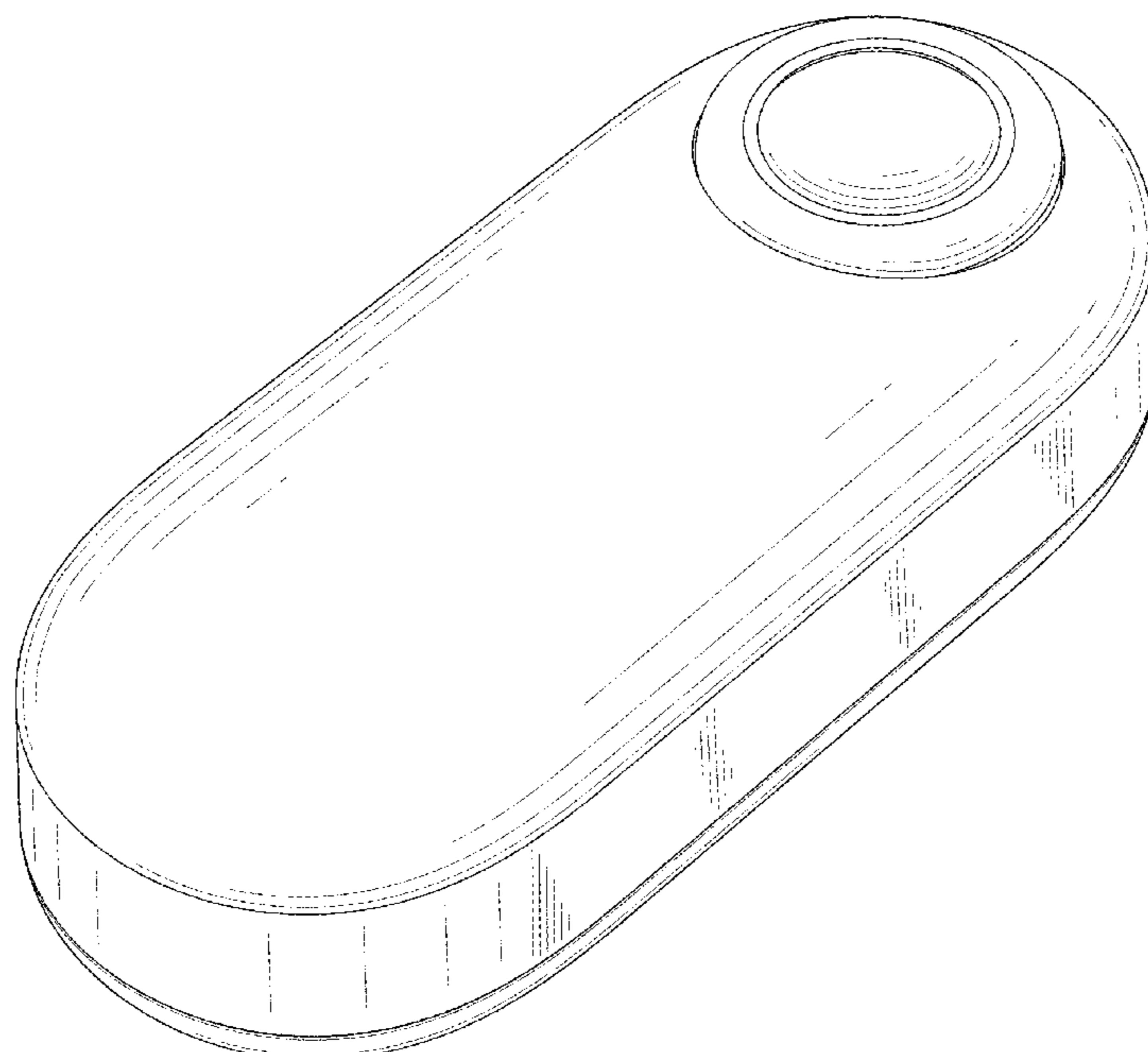
The ornamental design for a wearable camera, as shown and described.

DESCRIPTION

FIG. 1 is a front, bottom and right side perspective view of a wearable camera showing our new design;
FIG. 2 is a front elevational view thereof;
FIG. 3 is a rear elevational view thereof;
FIG. 4 is a left side elevational view thereof;
FIG. 5 is a right side elevational view thereof;
FIG. 6 is a top plan view thereof; and,
FIG. 7 is a bottom plan view thereof.

The broken lines in the drawings illustrate portions of the wearable camera which form no part of the claimed design.

1 Claim, 7 Drawing Sheets



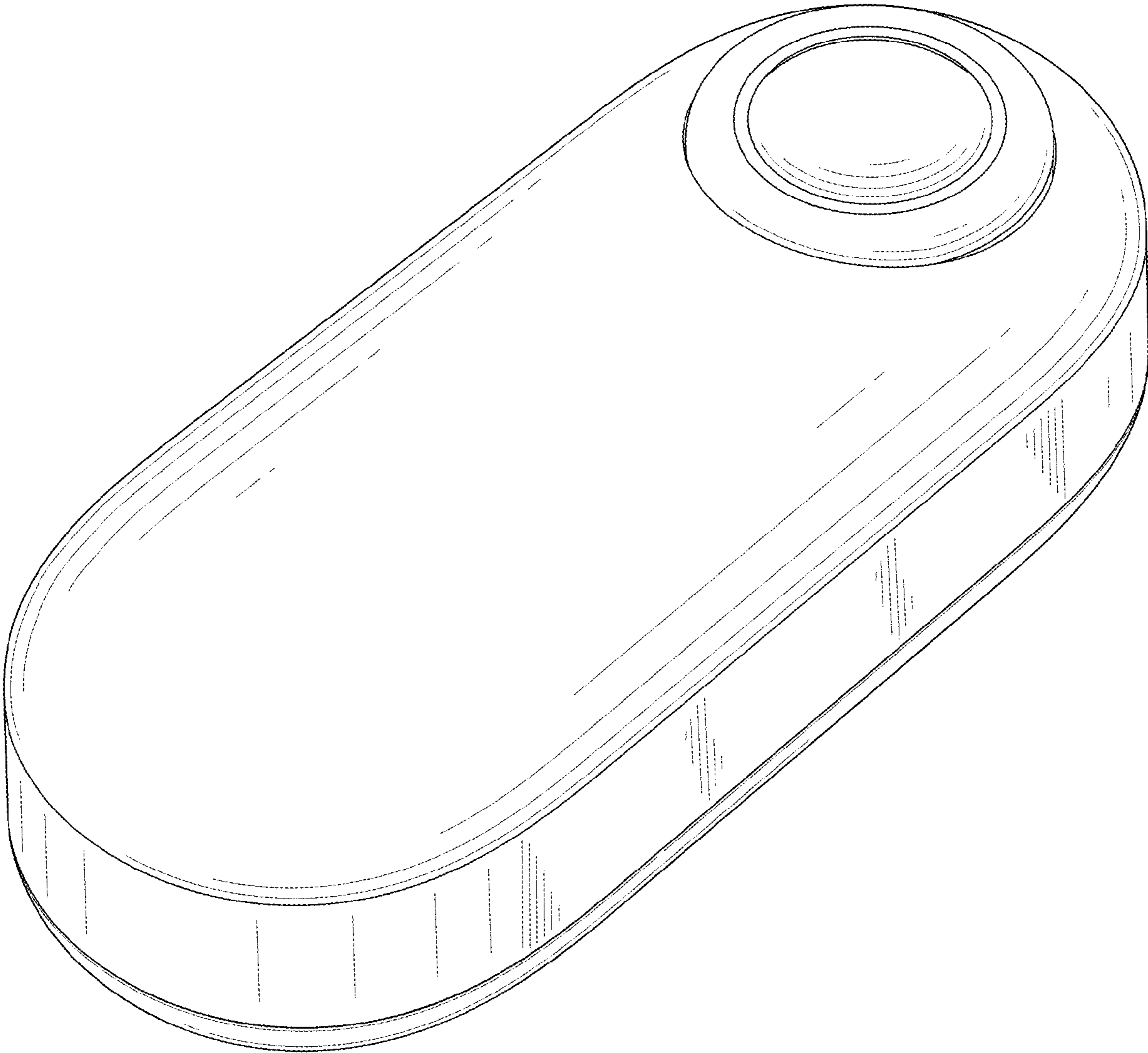


FIG. 1

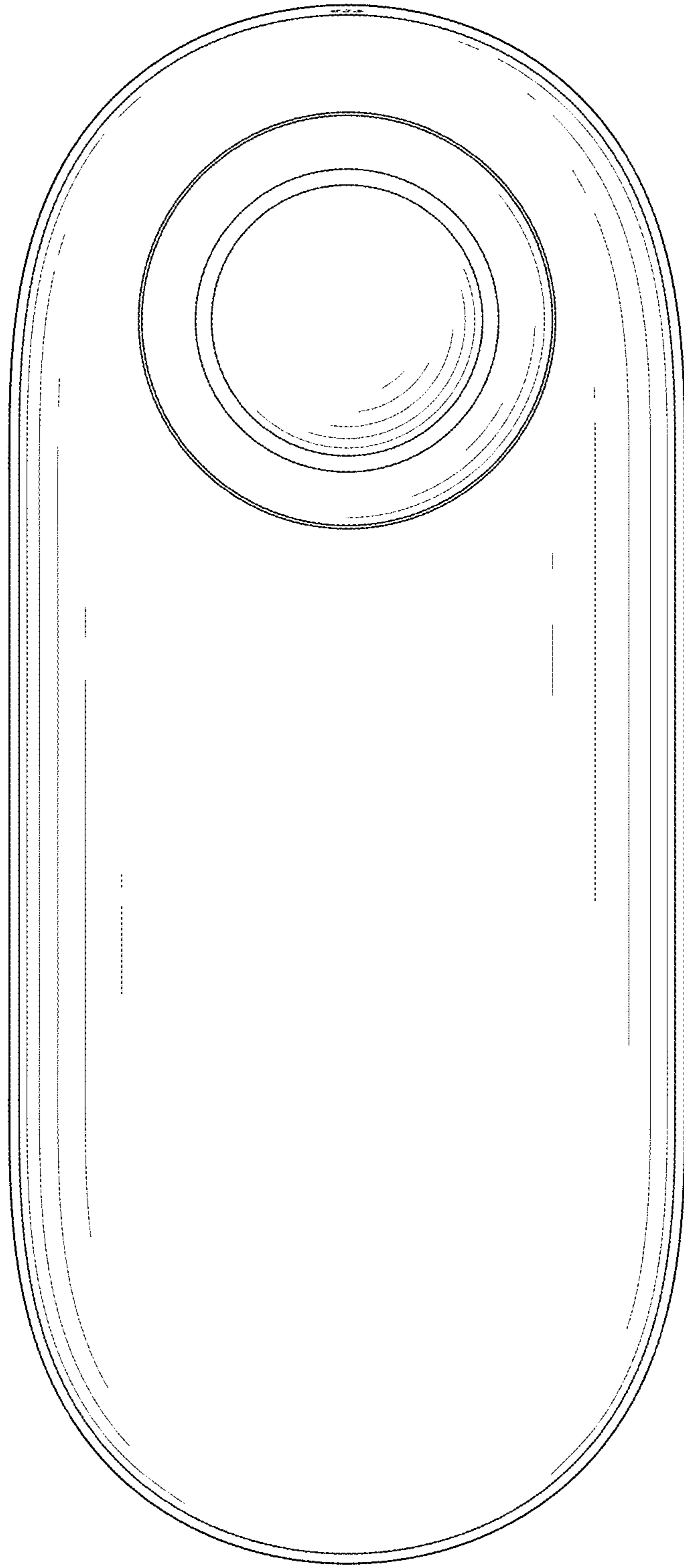


FIG. 2

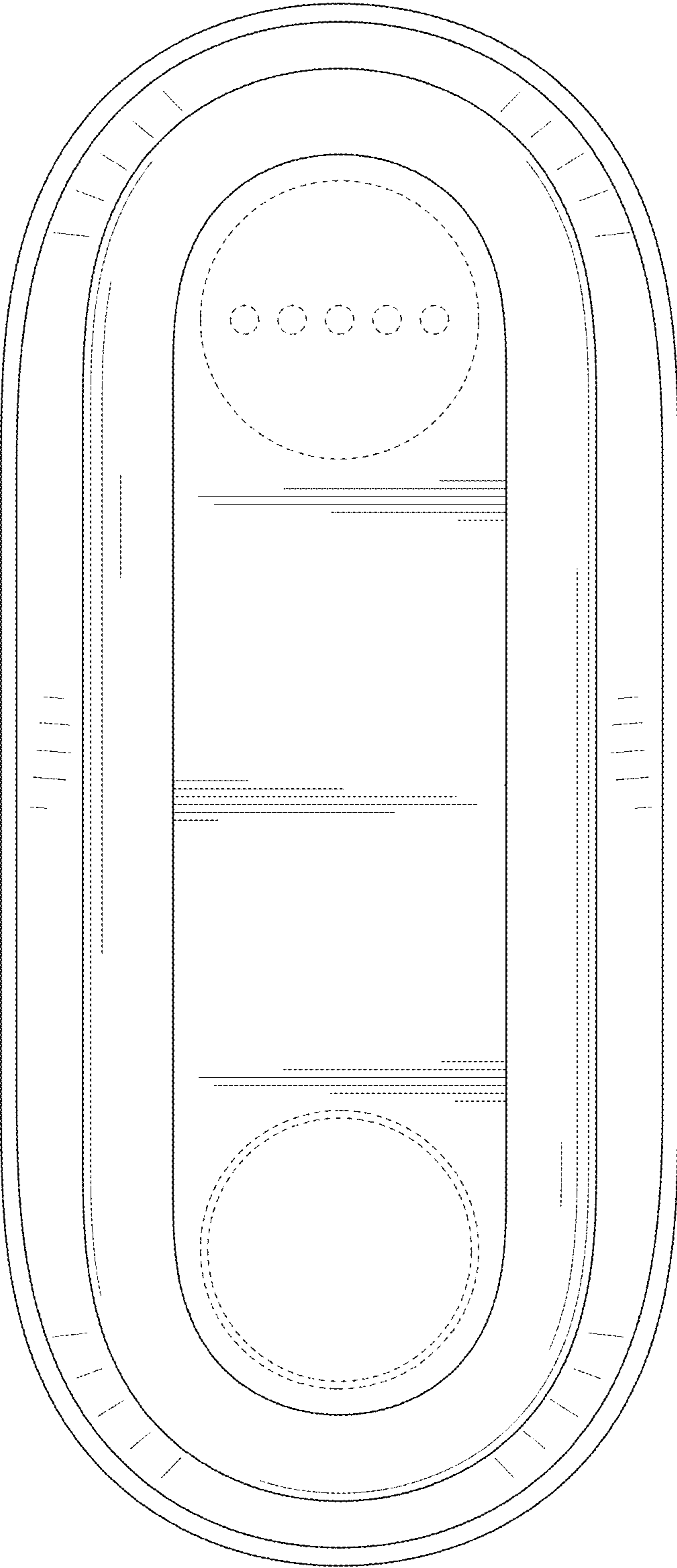


FIG. 3

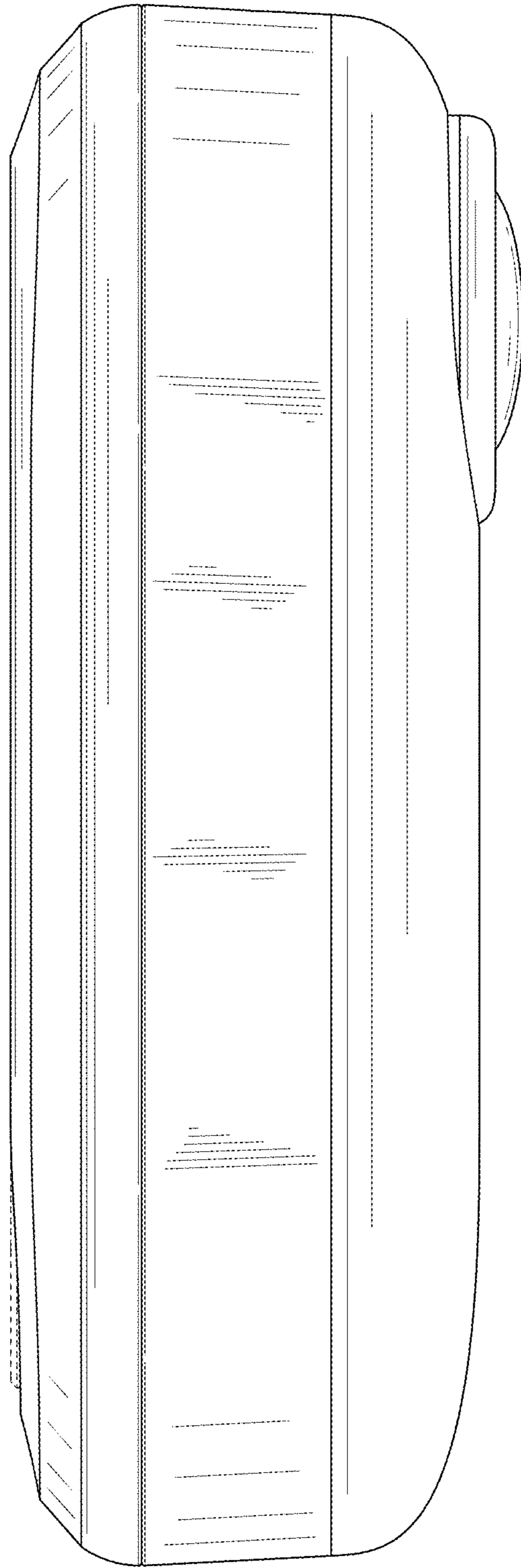


FIG. 4

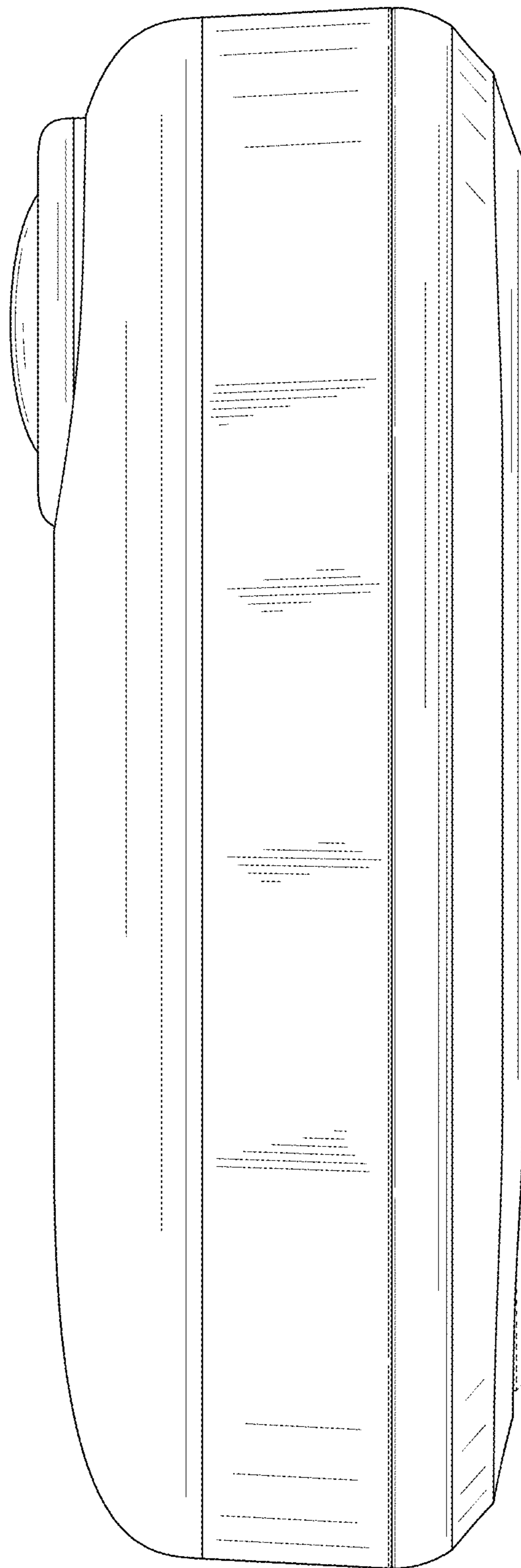


FIG. 5

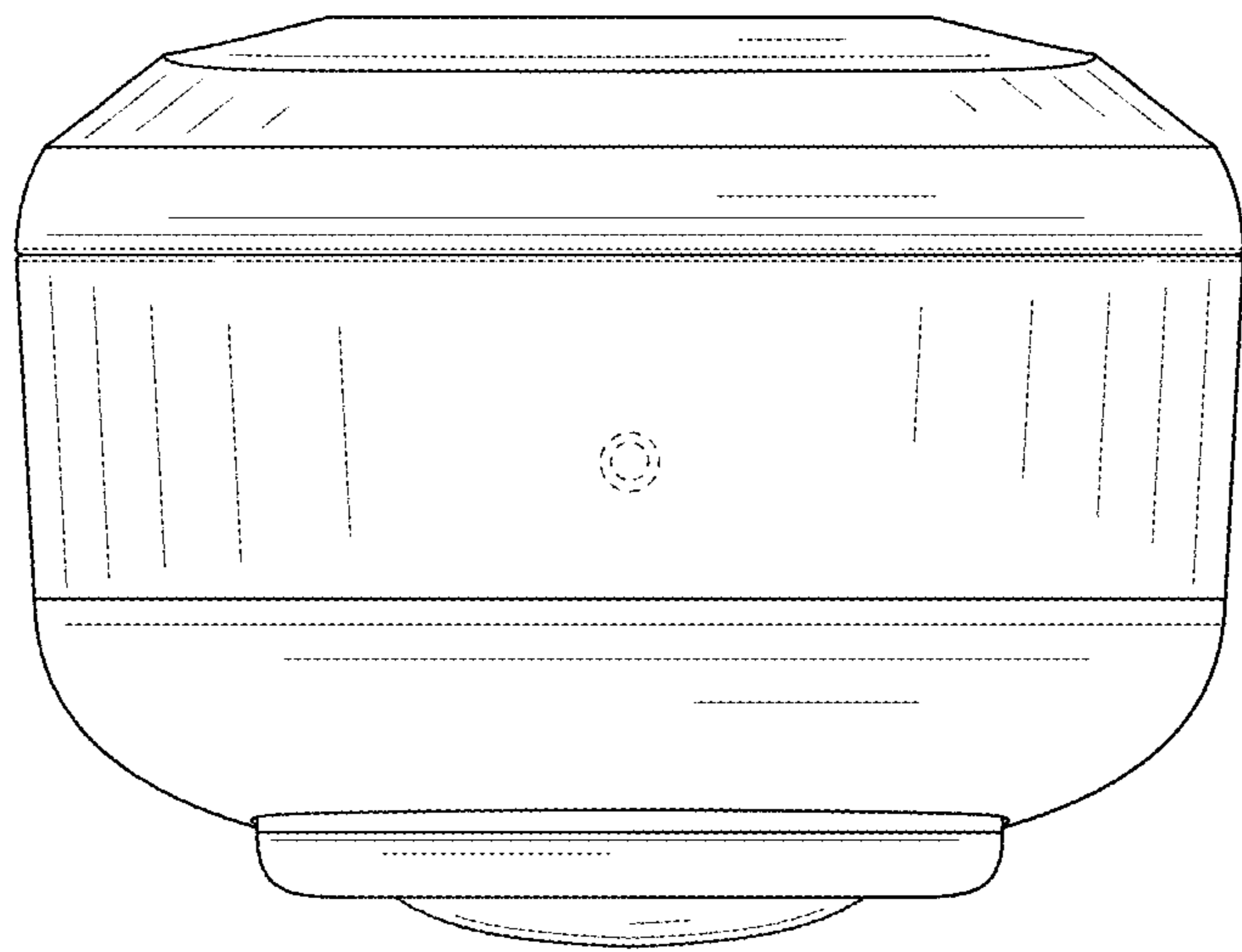


FIG. 6

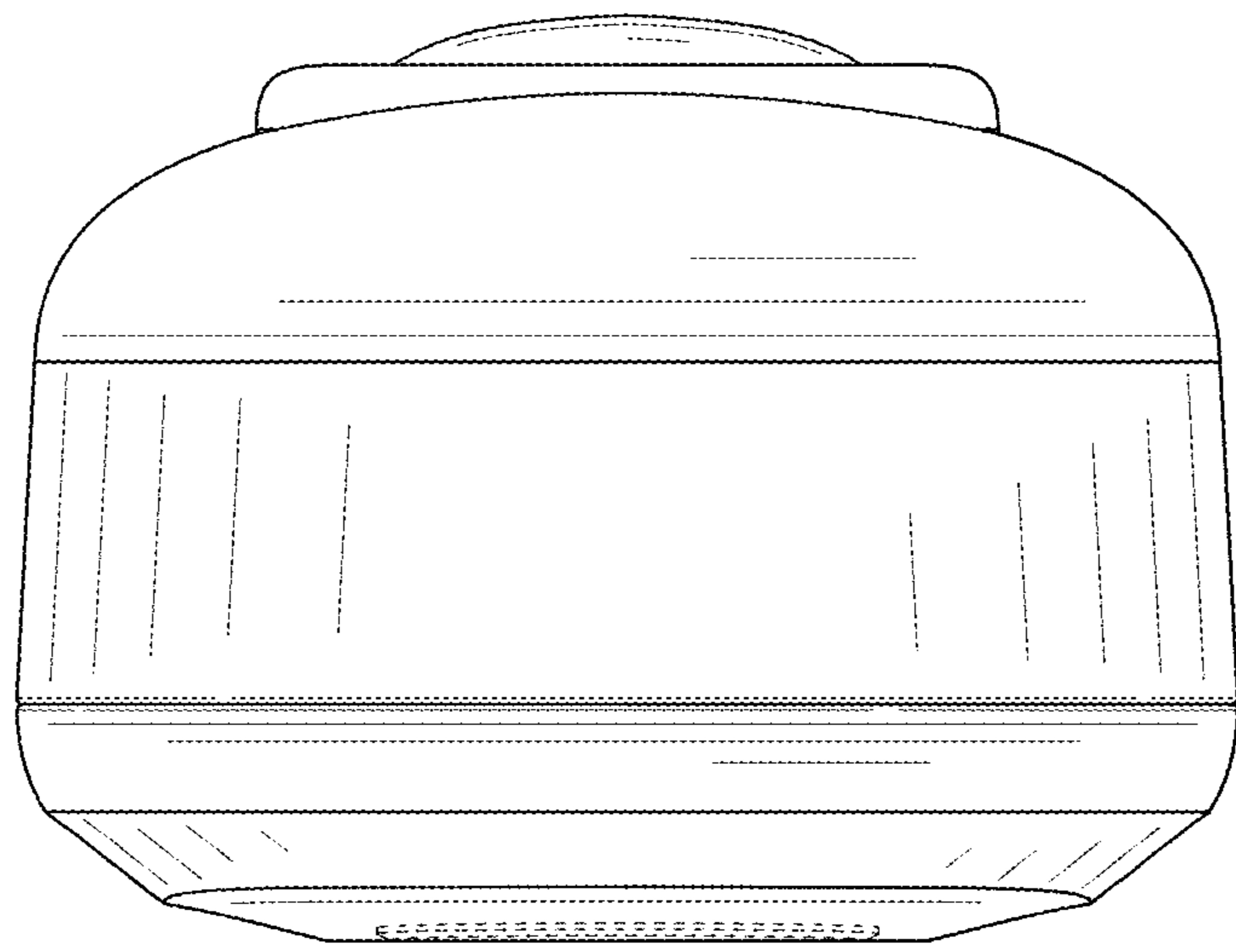


FIG. 7