



US00D898800S

(12) **United States Design Patent** (10) **Patent No.:** **US D898,800 S**
Zeng (45) **Date of Patent:** **** Oct. 13, 2020**

(54) **CAMERA**

(56) **References Cited**

(71) Applicant: **Guangdong Global Egrow (Zhaoqing) Cross-Border E-Commerce Co., Ltd., Guangdong (CN)**

U.S. PATENT DOCUMENTS

(72) Inventor: **Qiang Zeng, Guangdong (CN)**

| | | | |
|--------------|---------|---------------|---------|
| D550,738 S * | 9/2007 | Hsia | D16/202 |
| D609,732 S * | 2/2010 | Frank | D16/203 |
| D626,984 S * | 11/2010 | Miyaji | D16/202 |
| D704,240 S * | 5/2014 | McBride | D16/203 |
| D741,389 S * | 10/2015 | Park | D16/203 |
| D751,619 S * | 3/2016 | Jeong | D16/203 |
| D753,204 S * | 4/2016 | Luo | D16/202 |
| D813,290 S * | 3/2018 | Song | D16/203 |
| D813,926 S * | 3/2018 | Shin | D16/203 |
| D836,698 S * | 12/2018 | Hathway | D16/203 |
| D849,094 S * | 5/2019 | Gan | D16/203 |
| D861,762 S * | 10/2019 | Gan | D16/203 |
| D863,402 S * | 10/2019 | Guo | D16/203 |

(73) Assignee: **Guangdong Global Egrow (Zhaoqing) Cross-Border E-Commerce Co., Ltd., Guangdong (CN)**

(**) Term: **15 Years**

* cited by examiner

(21) Appl. No.: **29/678,770**

Primary Examiner — Ramzi S Almatrahi

(22) Filed: **Jan. 31, 2019**

(74) *Attorney, Agent, or Firm* — JCIPRNET

(30) **Foreign Application Priority Data**

Nov. 28, 2018 (CN) 2018 3 0680517

(57) **CLAIM**

(51) **LOC (12) Cl.** **16-01**

The ornamental design for a camera, as shown and described.

(52) **U.S. Cl.**
USPC **D16/203**

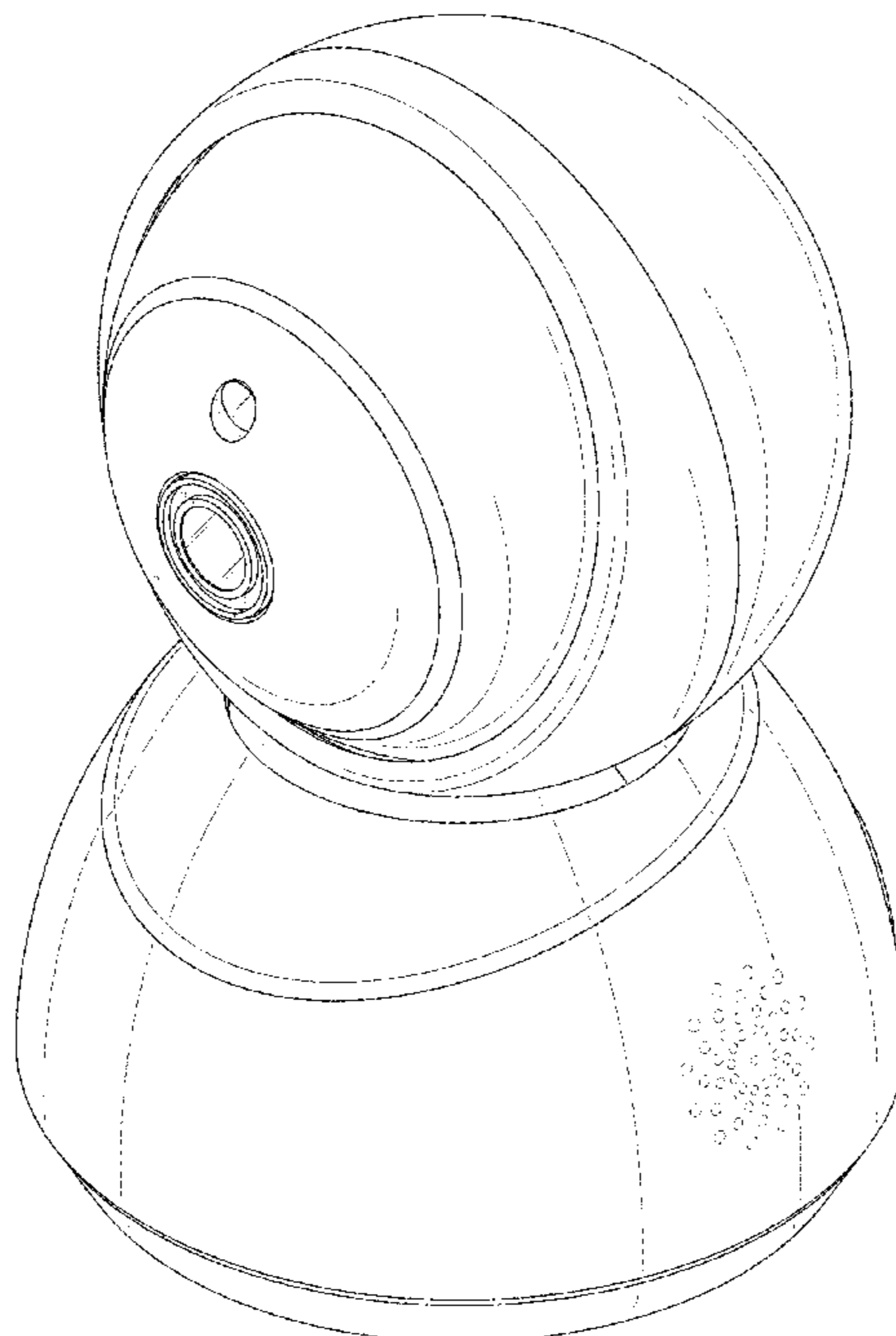
DESCRIPTION

(58) **Field of Classification Search**
USPC D16/200, 202–206, 218, 219, 242;
348/143, 148, 151, 373–376; 396/419,
396/427, 535, 539–541
CPC G03B 17/02; G03B 19/04; G03B 17/56;
G03B 17/04; G03B 15/03; H04N 5/2251;
H04N 5/2252; H04N 5/2253; H04N
5/2254; H04N 7/181; H04N 7/183; H04N
7/18; G08B 13/1963; G08B 13/19619;
G08B 13/19632; F16M 11/04; F16M
13/00

FIG. 1 is a front perspective view of a camera showing my new design;
FIG. 2 is a front view thereof;
FIG. 3 is a rear view thereof;
FIG. 4 is a left view thereof;
FIG. 5 is a right view thereof;
FIG. 6 is a top view thereof; and,
FIG. 7 is a bottom view thereof.
The broken lines depict portions of the camera in which the design is embodied that form no part of the claimed design.

See application file for complete search history.

1 Claim, 7 Drawing Sheets



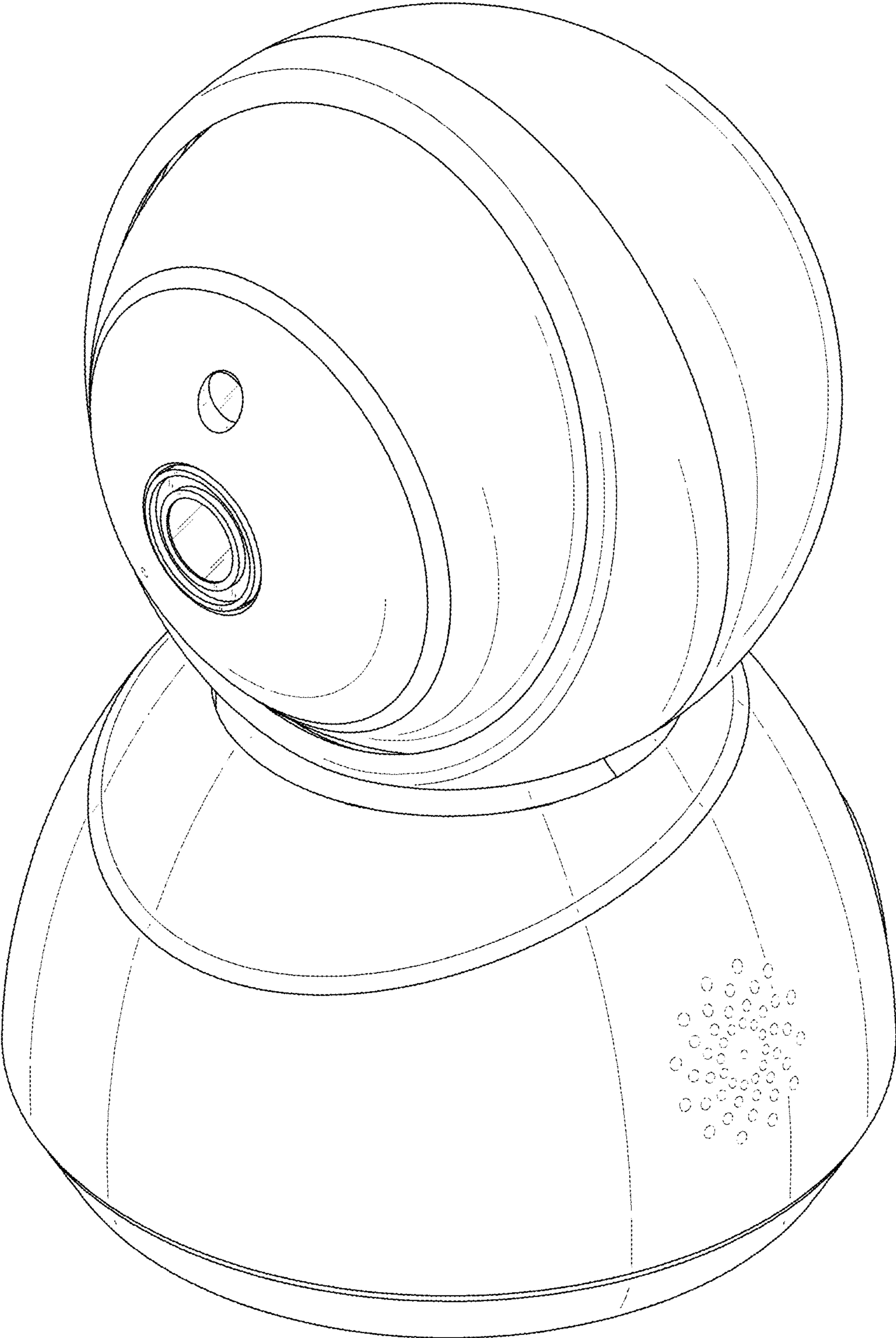


FIG. 1

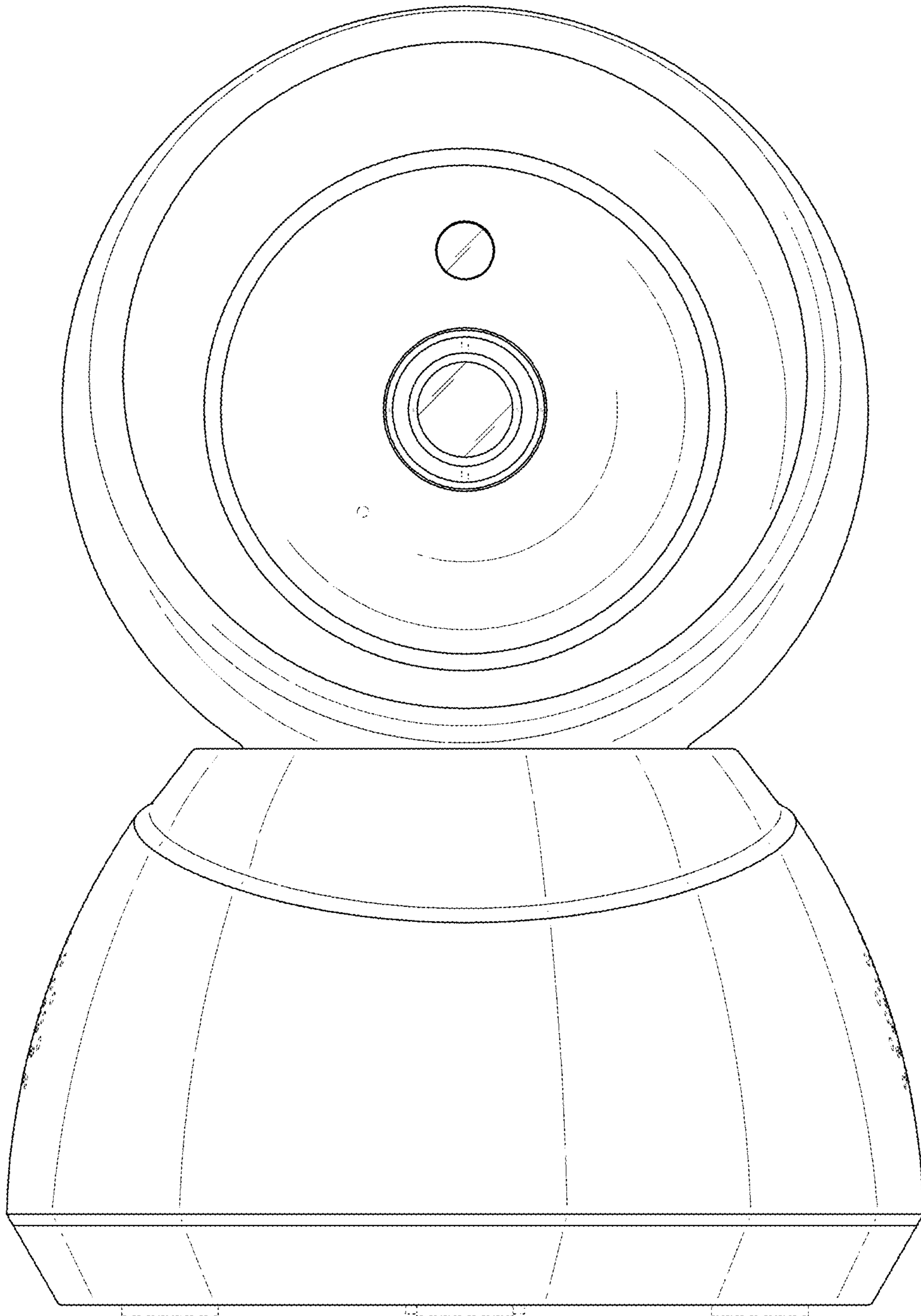


FIG. 2

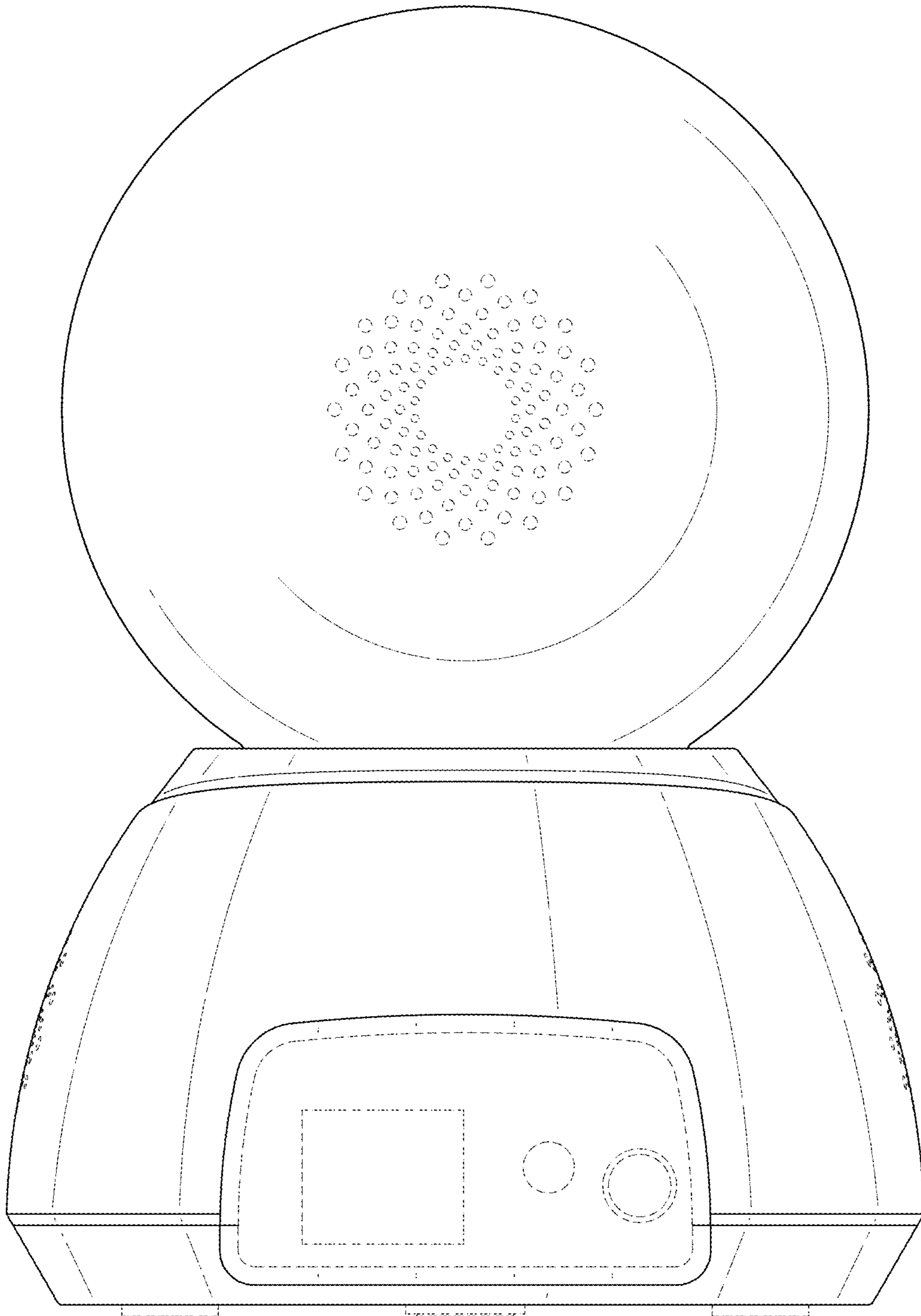


FIG. 3

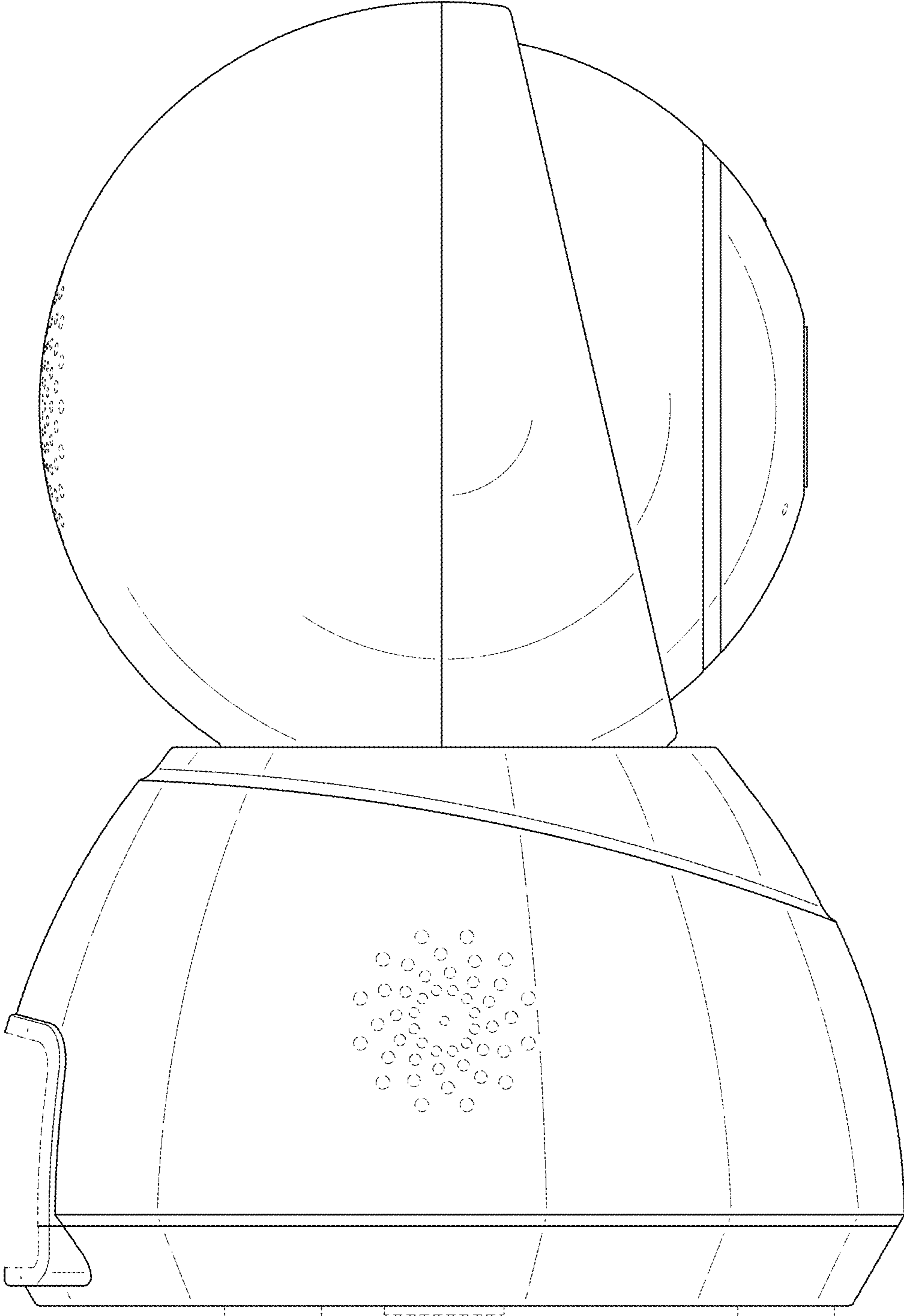


FIG. 4

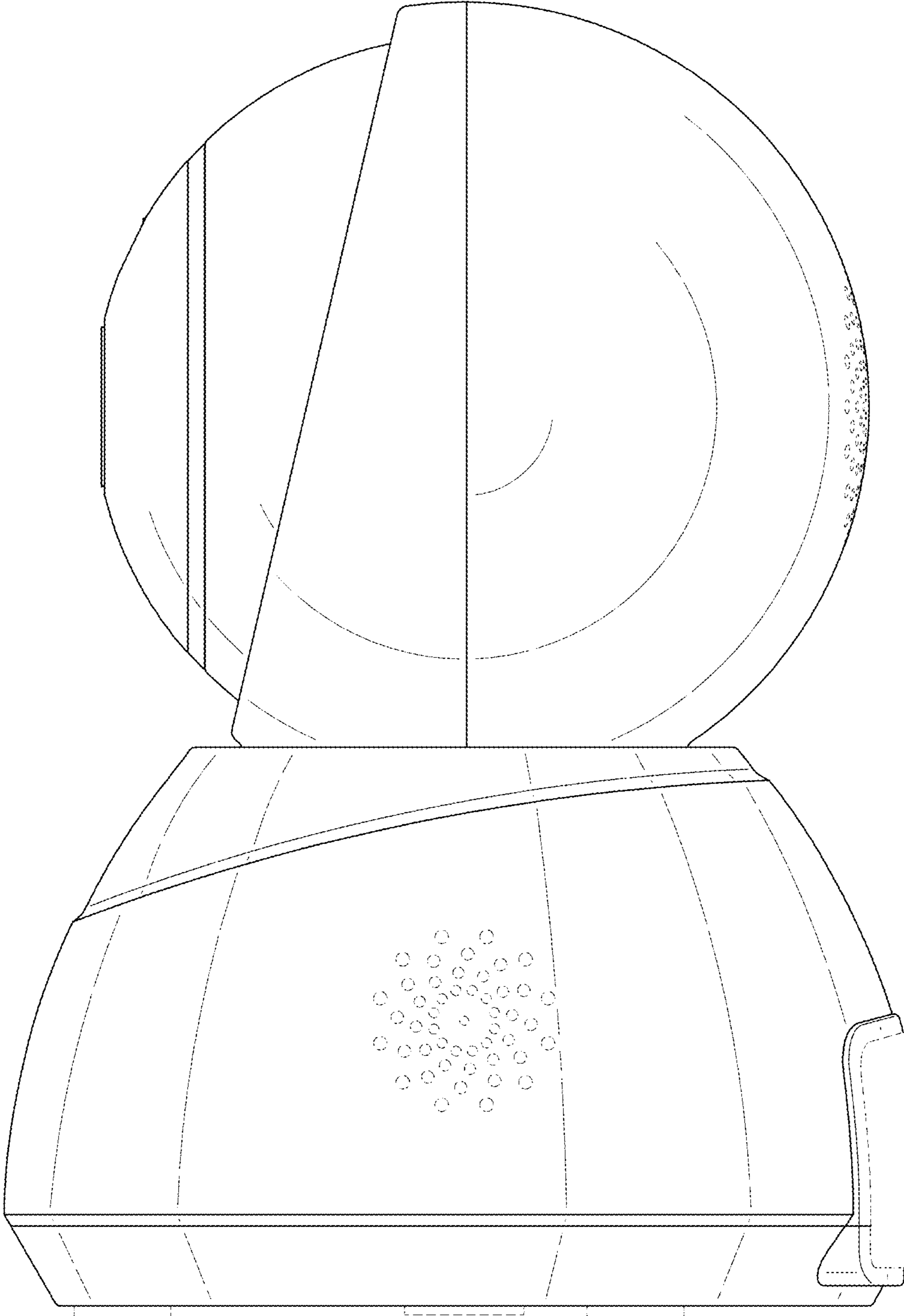


FIG. 5

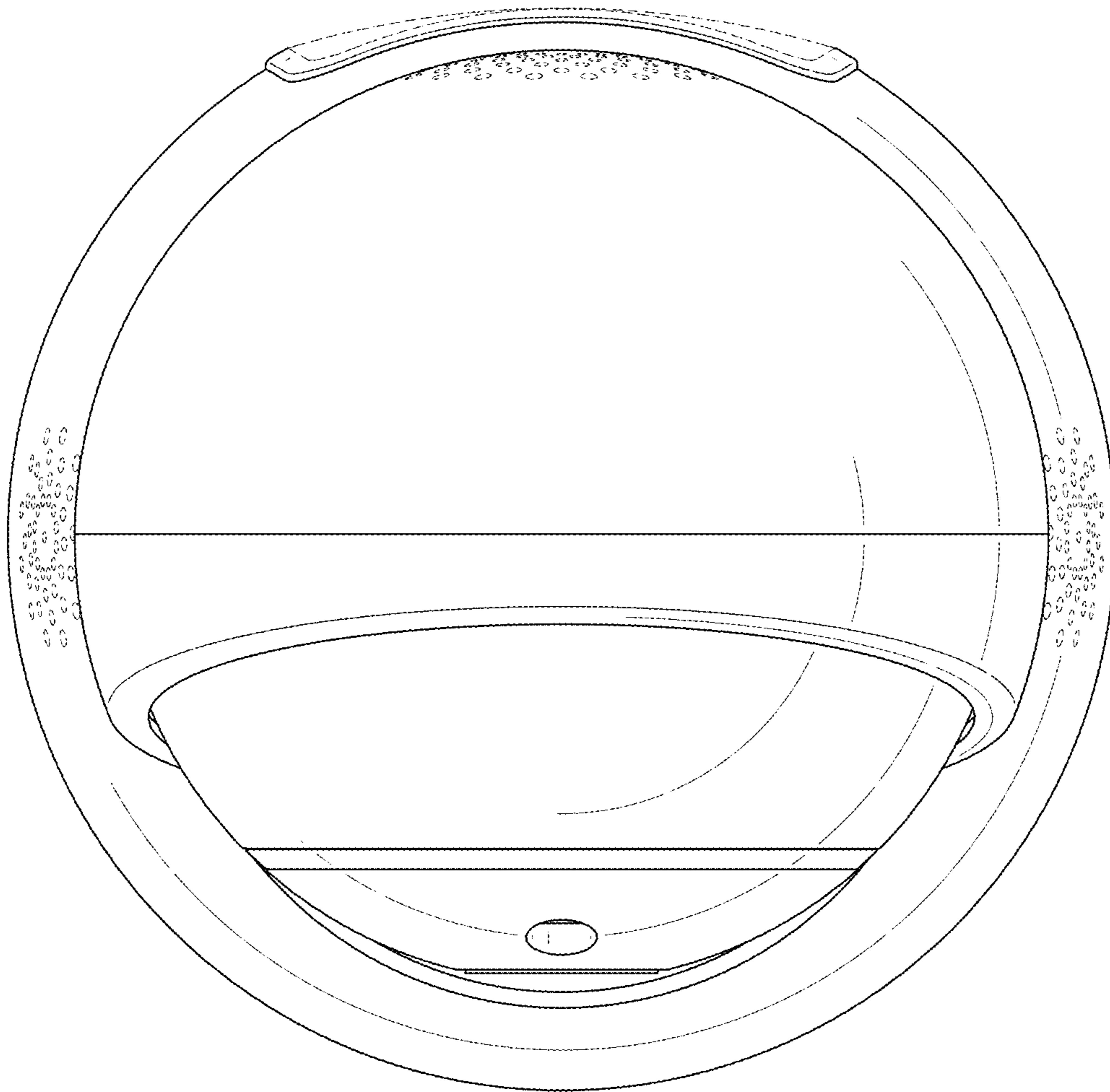


FIG. 6

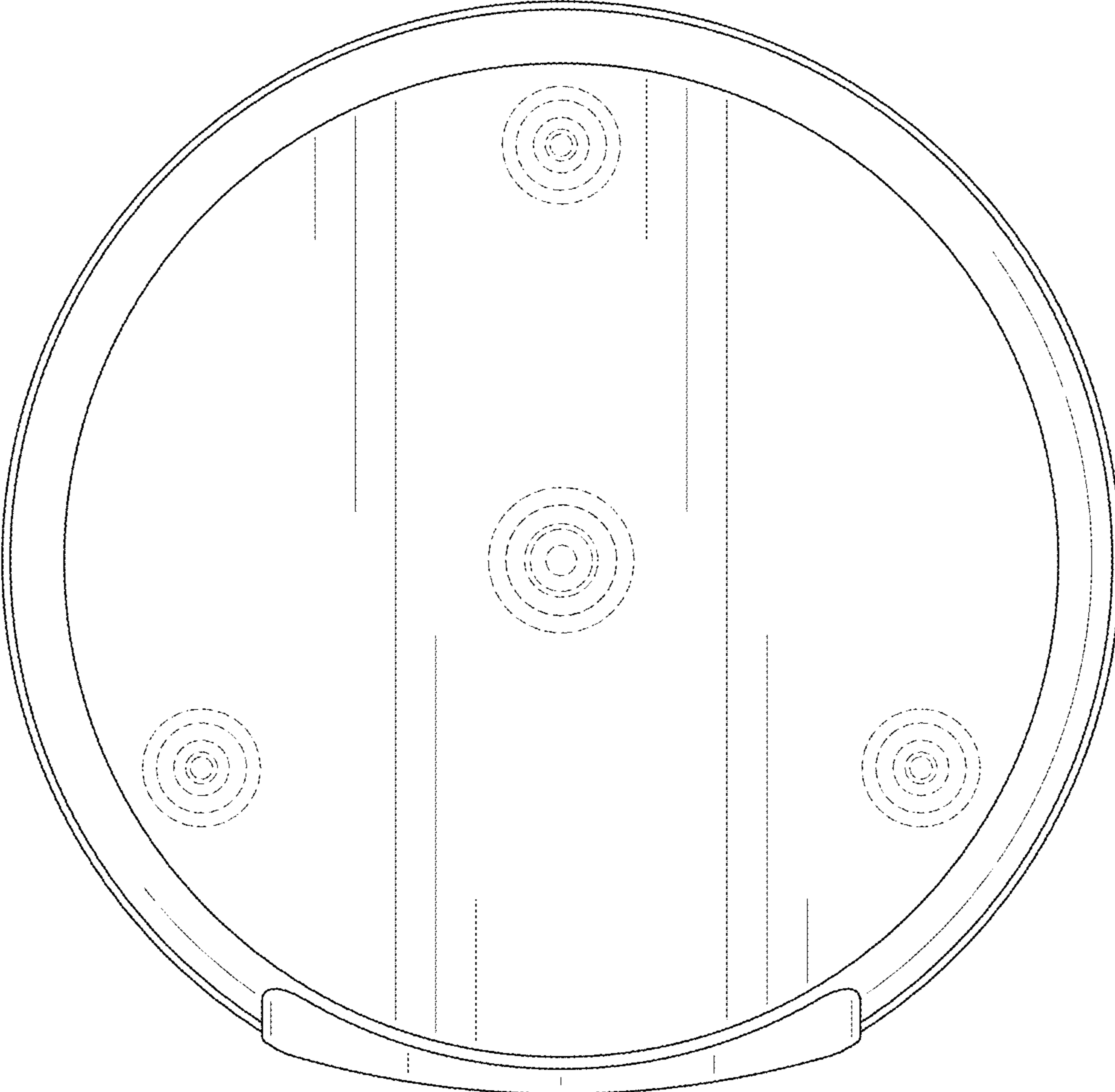


FIG. 7