



US00D898799S

(12) **United States Design Patent**  
**Minamide et al.**

(10) **Patent No.:** **US D898,799 S**

(45) **Date of Patent:** **\*\* Oct. 13, 2020**

(54) **DIGITAL CAMERA**

(71) Applicant: **CASIO KEISANKI KABUSHIKI KAISHA**, Shibuya-ku, Tokyo (JP)

(72) Inventors: **Yoshihiro Minamide**, Kanagawa (JP);  
**Kyohei Ishii**, Tokyo (JP)

(73) Assignee: **CASIO KEISANKI KABUSHIKI KAISHA**, Tokyo (JP)

(\*\*) Term: **15 Years**

(21) Appl. No.: **29/706,381**

(22) Filed: **Sep. 19, 2019**

(30) **Foreign Application Priority Data**

Mar. 20, 2019 (JP) ..... 2019-005913

(51) **LOC (12) Cl.** ..... **16-01**

(52) **U.S. Cl.**  
USPC ..... **D16/202**

(58) **Field of Classification Search**  
USPC ..... D16/134, 136, 200, 202–205, 208, 218,  
D16/219; 348/36, 335, 373–376;  
359/554, 826–828; 396/72, 282, 287,  
396/291, 296, 529–532, 535, 539–541,  
396/544

CPC ..... G03B 17/02; G03B 19/04; G03B 17/56;  
G03B 17/04; G03B 15/03; G03B 17/14;  
H04N 5/2251; H04N 5/2252; H04N  
5/2253; H04N 5/2254

See application file for complete search history.

(56) **References Cited**

**U.S. PATENT DOCUMENTS**

D631,496 S \* 1/2011 Tainaka ..... D16/202  
D657,408 S \* 4/2012 Tainaka ..... D16/202

D698,839 S \* 2/2014 Sato ..... D16/200  
D716,862 S \* 11/2014 Hoshi ..... D16/202  
D748,712 S \* 2/2016 Tompkin ..... D16/218  
D749,659 S \* 2/2016 Kamei ..... D16/202  
D764,560 S \* 8/2016 Jang ..... D16/202  
D794,693 S \* 8/2017 Sato ..... D16/202  
D849,087 S \* 5/2019 Li ..... D16/202  
D867,420 S \* 11/2019 Zhang ..... D16/202  
D872,162 S \* 1/2020 Gao ..... D16/218  
D873,883 S \* 1/2020 Lin ..... D16/202  
D875,804 S \* 2/2020 Li ..... D16/202

\* cited by examiner

*Primary Examiner* — Ramzi S Almatrahi

(74) *Attorney, Agent, or Firm* — Holtz, Holtz & Volek PC

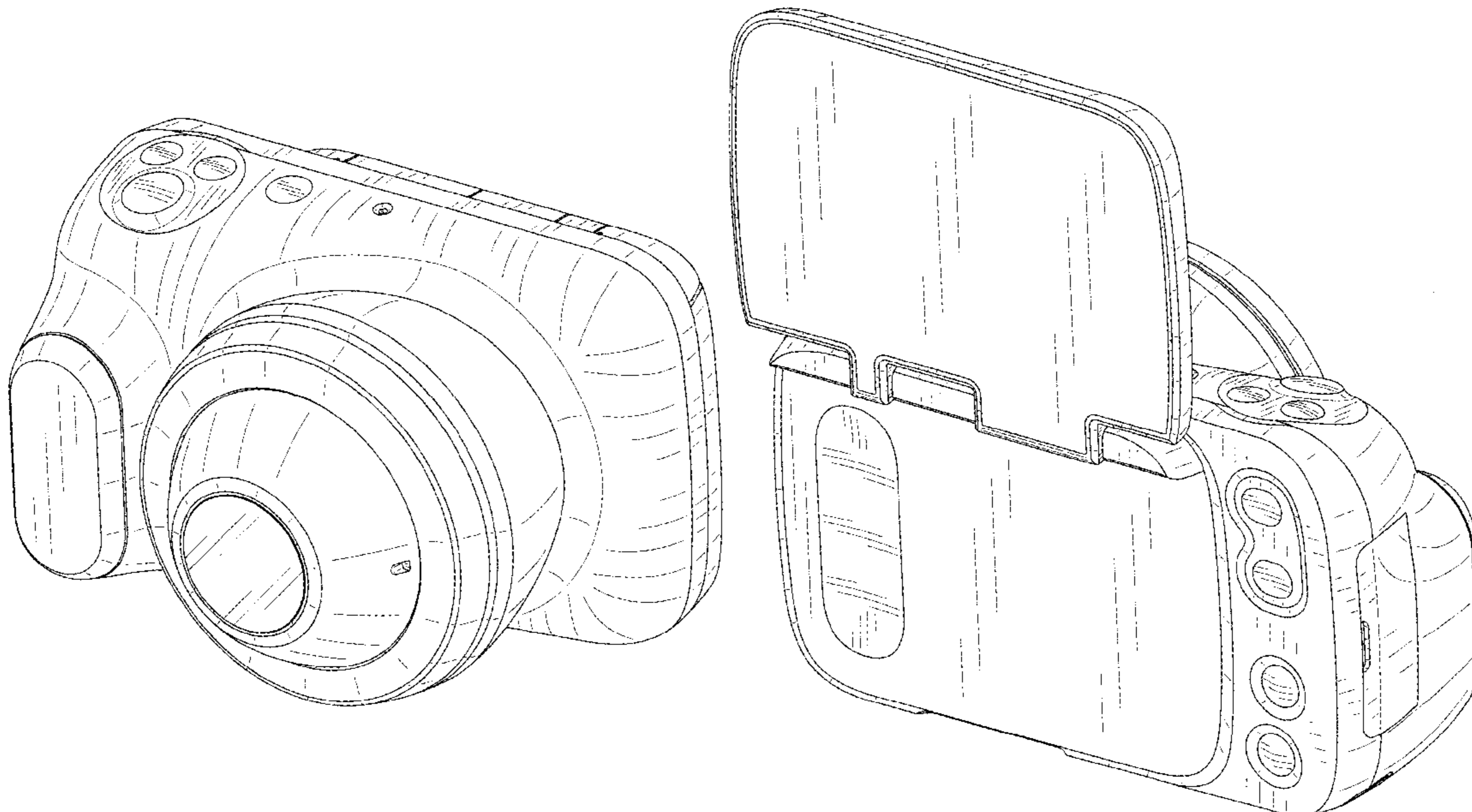
(57) **CLAIM**

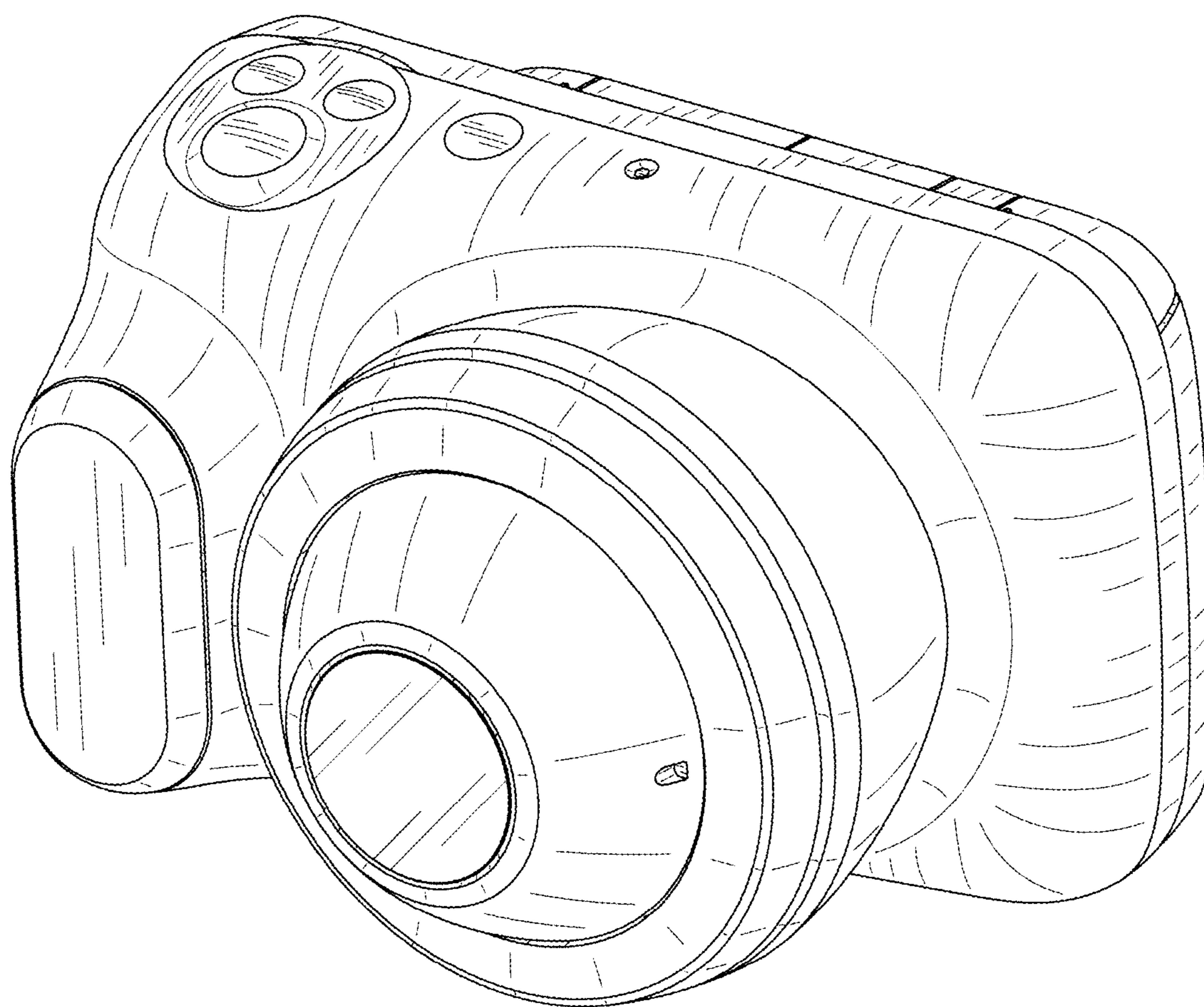
The ornamental design for a digital camera, as shown and described.

**DESCRIPTION**

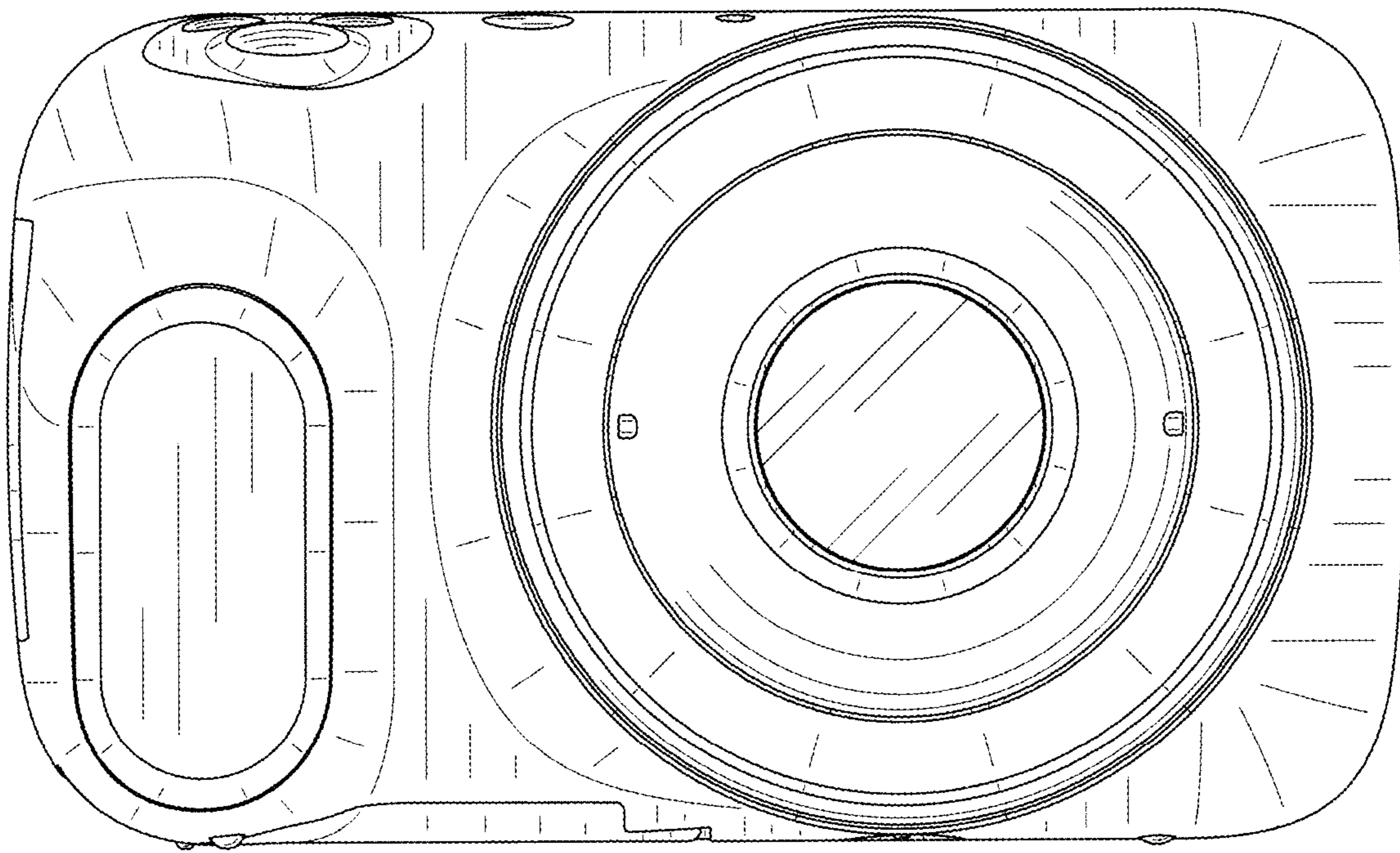
FIG. 1 is a top, front and right side perspective view of a digital camera showing our new design;  
FIG. 2 is a front elevational view thereof;  
FIG. 3 is a rear elevational view thereof;  
FIG. 4 is a left side view thereof;  
FIG. 5 is a right side view thereof;  
FIG. 6 is a top plan view thereof;  
FIG. 7 is a bottom plan view thereof;  
FIG. 8 is a top, front and right side perspective view thereof, shown with the display screen in an open position; and,  
FIG. 9 is a top, rear and left side perspective view thereof.

**1 Claim, 7 Drawing Sheets**

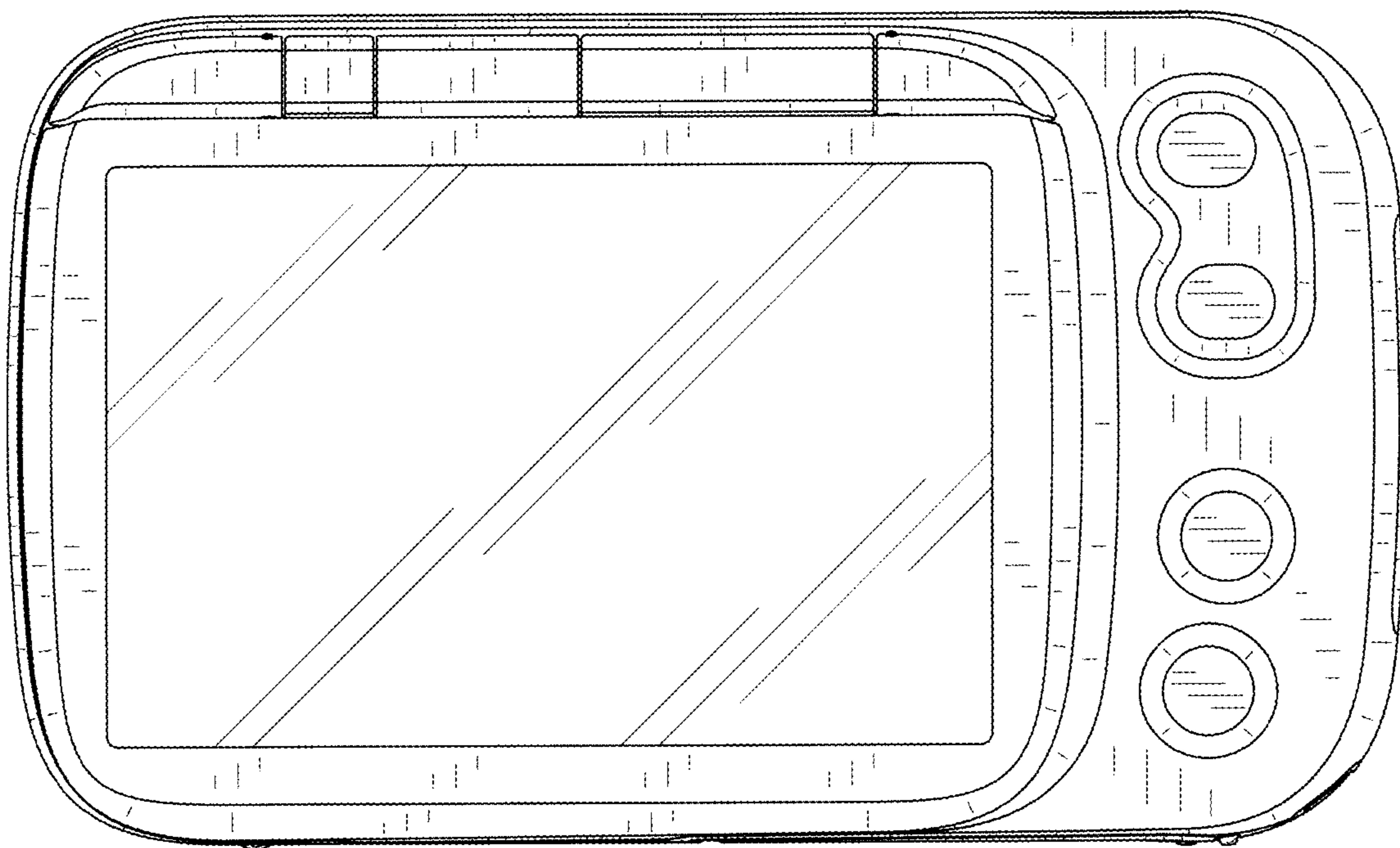




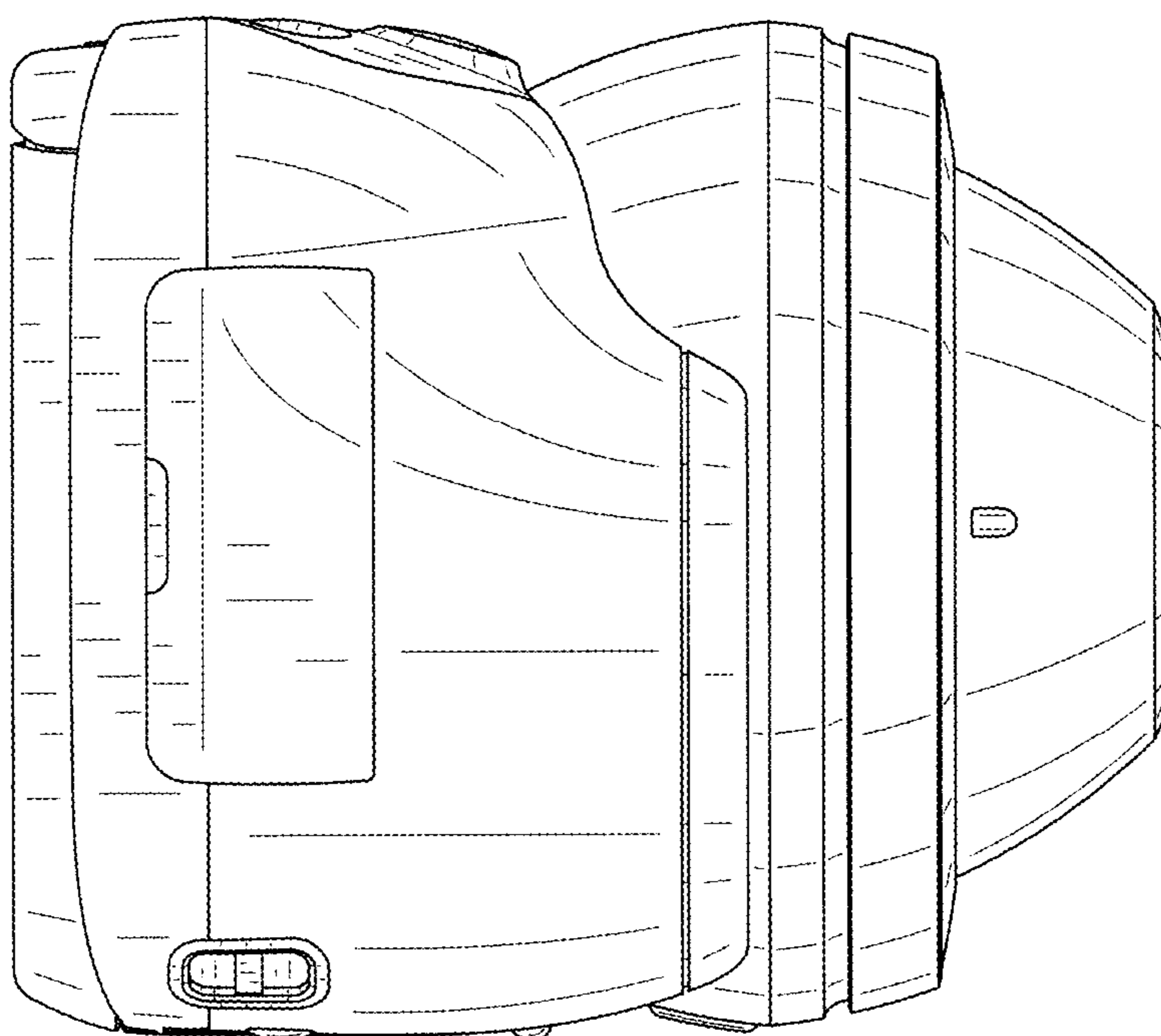
**FIG. 1**



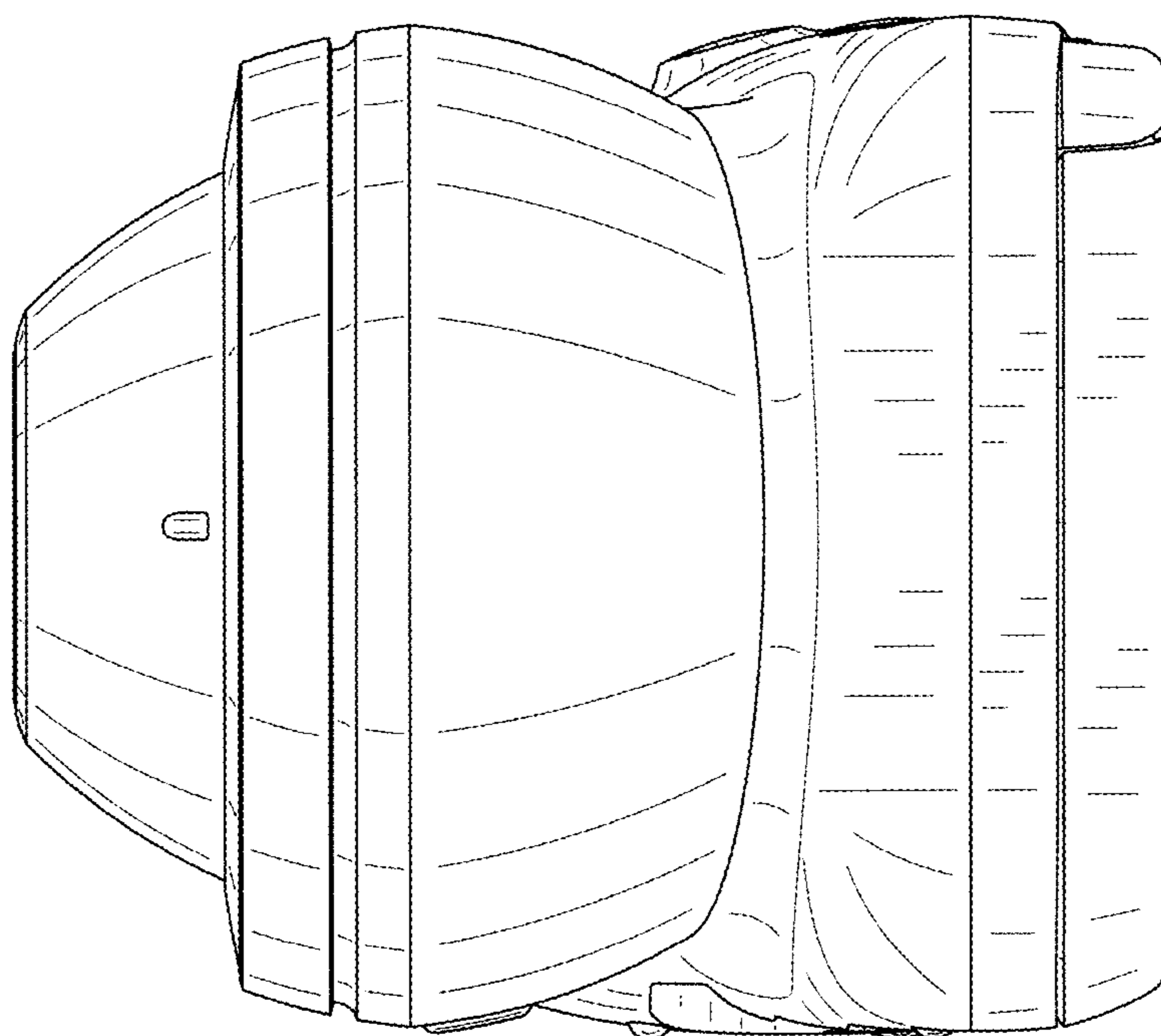
**FIG. 2**



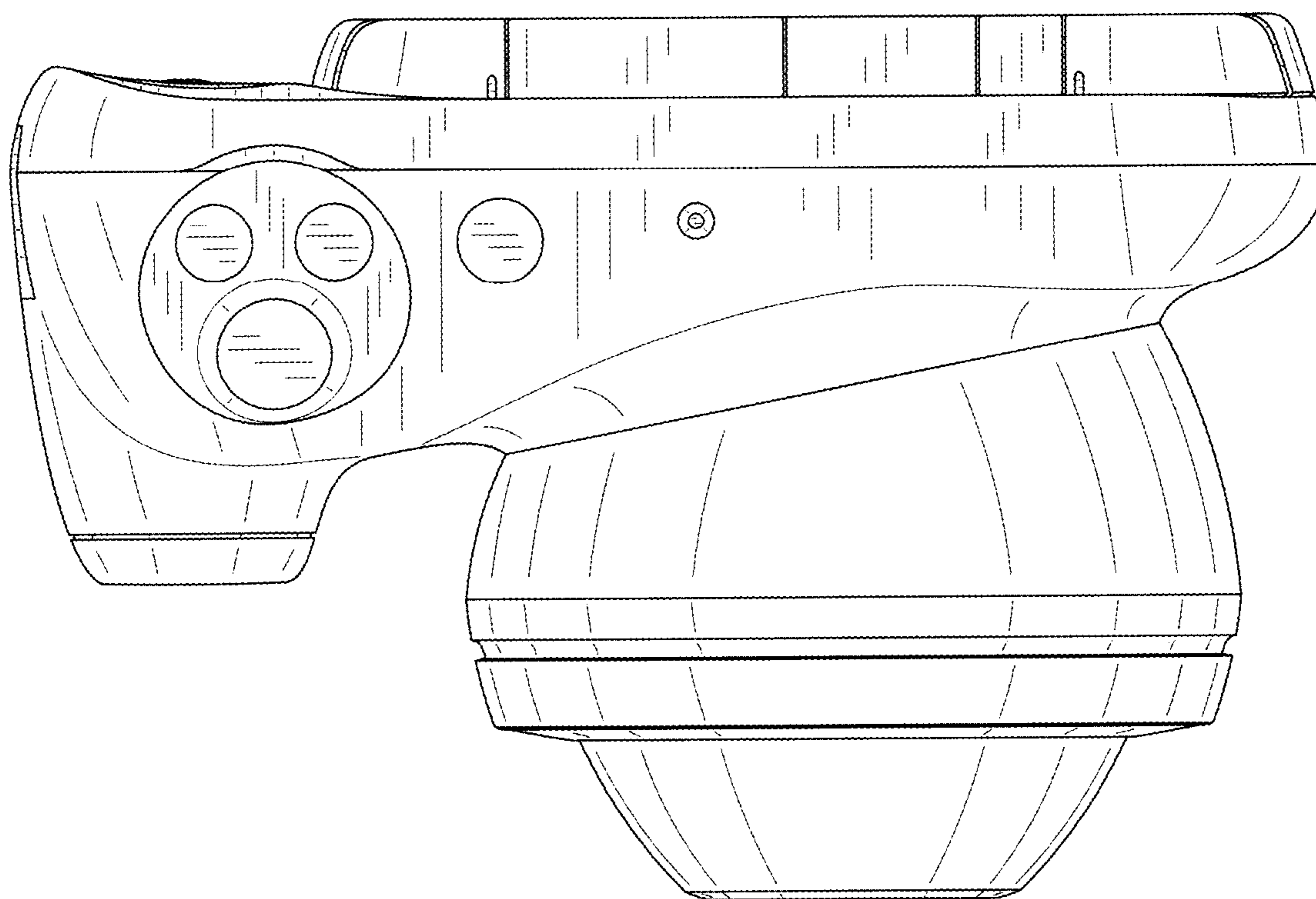
**FIG. 3**



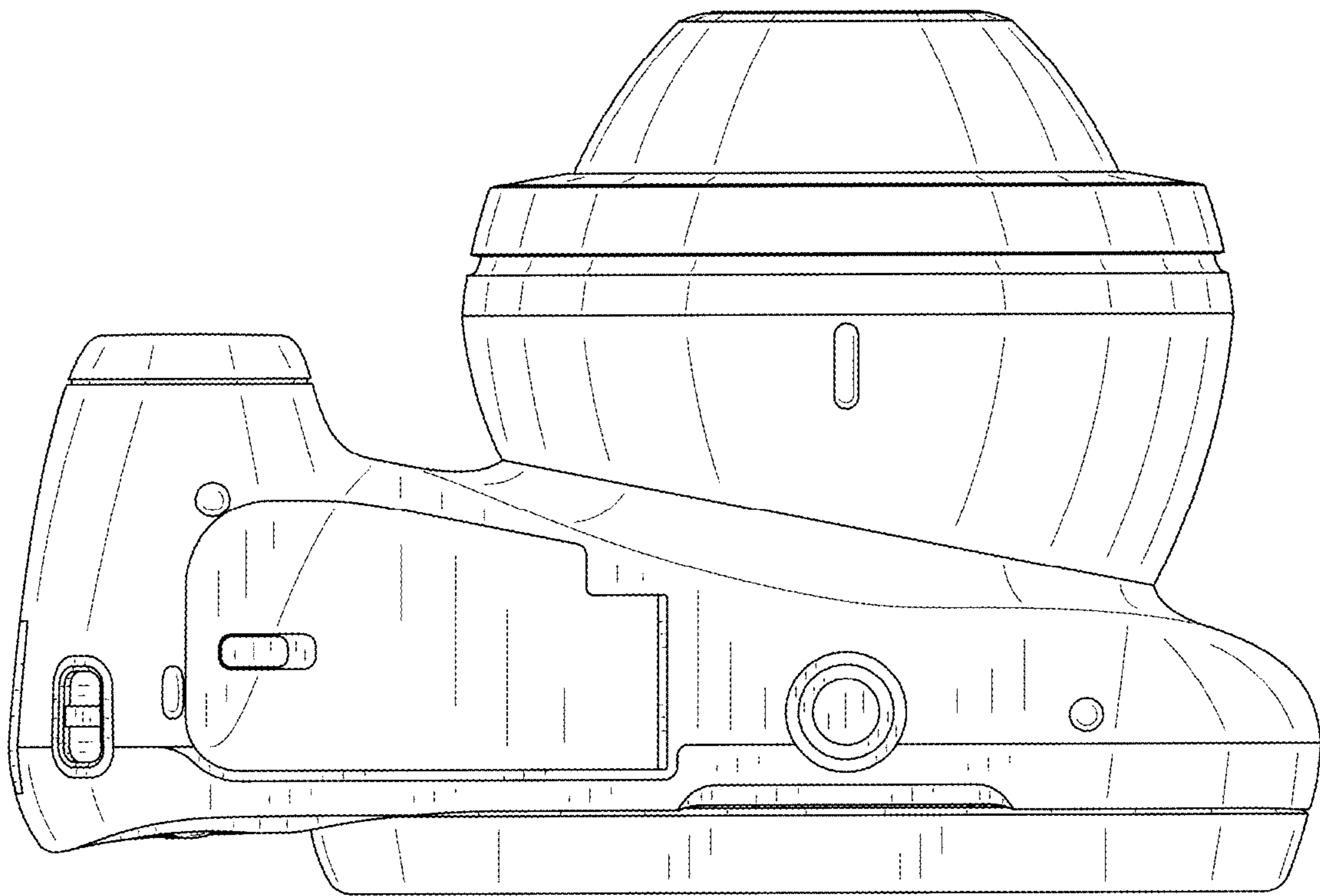
**FIG. 4**



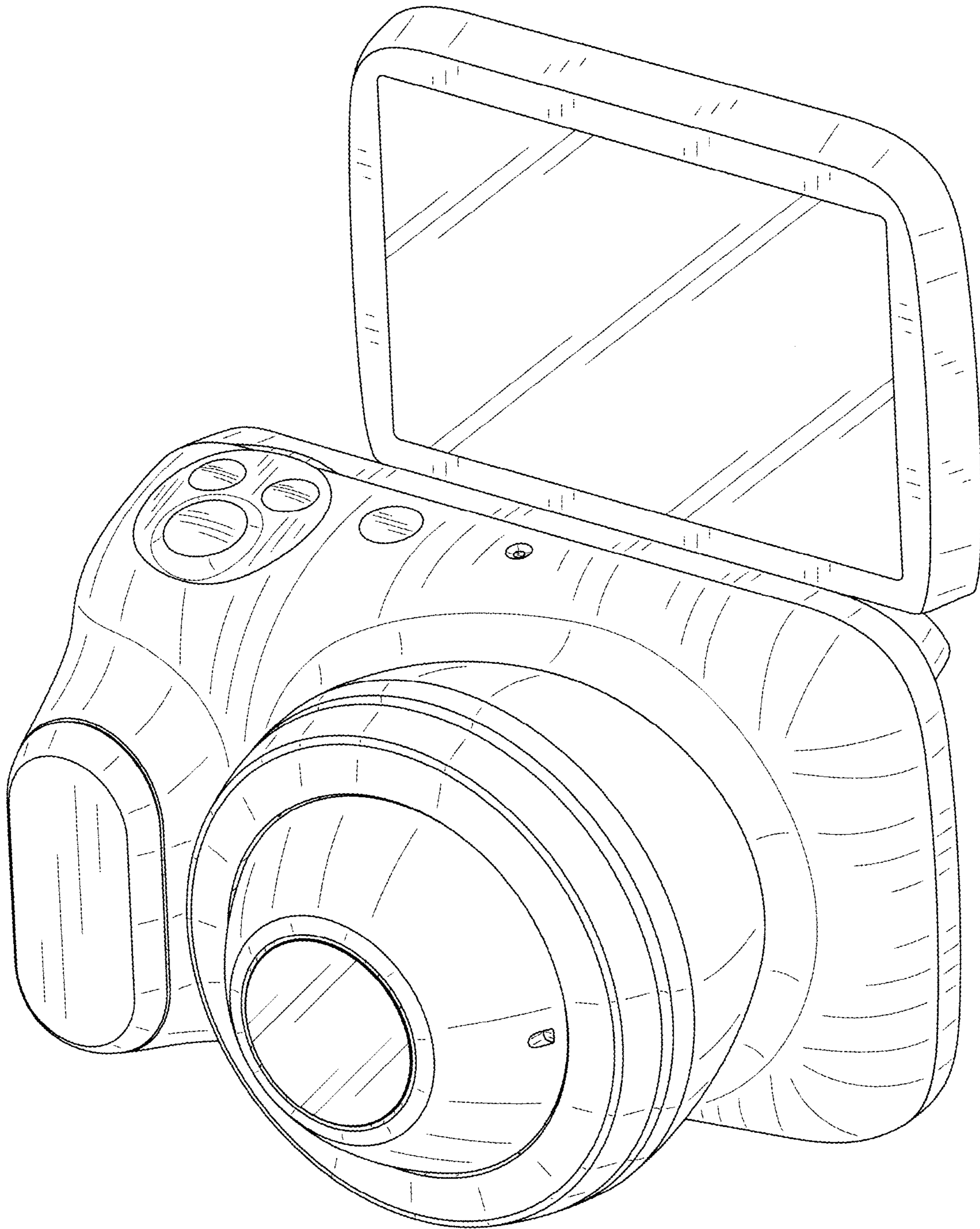
**FIG. 5**



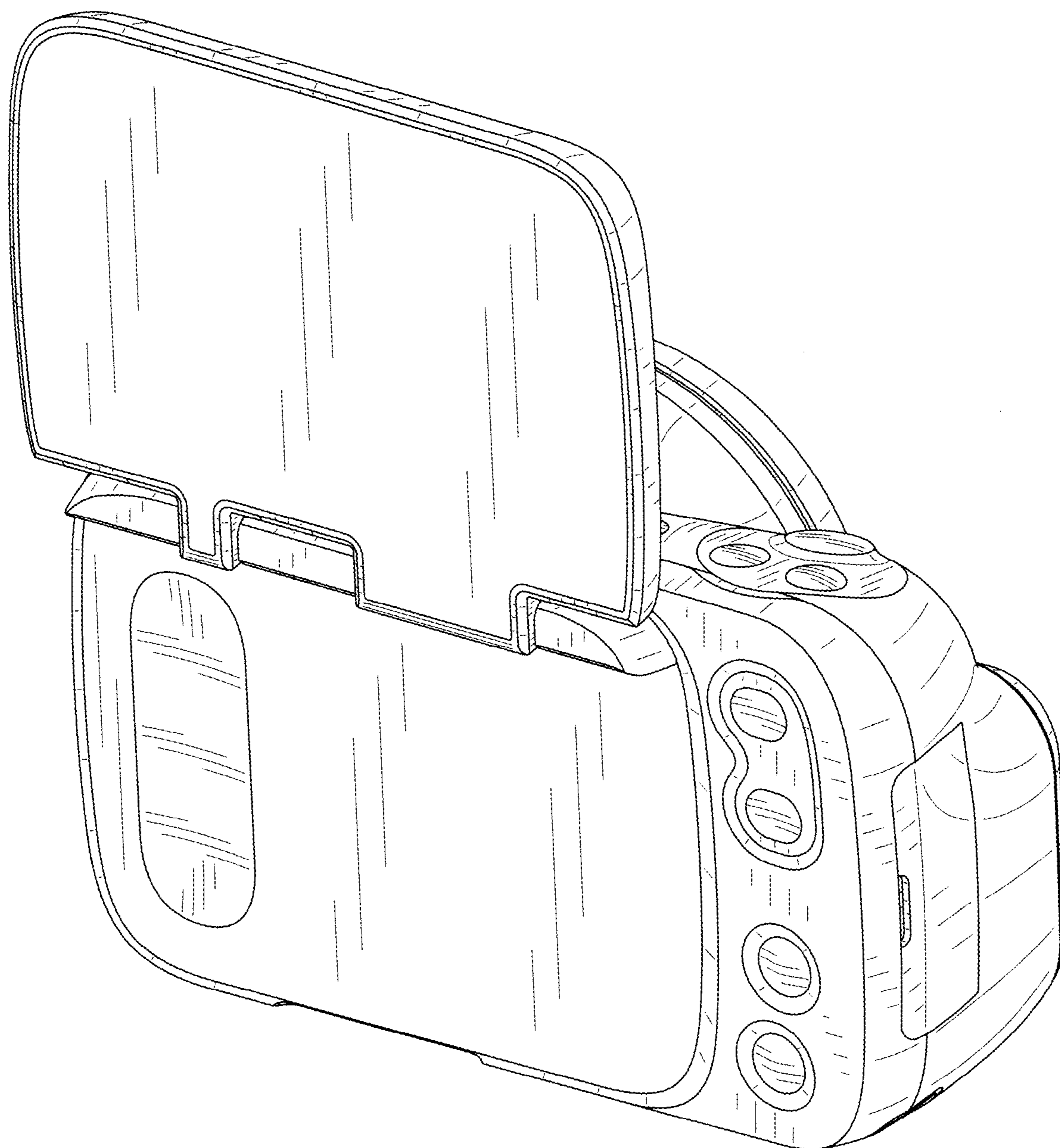
**FIG. 6**



**FIG. 7**



**FIG. 8**



**FIG. 9**