



US00D898798S

(12) **United States Design Patent**  
**Xiong**

(10) **Patent No.:** **US D898,798 S**

(45) **Date of Patent:** **\*\* Oct. 13, 2020**

(54) **CAMERA**

(71) Applicant: **Shenzhen Shangweida Technology Co., Ltd.**, Shenzhen (CN)

(72) Inventor: **Lijun Xiong**, Jingzhou (CN)

(\*\*) Term: **15 Years**

(21) Appl. No.: **29/699,251**

(22) Filed: **Jul. 24, 2019**

(51) **LOC (12) Cl.** ..... **16-01**

(52) **U.S. Cl.**

USPC ..... **D16/202**; D16/203

(58) **Field of Classification Search**

USPC ..... D16/200–208, 210, 214, 218, 219, 242;  
D10/65, 70, 74, 106.6; 348/373–376;  
358/906; 396/419, 427, 428, 535,  
396/539–541

CPC ..... G03B 15/03; G03B 17/02; G03B 17/04;  
G03B 17/56; G03B 19/04; H04N 5/2251;  
H04N 5/2252; H04N 5/2253; H04N  
5/2254; H04N 2101/00

See application file for complete search history.

(56) **References Cited**

**U.S. PATENT DOCUMENTS**

D453,177 S *	1/2002	Uehara	.....	D16/202
D460,978 S *	7/2002	Toste	.....	D16/203
D657,808 S *	4/2012	Woodman	.....	D16/200
D674,428 S *	1/2013	Woodman	.....	D16/218
D674,429 S *	1/2013	Woodman	.....	D16/218

8,544,643 B2 \* 10/2013 Yim ..... G03B 17/08  
206/316.2

D694,797 S \* 12/2013 Parker ..... D16/203

D696,707 S \* 12/2013 Guastadini ..... D16/202

D702,747 S \* 4/2014 Woodman ..... D16/200

D713,439 S \* 9/2014 Zhang ..... D16/210

D721,753 S \* 1/2015 Park ..... D16/202

D849,098 S \* 5/2019 Kapuria ..... D16/208

\* cited by examiner

*Primary Examiner* — Ramzi S Almatrahi

(74) *Attorney, Agent, or Firm* — HYIP

(57) **CLAIM**

The ornamental design for a camera, as shown and described.

**DESCRIPTION**

FIG. 1 is a top, front and right side perspective view of a camera showing my new design;

FIG. 2 is a bottom, rear and left side perspective view thereof;

FIG. 3 is a front view thereof;

FIG. 4 is a back view thereof;

FIG. 5 is a left side view thereof;

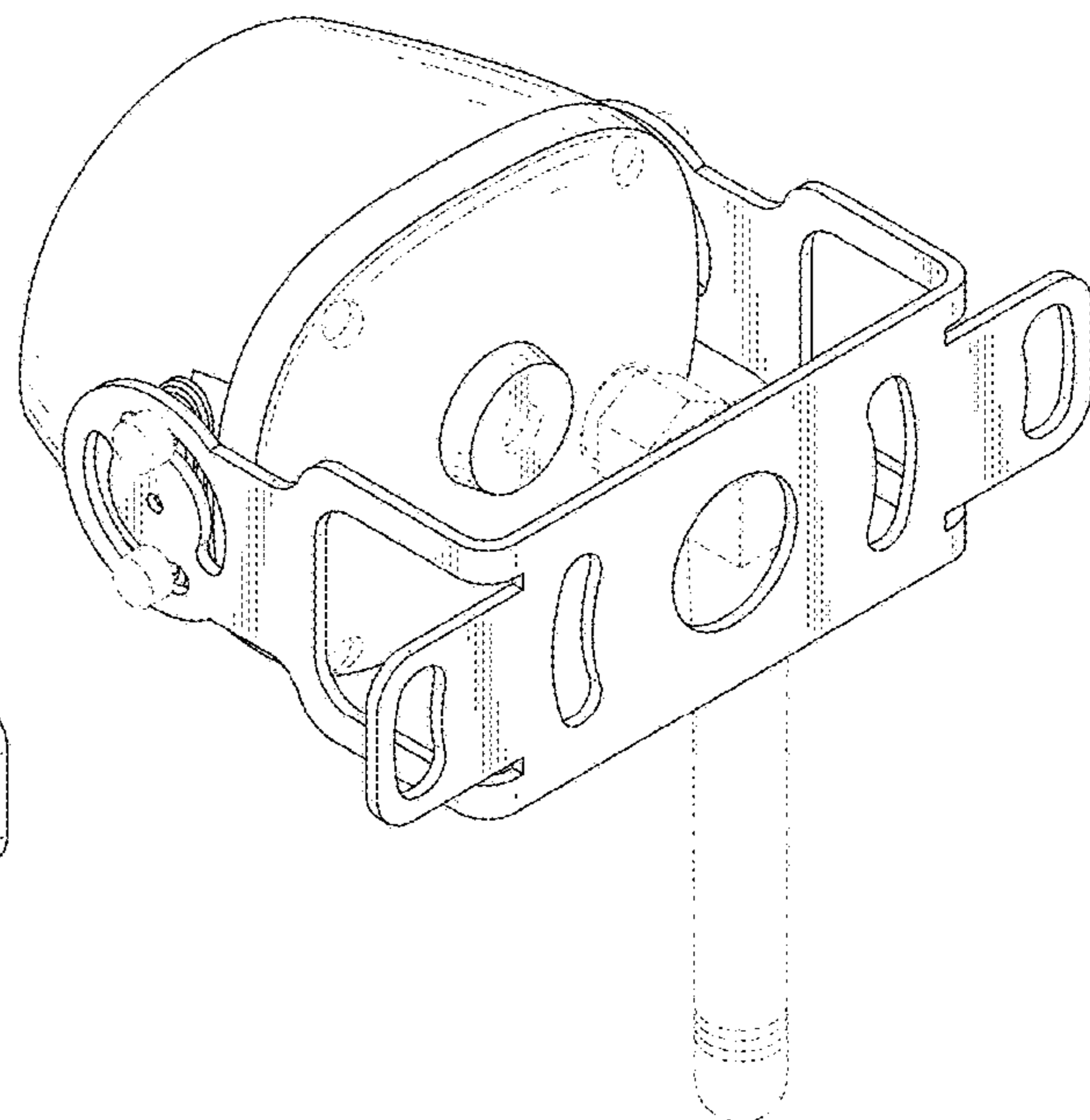
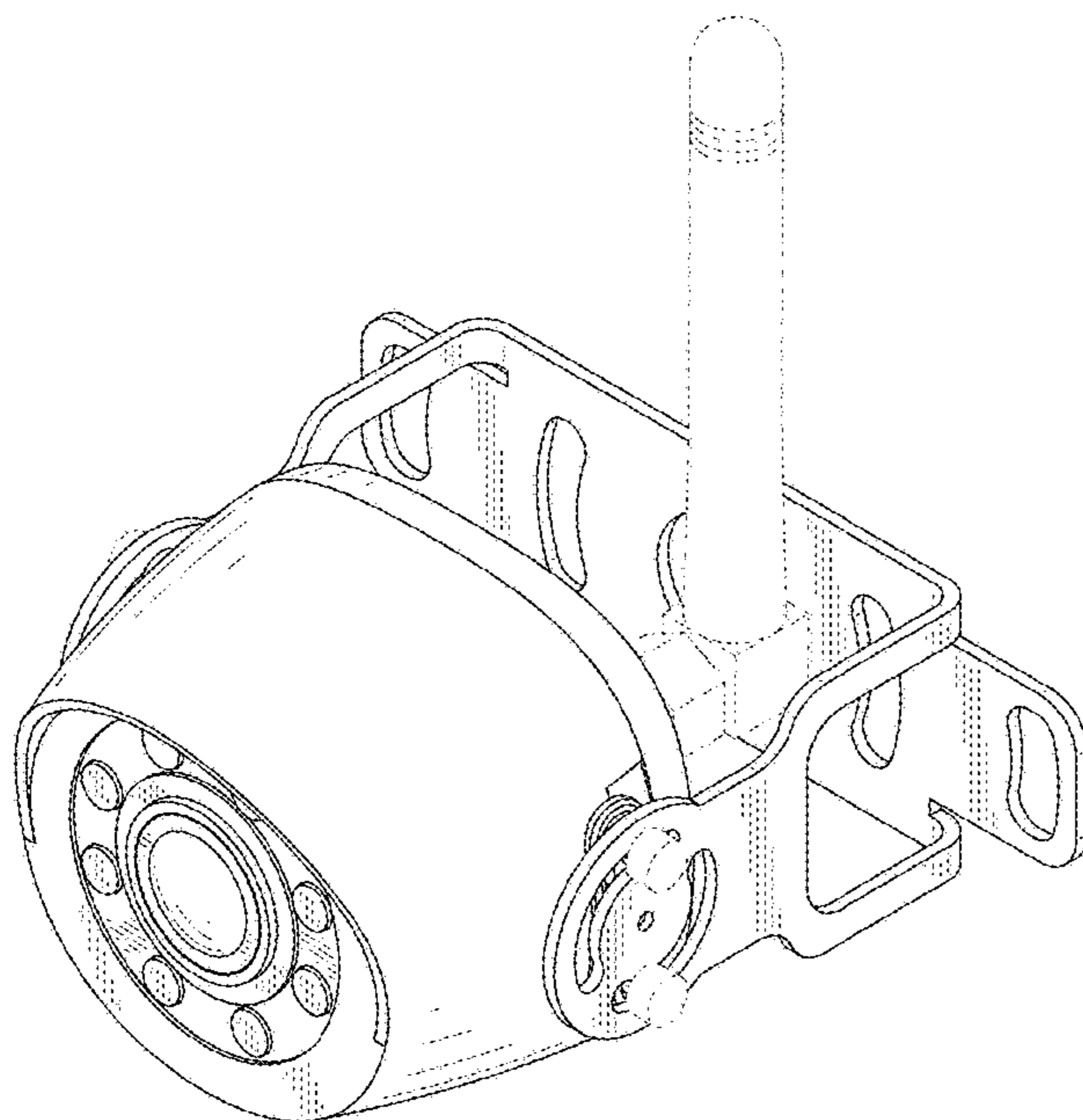
FIG. 6 is a right side view thereof;

FIG. 7 is a top plan view thereof; and,

FIG. 8 is a bottom plan view thereof.

The broken lines shown in the drawings depict portions of the camera in which the design is embodied that form no part of the claimed design.

**1 Claim, 8 Drawing Sheets**



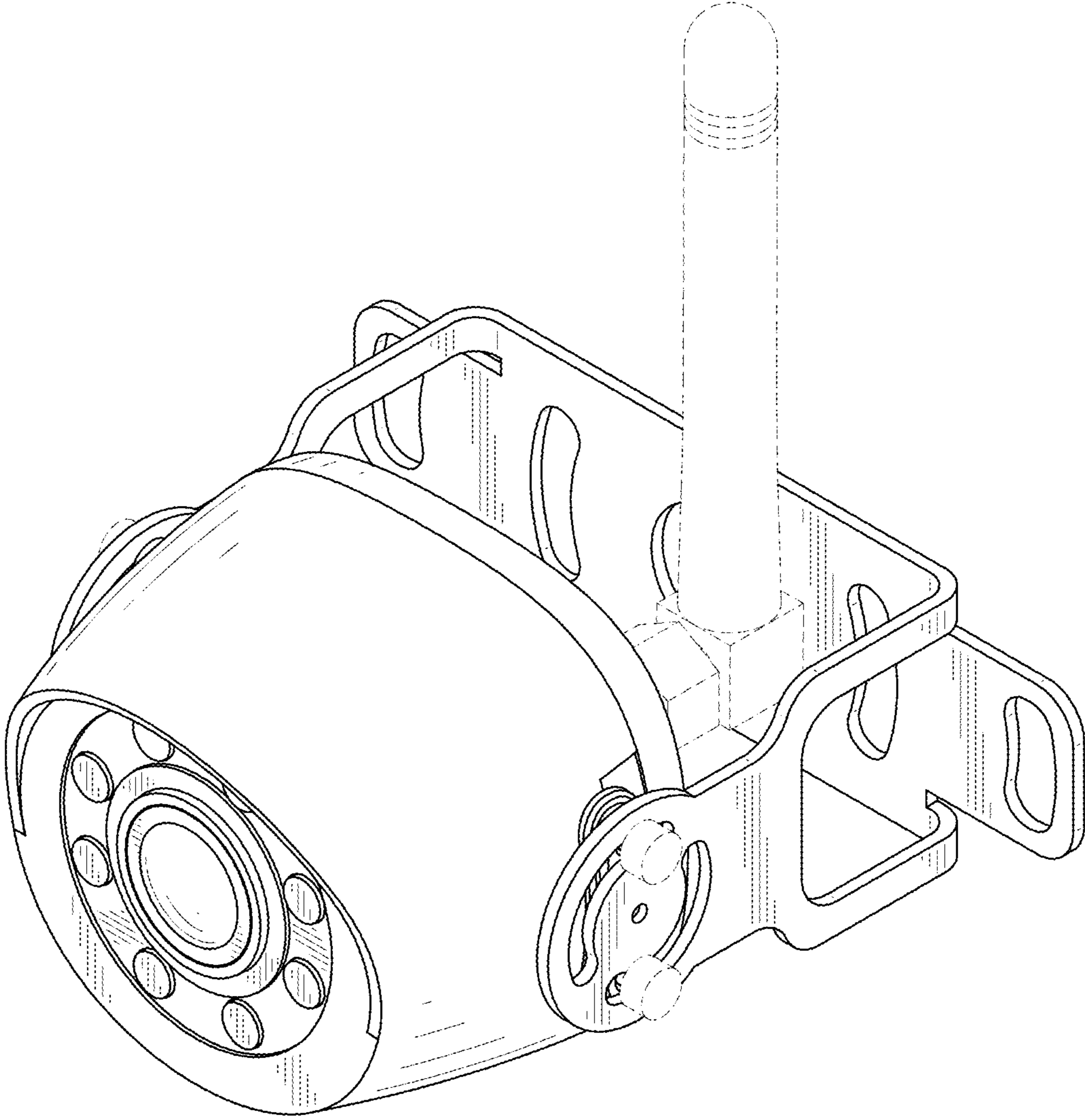


FIG. 1

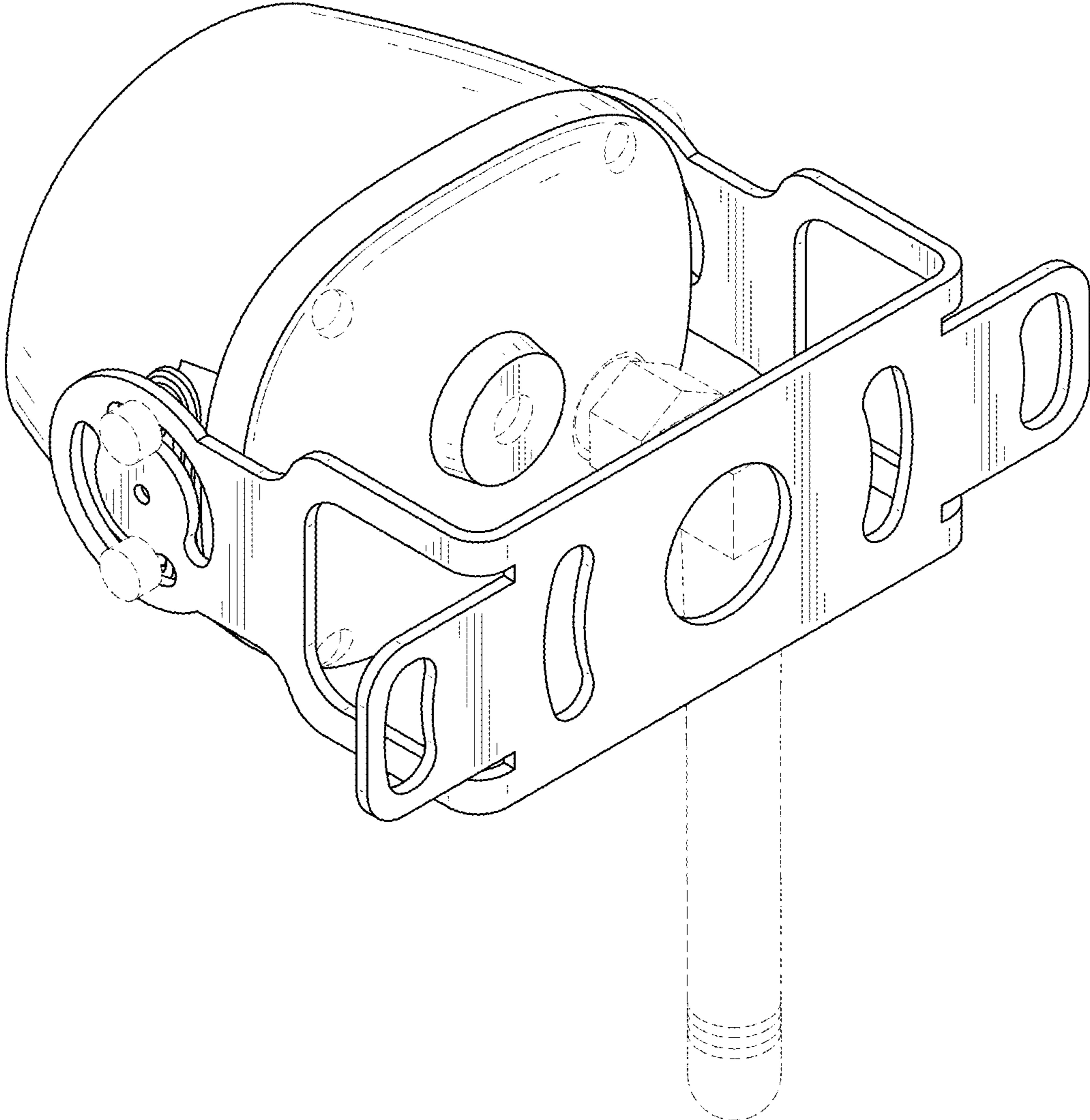


FIG. 2

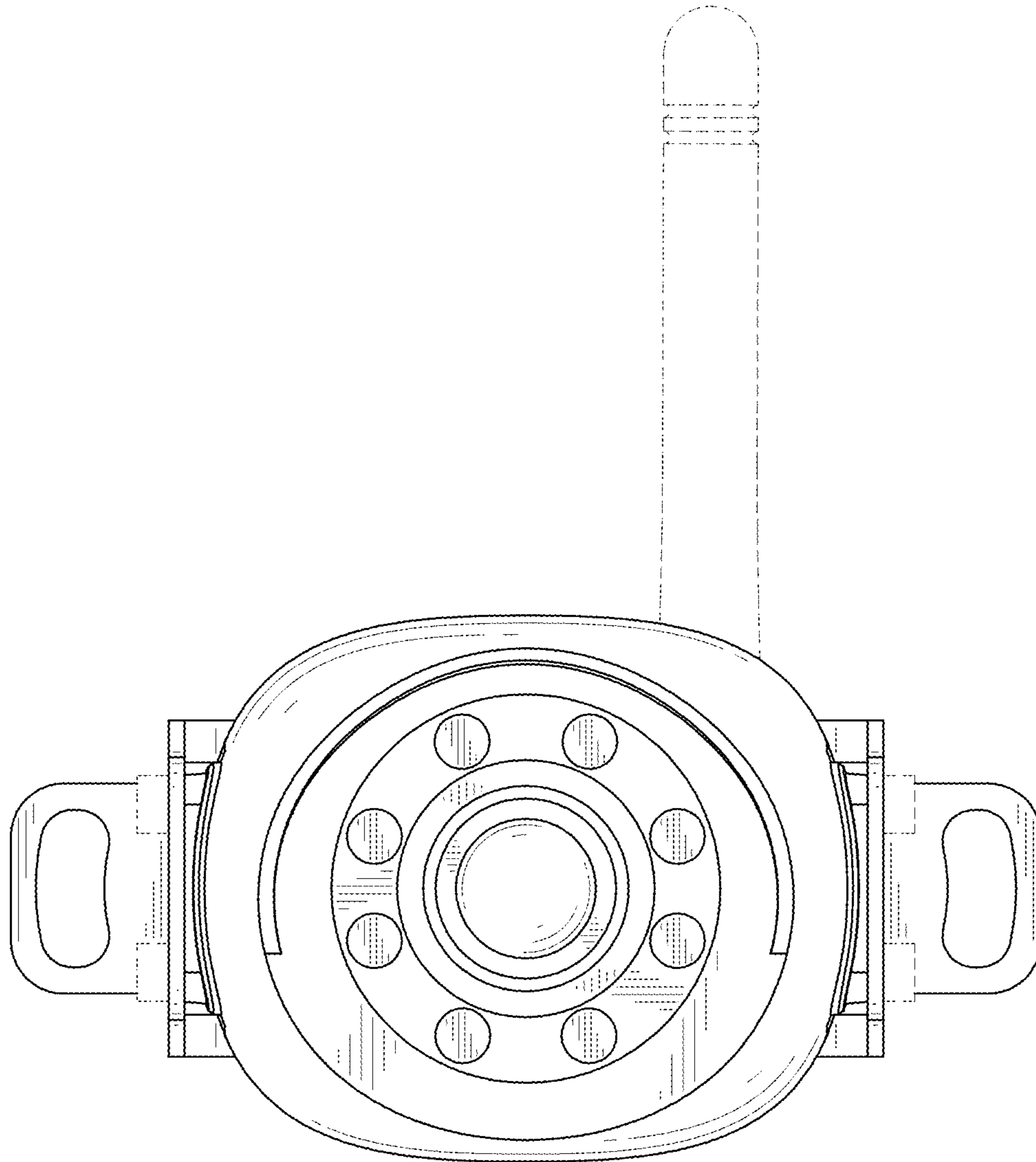


FIG. 3



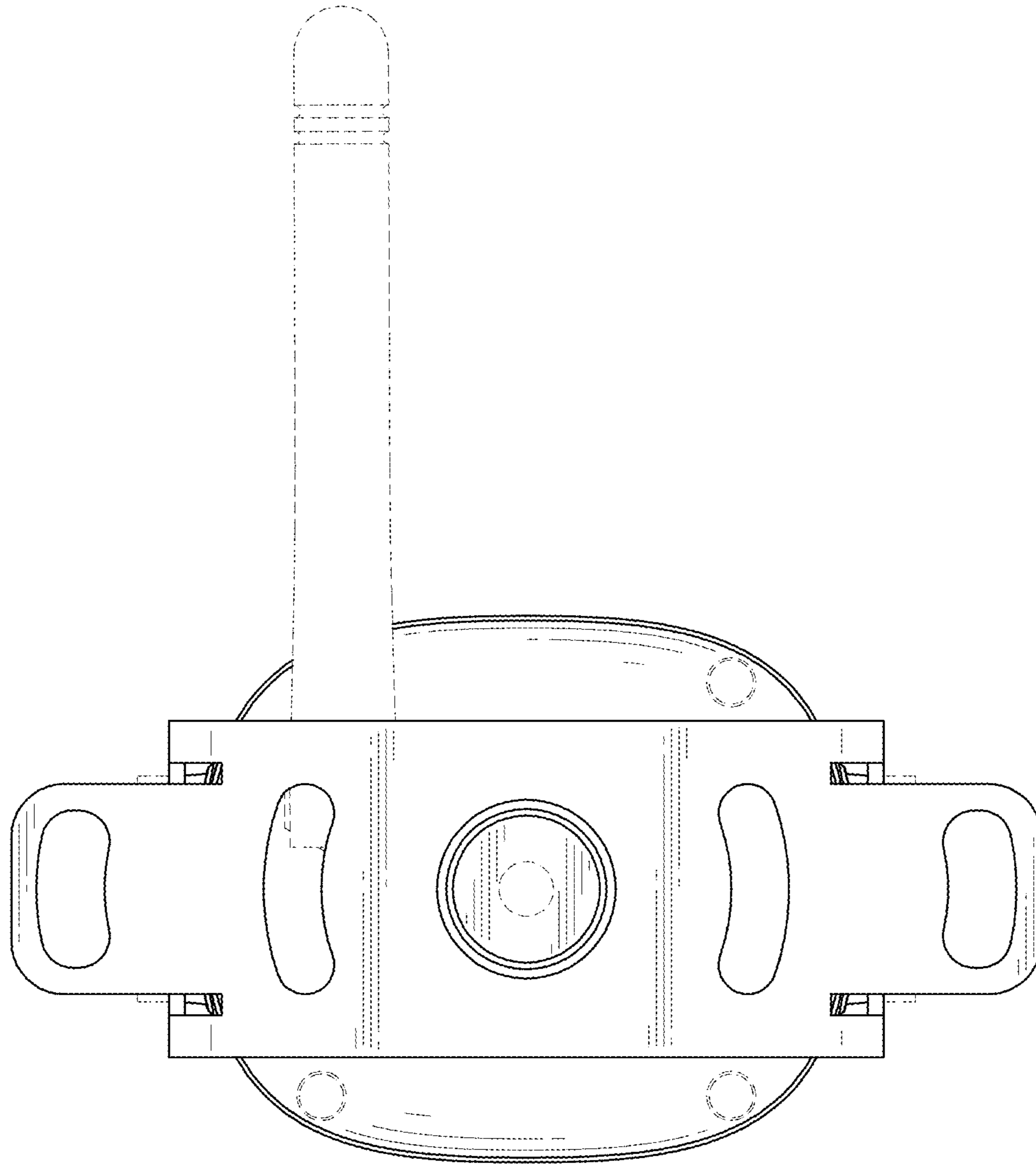


FIG. 4

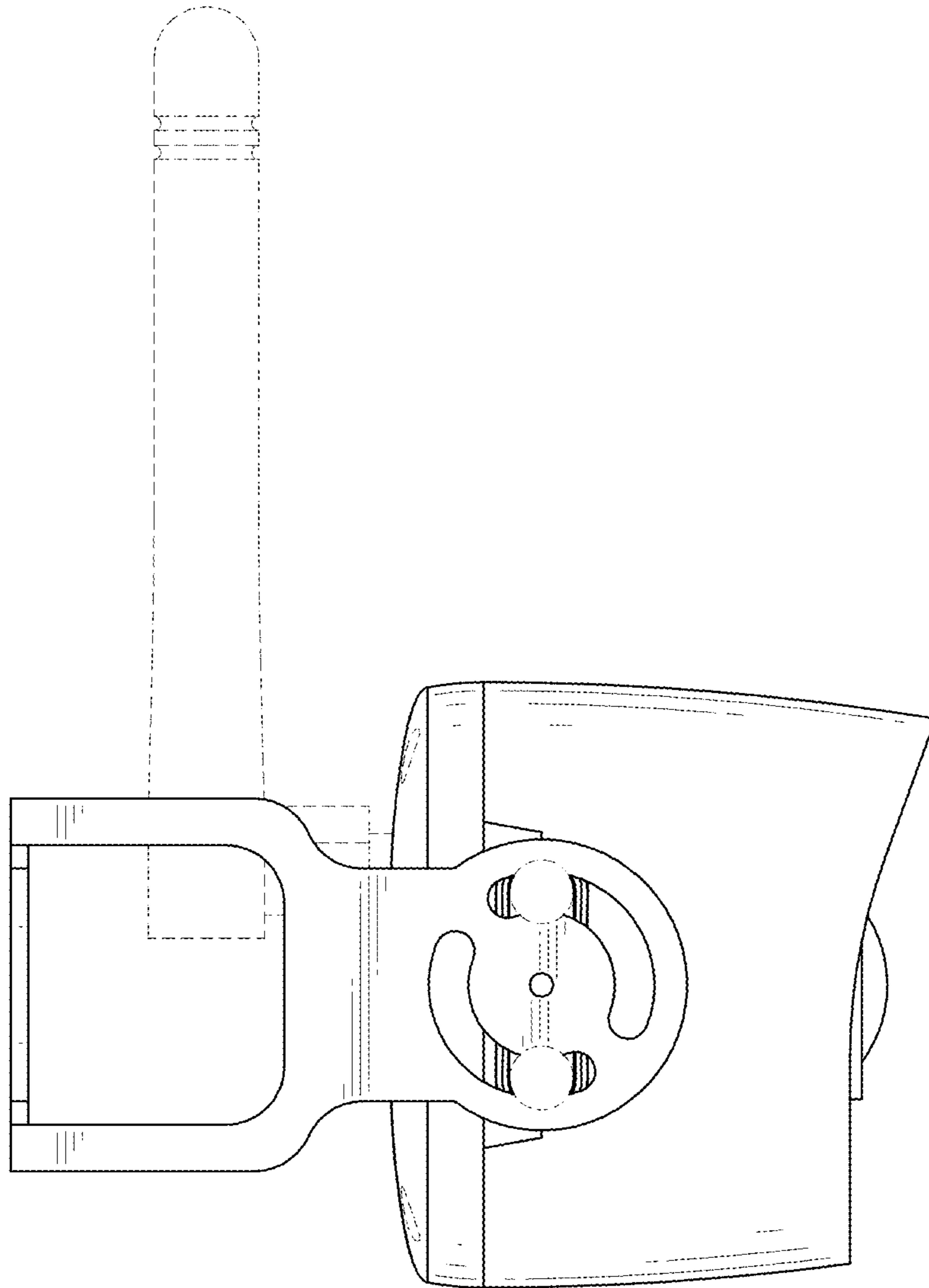


FIG. 5

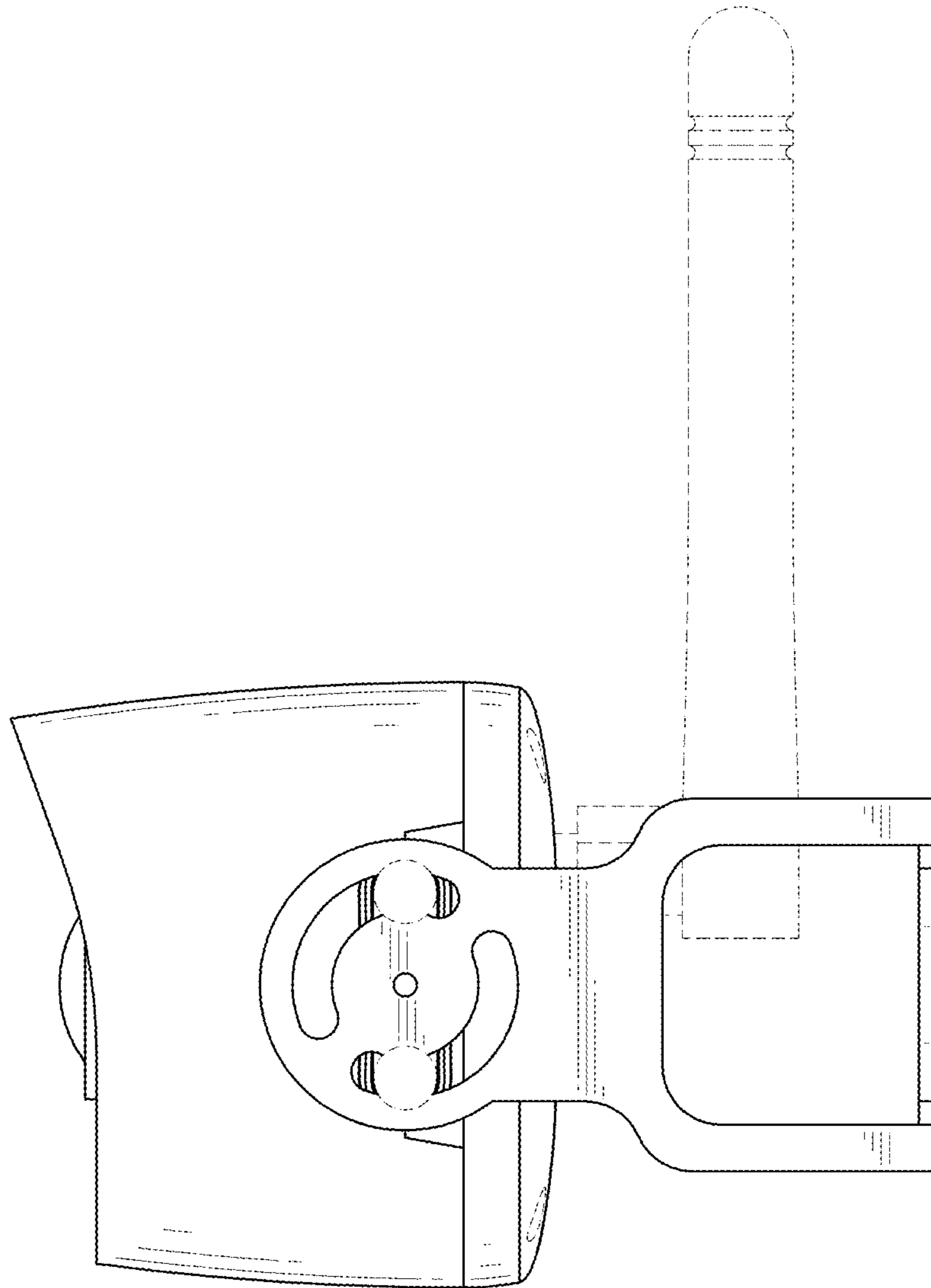


FIG. 6

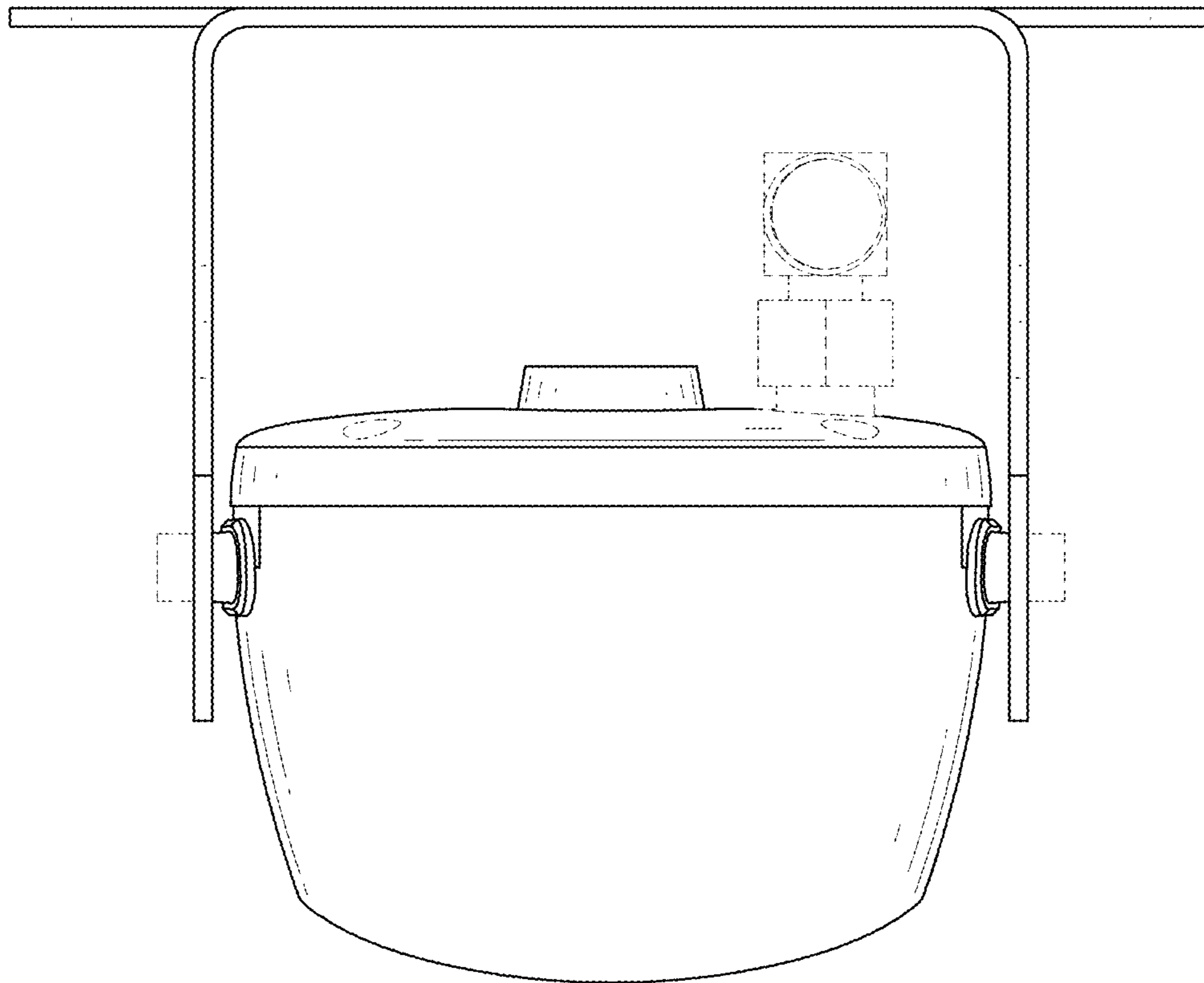


FIG. 7



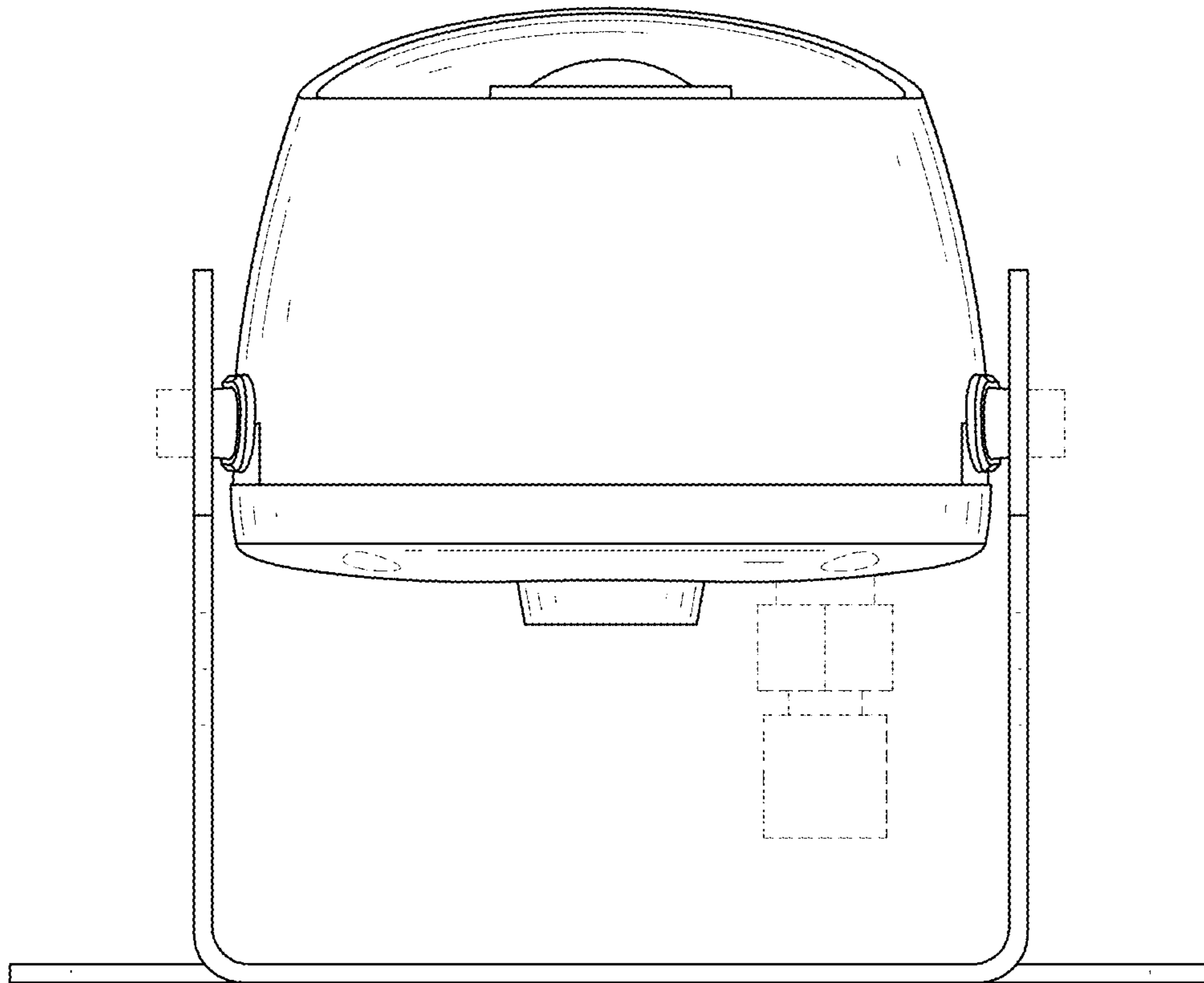


FIG. 8