



US00D898797S

(12) **United States Design Patent**
Hung et al.

(10) **Patent No.:** **US D898,797 S**
(45) **Date of Patent:** **** Oct. 13, 2020**

(54) **ELECTRONIC CAMERA**

(71) Applicant: **Canon Electronic Business Machines (H.K) Co., Ltd., Kwai Chung (HK)**

(72) Inventors: **Hoi Rex Hung, Hong Kong (HK); Ka Lap Ronald Chan, Hong Kong (HK); Chi Tat Leung, Hong Kong (HK)**

(73) Assignee: **Canon Electronic Business Machines (H.K.) Co., Ltd., Kwai Chung (HK)**

(**) Term: **15 Years**

(21) Appl. No.: **29/680,917**

(22) Filed: **Feb. 21, 2019**

(30) **Foreign Application Priority Data**

Sep. 21, 2018 (JP) 2018-020649

(51) **LOC (12) Cl.** **16-01**

(52) **U.S. Cl.**
USPC **D16/202**

(58) **Field of Classification Search**
USPC D16/200, 202-206, 208-209, 212, 218, D16/219; 348/373-376; 396/448, 535, 396/539-541
CPC G03B 15/03; G03B 17/02; G03B 17/04; G03B 17/56; G03B 19/04; H04N 5/2251; H04N 5/2252; H04N 5/2253; H04N 5/2254; H04N 2101/00
See application file for complete search history.

(56) **References Cited**

U.S. PATENT DOCUMENTS

D657,408 S * 4/2012 Tainaka D16/202
D668,281 S * 10/2012 Nakamura D16/202

D683,781 S * 6/2013 Imai D16/202
D684,204 S * 6/2013 Uemachi D16/200
D689,535 S * 9/2013 Nojima D16/202
D695,329 S * 12/2013 Fujita D16/202
D695,805 S * 12/2013 Sakai D16/202
D702,748 S * 4/2014 Muraki D16/202
D707,742 S * 6/2014 Imamizu D16/202
D717,353 S * 11/2014 Kobayashi D16/202
D829,798 S * 10/2018 Lagerstedt D16/202
D829,799 S * 10/2018 Piekarski D16/202
2011/0109790 A1 * 5/2011 Shinohara H04N 5/2252
348/373

* cited by examiner

Primary Examiner — Ramzi S Almatrahi

(74) *Attorney, Agent, or Firm* — Venable LLP

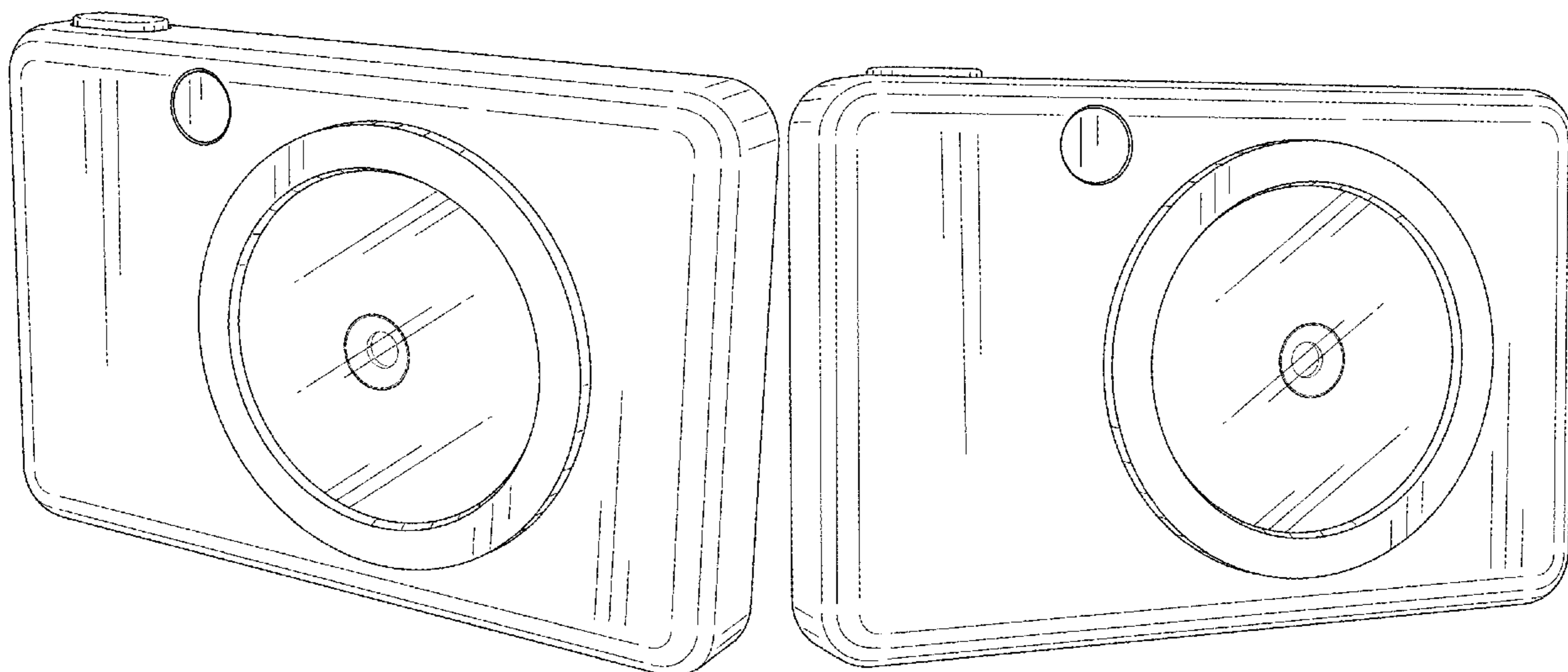
(57) **CLAIM**

The ornamental design for an electronic camera, as shown and described.

DESCRIPTION

FIG. 1 is a front view of an electronic camera showing our new design;
FIG. 2 is a rear view thereof;
FIG. 3 is a top plan view thereof;
FIG. 4 is a bottom plan view thereof;
FIG. 5 is a left side view thereof;
FIG. 6 is a right side view thereof;
FIG. 7 is a top perspective view thereof;
FIG. 8 is a right side perspective view thereof; and,
FIG. 9 is a left side perspective view thereof.

1 Claim, 5 Drawing Sheets



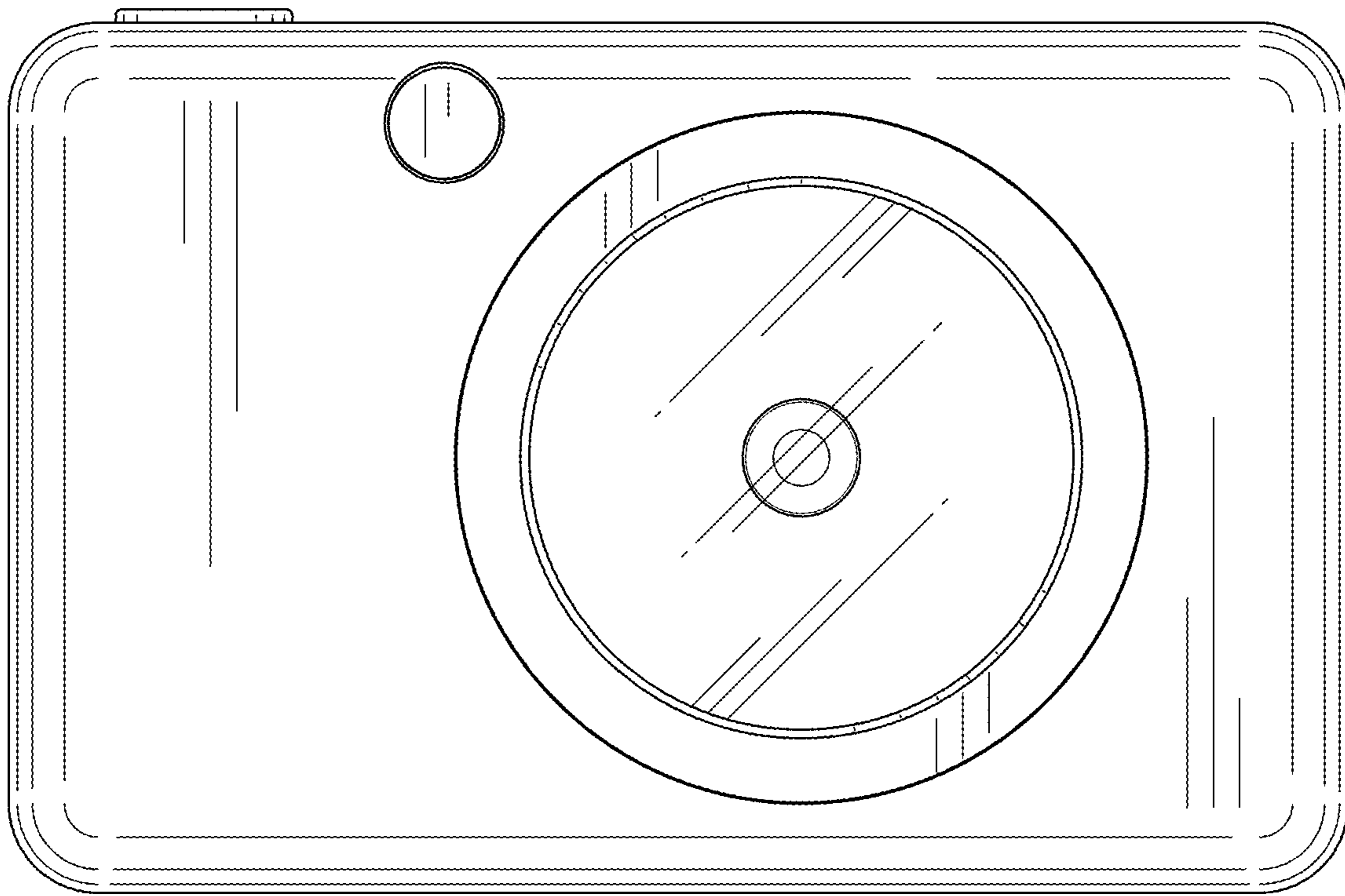


FIG. 1

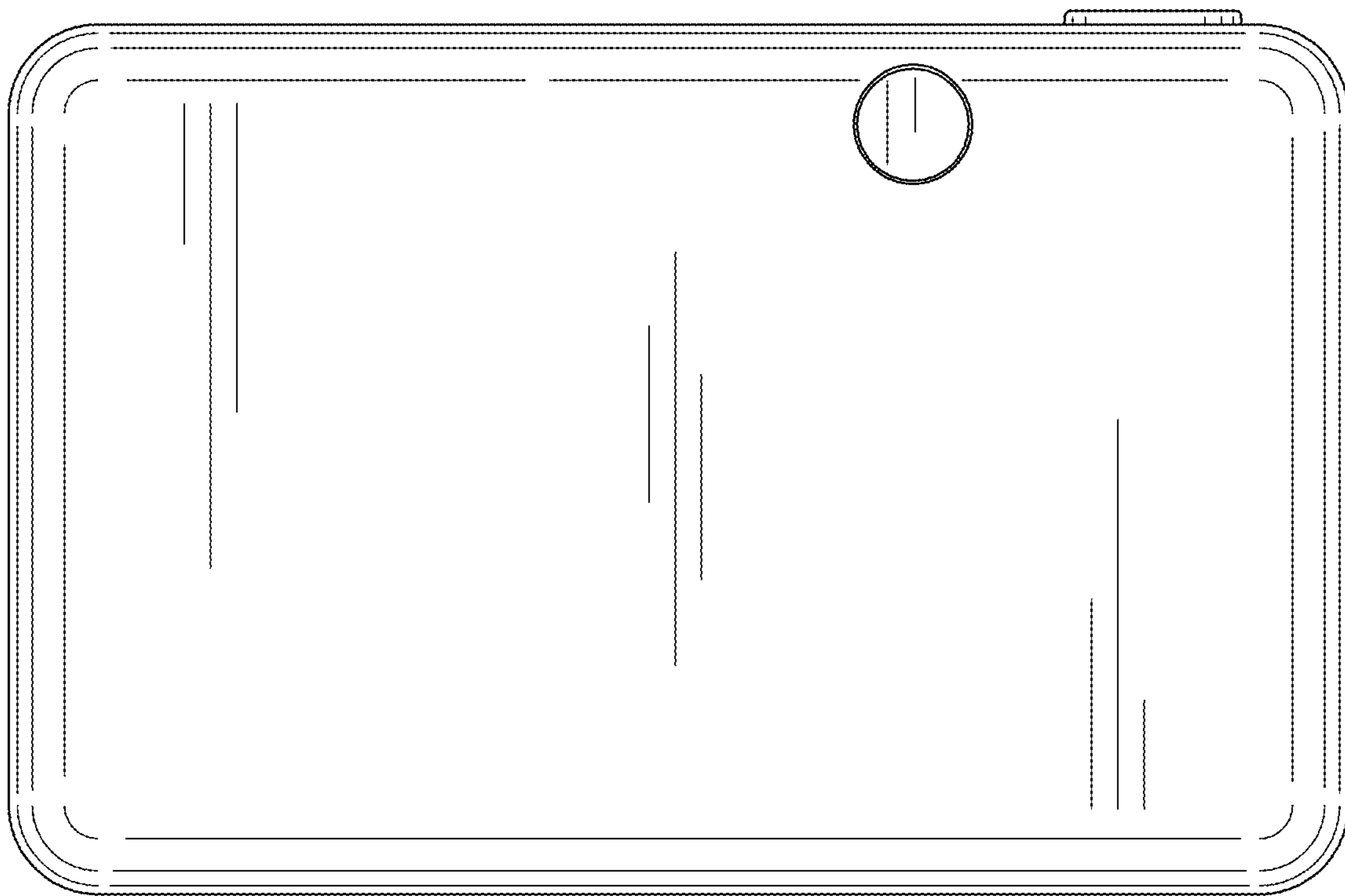


FIG. 2

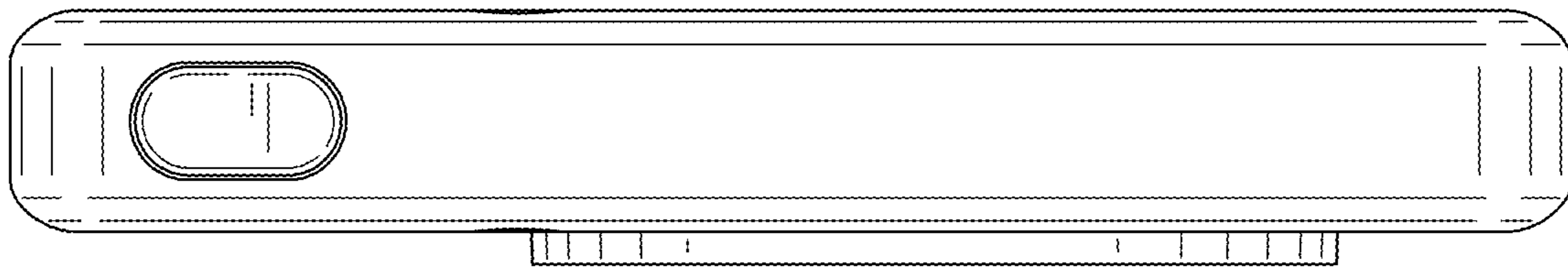


FIG. 3

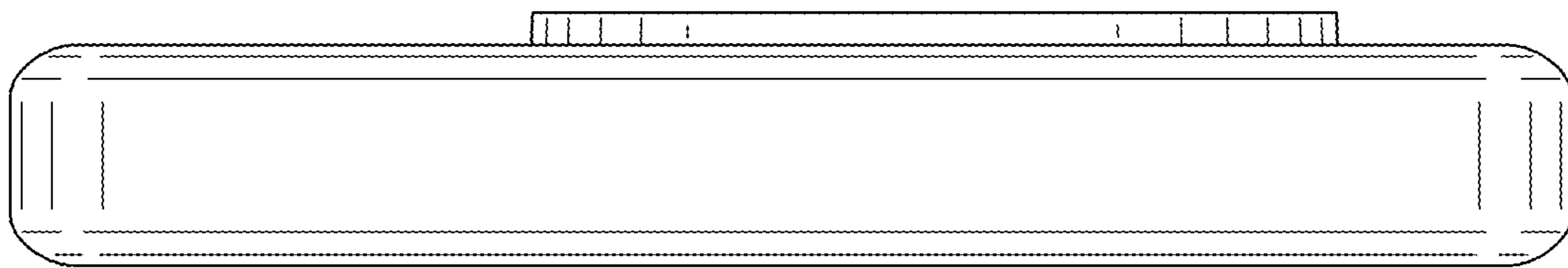


FIG. 4

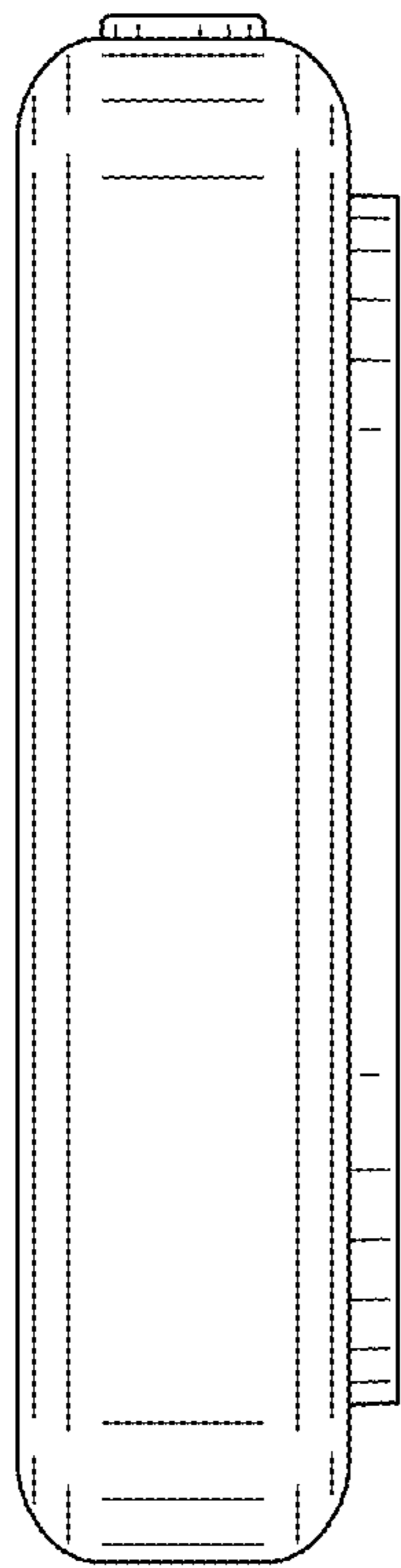


FIG. 5

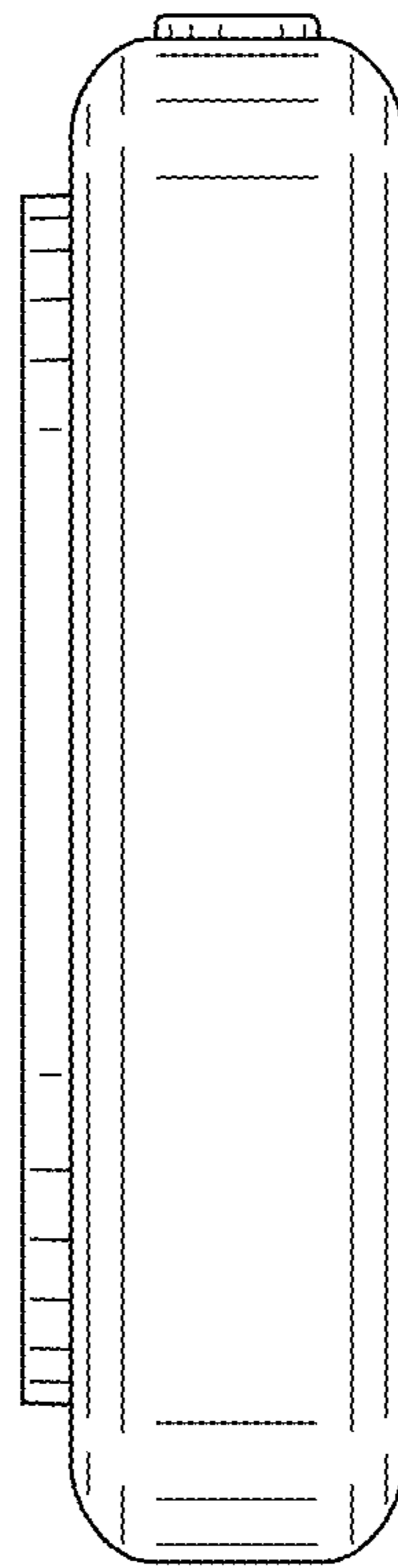


FIG. 6

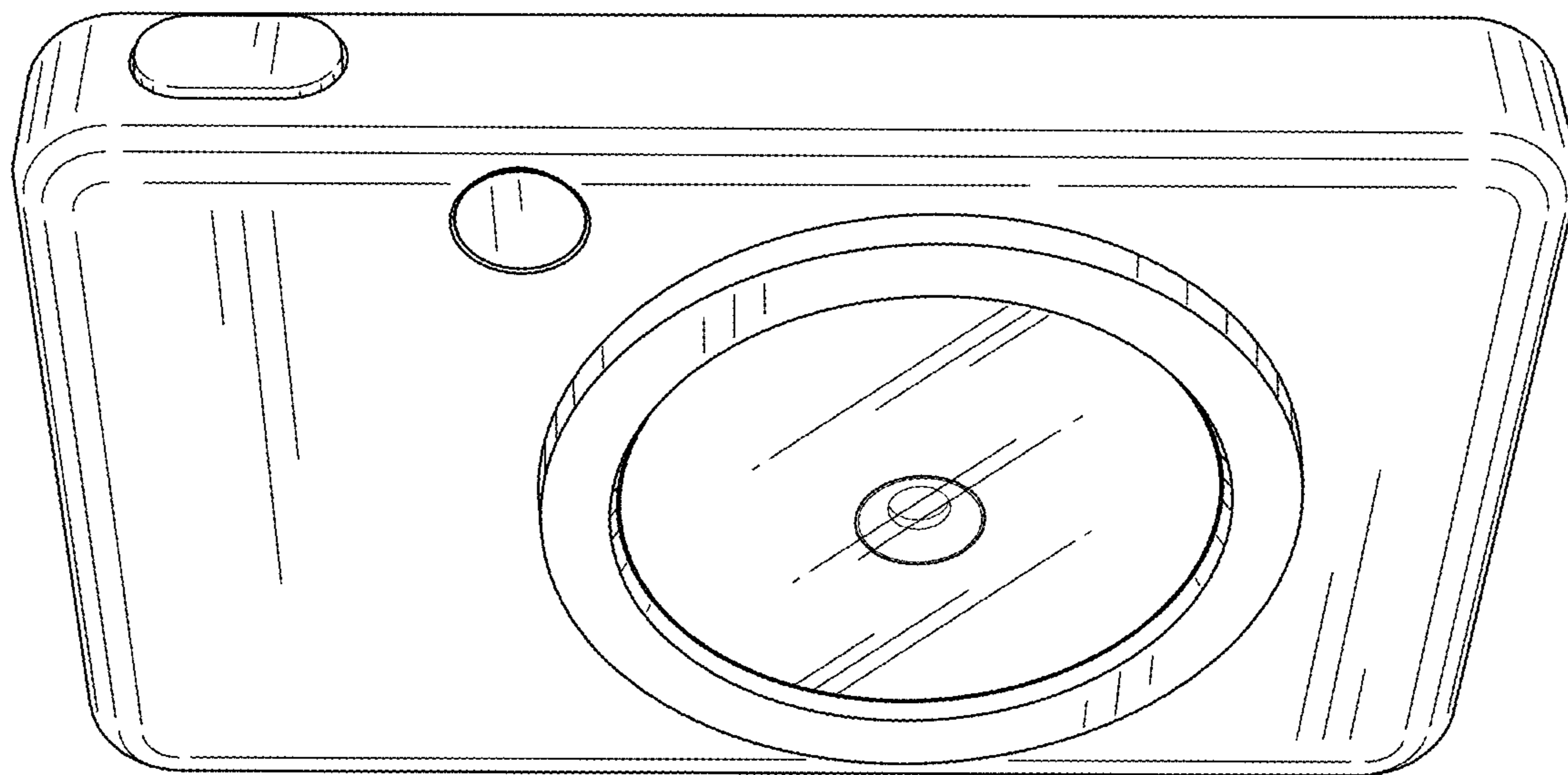


FIG. 7

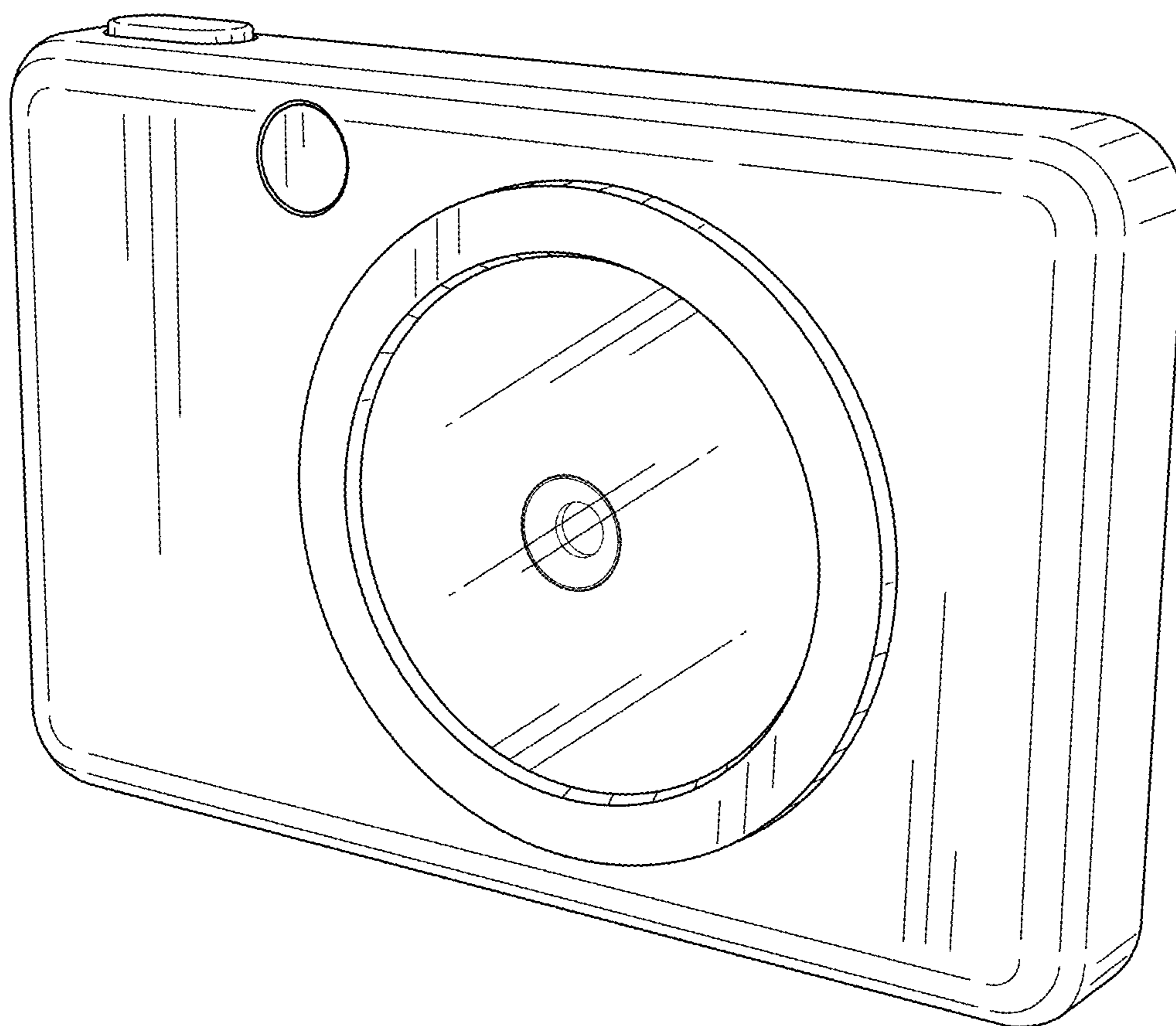


FIG. 8

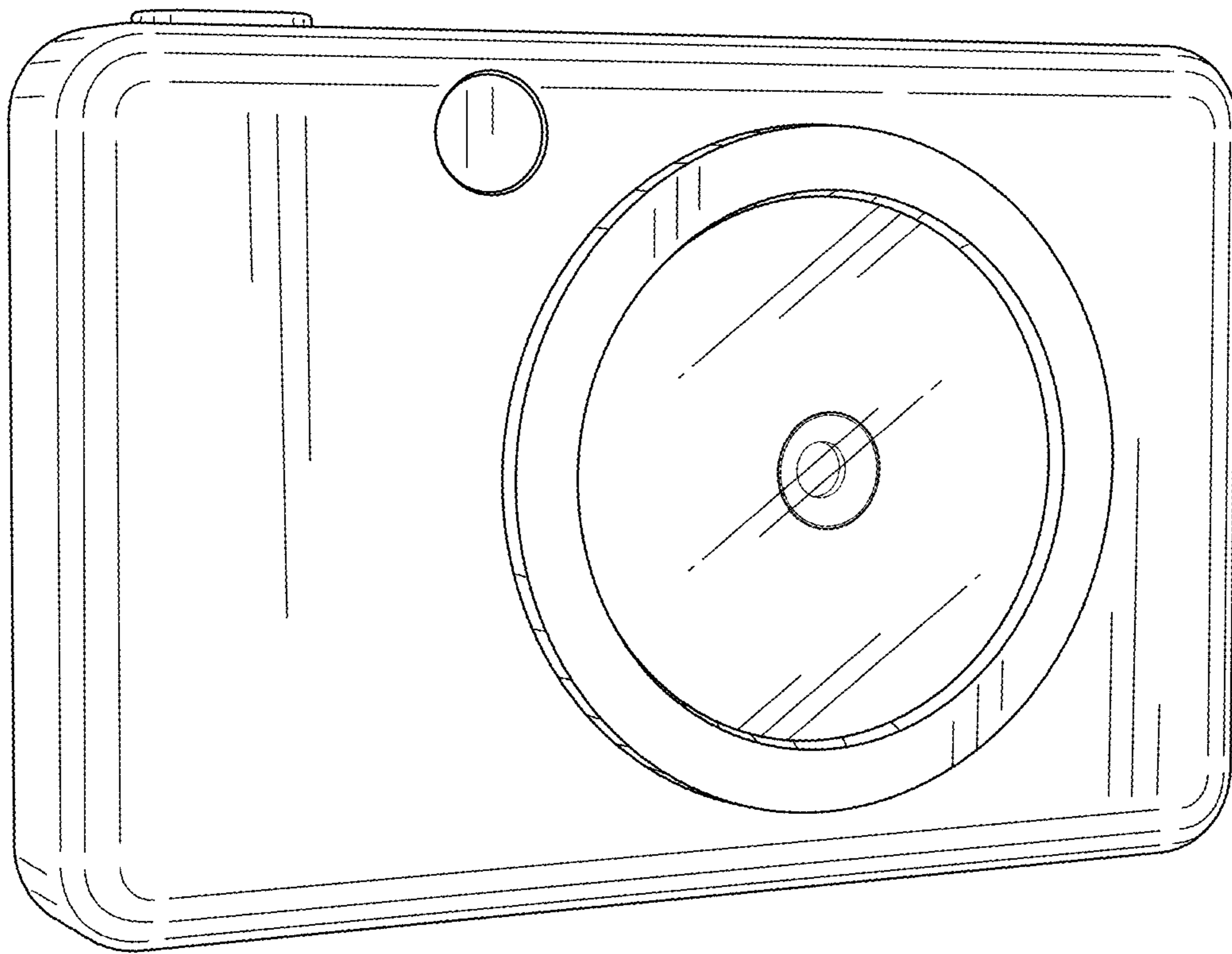


FIG. 9