



US00D898794S

(12) **United States Design Patent**
Fischbach

(10) **Patent No.:** **US D898,794 S**

(45) **Date of Patent:** **** Oct. 13, 2020**

(54) **FIELD GLASSES**

(71) Applicant: **STEINER-OPTIK GmbH**, Bayreuth (DE)

(72) Inventor: **Manfred Fischbach**, Stammbach (DE)

(73) Assignee: **STEINER-OPTIK GMBH**, Bayreuth (DE)

(**) Term: **15 Years**

(21) Appl. No.: **29/663,958**

(22) Filed: **Sep. 20, 2018**

(30) **Foreign Application Priority Data**

Mar. 21, 2018	(EM)	004904506-0001
Mar. 21, 2018	(EM)	004904506-0002
Mar. 21, 2018	(EM)	004904506-0003
Mar. 21, 2018	(EM)	004904506-0004
Mar. 21, 2018	(EM)	004904506-0005
Mar. 21, 2018	(EM)	004904506-0006
Mar. 21, 2018	(EM)	004904506-0007
Mar. 21, 2018	(EM)	004904506-0008
Mar. 21, 2018	(EM)	004904506-0009
Mar. 21, 2018	(EM)	004904506-0010
Mar. 21, 2018	(EM)	004904506-0011

(51) **LOC (12) Cl.** **16-06**

(52) **U.S. Cl.**
USPC **D16/133**

(58) **Field of Classification Search**
USPC D16/133, 130, 131, 132, 134-136;
D22/100, 108, 109, 110, 199
CPC G02B 23/16; G02B 23/12; G02B 23/18;
G02B 27/0176
See application file for complete search history.

(56) **References Cited**

U.S. PATENT DOCUMENTS

3,604,779 A *	9/1971	Reinhold	G02B 23/18
				359/415
D395,055 S *	6/1998	Lee	D16/133

D590,857 S *	4/2009	Fujii	D16/133
D592,690 S *	5/2009	Steiner	D16/133
D627,378 S *	11/2010	Watanabe	D16/133
7,911,691 B2 *	3/2011	Kobayashi	G02B 23/18
				359/407
D662,119 S *	6/2012	Hoshi	D16/133
D666,232 S *	8/2012	Fischbach	D16/133
D671,974 S *	12/2012	Wunnicke	D16/133
D681,709 S *	5/2013	Radau	D16/133
D693,867 S *	11/2013	Radau	D16/133
D713,437 S *	9/2014	Soejima	D16/133
D719,201 S *	12/2014	Marsiglia	D16/133

(Continued)

Primary Examiner — Mark A Goodwin

Assistant Examiner — Benjamin M Weeks

(74) *Attorney, Agent, or Firm* — Rimon, P.C.

(57) **CLAIM**

I claim the ornamental design for field glasses, as shown and described.

DESCRIPTION

FIG. 1 is an upper perspective view of field glasses showing my new design.

FIG. 2 is lower perspective view thereof.

FIG. 3 is a rear perspective view thereof.

FIG. 4 is another lower perspective view thereof.

FIG. 5 is a front view thereof.

FIG. 6 is a rear view thereof.

FIG. 7 is a left view thereof.

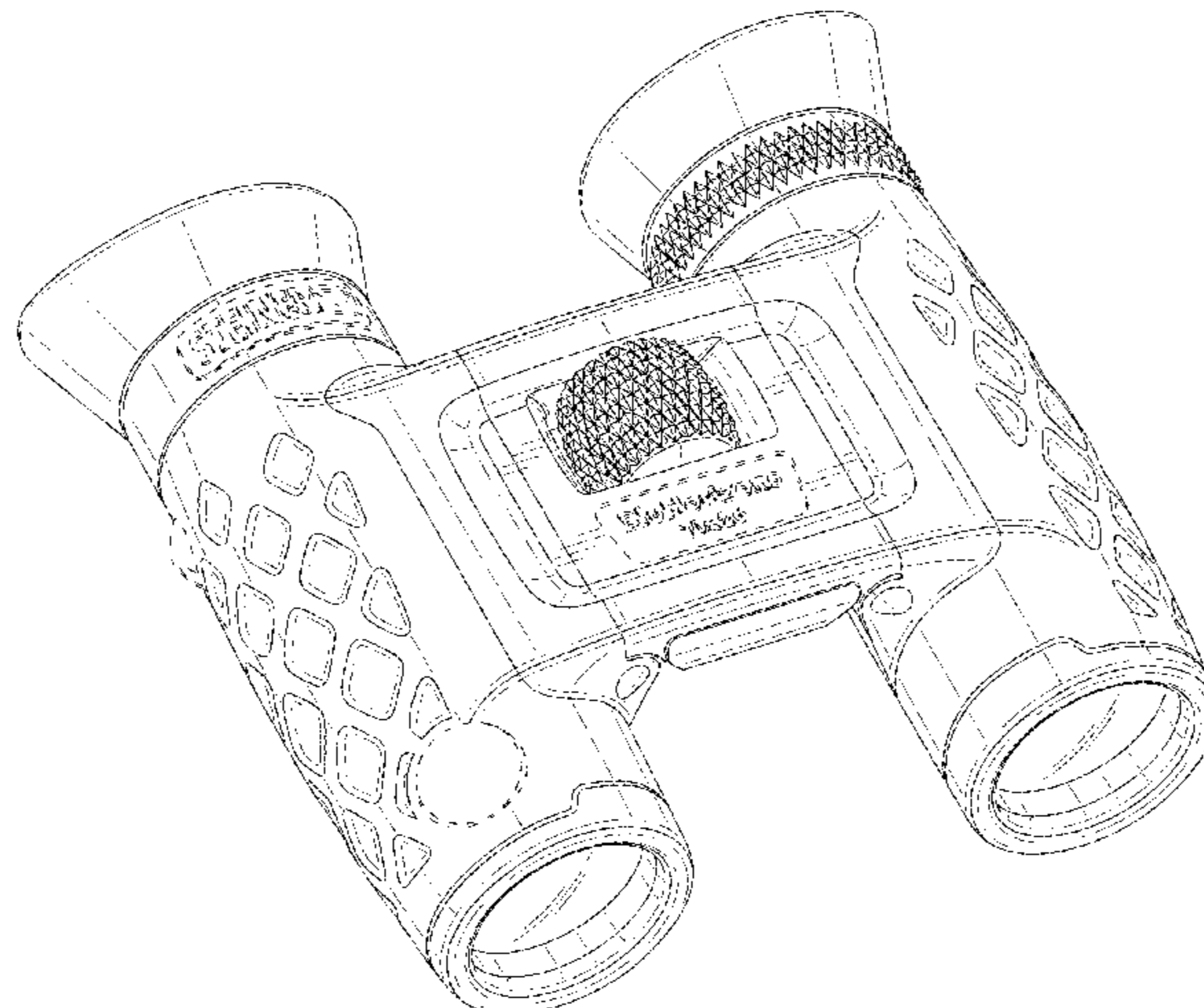
FIG. 8 is a right view thereof.

FIG. 9 is a top view thereof; and,

FIG. 10 is a bottom view thereof.

The broken lines represent portions of the field glasses and form no part of the claimed design. The shade lines shown represent surface shading and not surface ornamentation, color, or material type.

1 Claim, 10 Drawing Sheets



(56)

References Cited

U.S. PATENT DOCUMENTS

D780,243 S *	2/2017	Marsiglia	D16/133
D816,749 S *	5/2018	Kung	D16/133
D847,246 S *	4/2019	Fischbach	D16/133
D867,416 S *	11/2019	Radau	D16/133
2016/0054125 A1 *	2/2016	Hofmann	G02B 7/02 359/809

* cited by examiner

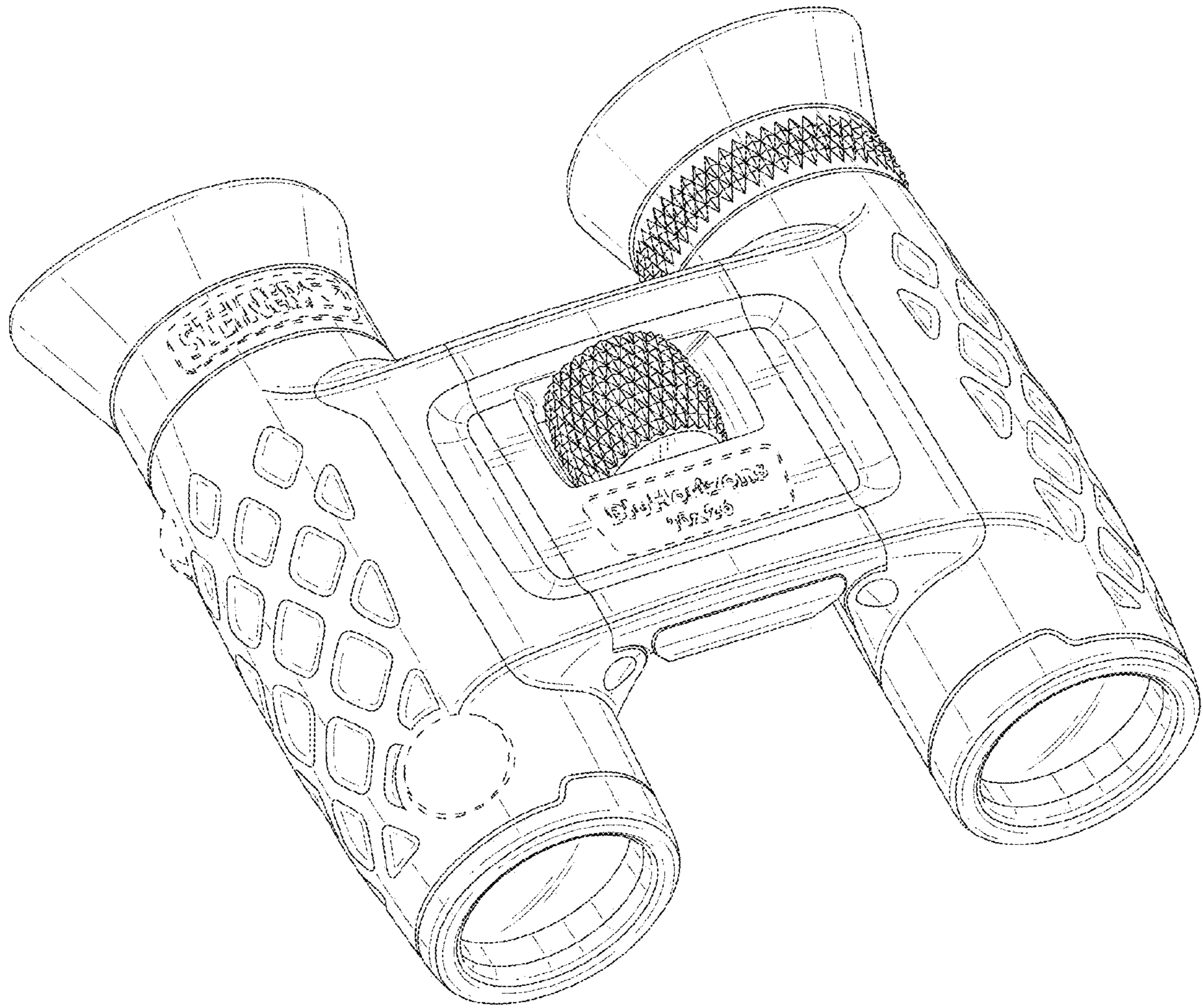


FIG. 1

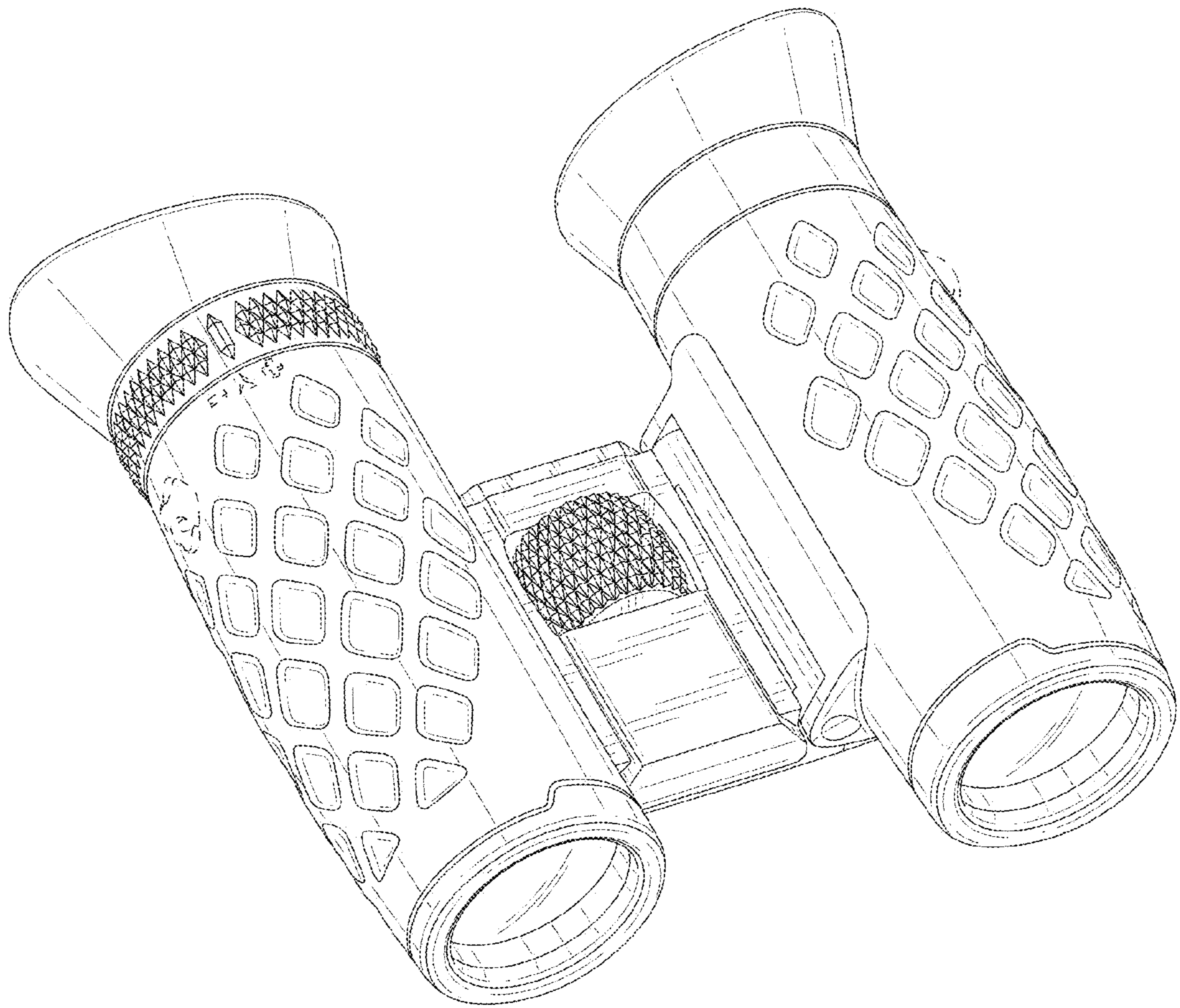


FIG. 2

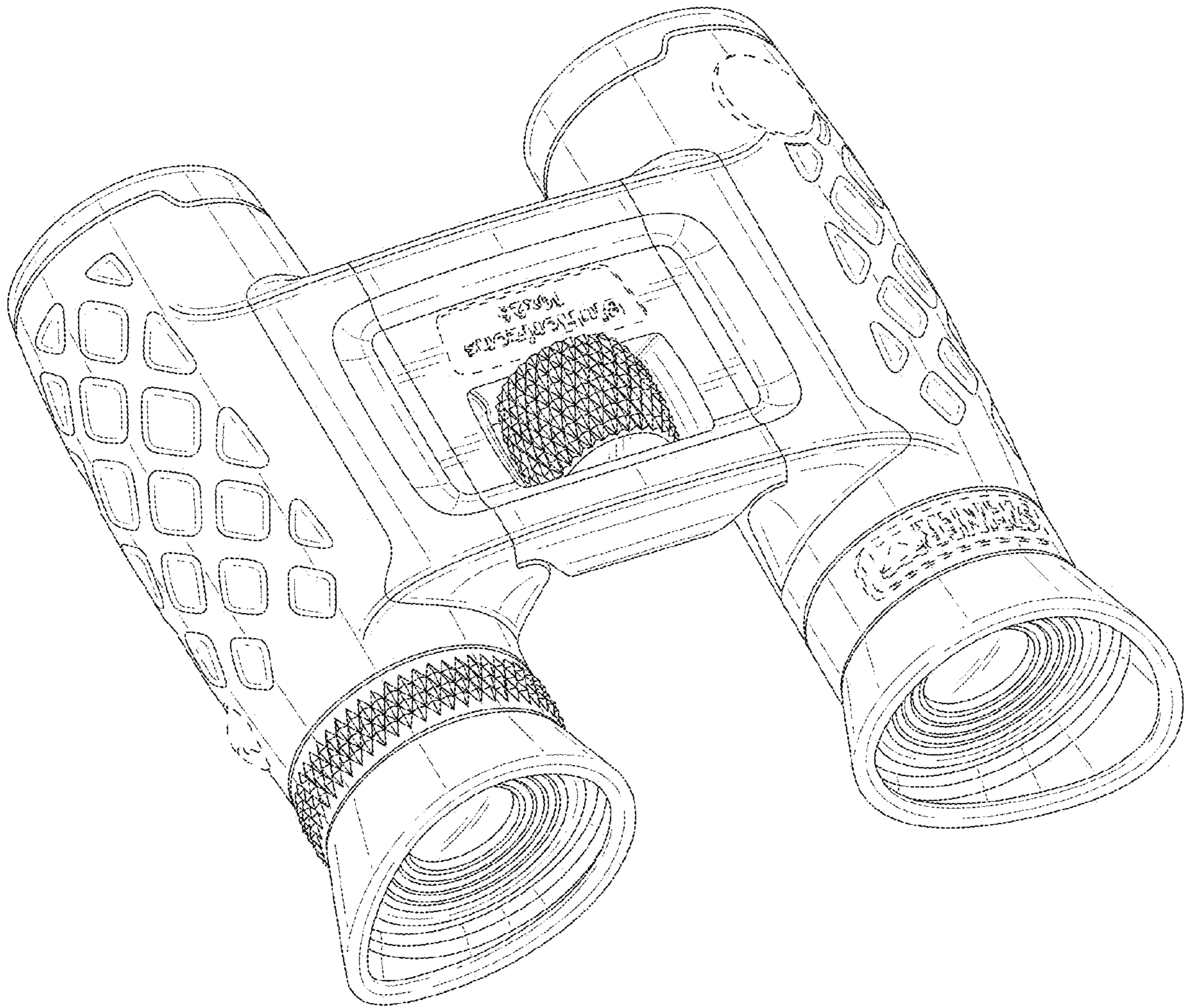


FIG. 3

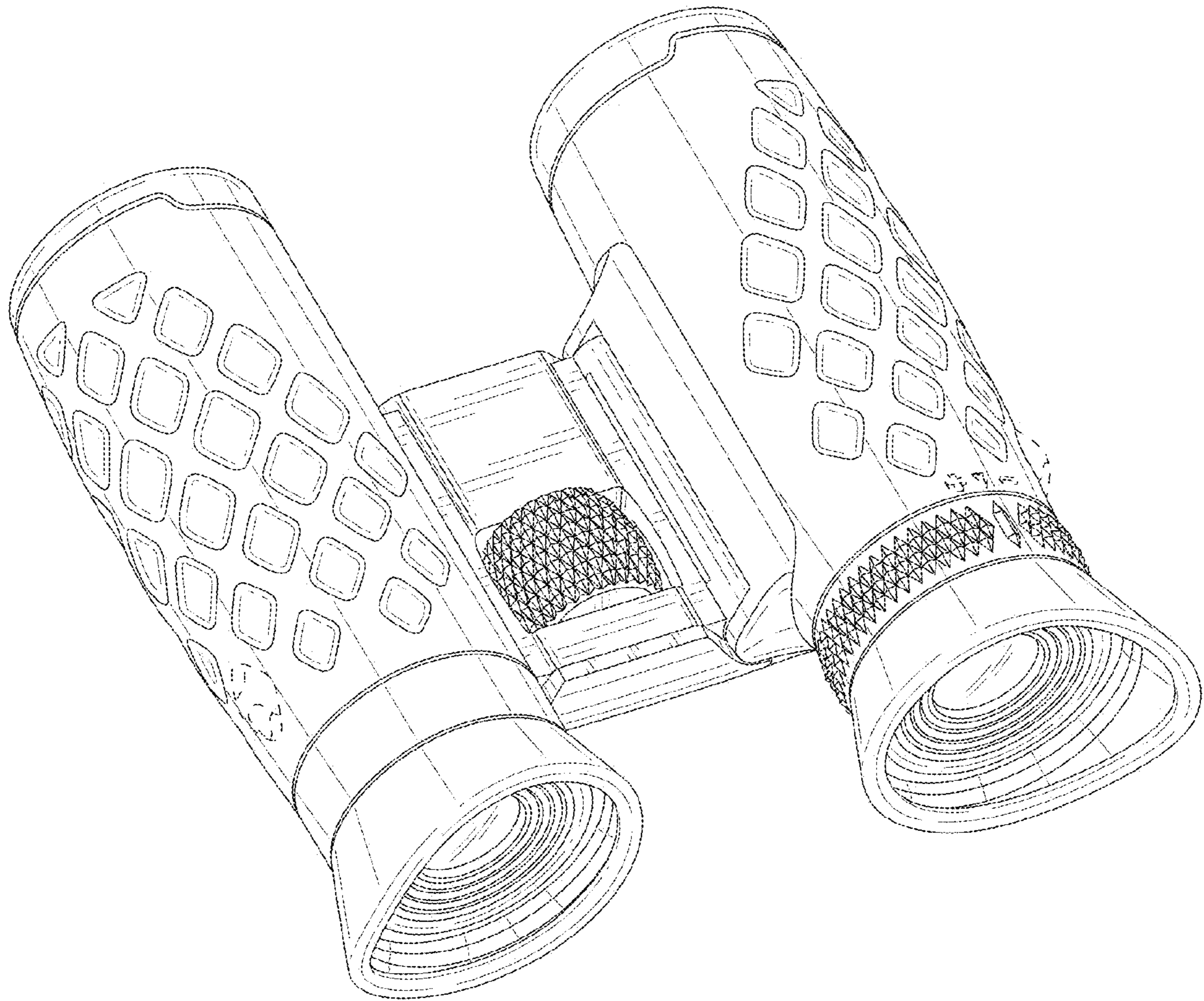


FIG. 4

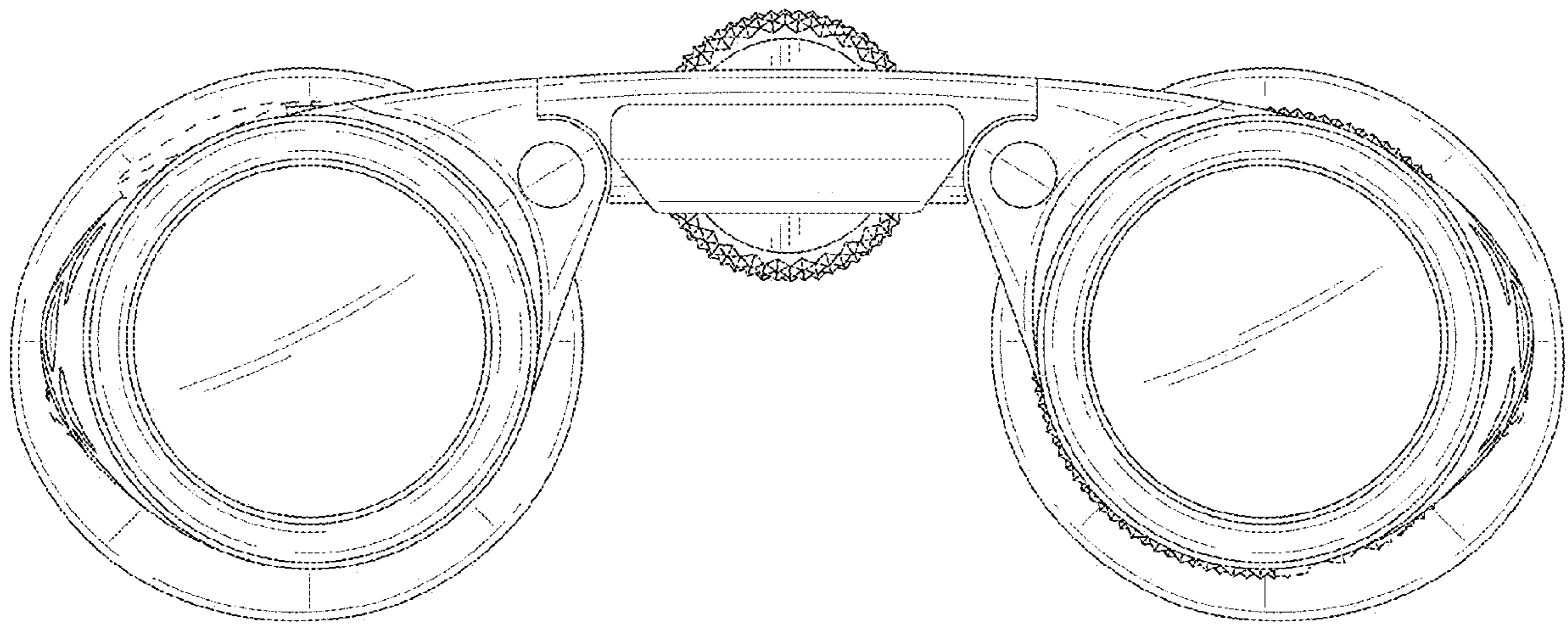


FIG. 5

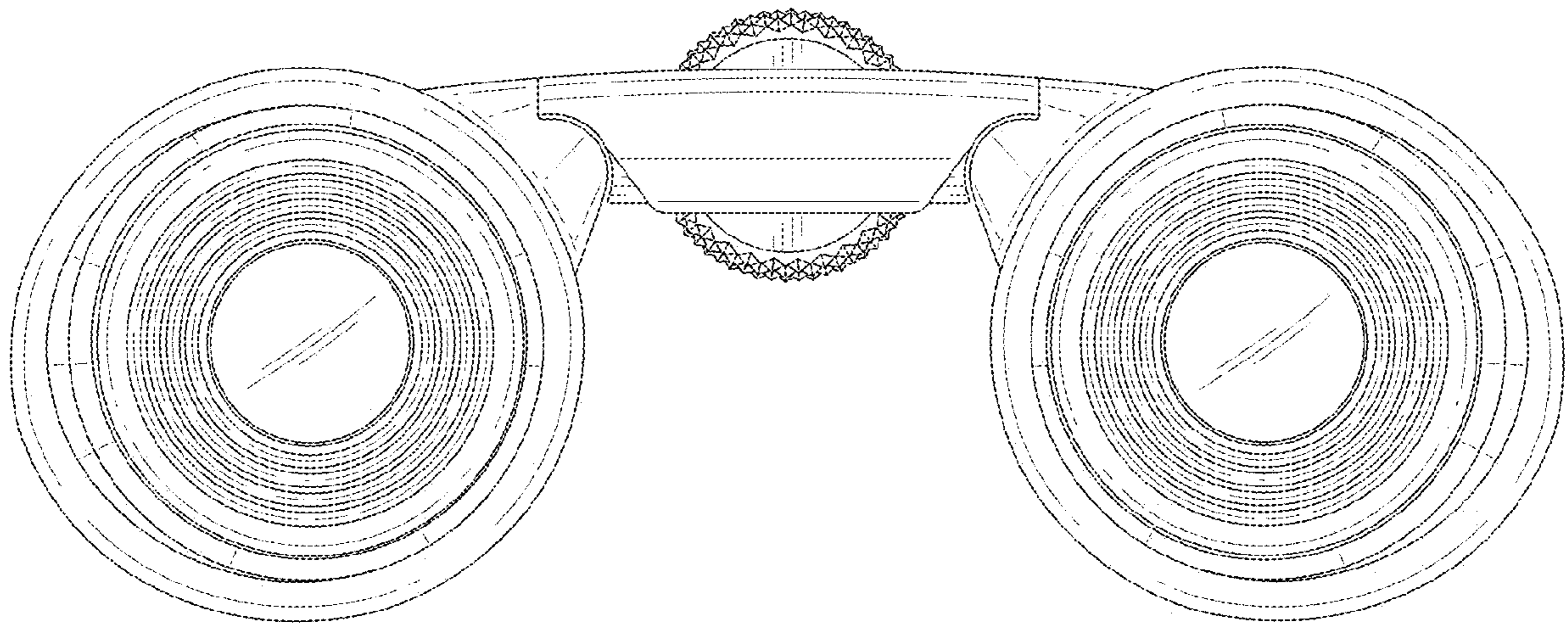


FIG. 6

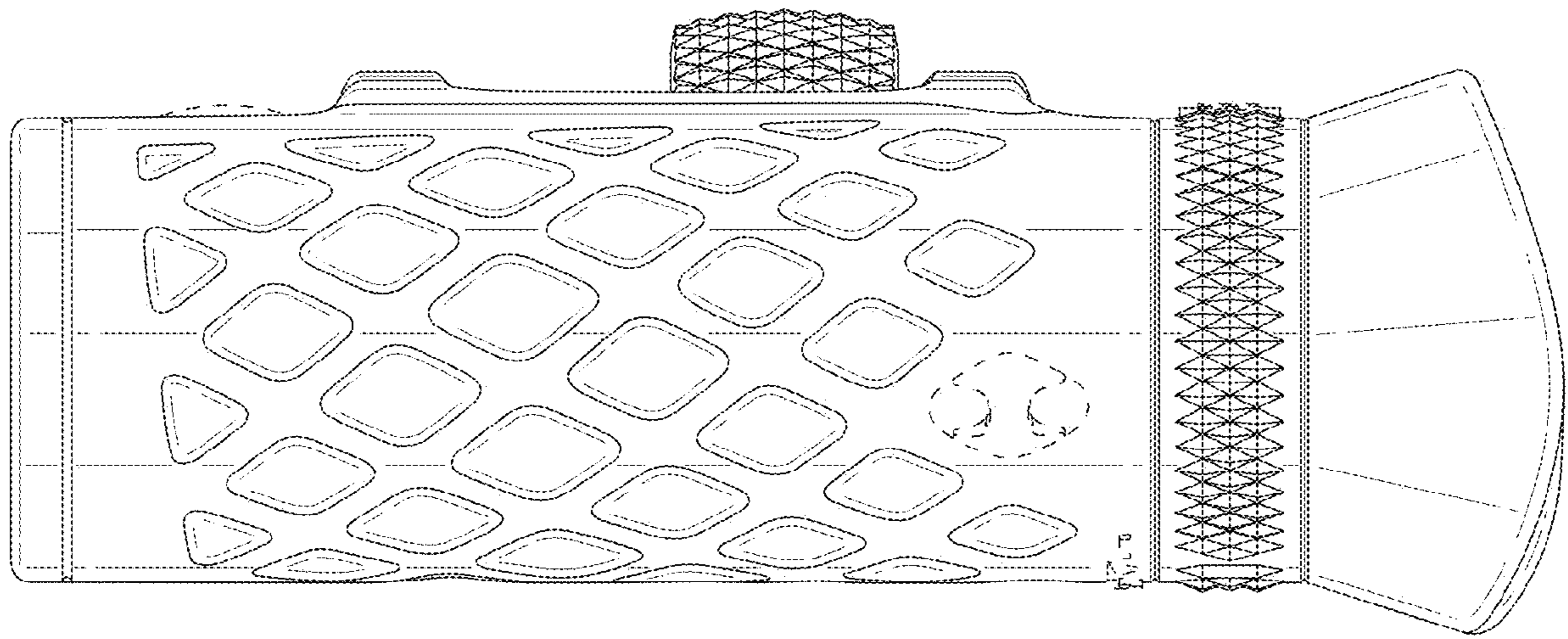


FIG. 7

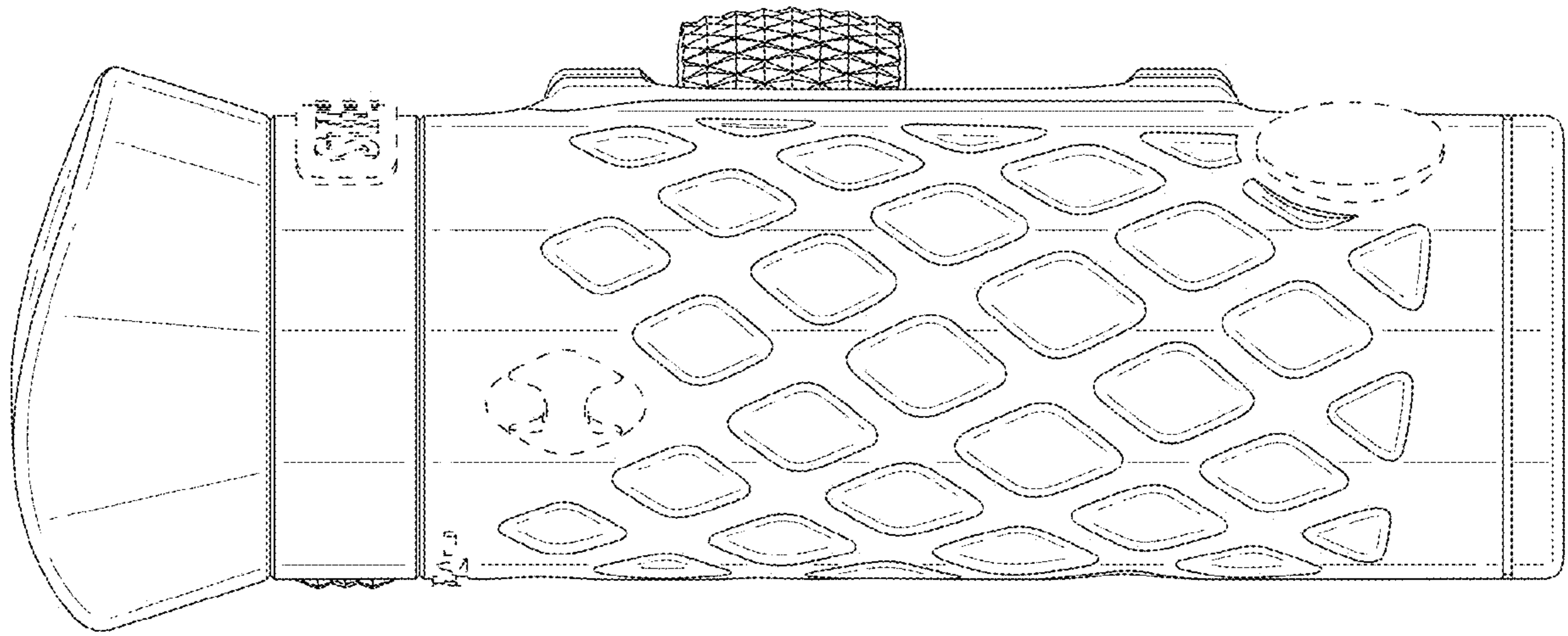


FIG. 8

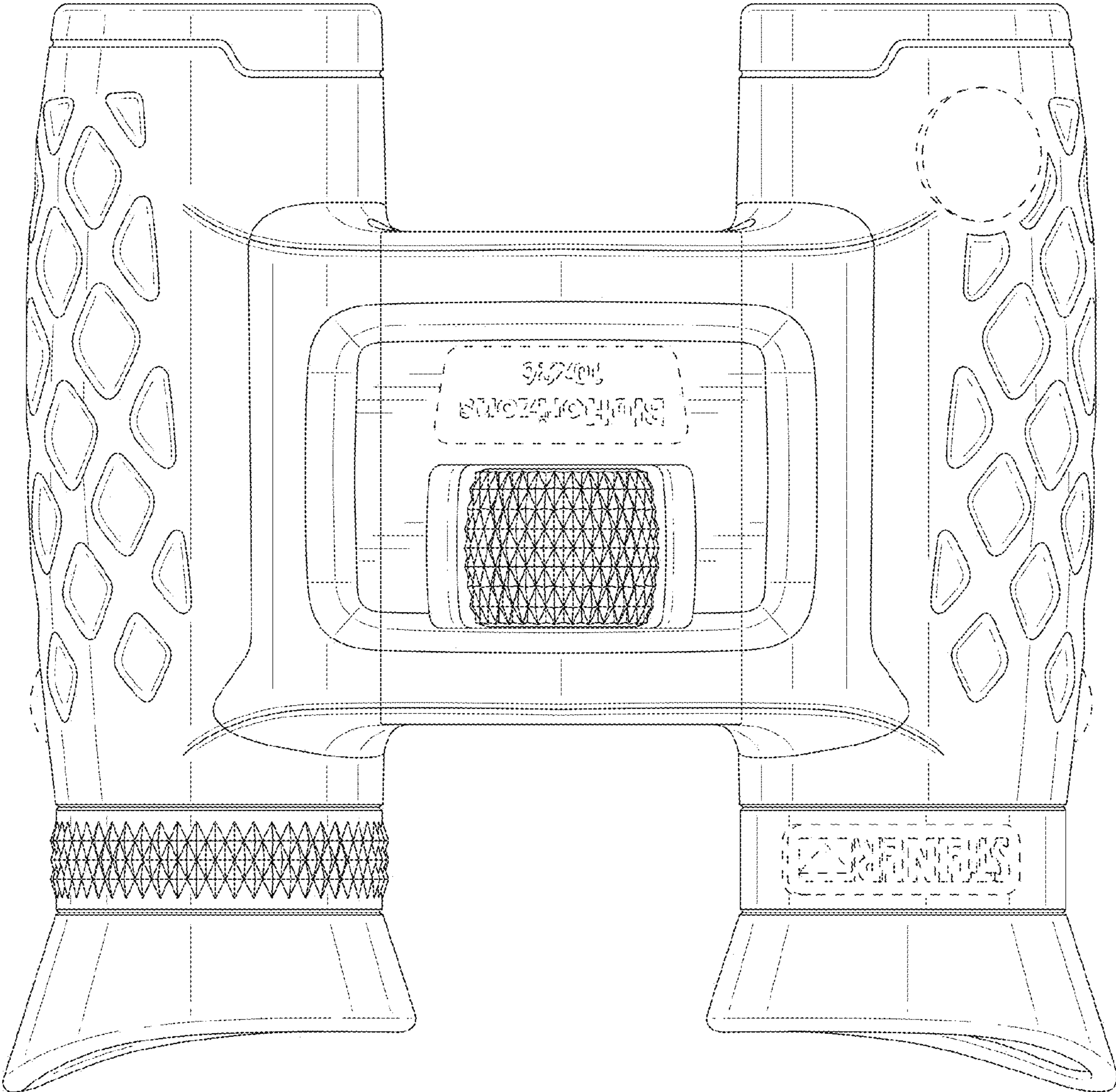


FIG. 9

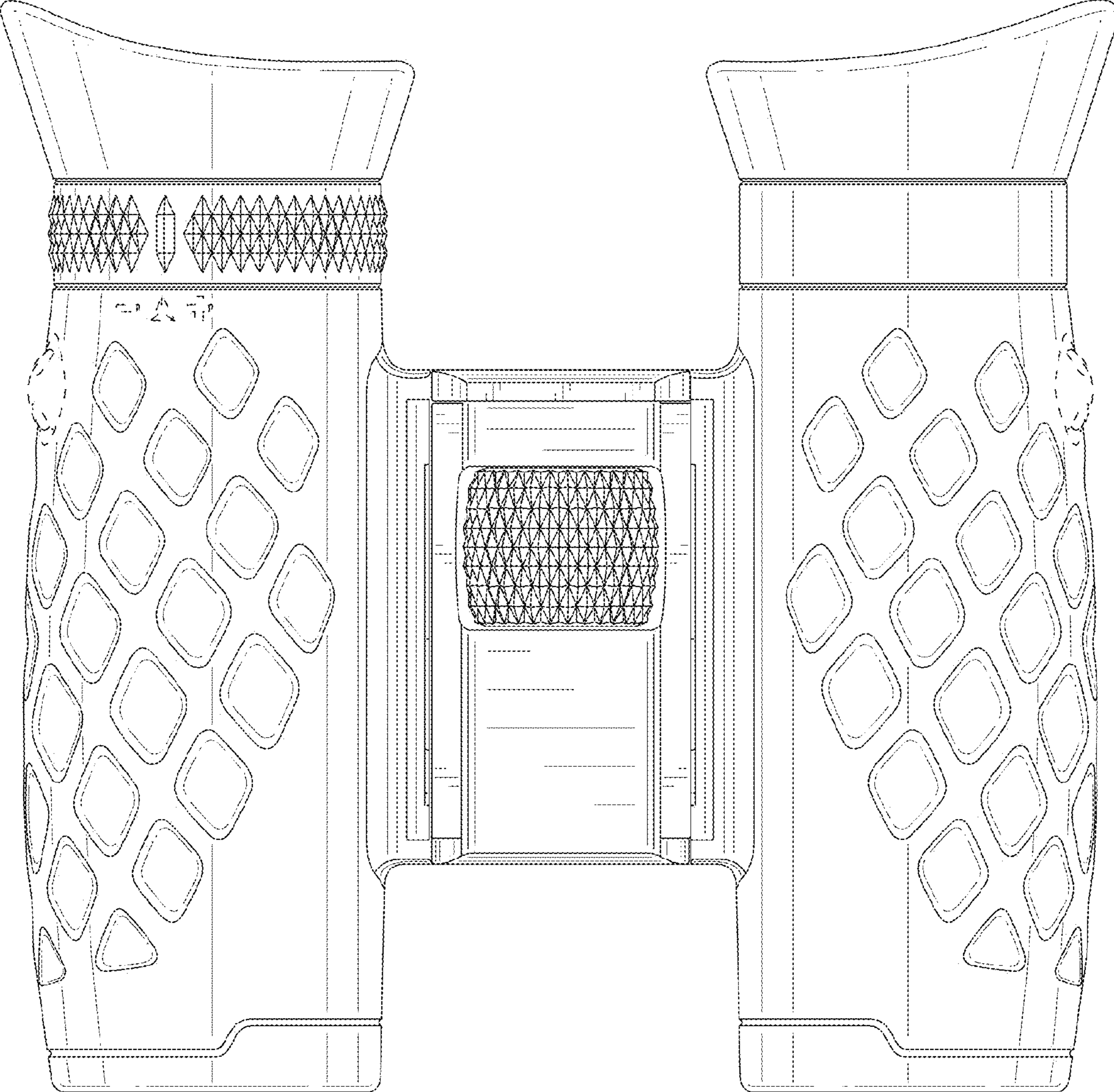


FIG. 10