

US00D898790S

(12) **United States Design Patent** (10) **Patent No.:** **US D898,790 S**  
**Sokuza** (45) **Date of Patent:** **\*\* Oct. 13, 2020**

(54) **AUTOMATIC GUIDED VEHICLE**  
(71) Applicant: **NIDEC-SHIMPO CORPORATION**,  
Kyoto (JP)  
(72) Inventor: **Masashi Sokuza**, Kyoto (JP)  
(73) Assignee: **NIDEC-SHIMPO CORPORATION**,  
Kyoto (JP)

D743,647 S \* 11/2015 Heck ..... D32/21  
D810,799 S \* 2/2018 Sokuza ..... D15/199  
D812,663 S \* 3/2018 Waters ..... D15/199  
D837,852 S \* 1/2019 Nilsson ..... D15/199  
D839,331 S \* 1/2019 Nilsson ..... D15/199  
D843,888 S \* 3/2019 Wang ..... D12/16.1  
D856,389 S \* 8/2019 Gayne ..... D15/199  
D863,387 S \* 10/2019 Wang ..... D15/199  
D864,270 S \* 10/2019 Hu ..... D15/199  
D865,021 S \* 10/2019 Hu ..... D15/199

(Continued)

(\*\*) Term: **15 Years**  
(21) Appl. No.: **29/690,540**  
(22) Filed: **May 8, 2019**

**OTHER PUBLICATIONS**

Nidec-Shimpo Corporation, "Automatic Guided Vehicle S-CART500",  
Aug. 2019, pp. 1-2.

(30) **Foreign Application Priority Data**  
Nov. 26, 2018 (JP) ..... 2018-025615  
(51) **LOC (12) Cl.** ..... **15-99**  
(52) **U.S. Cl.**  
USPC ..... **D15/199; D34/34**  
(58) **Field of Classification Search**  
USPC ..... D15/199; D21/578-583, 621, 622;  
D32/21; D34/34  
CPC ..... B23K 9/133; B23K 9/287; B25J 9/0018;  
B25J 19/0025; Y10T 74/20; Y10T  
74/20207; Y10T 74/20311; Y10T  
74/20305; Y10S 901/01  
See application file for complete search history.

*Primary Examiner* — Patricia A Palasik  
(74) *Attorney, Agent, or Firm* — JCIPRNET

(57) **CLAIM**

The ornamental design for an automatic guided vehicle, as  
shown and described.

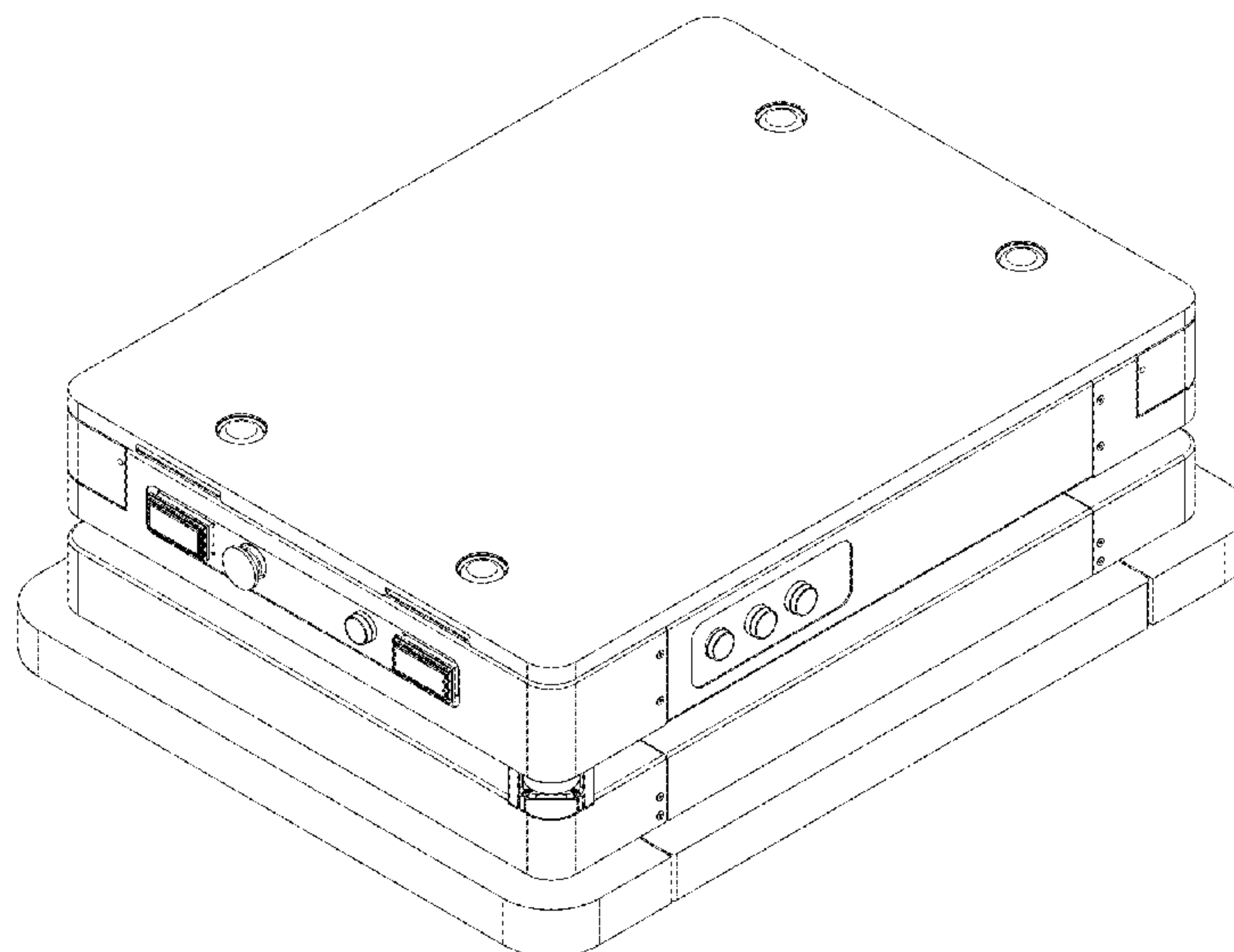
**DESCRIPTION**

FIG. 1 is a perspective view of an automatic guided vehicle  
showing my new design;  
FIG. 2 is another perspective view thereof;  
FIG. 3 is a front view thereof;  
FIG. 4 is a rear view thereof;  
FIG. 5 is a left side view thereof;  
FIG. 6 is a right side view thereof;  
FIG. 7 is a top view thereof; and,  
FIG. 8 is another front view thereof with an object to be  
conveyed disposed on a top plate of the automatic guided  
vehicle on a walking surface.

A bottom view of the present design is omitted since it does  
not contain ornamental features. The dash lines of the object  
to be conveyed and the walking surface in FIG. 8 represent  
the environment only and form no part of the claimed  
design.

(56) **References Cited**  
**U.S. PATENT DOCUMENTS**  
4,137,984 A \* 2/1979 Jennings ..... B62D 1/28  
180/168  
D295,105 S \* 4/1988 Dawson ..... D34/18  
5,127,486 A \* 7/1992 Yardley ..... B62D 1/28  
180/168  
D625,059 S \* 10/2010 Morenstein ..... D32/21  
8,898,844 B1 \* 12/2014 Dooley ..... A47L 11/10  
15/319  
D722,631 S \* 2/2015 Stone ..... D12/1

**1 Claim, 6 Drawing Sheets**



(56)

**References Cited**

U.S. PATENT DOCUMENTS

D870,165 S \* 12/2019 Hacikyan ..... D15/124  
D871,475 S \* 12/2019 Kolb ..... D15/199  
D871,477 S \* 12/2019 Kolb ..... D15/199  
D871,478 S \* 12/2019 Wang ..... D15/199  
D873,173 S \* 1/2020 Brucker ..... D12/1  
D873,174 S \* 1/2020 Sokuza ..... D12/1  
D879,851 S \* 3/2020 Li ..... D15/199  
D880,550 S \* 4/2020 Sokuza ..... D15/199  
D886,173 S \* 6/2020 Sokuza ..... D15/199  
D887,468 S \* 6/2020 Hirvesaar ..... D15/199  
2015/0224640 A1 \* 8/2015 Vu ..... B25J 19/023  
700/259  
2017/0038776 A1 \* 2/2017 Gariepy ..... G05D 1/0022  
2018/0099810 A1 \* 4/2018 Wu ..... B66F 3/08  
2019/0270472 A1 \* 9/2019 Akamatsu ..... B62B 5/0093  
2019/0332115 A1 \* 10/2019 Lim ..... G06T 7/74

\* cited by examiner

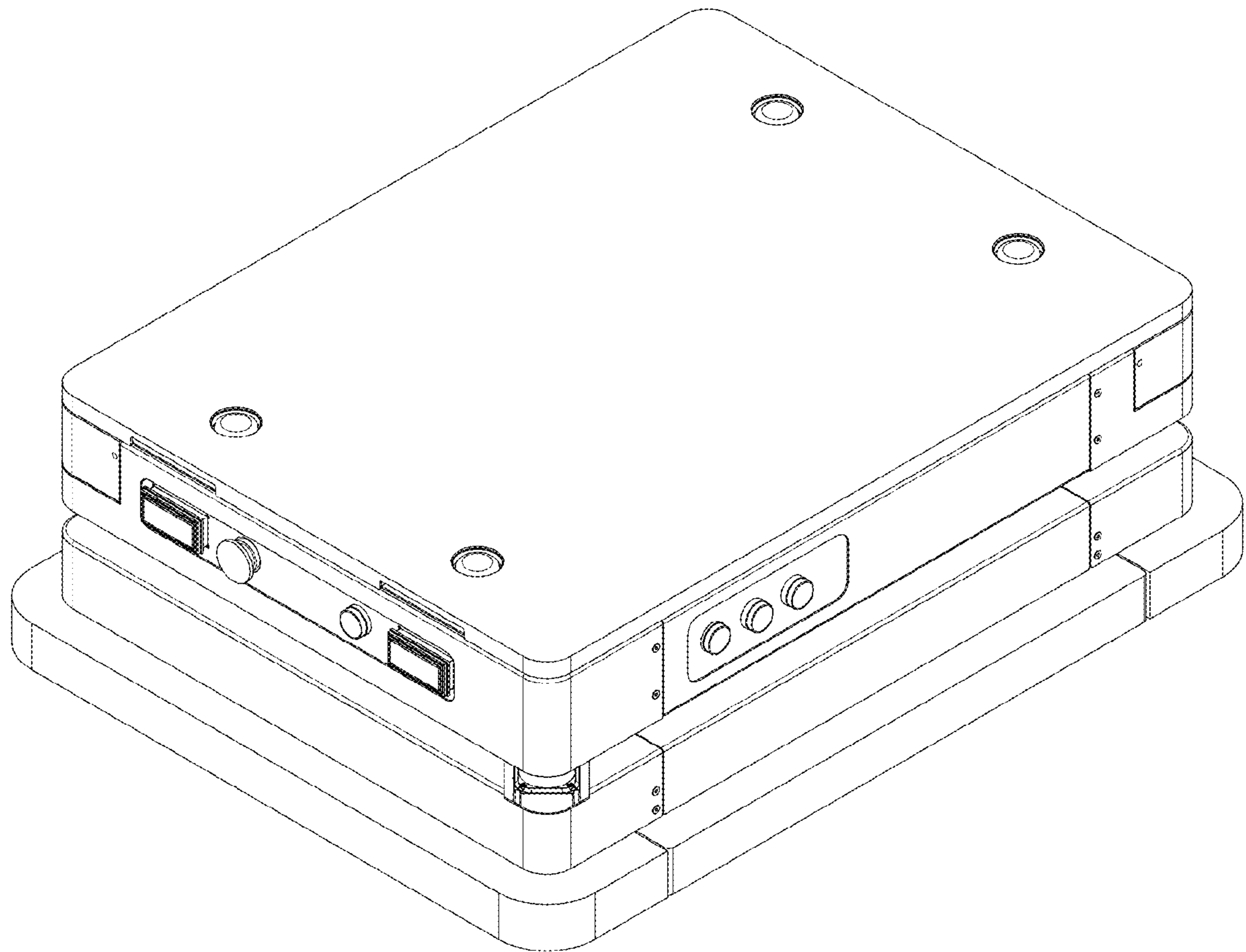


FIG. 1

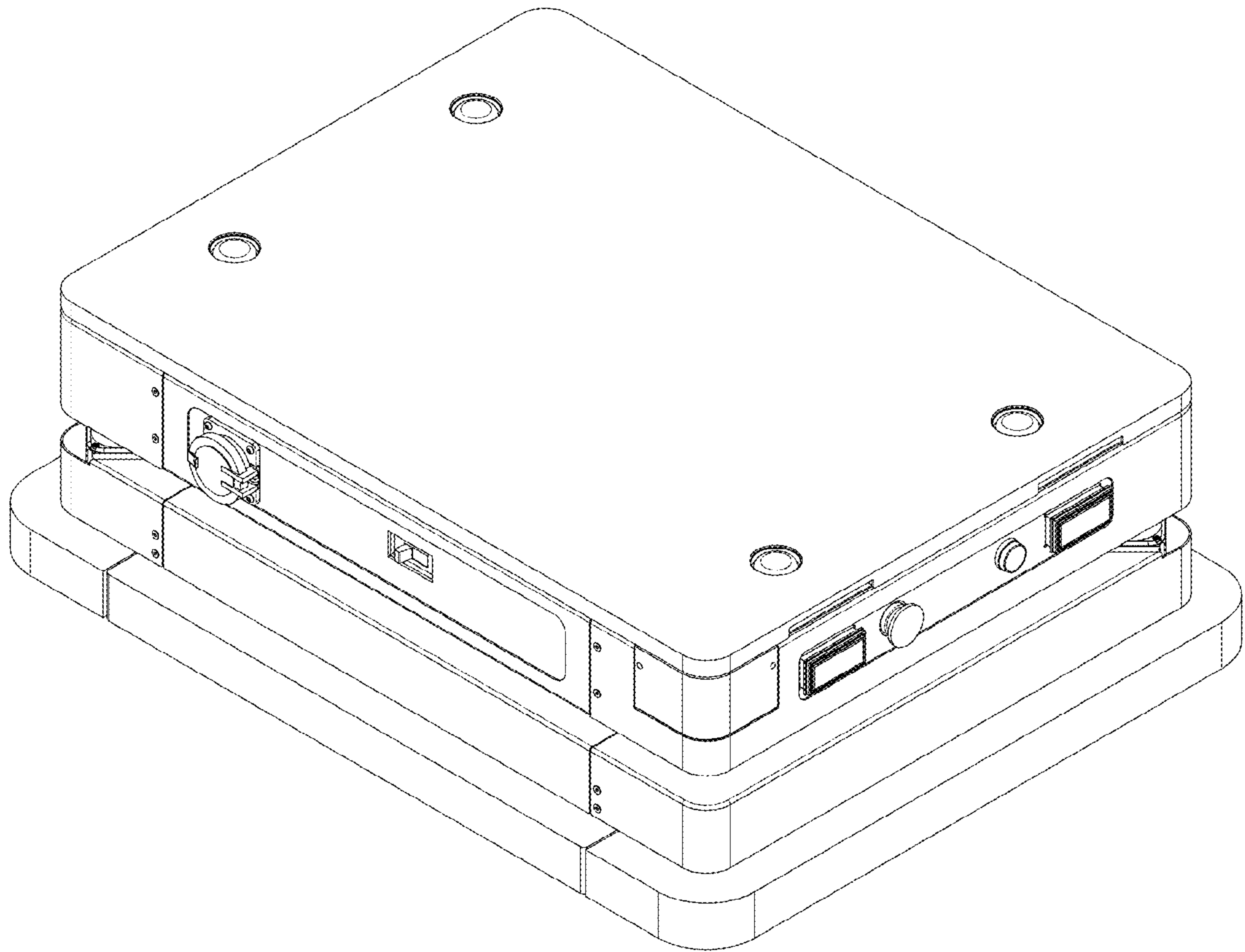


FIG. 2



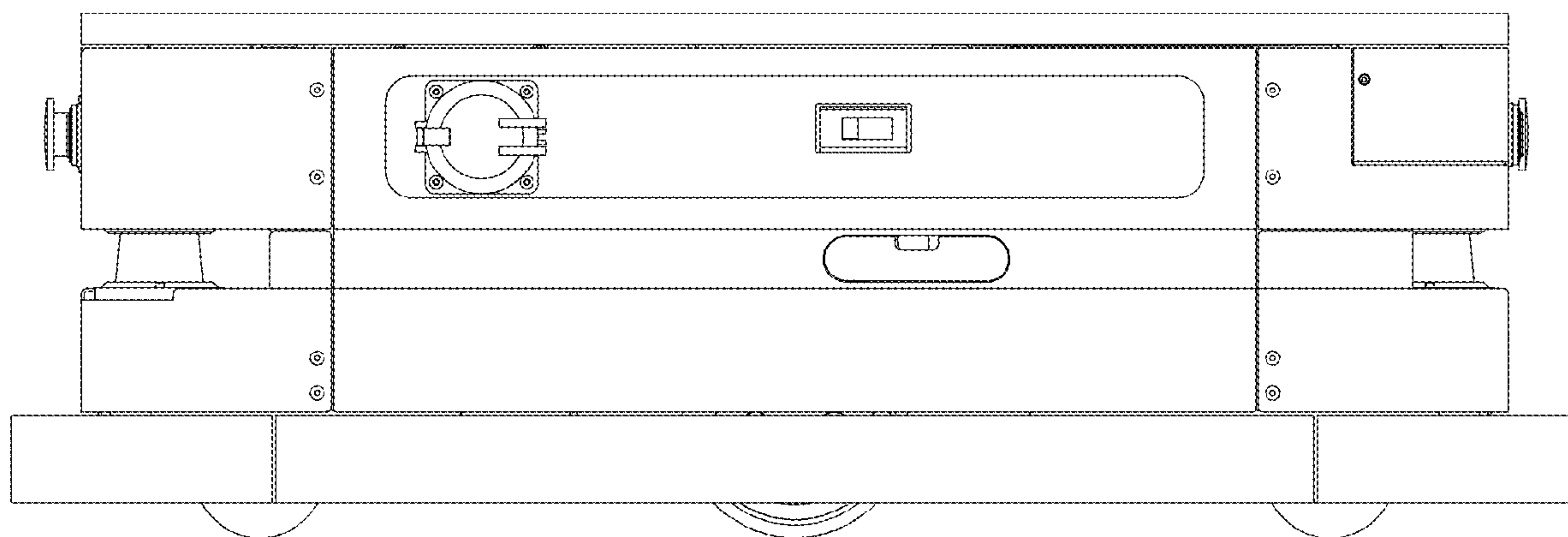


FIG. 3

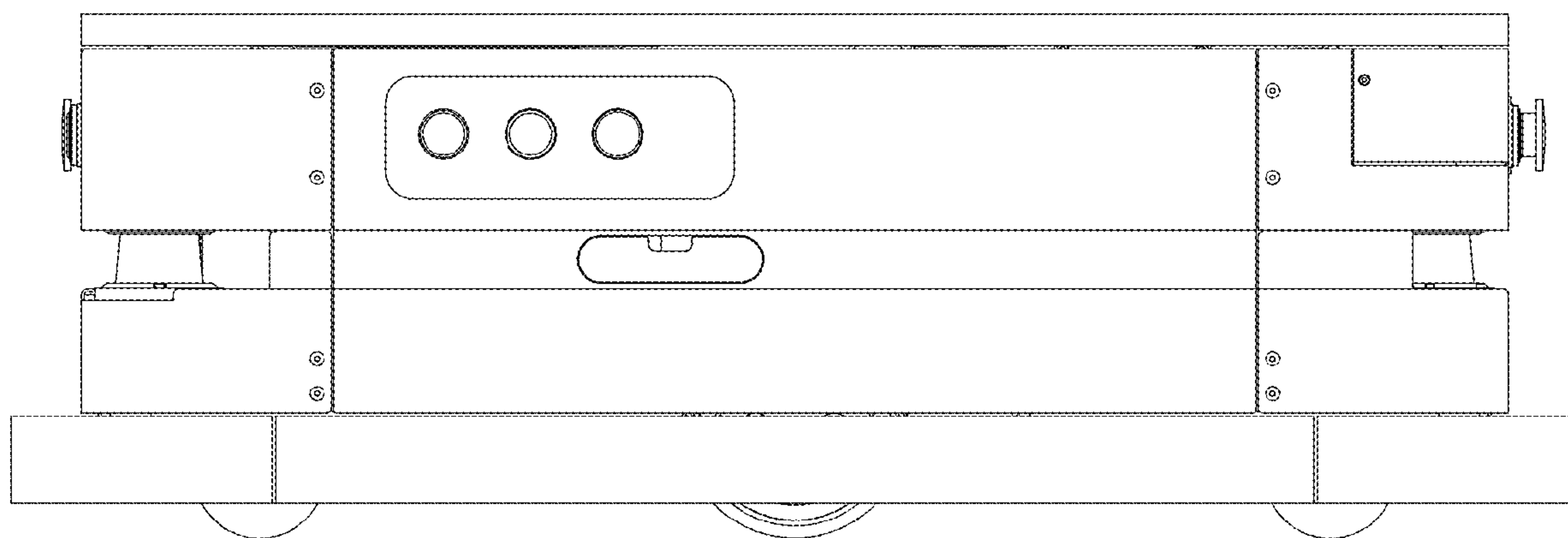


FIG. 4

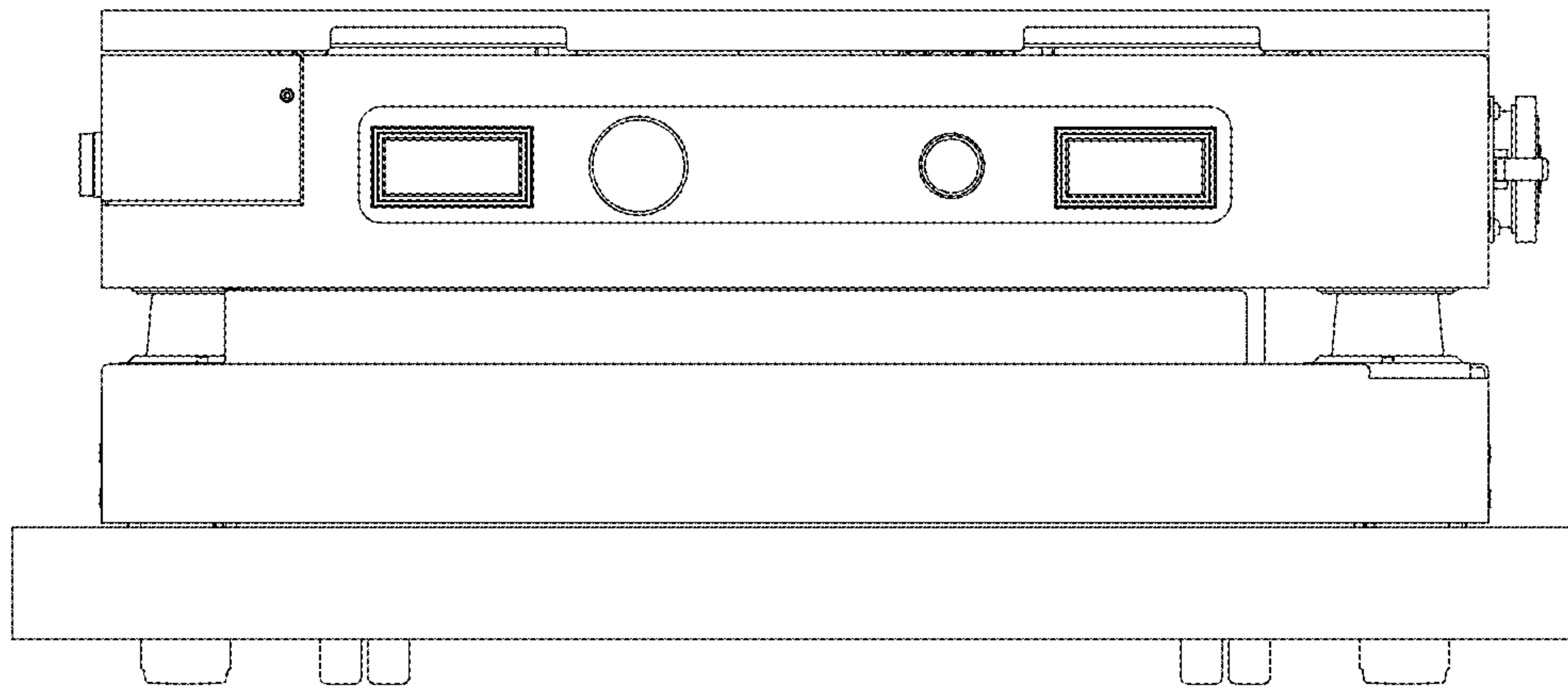


FIG. 5

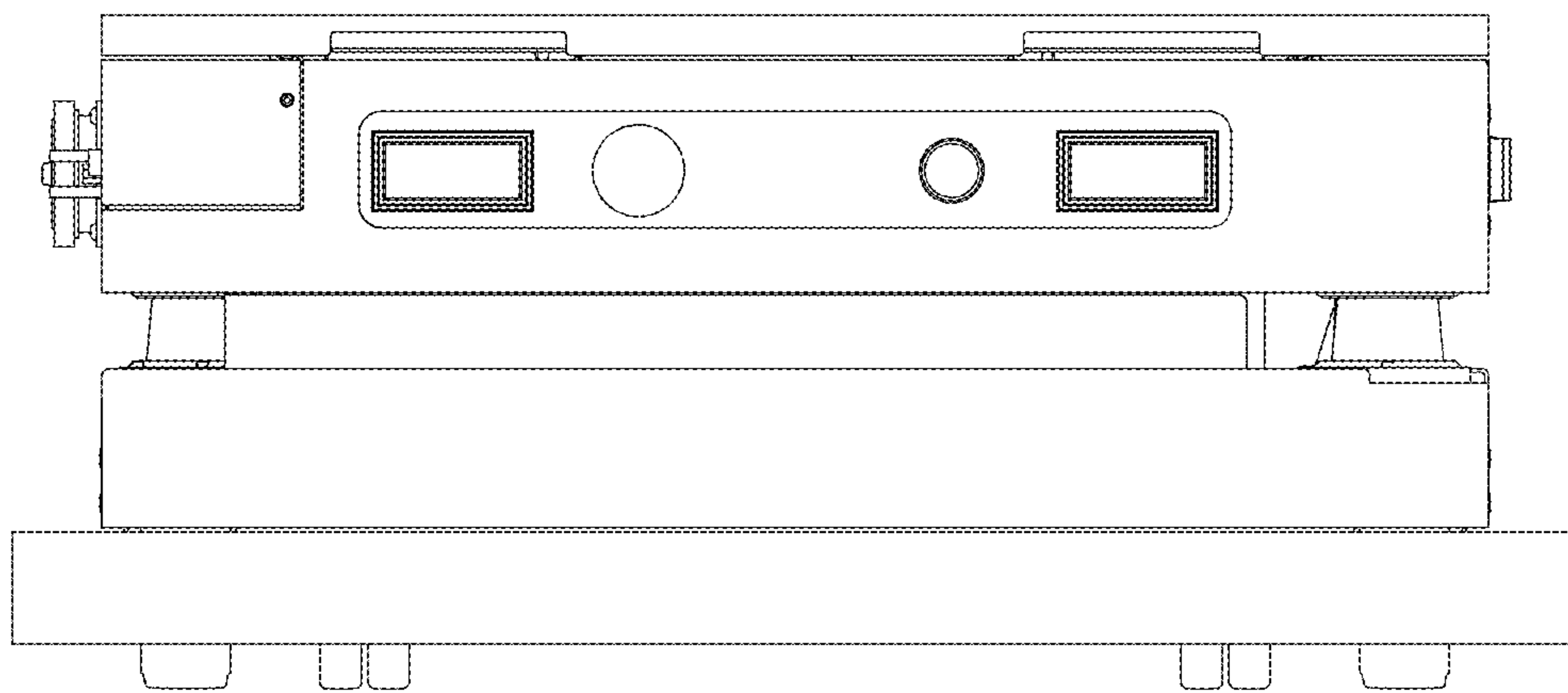


FIG. 6

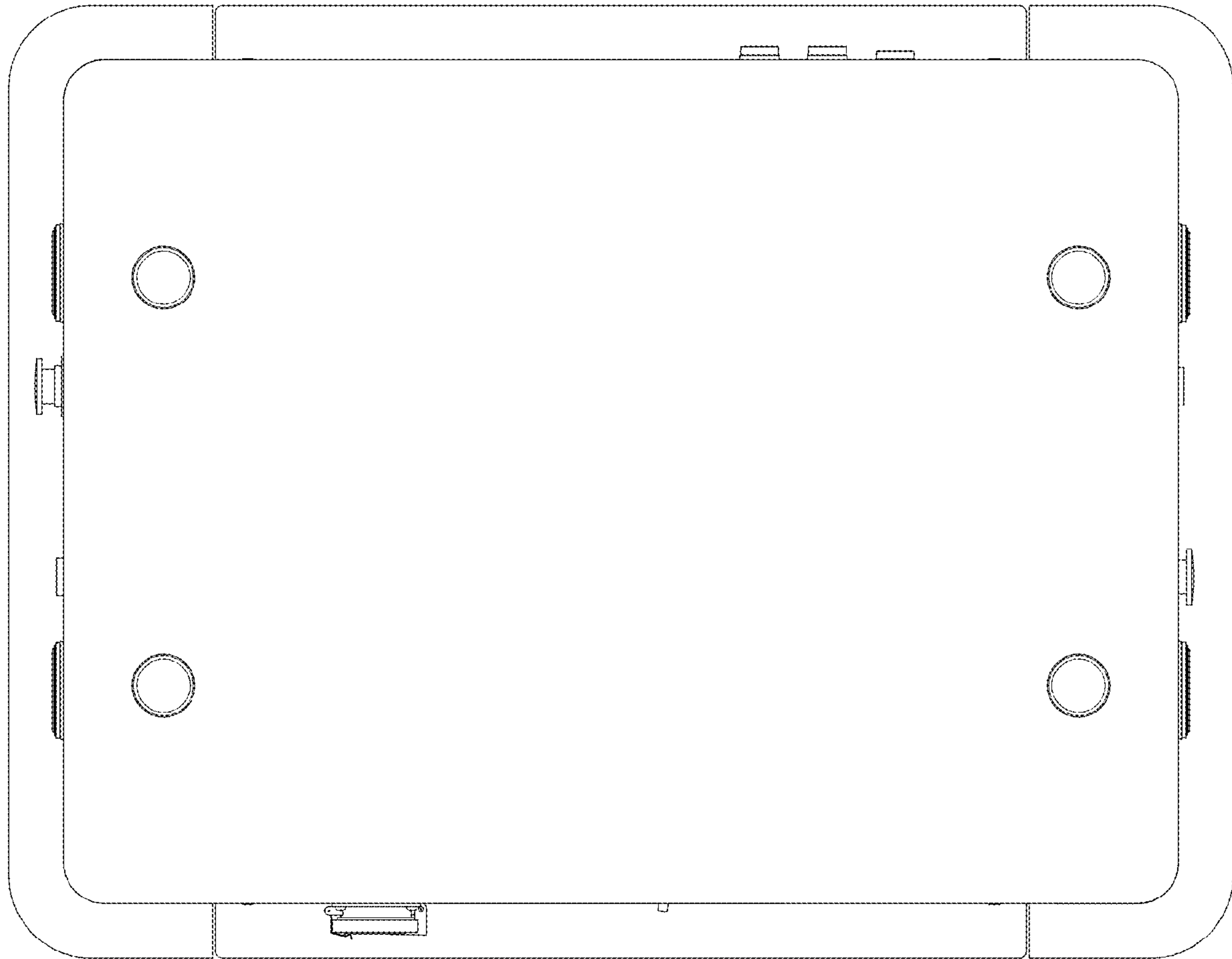


FIG. 7

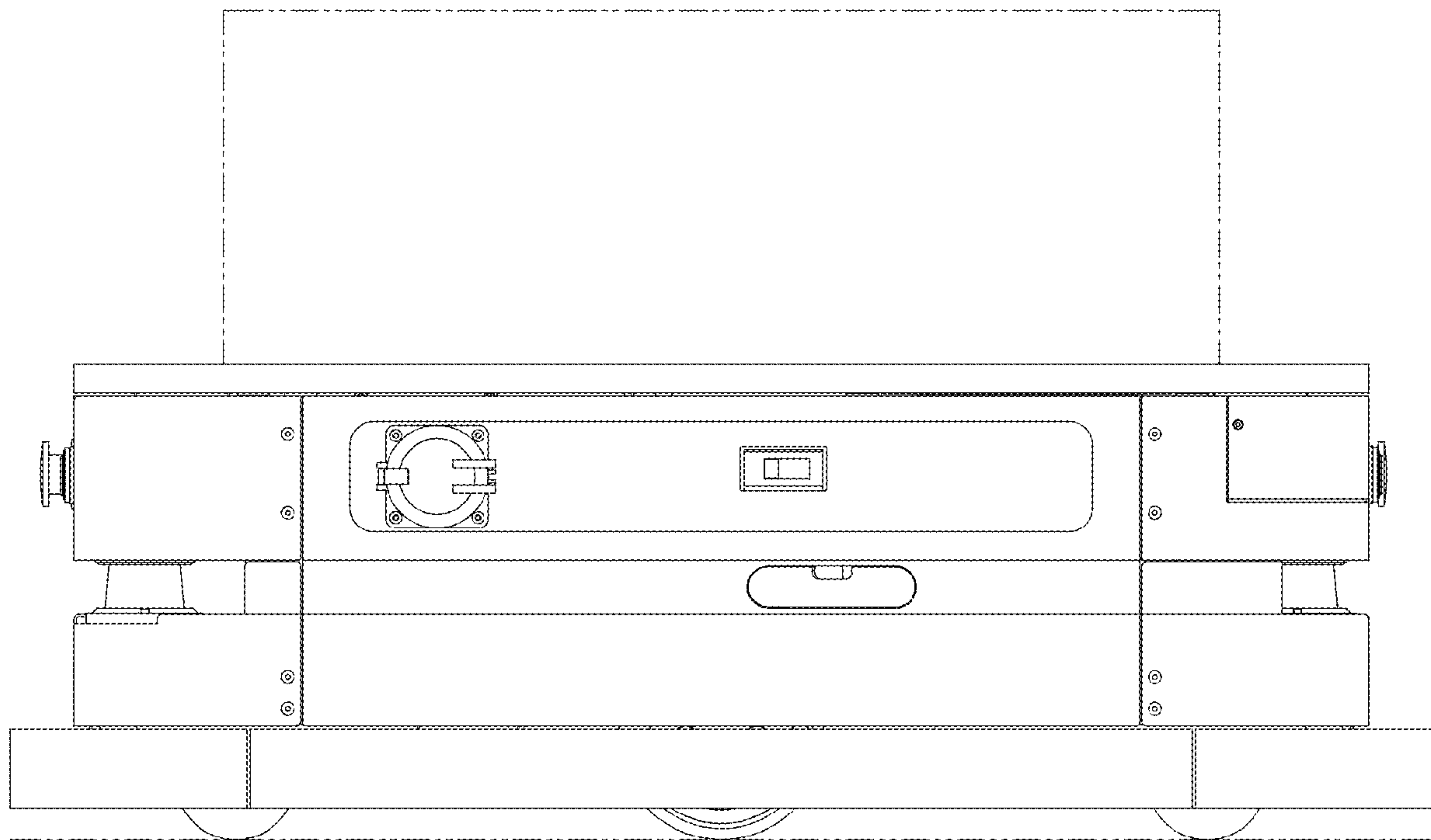


FIG. 8