



US00D898786S

(12) **United States Design Patent**
Chae

(10) **Patent No.:** **US D898,786 S**

(45) **Date of Patent:** **** Oct. 13, 2020**

(54) **GRINDER DISC HOLDER**

(71) Applicant: **Seong Deok Chae**, Gyeongsangnam-do (KR)

(72) Inventor: **Seong Deok Chae**, Gyeongsangnam-do (KR)

(**) Term: **15 Years**

(21) Appl. No.: **29/695,588**

(22) Filed: **Jun. 20, 2019**

(30) **Foreign Application Priority Data**

Dec. 28, 2018 (KR) 30-2018-0062486

(51) **LOC (12) Cl.** **15-09**

(52) **U.S. Cl.**
USPC **D15/140; D15/126**

(58) **Field of Classification Search**
USPC D8/9, 14, 22, 61, 62, 70, 71, 80, 85, 90,
D8/106, 342-344, 349, 395, 499;
D15/122, 123, 124, 126, 130, 131, 138,
D15/139, 140, 152, 199
CPC B24D 15/00; B24D 15/023; B24B 23/04
See application file for complete search history.

(56) **References Cited**

U.S. PATENT DOCUMENTS

D297,803 S * 9/1988 Rooney D15/126
D508,060 S * 8/2005 Olsen D15/126

D519,530 S * 4/2006 Thysell D15/126
7,192,339 B1 * 3/2007 Harding B24B 7/186
451/350
D589,541 S * 3/2009 Park D15/126
D626,977 S * 11/2010 Popov D15/126
D648,762 S * 11/2011 Mack D15/140
D665,242 S * 8/2012 Wackwitz D15/140
D753,748 S * 4/2016 Schneider D15/140
D797,168 S * 9/2017 Ruan D15/126
D827,684 S * 9/2018 Wilson D15/126
D834,074 S * 11/2018 Palushaj D15/126

* cited by examiner

Primary Examiner — Michael C Stout

Assistant Examiner — Fritzgerald L Butac

(74) *Attorney, Agent, or Firm* — IPLA P.A.; James E. Bame

(57) **CLAIM**

The ornamental design for a grinder disc holder, as shown and described.

DESCRIPTION

FIG. 1 is a perspective view of a grinder disc holder showing my new design;
FIG. 2 is a top plan thereof;
FIG. 3 is a front elevational view thereof, the opposite side being a mirror image; and,
FIG. 4 is a side elevational view thereof, the opposite side being a mirror image.

1 Claim, 3 Drawing Sheets

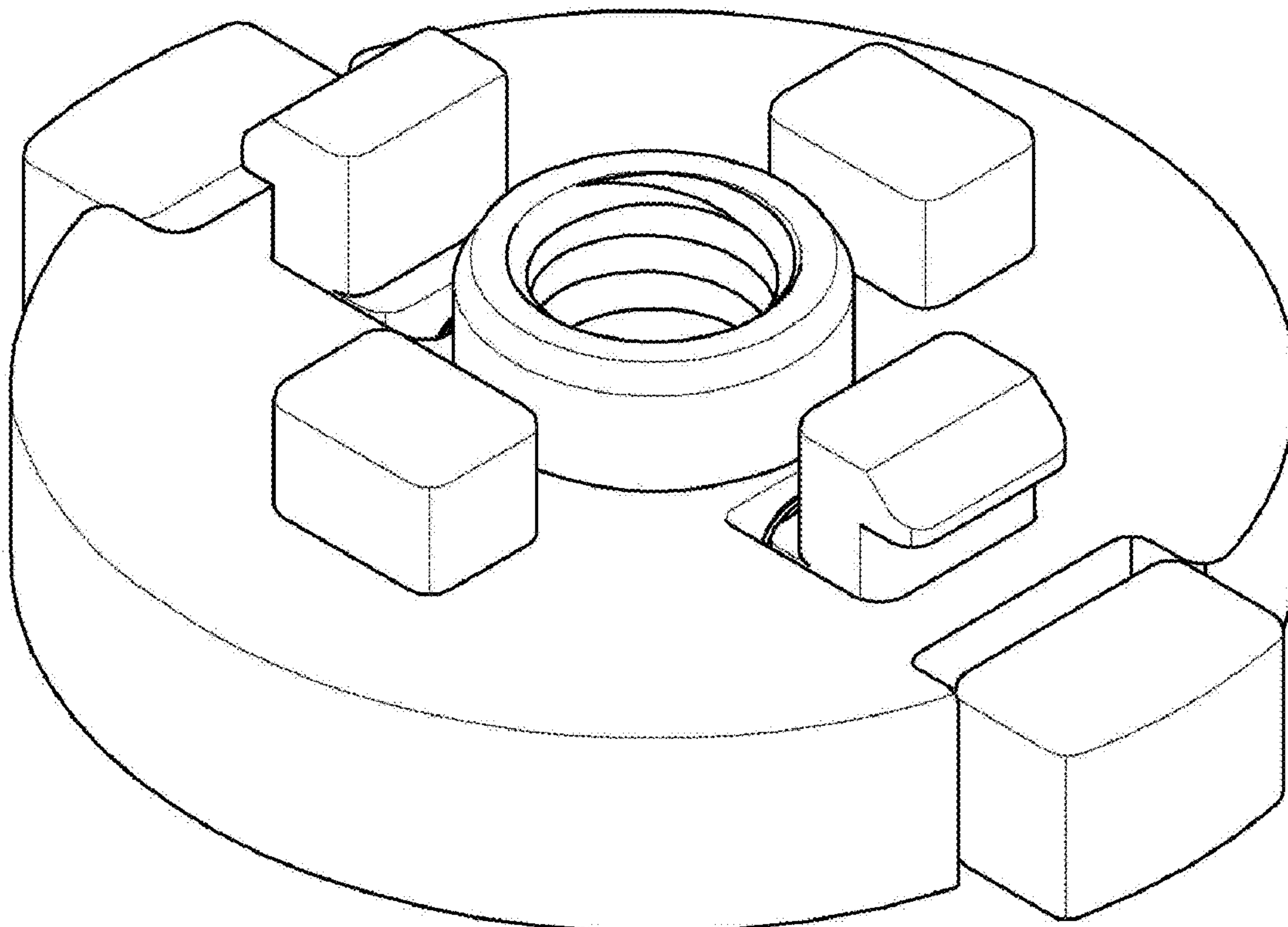


FIG. 1

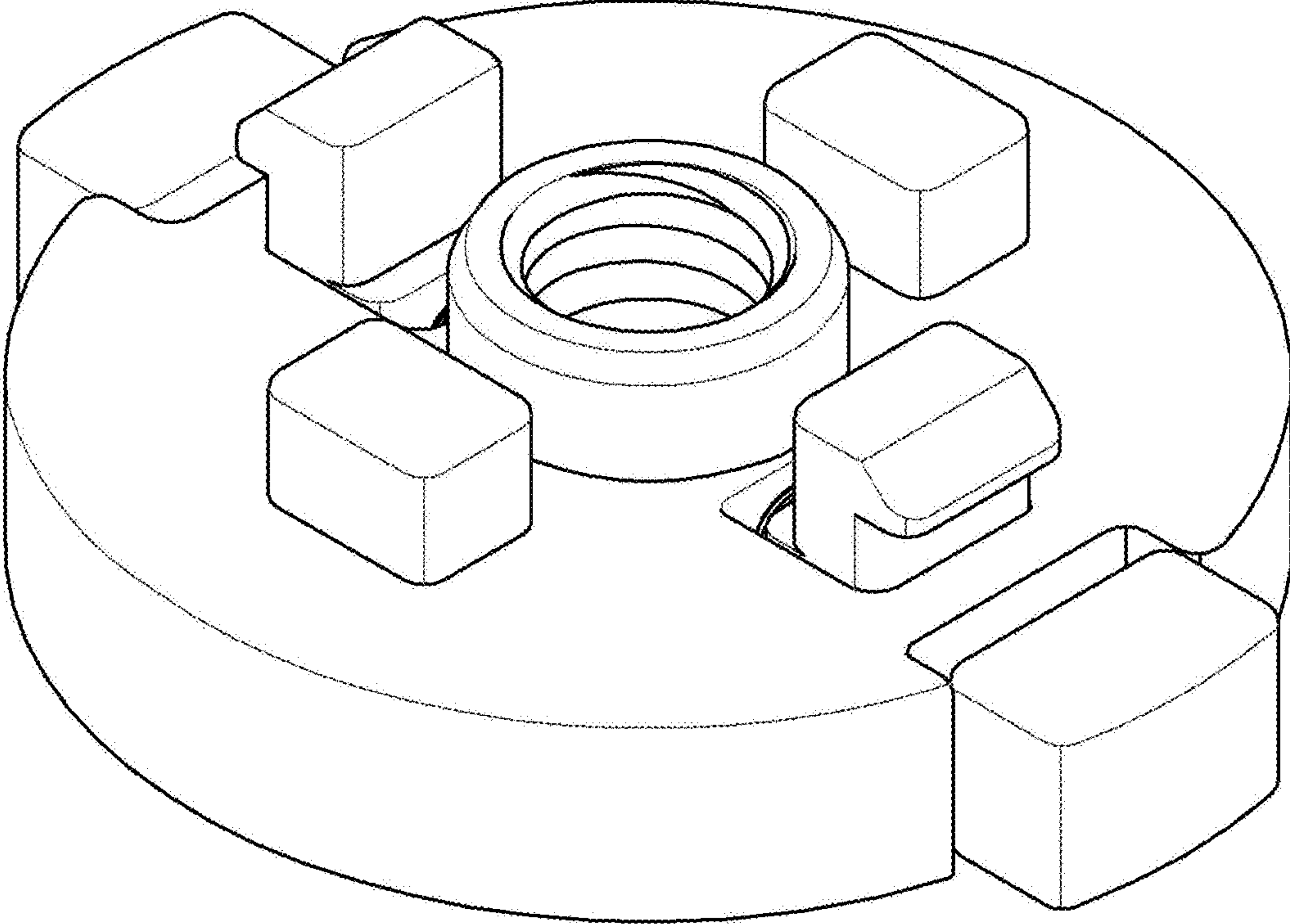


FIG. 2

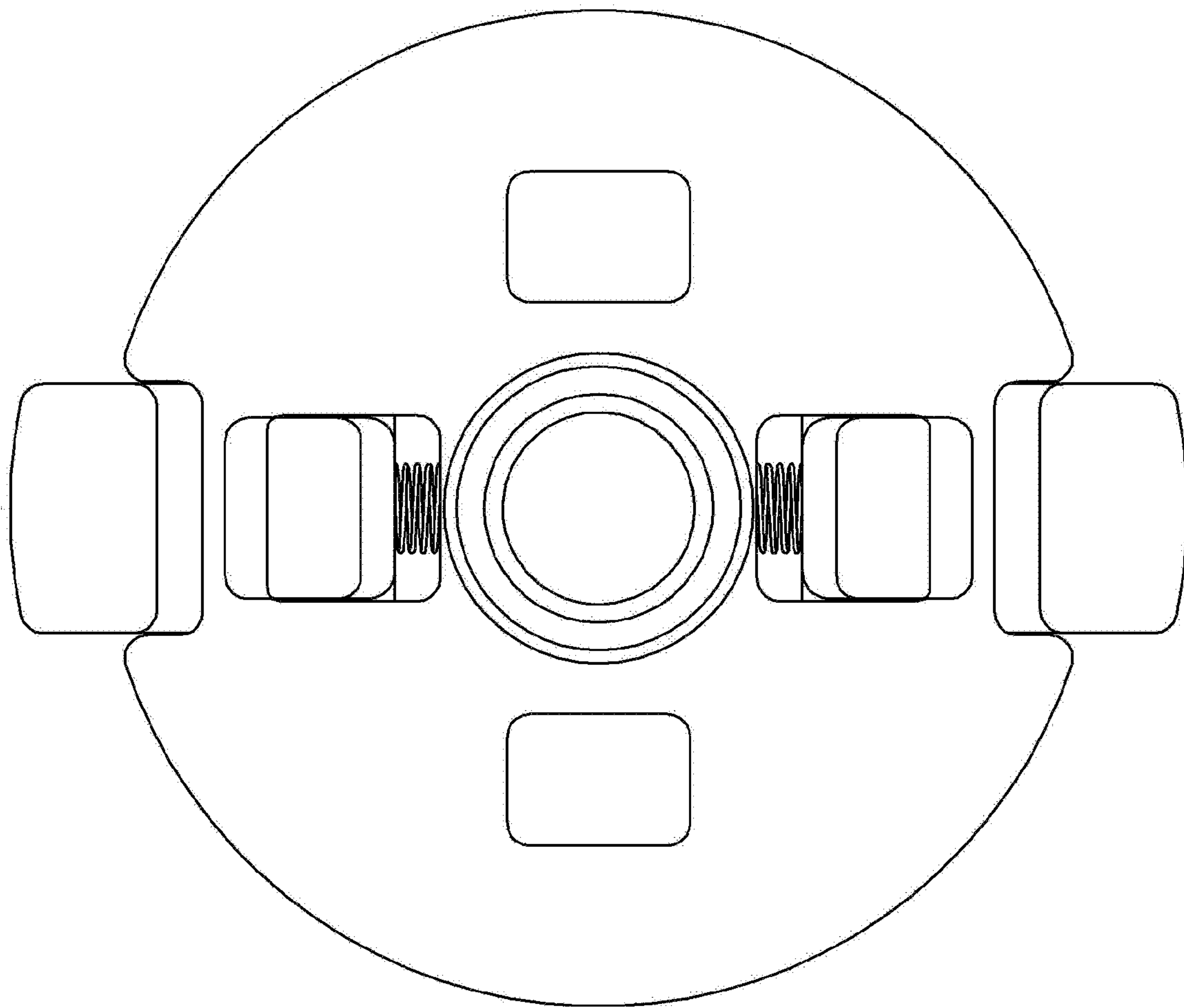


FIG. 3

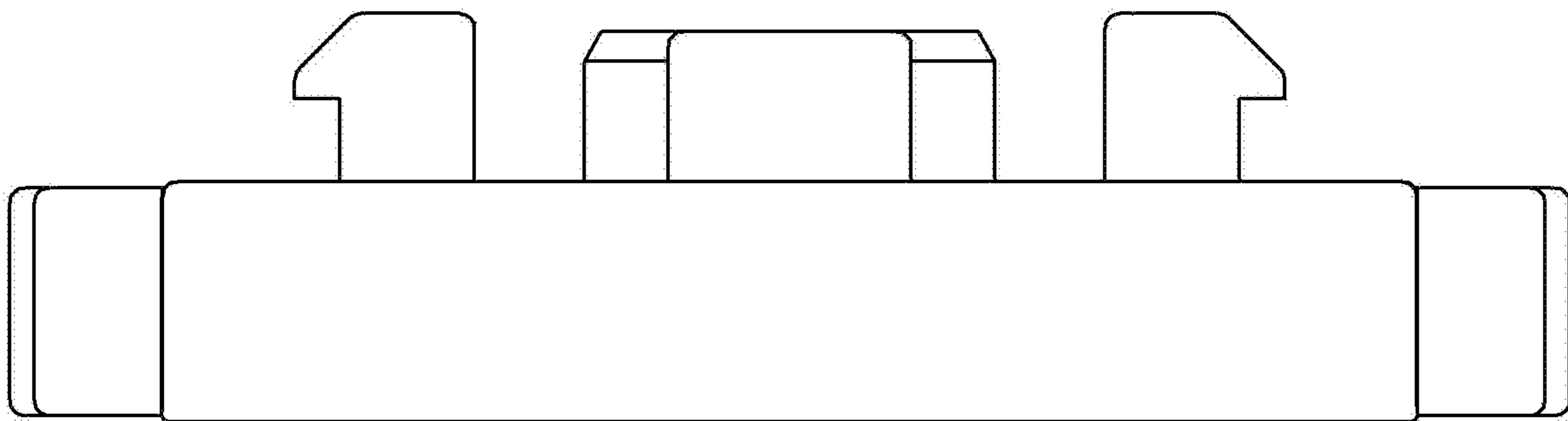


FIG. 4

