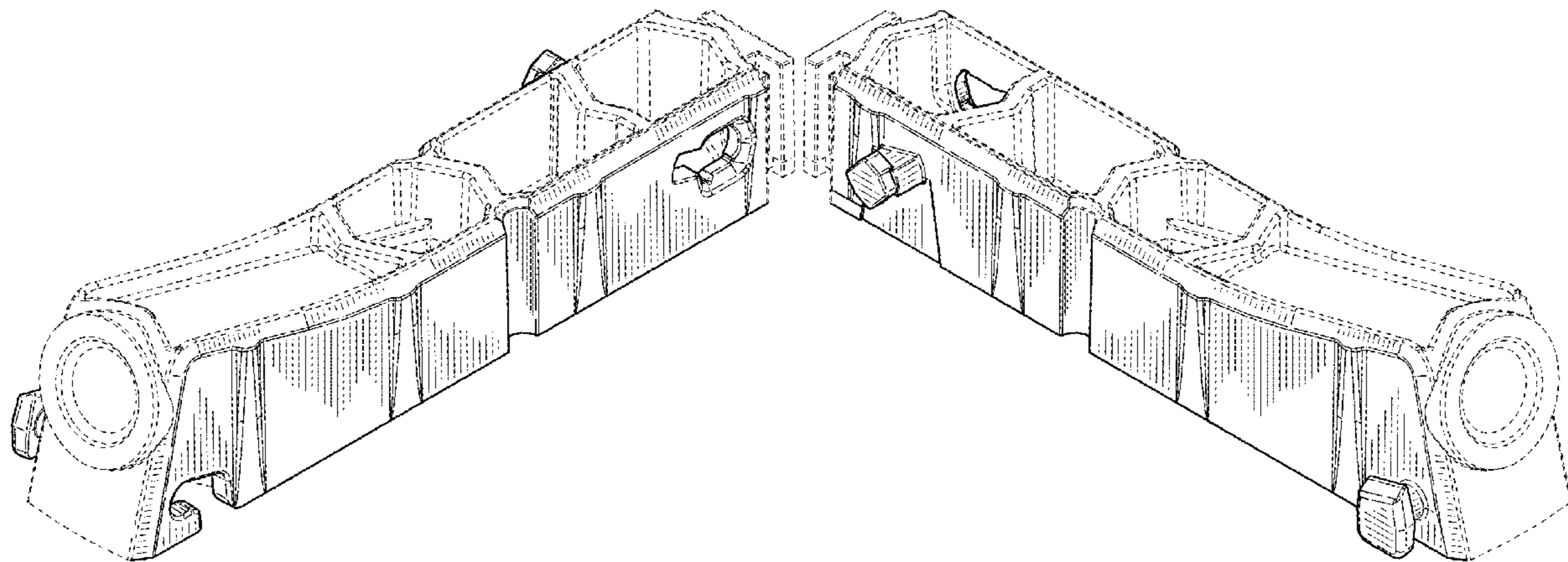




US00D898785S

(12) **United States Design Patent** (10) **Patent No.:** **US D898,785 S**
Schaaf et al. (45) **Date of Patent:** **** Oct. 13, 2020**

- (54) **MINI POCKET HOLE JIG** 6,726,411 B2 4/2004 Sommerfeld et al.
 D503,415 S 3/2005 Dembicks
- (71) Applicant: **Kreg Enterprises, Inc.**, Huxley, IA (US) 6,955,508 B1 10/2005 Radcliffe
 D528,930 S 9/2006 Degen
 7,101,123 B1 9/2006 Weinstein et al.
 7,134,814 B1 11/2006 Park
 D567,269 S 4/2008 Sion
 7,374,373 B1 5/2008 Park et al.
 7,484,914 B1 2/2009 Weinstein et al.
 7,597,513 B2 10/2009 Chang
 7,670,089 B2 3/2010 Chiang
 7,798,750 B2* 9/2010 Clark B23B 47/287
 408/103
- (72) Inventors: **Scott Schaaf**, Ankeny, IA (US);
Timothy J. Forbes, Ankeny, IA (US);
Neil M. Holland, Slater, IA (US);
Brian Hill, Ames, IA (US)
- (73) Assignee: **KREG ENTERPRISES, INC.**, Huxley, IA (US) 8,052,358 B2 11/2011 McDaniel et al.
 8,083,443 B1 12/2011 Circosta et al.
 D651,885 S 1/2012 Banasik
 8,087,853 B2 1/2012 Stukuls
 8,231,313 B2 7/2012 Sommerfeld et al.
 8,840,345 B1 9/2014 Park
 9,682,430 B2 6/2017 Clark
 9,782,837 B2 10/2017 Pelkey
 D809,032 S * 1/2018 Cummings D15/140
 D809,578 S * 2/2018 Cummings D15/140
 9,969,011 B1 5/2018 Marusiak
 9,969,042 B2 5/2018 Clark
 10,022,808 B2 7/2018 Chang
 10,144,068 B1 12/2018 Poole
 10,173,269 B2 1/2019 Cattaneo
 10,286,458 B2 5/2019 Brigham
 10,315,295 B2 6/2019 Vandenberg
 10,343,222 B2 7/2019 Schwagerle et al.
 10,357,831 B2 7/2019 Evatt et al.
 D872,147 S * 1/2020 Hall D15/140
 D872,554 S * 1/2020 Miller D8/74
- (**) Term: **15 Years**
- (21) Appl. No.: **29/689,333**
- (22) Filed: **Apr. 29, 2019**
- Related U.S. Application Data**
- (63) Continuation of application No. 16/397,260, filed on Apr. 29, 2019.
- (60) Provisional application No. 62/664,335, filed on Apr. 30, 2018, provisional application No. 62/785,967, filed on Dec. 28, 2018.
- (51) **LOC (12) Cl.** **15-09**
- (52) **U.S. Cl.**
 USPC **D15/140**
- (58) **Field of Classification Search**
 USPC D8/70, 71, 74; D15/131, 132, 138, 140
 CPC B23B 39/06; B23B 47/28; B23B 47/287;
 B23B 49/04; B23B 2247/10; B23B 2247/12; B23B 2260/0487
 See application file for complete search history.
- (56) **References Cited**
- U.S. PATENT DOCUMENTS**
- 5,322,396 A 6/1994 Blacker
 5,676,500 A 10/1997 Sommerfeld
 5,791,835 A 8/1998 Chlang et al.
 6,254,320 B1 7/2001 Weinstein et al.
 6,394,712 B1 5/2002 Weinstein et al.
 6,599,064 B1 7/2003 Robinson
- 2003/0123941 A1 7/2003 Emerson
 2004/0253065 A1 12/2004 Davis
 2005/0089381 A1 4/2005 Liu et al.
 2006/0228180 A1 10/2006 Sommerfeld
 2007/0201961 A1 8/2007 Chiang
 2007/0280797 A1 12/2007 McDaniel et al.
 2008/0075546 A1 3/2008 Lin
 2008/0099101 A1 5/2008 Chiang
 2008/0187404 A1* 8/2008 Chiang B23B 47/287
 408/115 R
 2008/0219786 A1* 9/2008 Sommerfeld B23B 47/287
 408/115 R
- 2011/0150587 A1 6/2011 Stukuls
 2012/0051865 A1 3/2012 Liu
 2016/0158850 A1 6/2016 Fisher
 2017/0087644 A1 3/2017 Pelkey
 2018/0071835 A1* 3/2018 Poole B23B 47/287
 2018/0141133 A1 5/2018 Clark
 2018/0185930 A1 7/2018 Duginske



2018/0214959	A1*	8/2018	Evatt	B23B 47/287
2018/0214960	A1	8/2018	Evatt et al.	
2018/0290217	A1	10/2018	Asimakis	
2018/0345385	A1	12/2018	Yates et al.	
2019/0015903	A1	1/2019	Schleicher	
2019/0030619	A1	1/2019	Thackery	
2019/0047058	A1	2/2019	Pikarski et al.	
2019/0054547	A1	2/2019	Pikarski et al.	
2019/0111499	A1	4/2019	Evatt et al.	
2019/0126360	A1	5/2019	Marra, Jr.	
2019/0176247	A1	6/2019	Chang	
2019/0217402	A1	7/2019	Brigham	
2019/0329329	A1*	10/2019	Schaaf	B23B 47/287
2019/0344362	A1*	11/2019	Hall	B23B 47/28

FOREIGN PATENT DOCUMENTS

AU	8345001	A	3/2002
AU	2014295887	A1	2/2016
AU	2018101034	A4	8/2018
CA	3012668		1/2019
DE	102004023343	A1	12/2005
DE	202006005977	U1	8/2006
DE	60125047	T2	7/2007
DE	202012103274	U1	9/2012
DE	202017101885	U1	5/2017
DE	202018104374	U1	9/2018
DE	102004023343		1/2019
DE	102017115668		1/2019
EP	1712315	A1	10/2006
EP	1311364	B1	12/2006
EP	1595627	B1	4/2008
EP	2512763	A2	10/2012
EP	2223762	B1	7/2015
EP	3027364	A1	6/2016
EP	3391984	A1	10/2018
EP	3444057		2/2019
EP	3444058		2/2019
EP	3446817		2/2019
GB	2346573		8/2000
GB	2496473	A	5/2013
GB	201806455		10/2018
GB	2564944		1/2019
GB	2567053		4/2019
GB	2567056		4/2019

* cited by examiner

Primary Examiner — Patricia A Palasik
(74) Attorney, Agent, or Firm — Christopher A. Proskey;
BrownWinick Law Firm

(57) CLAIM

The ornamental design for a mini pocket hole jig, as shown and described.

DESCRIPTION

FIG. 1 is a top elevational view of a mini pocket hole jig;
FIG. 2 is a bottom elevational view of a mini pocket hole jig;
FIG. 3 is a side elevational view of a mini pocket hole jig;
FIG. 4 is another side elevational view of a mini pocket hole jig;
FIG. 5 is a rear elevational view of a mini pocket hole jig;
FIG. 6 is a front elevational view of a mini pocket hole jig;

FIG. 7 is a top rear perspective view of a mini pocket hole jig;
FIG. 8 is another top rear perspective view of a mini pocket hole jig;
FIG. 9 is a bottom rear perspective view of a mini pocket hole jig;
FIG. 10 is another bottom rear perspective view of a mini pocket hole jig;
FIG. 11 is a top front perspective view of a mini pocket hole jig;
FIG. 12 is another top front perspective view of a mini pocket hole jig;
FIG. 13 is a bottom front perspective view of a mini pocket hole jig;
FIG. 14 is another bottom front perspective view of a mini pocket hole jig;
FIG. 15 is a top rear perspective view of a mini pocket hole jig, shown in connection with an attached tail section, as shown in dashed lines for intended use purposes;
FIG. 16 is another top rear perspective view of a mini pocket hole jig, shown in connection with an attached tail section, as shown in dashed lines for intended use purposes;
FIG. 17 is a bottom rear perspective view of a mini pocket hole jig, shown in connection with an attached tail section, as shown in dashed lines for intended use purposes;
FIG. 18 is a top front perspective view of a mini pocket hole jig, shown in connection with an attached tail section, as shown in dashed lines for intended use purposes;
FIG. 19 is a top rear perspective view of a mini pocket hole jig, shown in partial connection with an attached tail section, as shown in dashed lines for intended use purposes;
FIG. 20 is a top rear perspective view of a mini pocket hole jig, shown in connection with an attached tail section, a spacer, and a second mini pocket hole jig and attached tail section, as shown in dashed lines for intended use purposes;
FIG. 21 is another top rear perspective view of a mini pocket hole jig, shown in connection with an attached tail section, a spacer, and a second mini pocket hole jig and attached tail section, as shown in dashed lines for intended use purposes;
FIG. 22 is bottom rear perspective view of a mini pocket hole jig, shown in connection with an attached tail section, a spacer, and a second mini pocket hole jig and attached tail section, as shown in dashed lines for intended use purposes;
FIG. 23 is a top front perspective view of a mini pocket hole jig, shown in connection with an attached tail section, a spacer, and a second mini pocket hole jig and attached tail section, as shown in dashed lines for intended use purposes; and,
FIG. 24 is a top rear exploded perspective view of a mini pocket hole jig, shown in connection with an attached tail section, a spacer, and a second mini pocket hole jig and attached tail section, as shown in dashed lines for intended use purposes.
The dashed lines shown represent the environment and represent unclaimed subject matter and form no part of the claimed design.

1 Claim, 24 Drawing Sheets

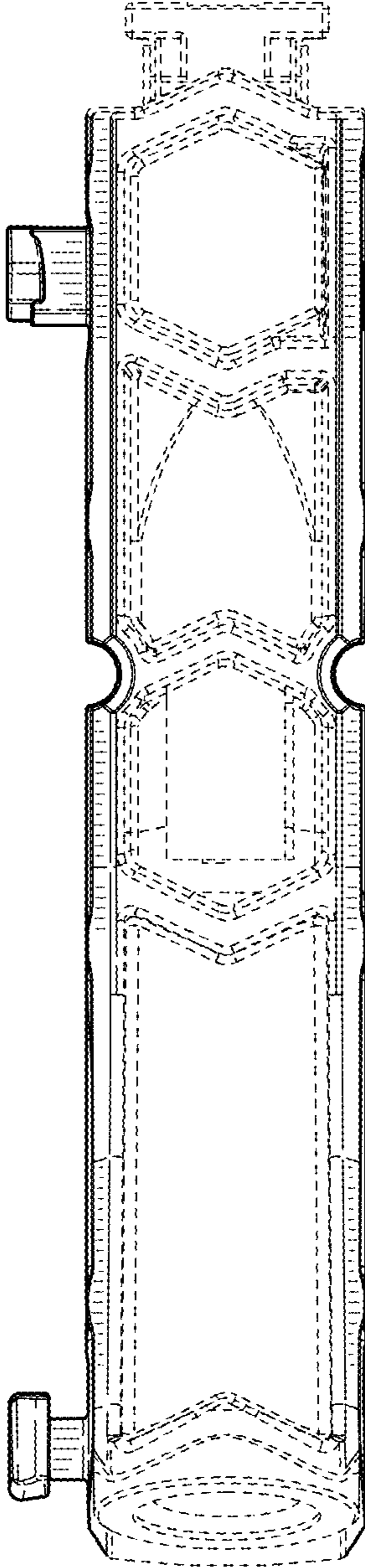


FIG. 1

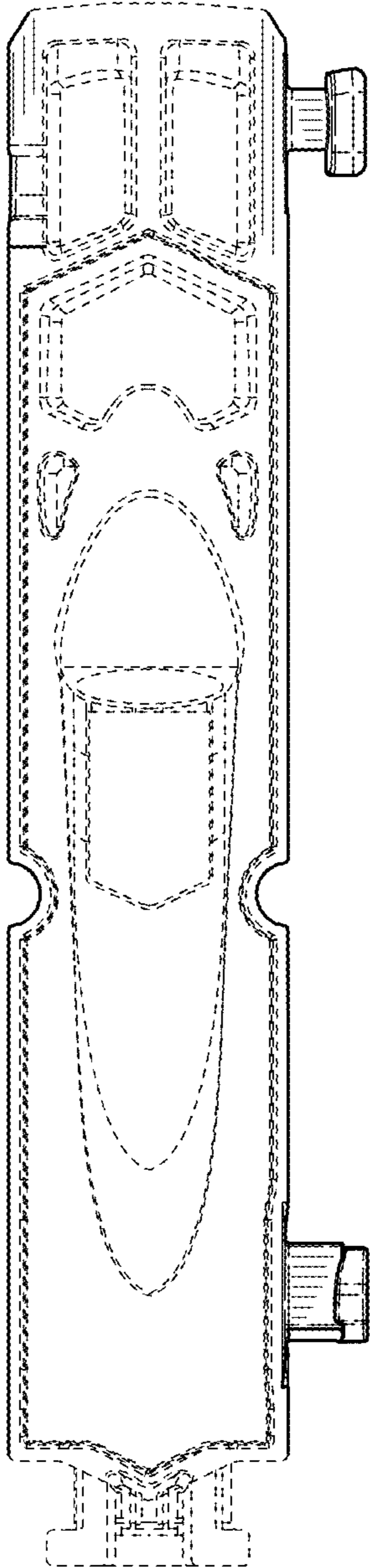


FIG. 2

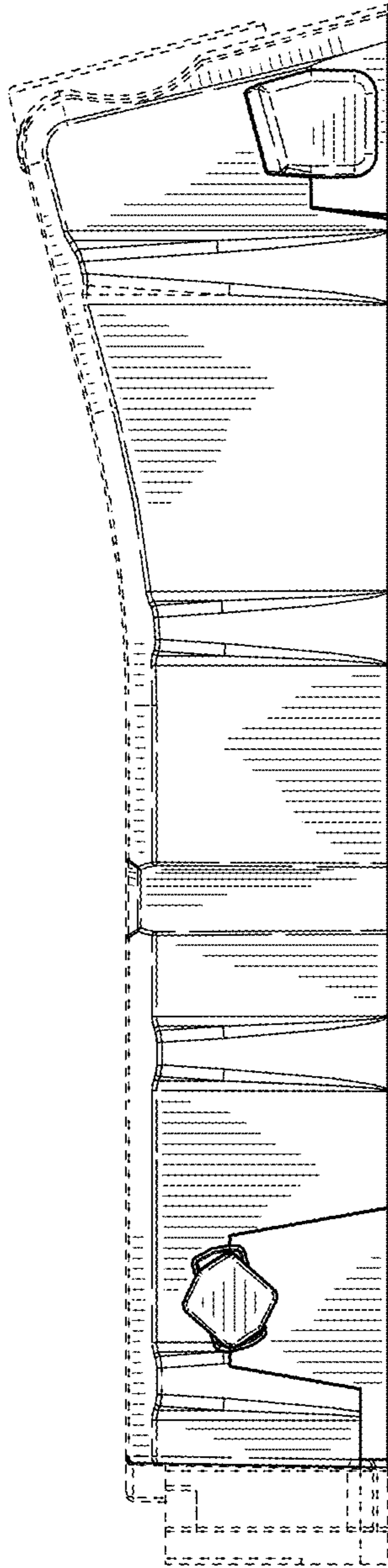


FIG. 3

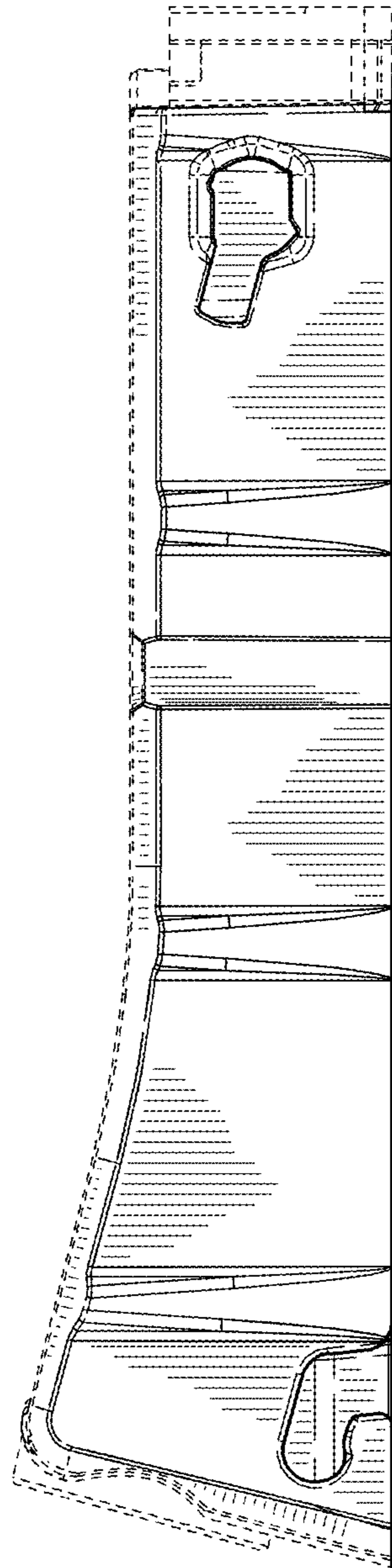


FIG. 4

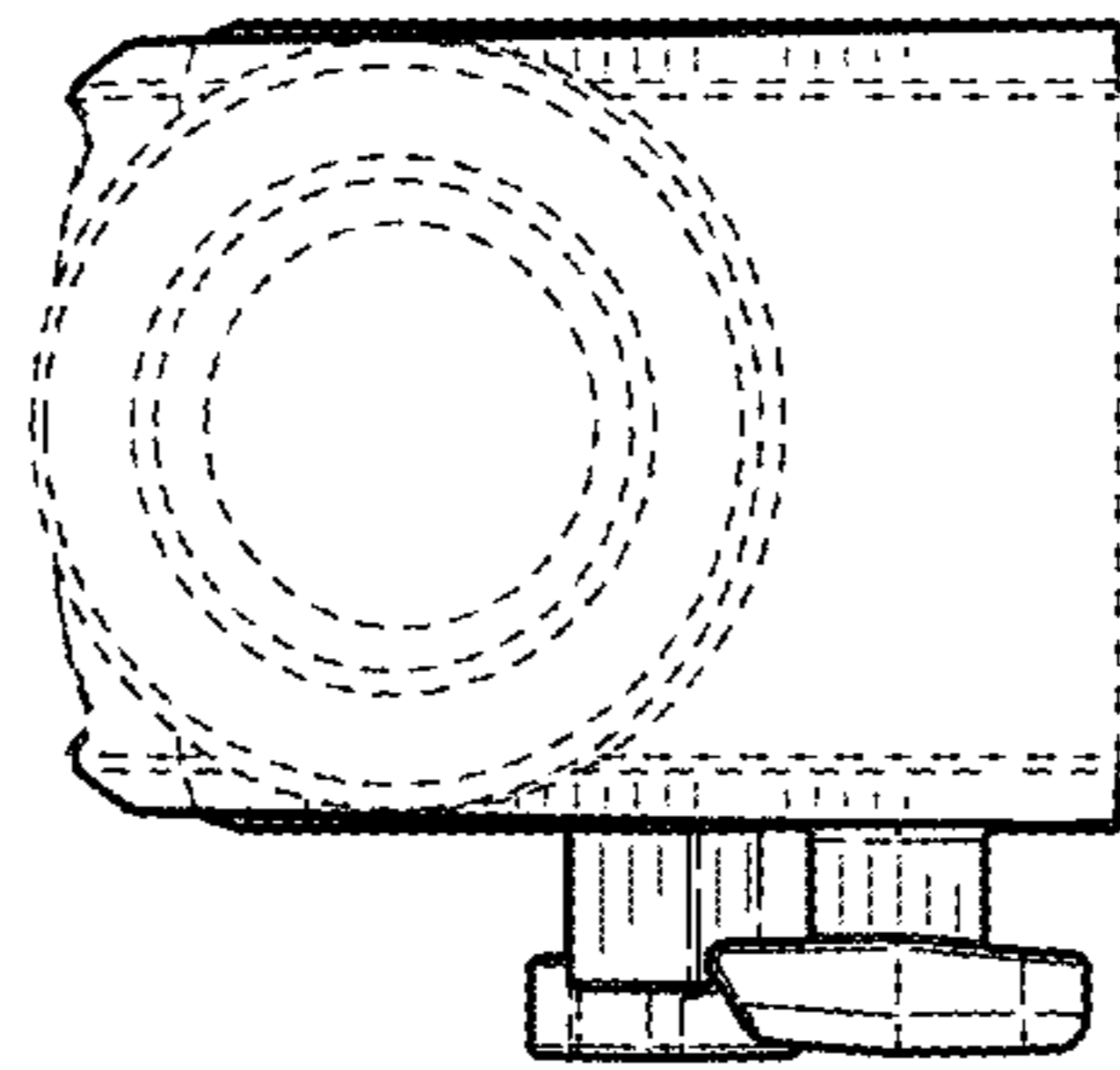


FIG. 5

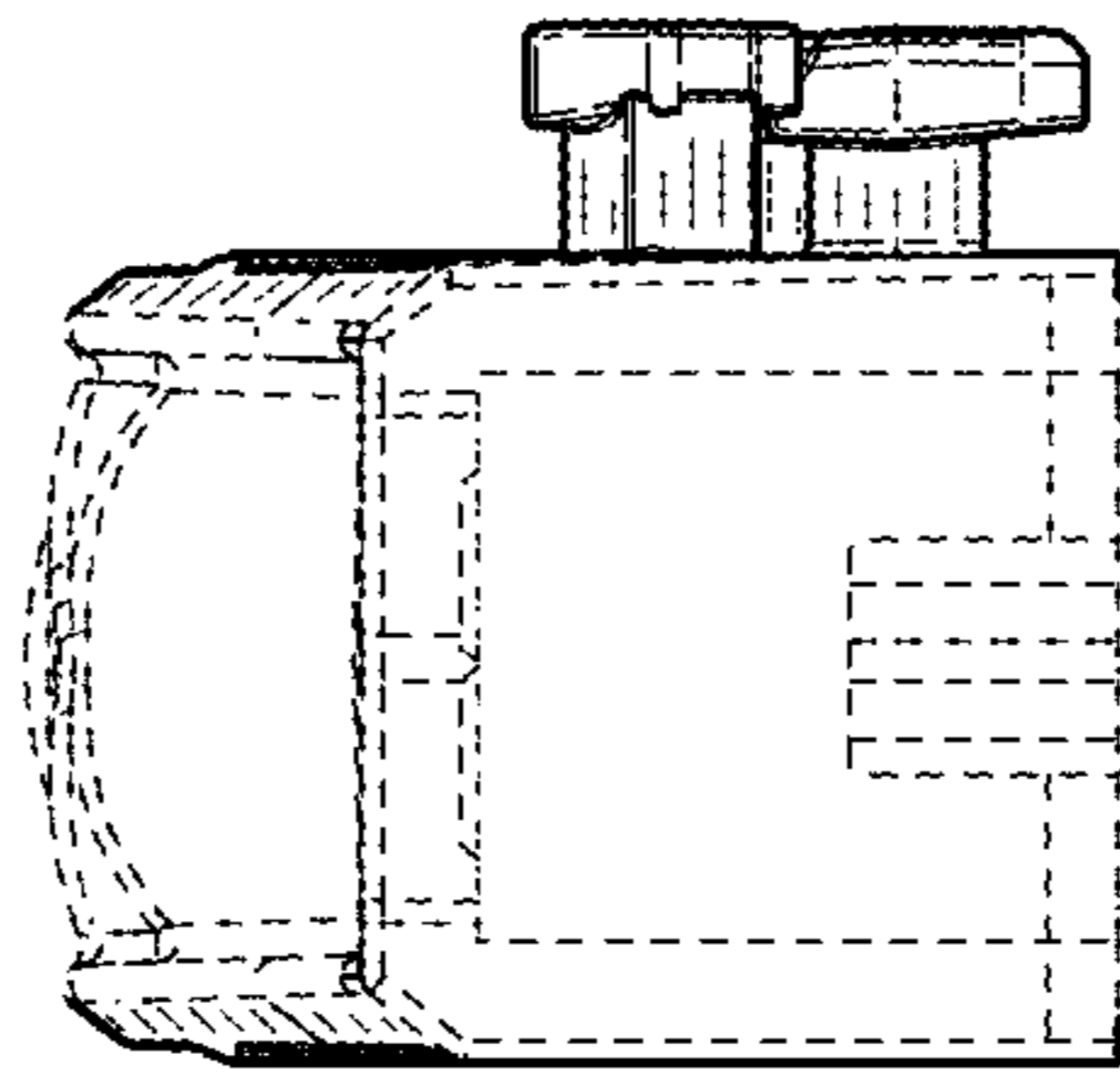


FIG. 6

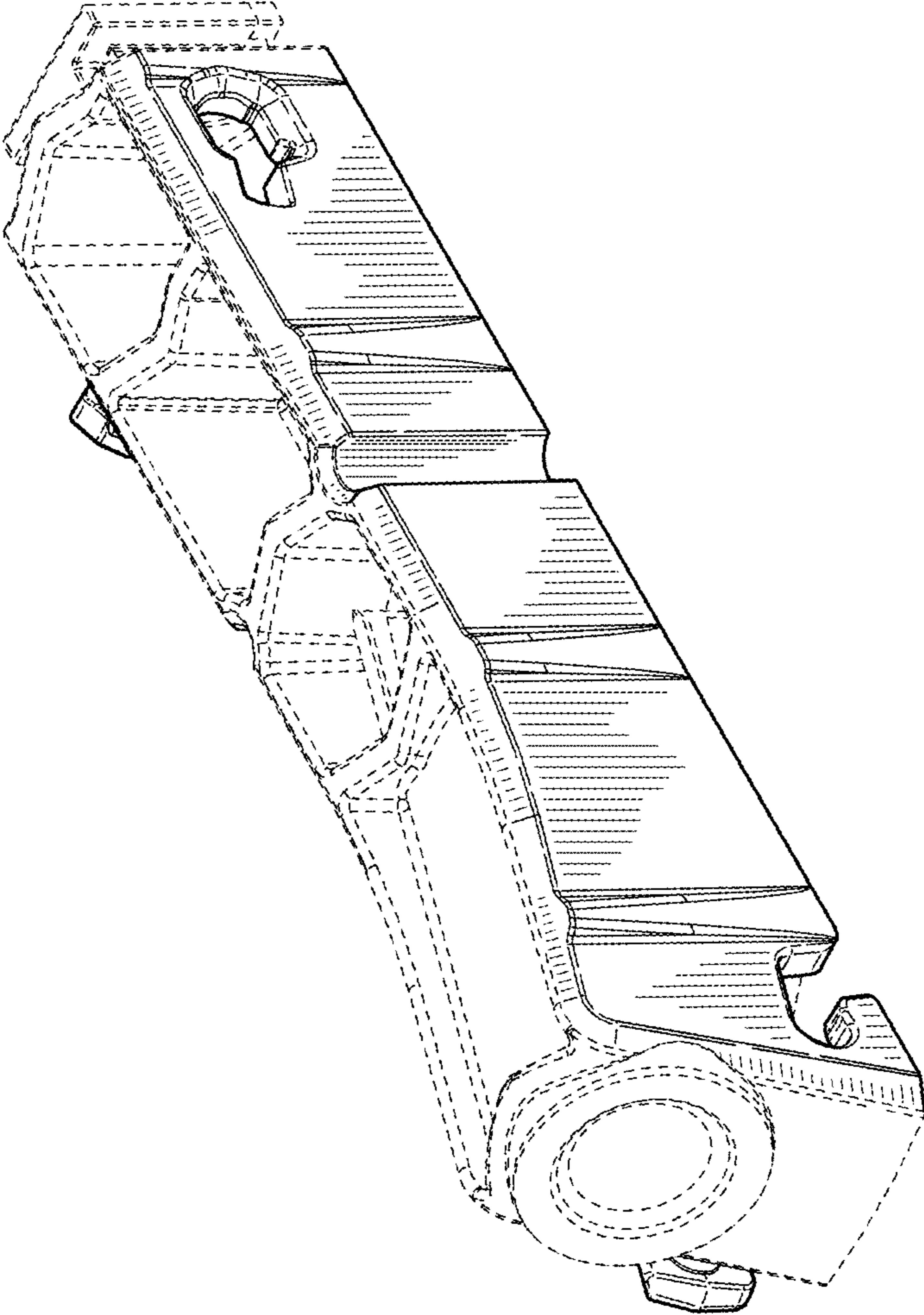


FIG. 7

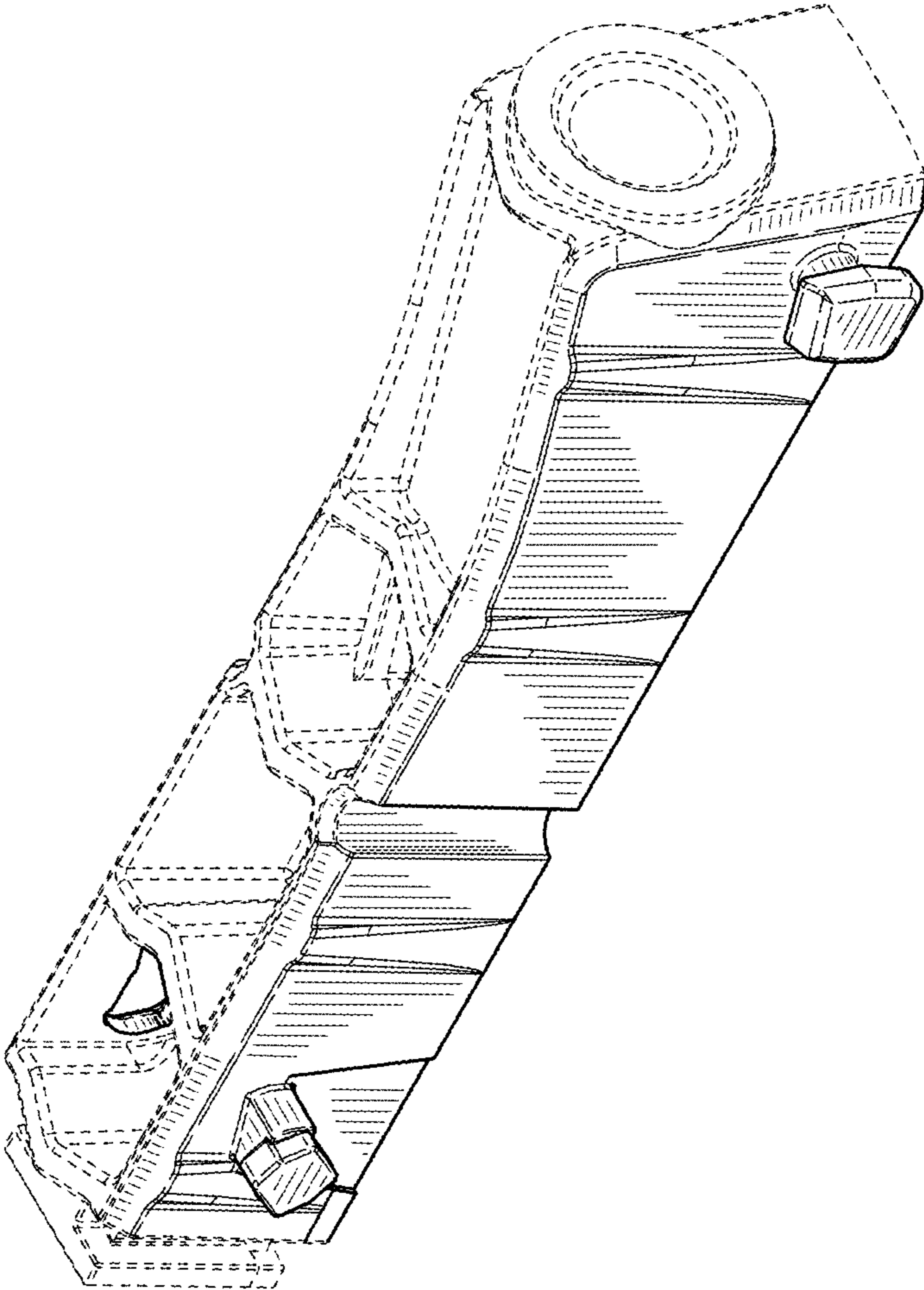


FIG. 8

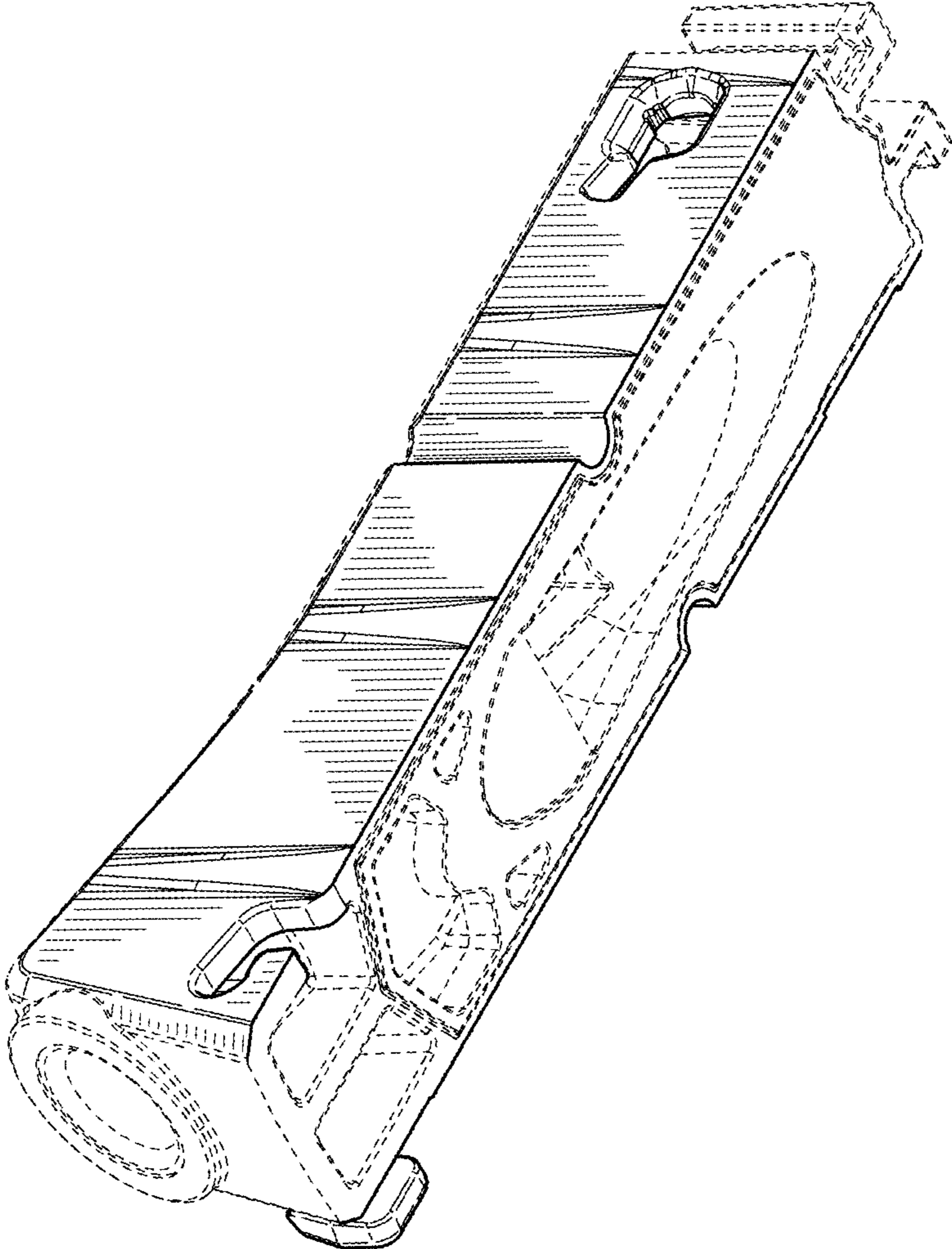


FIG. 9

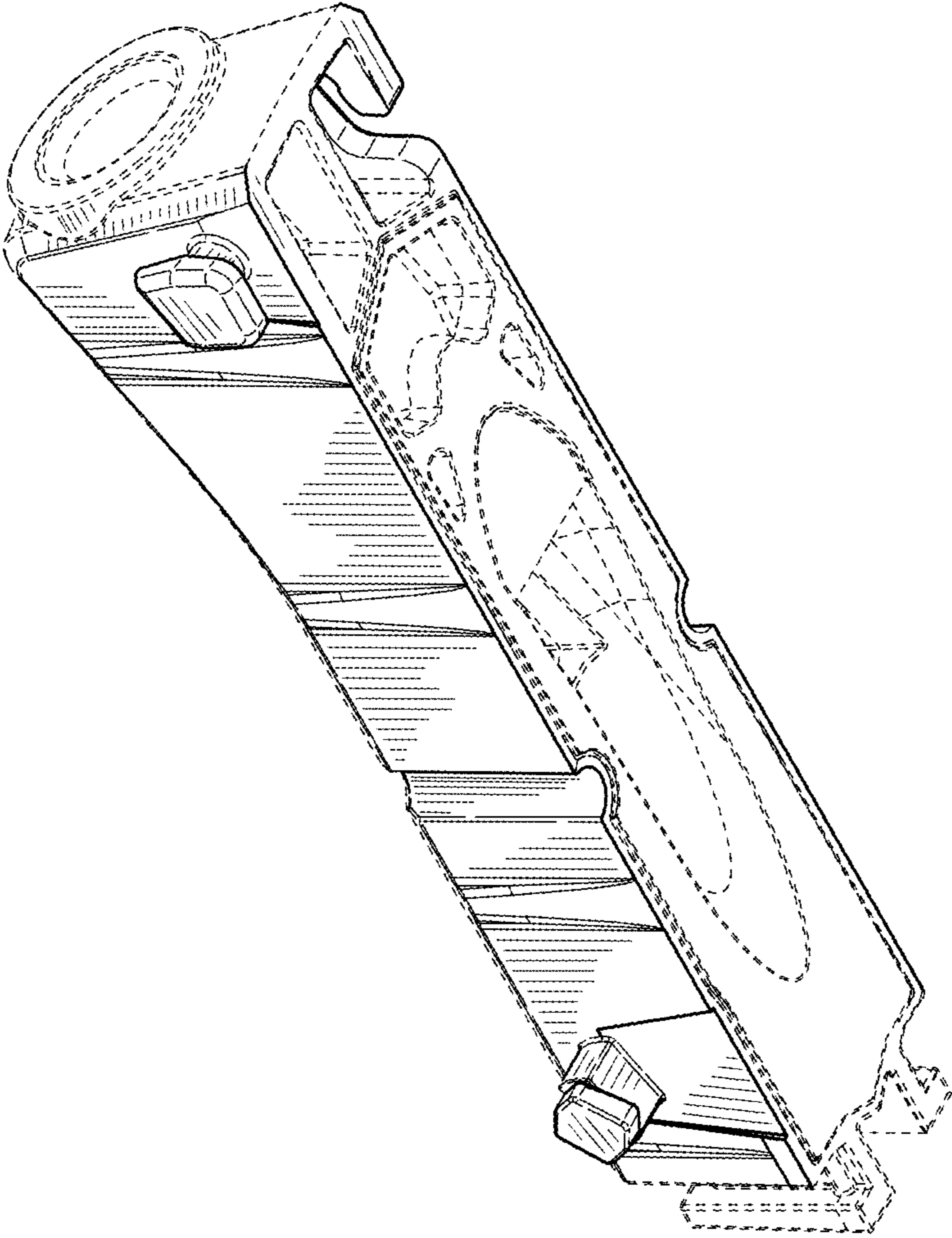


FIG. 10

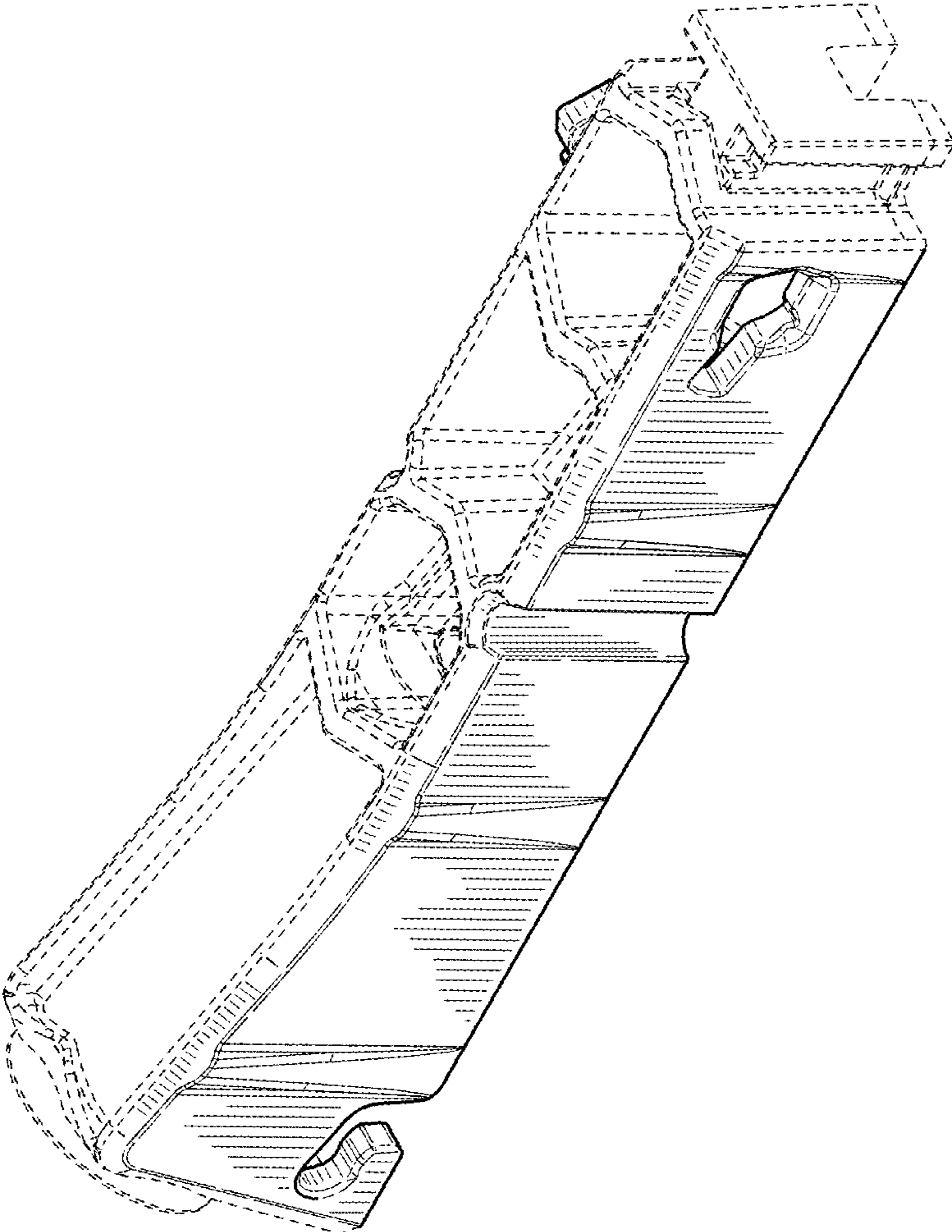


FIG. 11

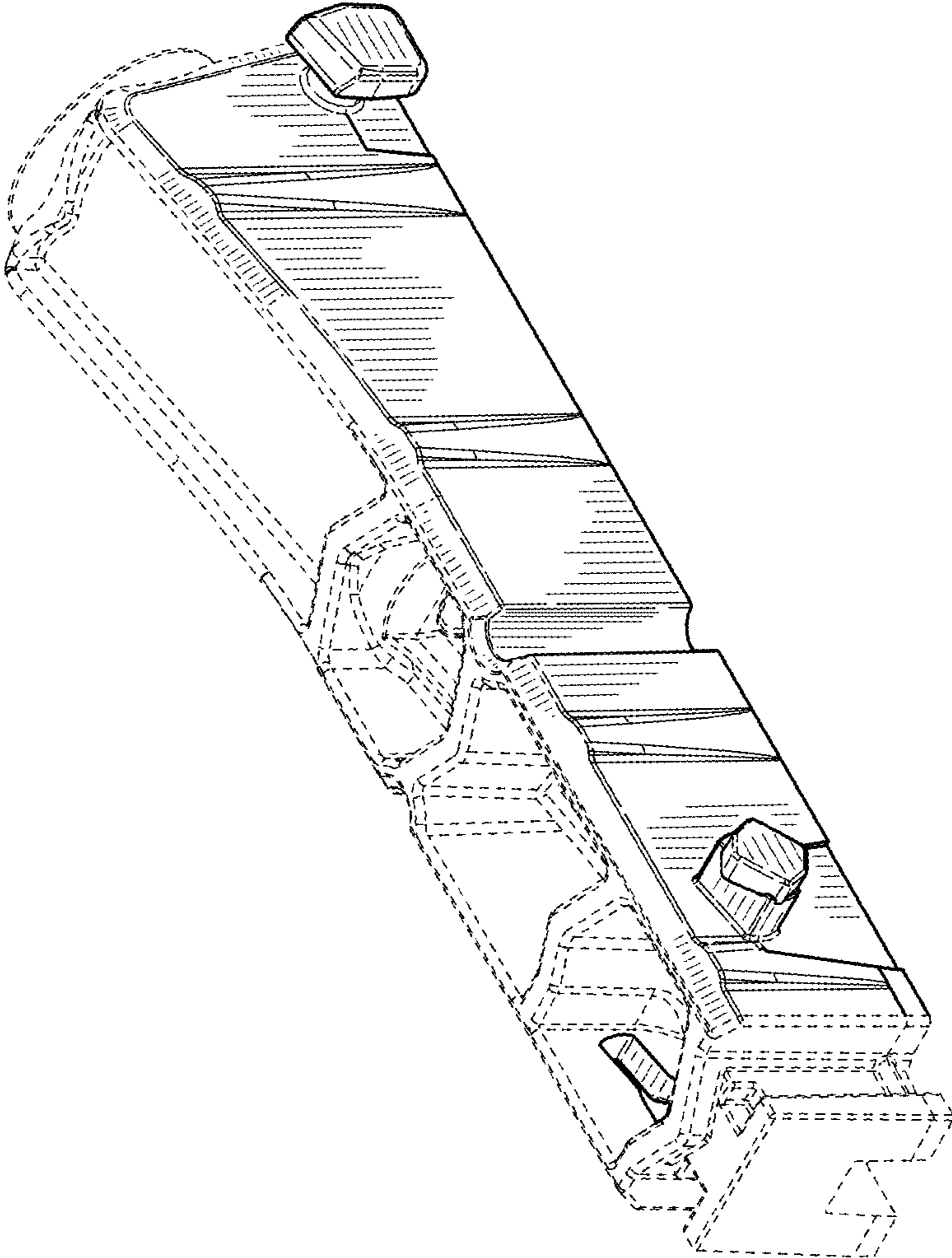


FIG. 12

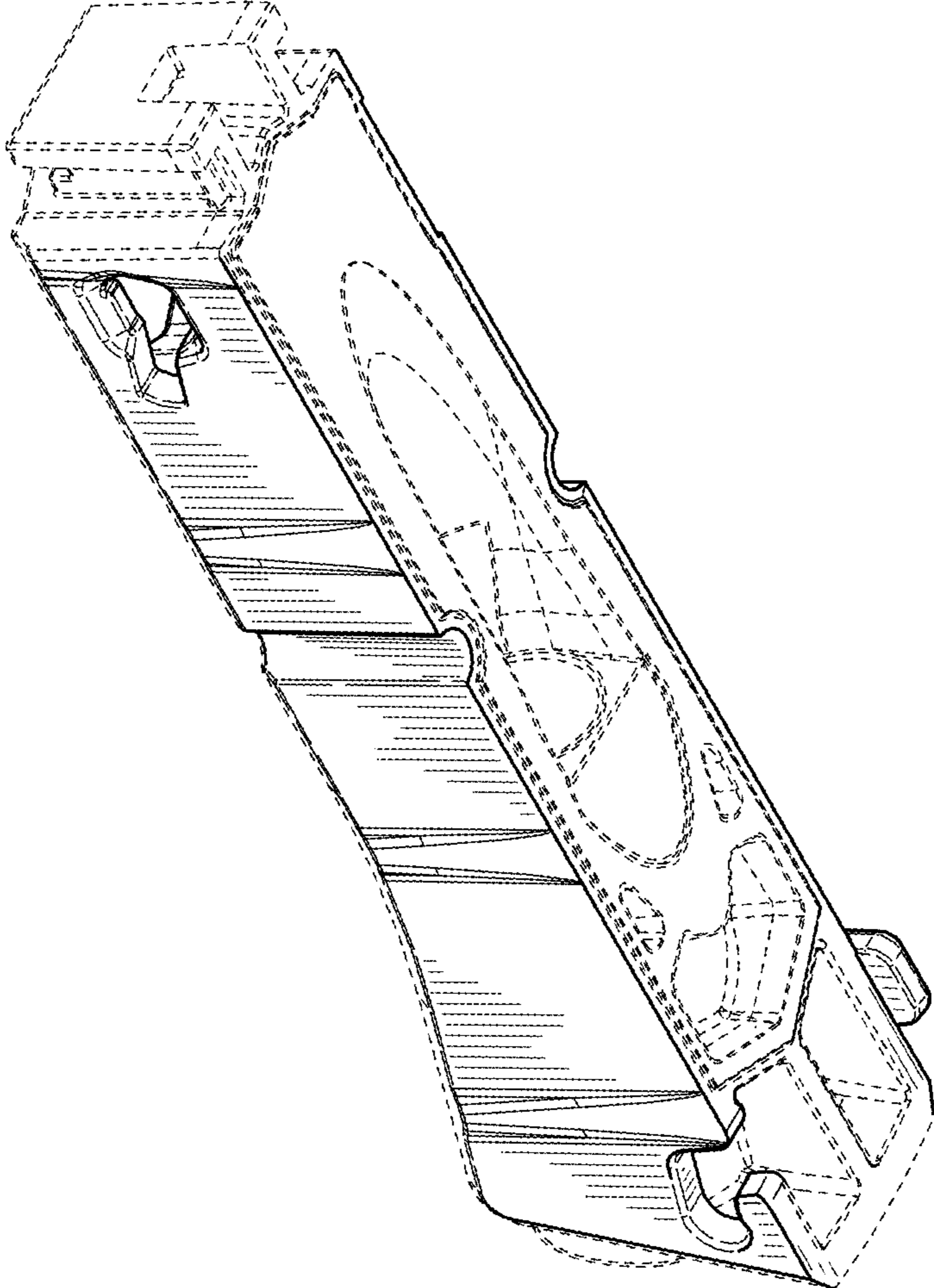


FIG. 13

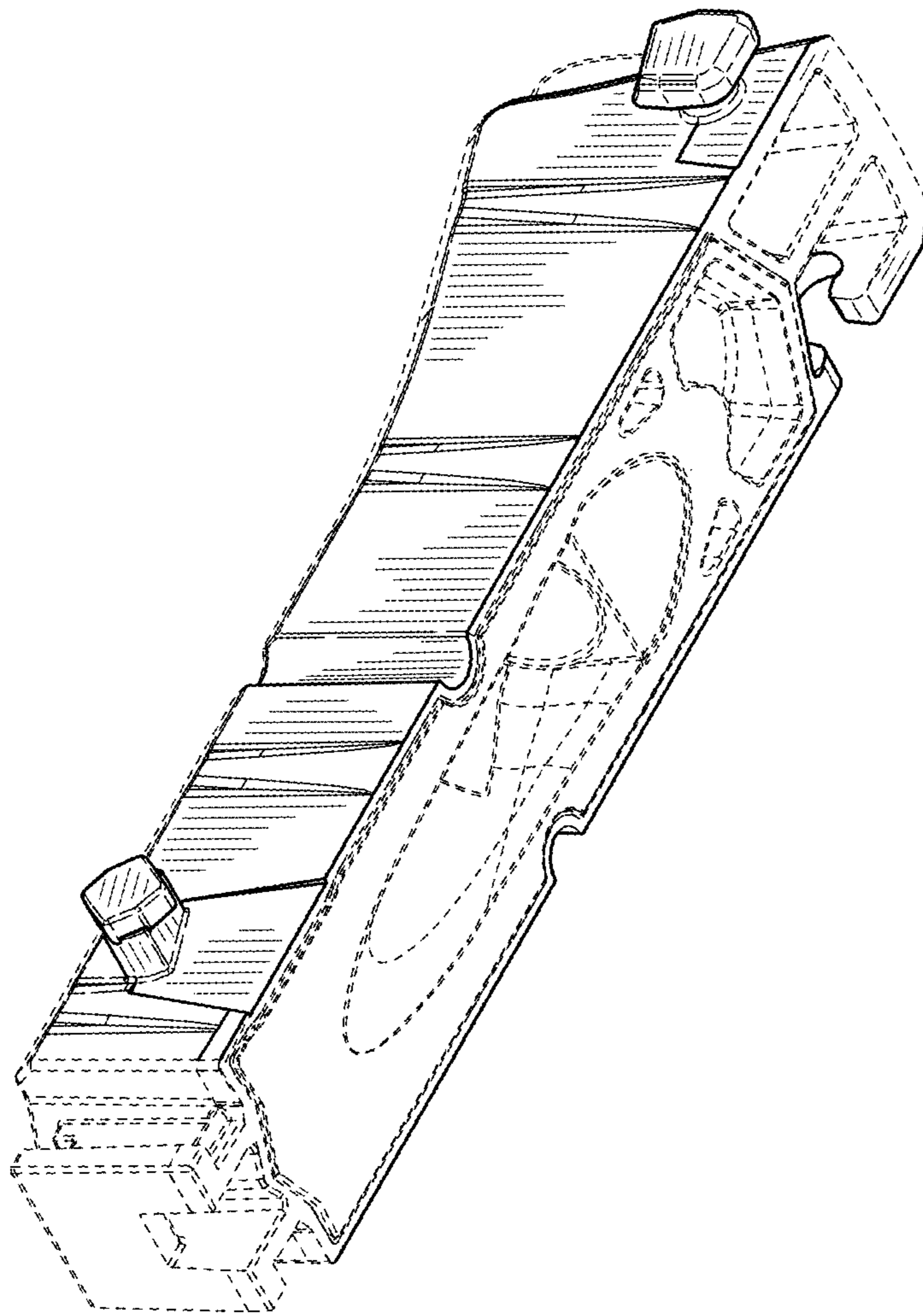


FIG. 14

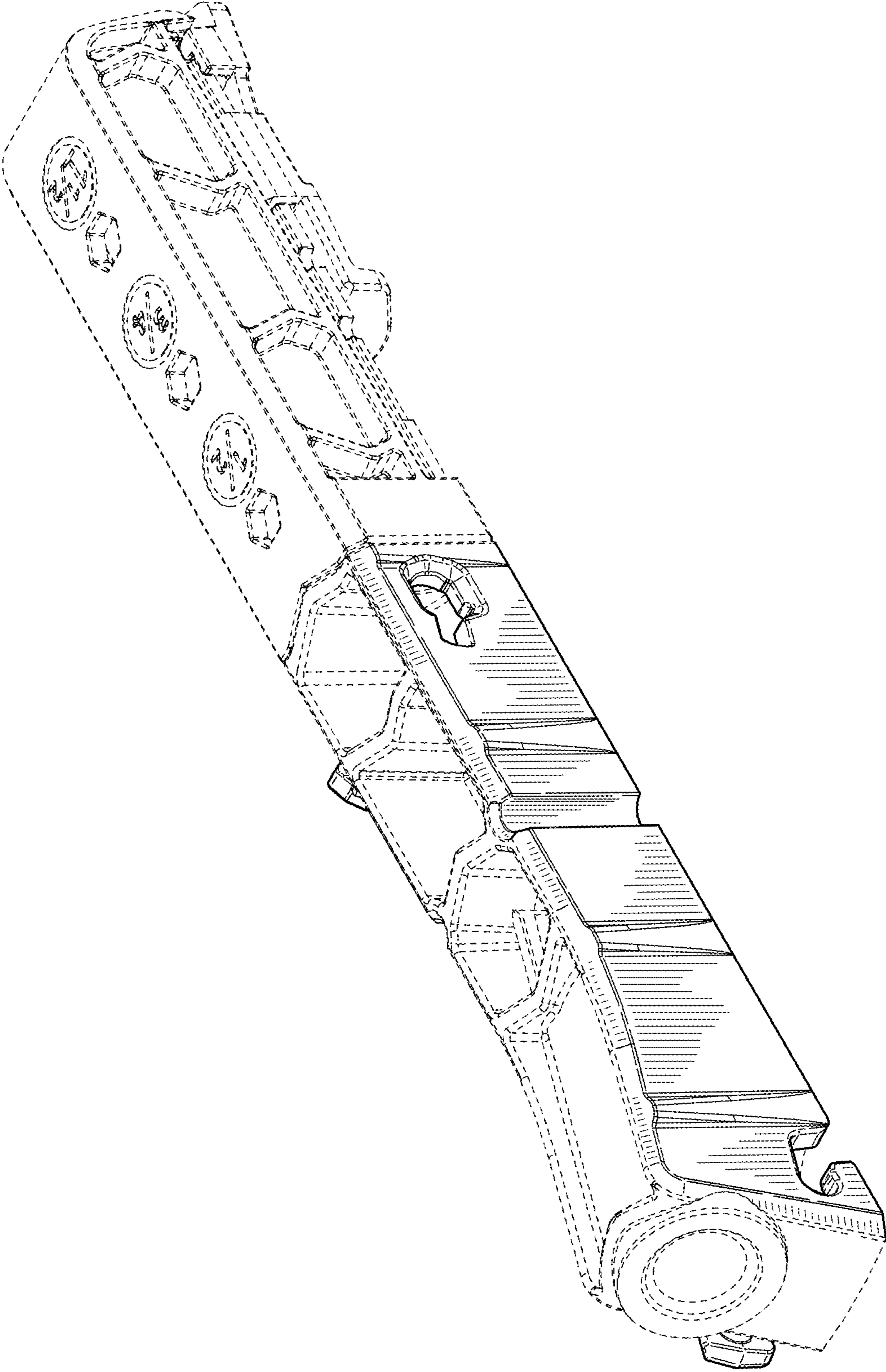


FIG. 15

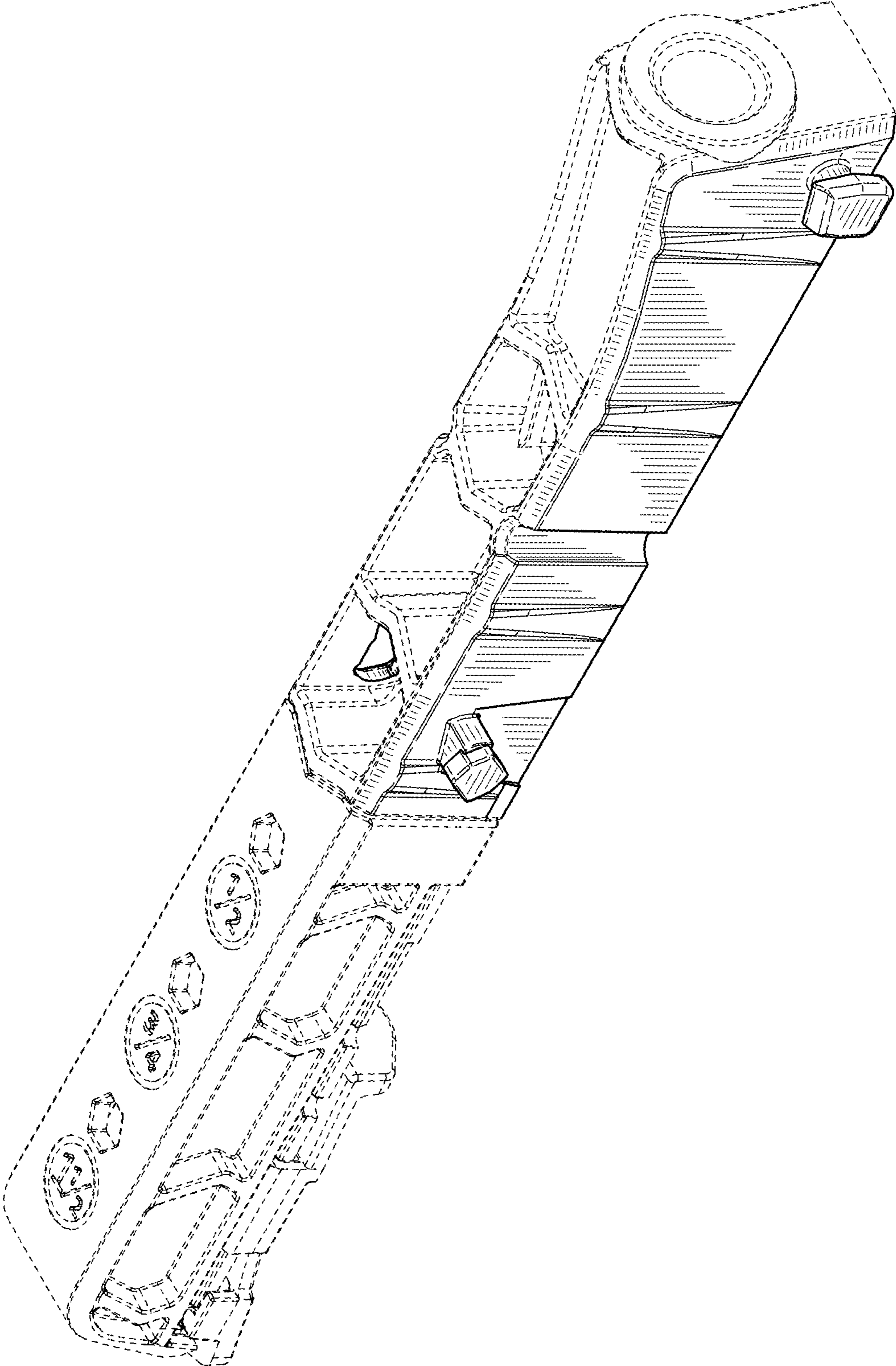


FIG. 16

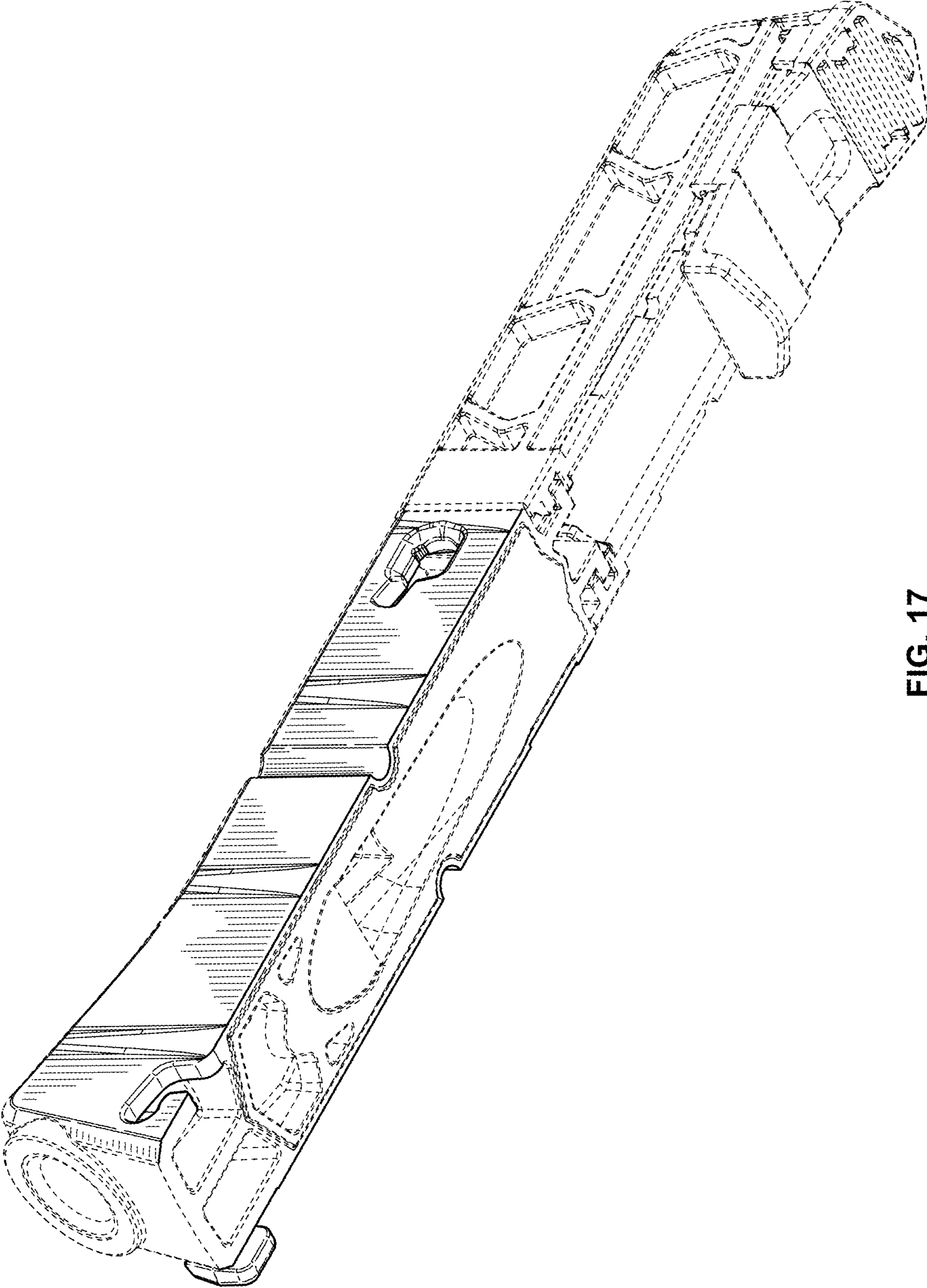


FIG. 17

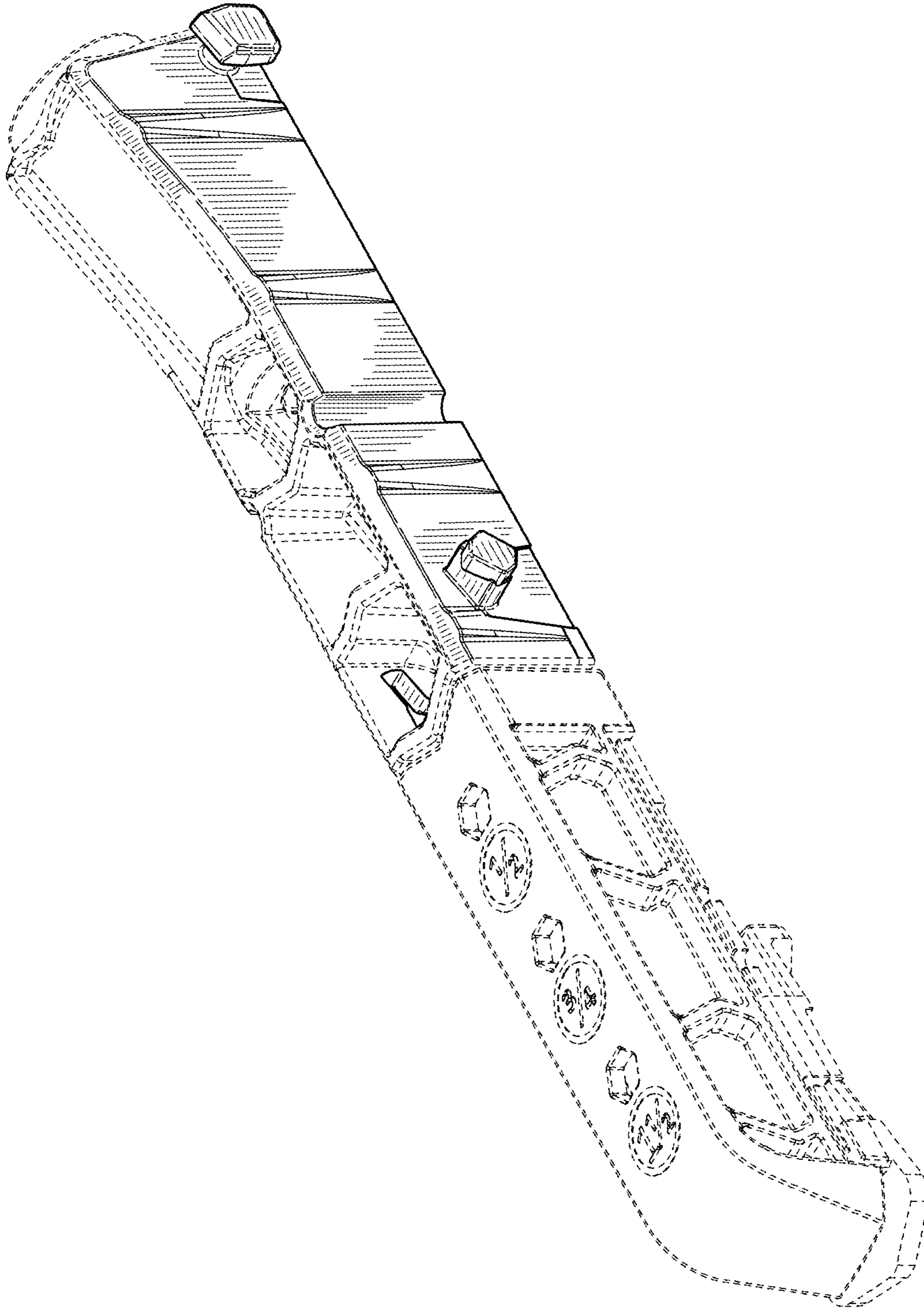


FIG. 18

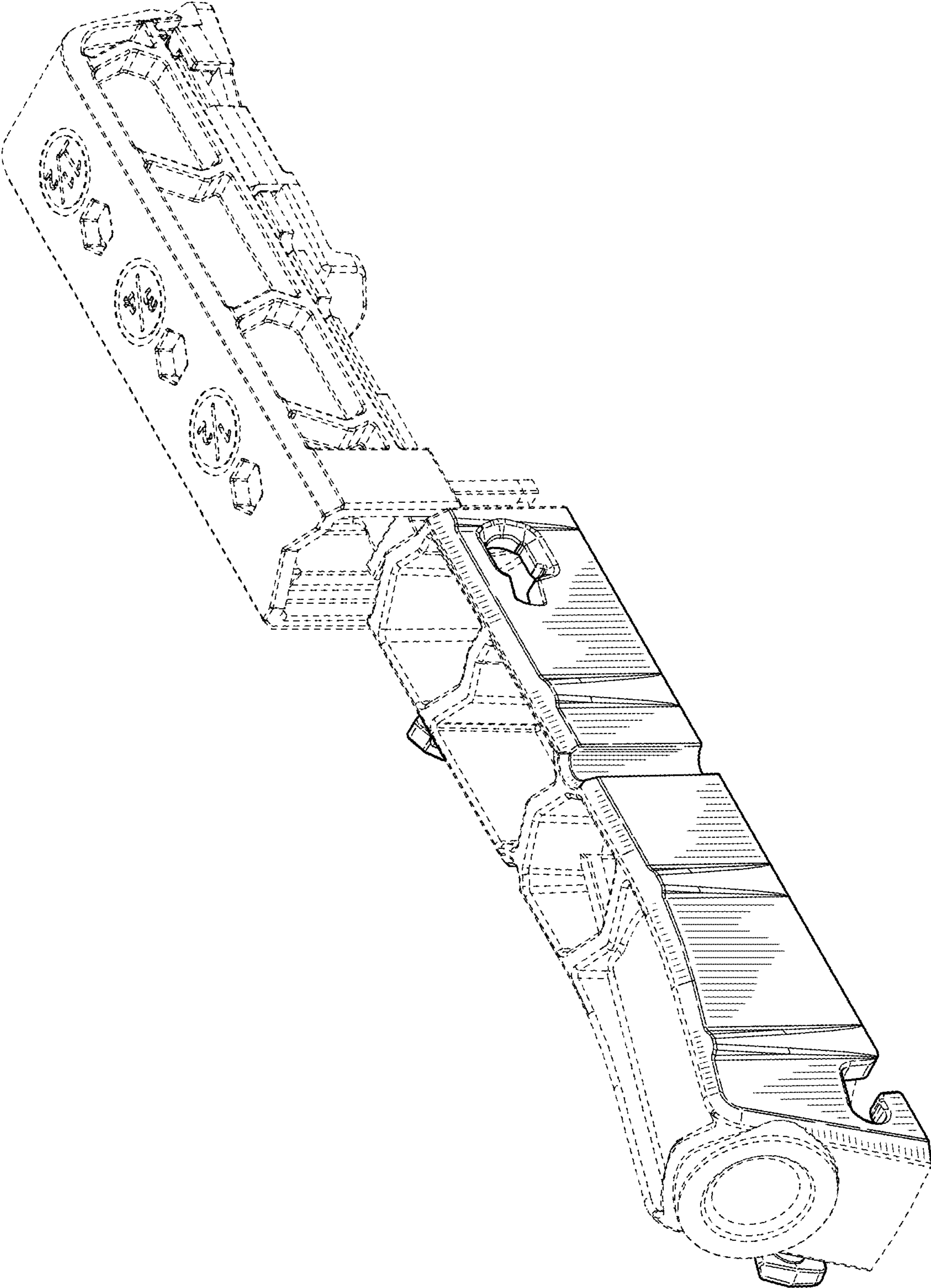


FIG. 19

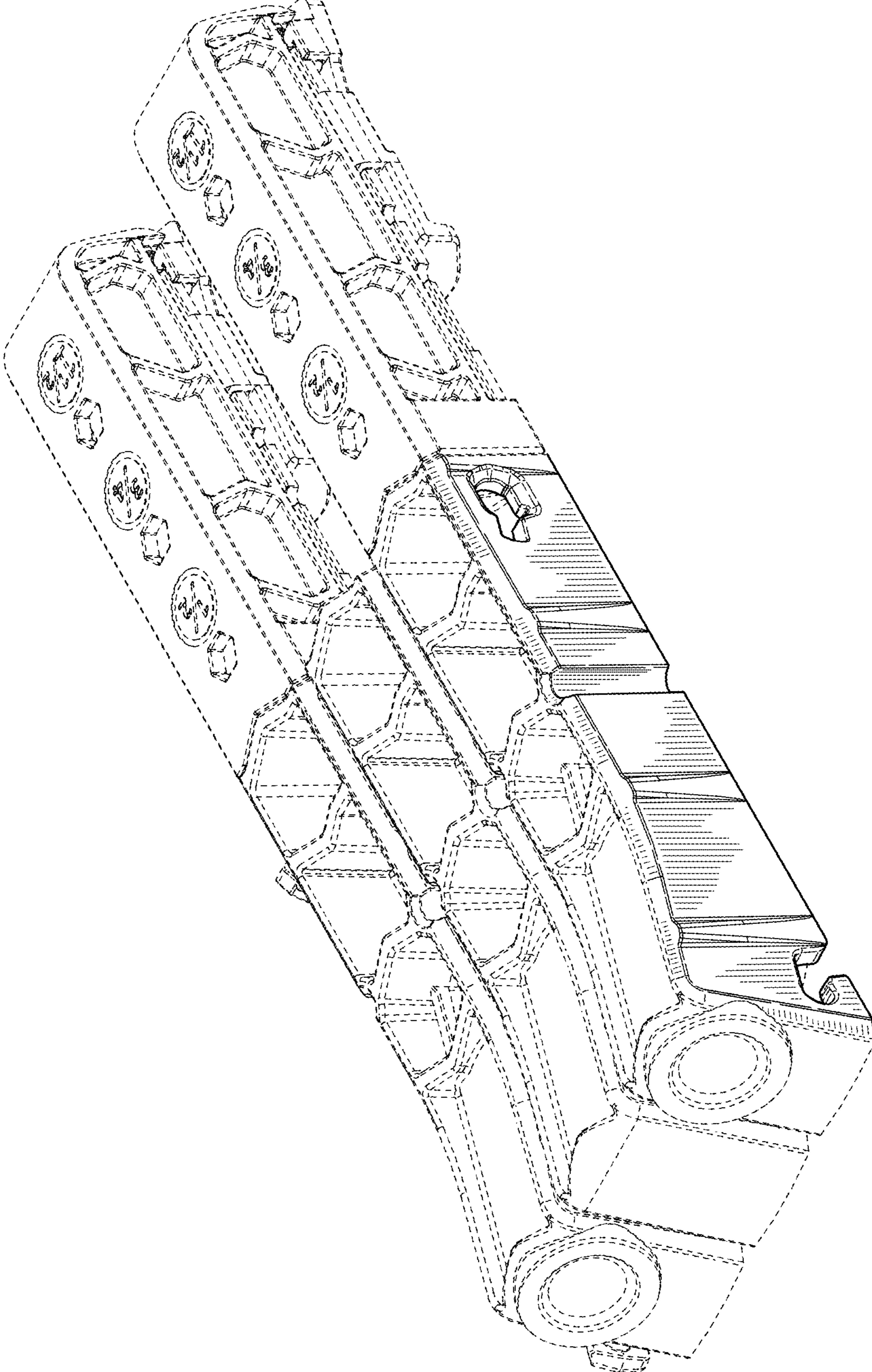


FIG. 20

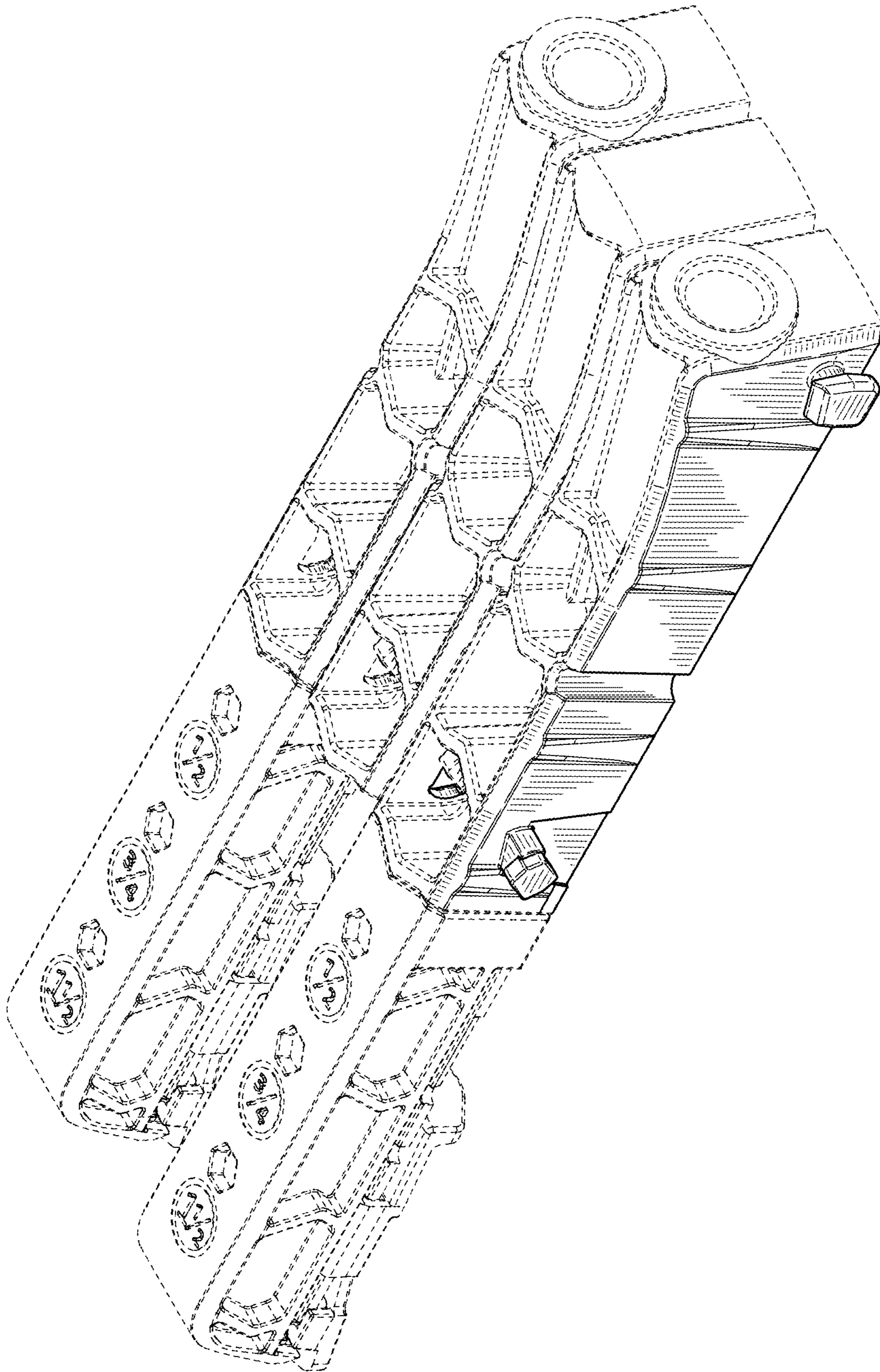


FIG. 21

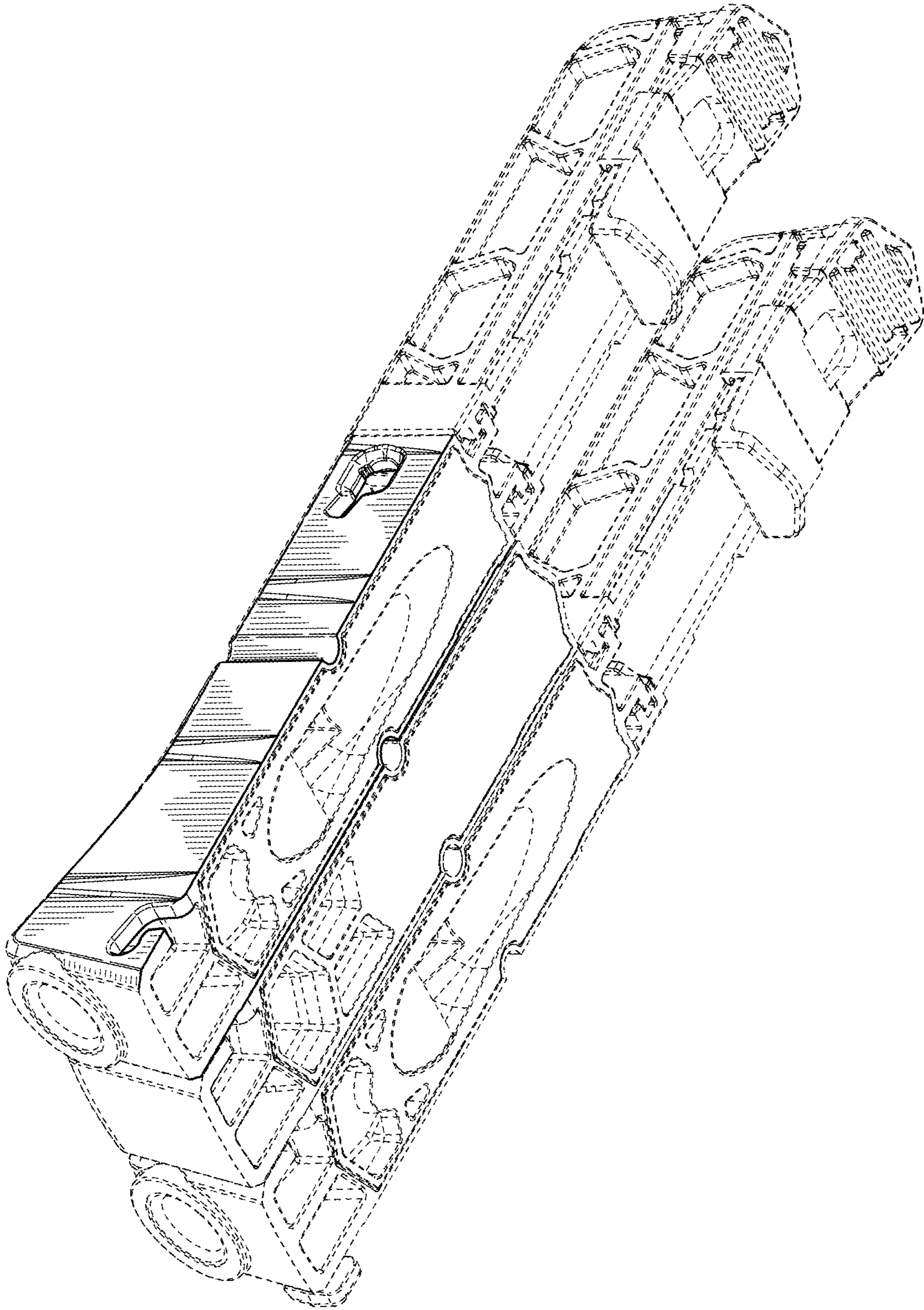


FIG. 22

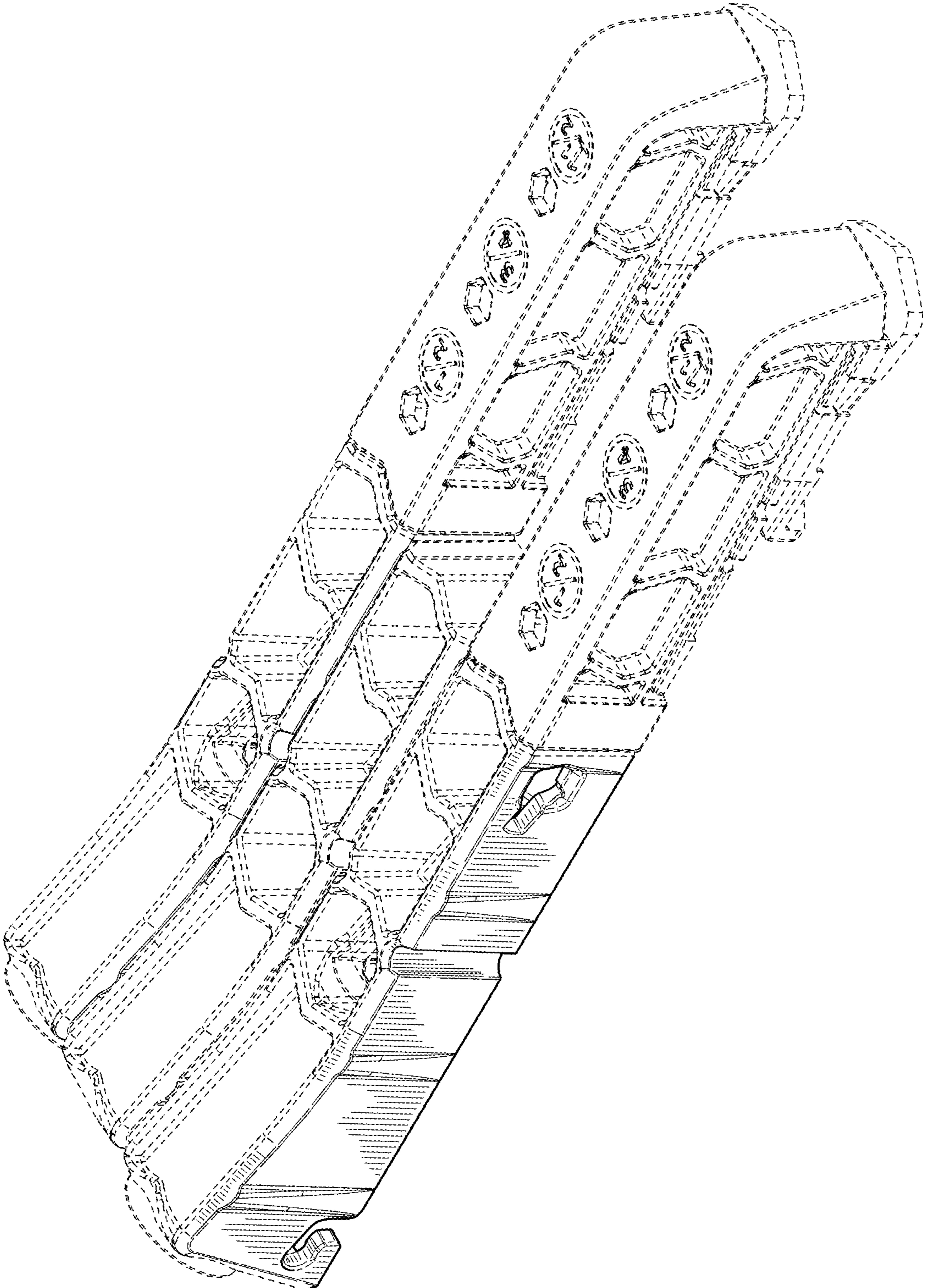


FIG. 23

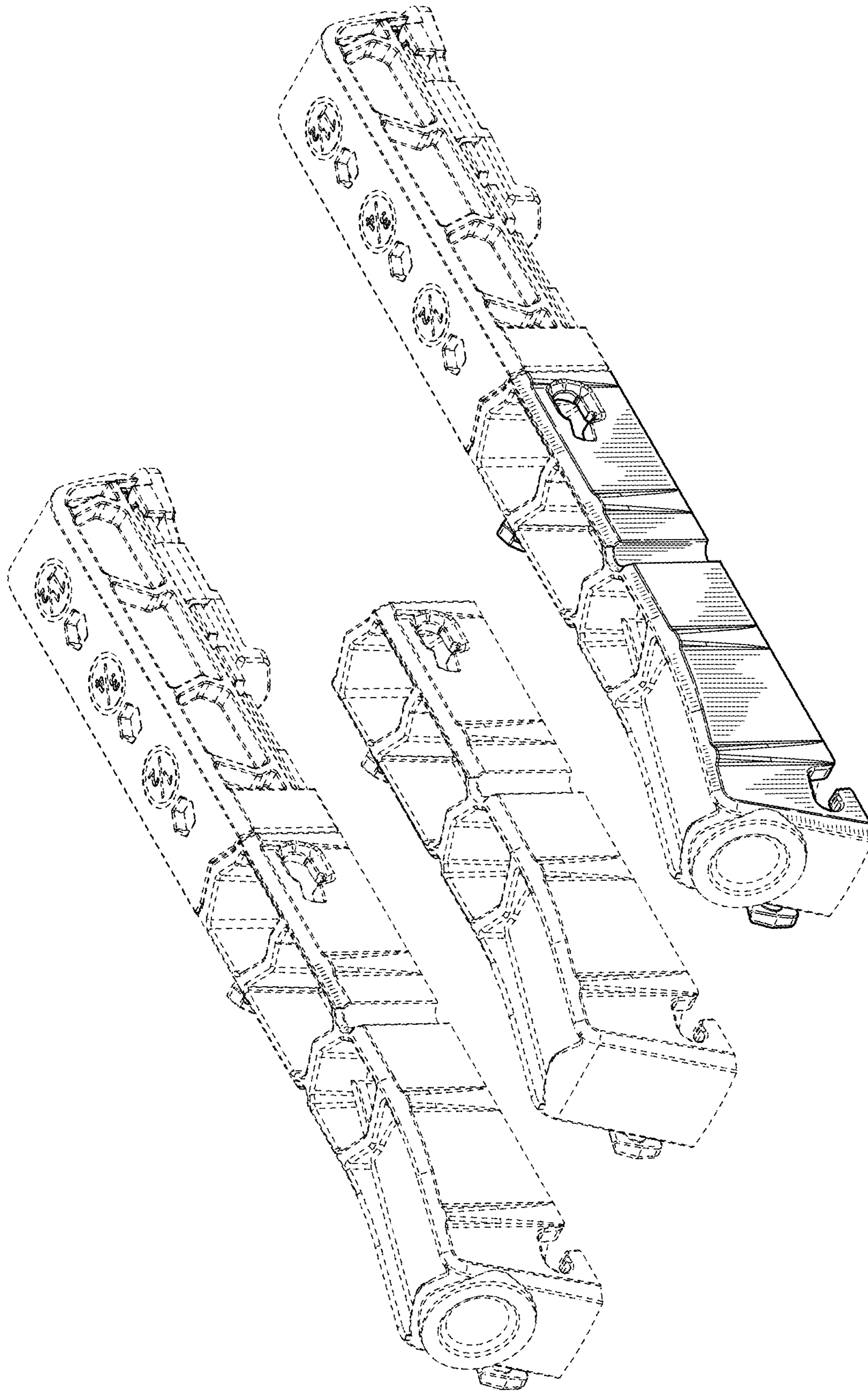


FIG. 24